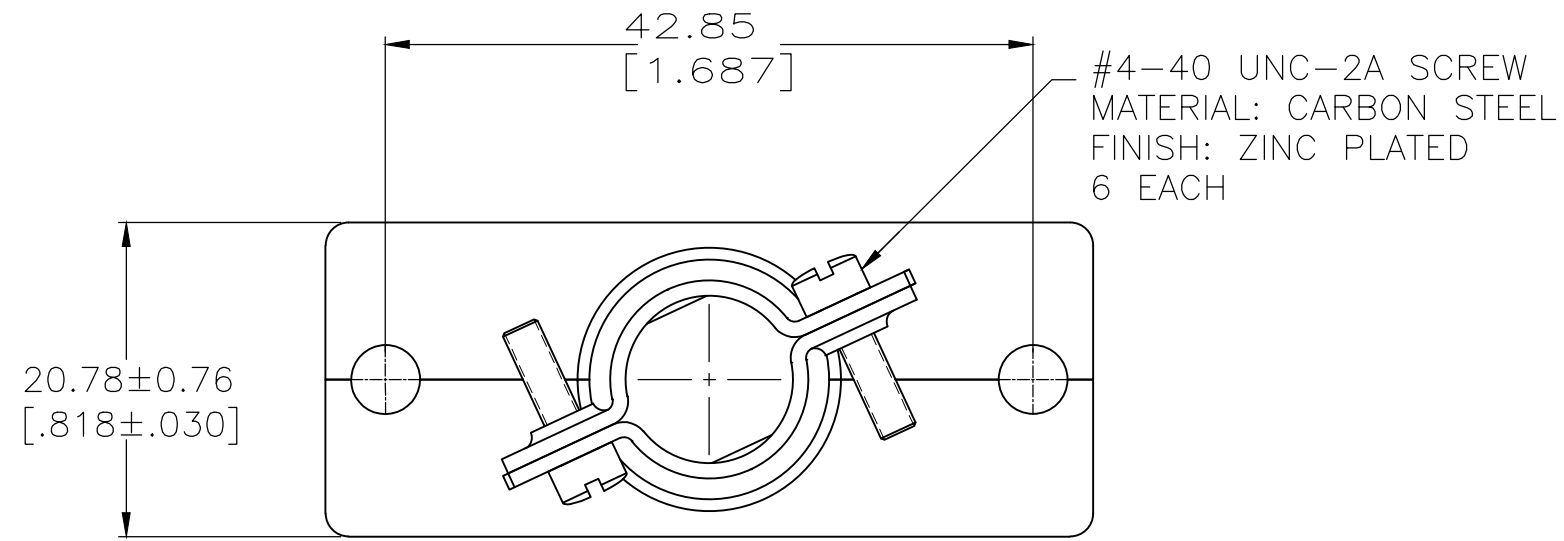
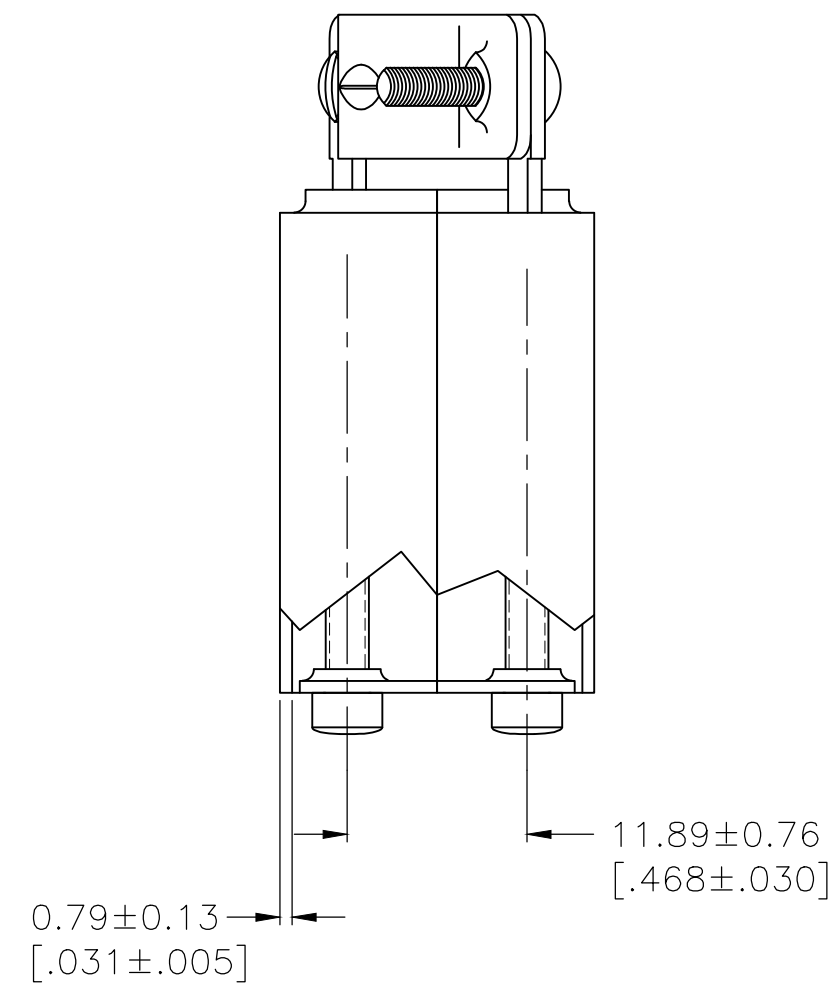
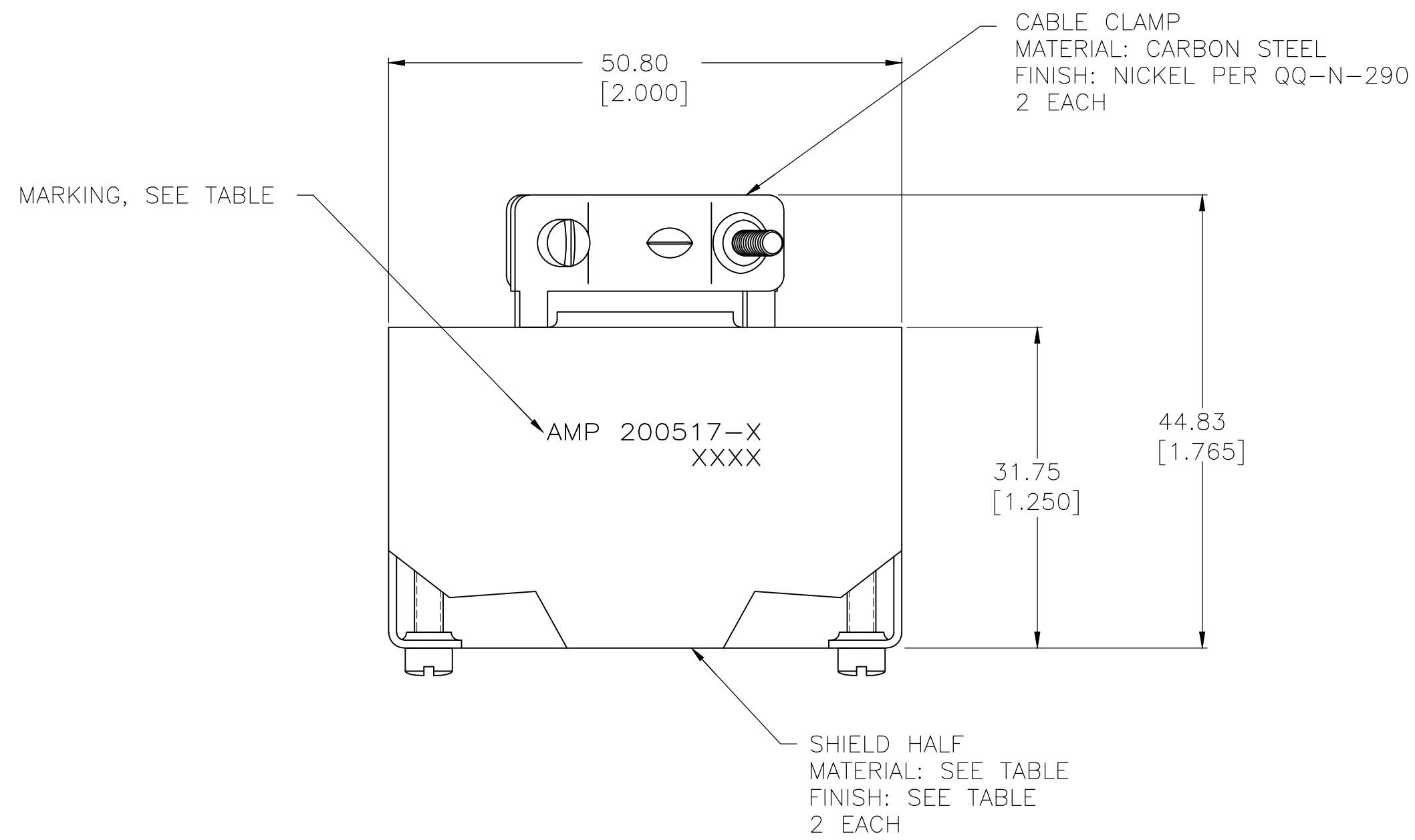


THIS DRAWING IS UNPUBLISHED. RELEASED FOR PUBLICATION  
 © COPYRIGHT - By - ALL RIGHTS RESERVED.

REVISIONS					
P	LTR	DESCRIPTION	DATE	DWN	APVD
	AD	REVISED PER ECO-18-007225	18MAY2018	KH	MZ



- ① AMP, PART NUMBER AND DATE CODE, BLACK INK STAMPED OR LASER MARKED ON (1) OR BOTH SIDES.
- ② HEXAVALENT CHROMATE COATING.
- ③ NON-HEXAVALENT CHROMATE COATING.
- ④ OBSOLETE PARTS: OBSOLETE CIS STREAMLINING PER D.RENAUD/D.SINISI



NOTES	CABLE RANGE DIA	MARKING	FINISH	MATERIAL	PART NUMBER
③	11.05-13.84 [.435-.545]	①	NICKEL PER QQ-N-290	CARBON STEEL	200517-9
④ OBSOLETE	② 7.62-11.43 [.300-.450]	①	NICKEL PER QQ-N-290	CARBON STEEL	<del>200517-8</del>
④ OBSOLETE	② 11.05-13.84 [.435-.545]	-	CLEAR ANODIZED	ALUMINUM ALLOY	<del>200517-7</del>
OBSOLETE	② 11.05-13.84 [.435-.545]	①	NICKEL PER QQ-N-290	CARBON STEEL	<del>200517-2</del>
	② 11.05-13.84 [.435-.545]	①	CLEAR ANODIZED	ALUMINUM ALLOY	200517-1

THIS DRAWING IS A CONTROLLED DOCUMENT.		DWN K.FOLTZ 01/23/95	<b>STE</b> TE Connectivity Ltd.	
DIMENSIONS: mm [INCHES]		CHK R.STONE 01/24/95		
TOLERANCES UNLESS OTHERWISE SPECIFIED:		APVD -	NAME SHIELD KIT, UNASSEMBLED, SHORT, 34 POSITION, M SERIES	
0 PLC ± -		PRODUCT SPEC -	SIZE A2	CAGE CODE 00779
1 PLC ± -		APPLICATION SPEC -	DRAWING NO C=200517	RESTRICTED TO -
2 PLC ± 0.38 [.015]		WEIGHT 0	SCALE 2:1	SHEET 1 of 1
3 PLC ± -		CUSTOMER DRAWING	REV AD	
4 PLC ± -				
ANGLES ± -				
MATERIAL SEE CALLOUTS		FINISH SEE CALLOUTS		

## X-ON Electronics

Largest Supplier of Electrical and Electronic Components

*Click to view similar products for [Rack & Panel Connectors](#) category:*

*Click to view products by [TE Connectivity](#) manufacturer:*

Other Similar products are found below :

[00171410002](#) [00171420202](#) [00171440002](#) [02-014-013-5200-000](#) [613467-000](#) [CTJ112E01E-513](#) [CTJ116E03A-513](#) [66020-2](#) [CW8958-000](#)  
[699886-000](#) [D250-50632](#) [70.400.3240.0](#) [70.955.2453.3](#) [733753-000](#) [F22831-000](#) [780-522-DPX34RG8-02](#) [8660-501](#) [87.060.0053.0](#)  
[900709N001](#) [928358-1](#) [D-659-0061](#) [1-445717-6](#) [1484469-2](#) [1604997-2](#) [MTC100-BF1-P31CS015](#) [MTC100-KT2-0083](#) [MTC100-KT2-0123-](#)  
[003](#) [MTC100-YA1-005](#) [MTCQPQT1R2PGCA](#) [MTCR-103-04S](#) [MTCX1X-100-100CS025](#) [1738331-1](#) [1757667-1](#) [1811481-1](#) [1883433-1](#)  
[201046-7](#) [202648-4](#) [213364-1](#) [226503-000](#) [937028-164](#) [1663130-2](#) [172305-4](#) [F36711-000](#) [202355-2](#) [202356-2](#) [G16S-A](#) [G20S-AB](#) [CHA-](#)  
[0017-003](#) [CHA-0296](#) [354654-000](#)