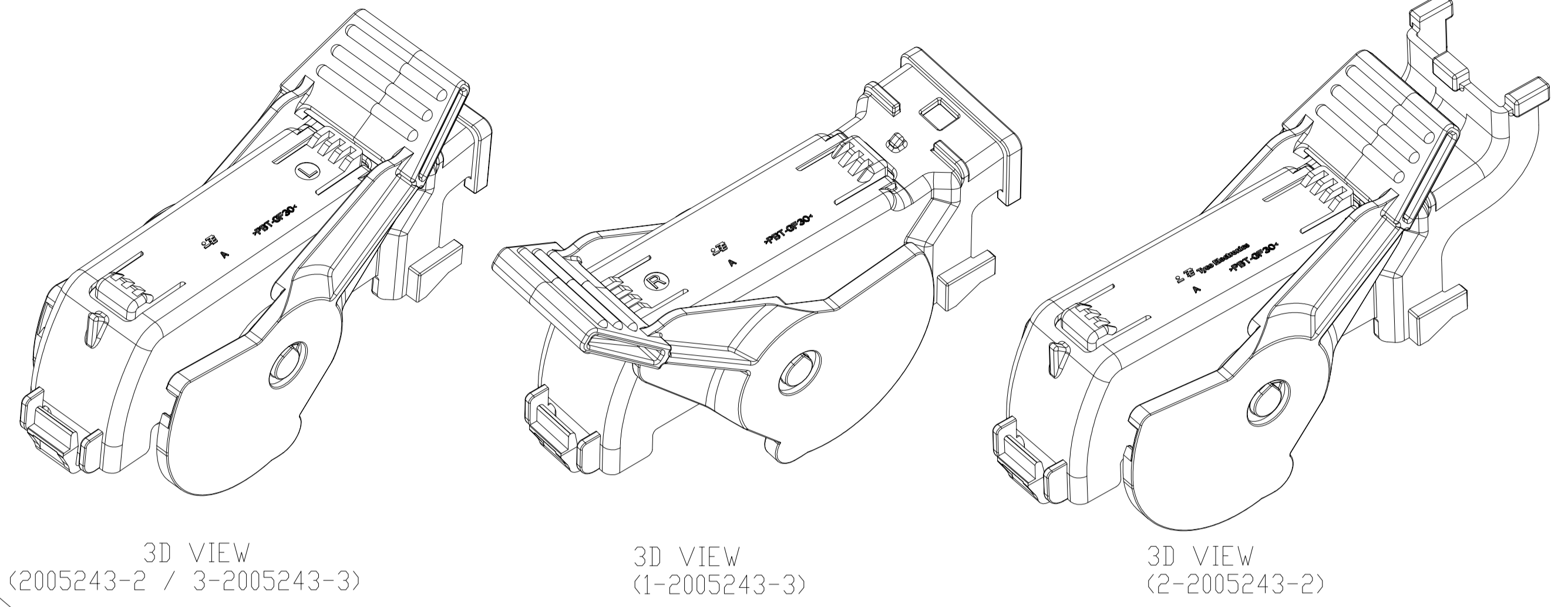
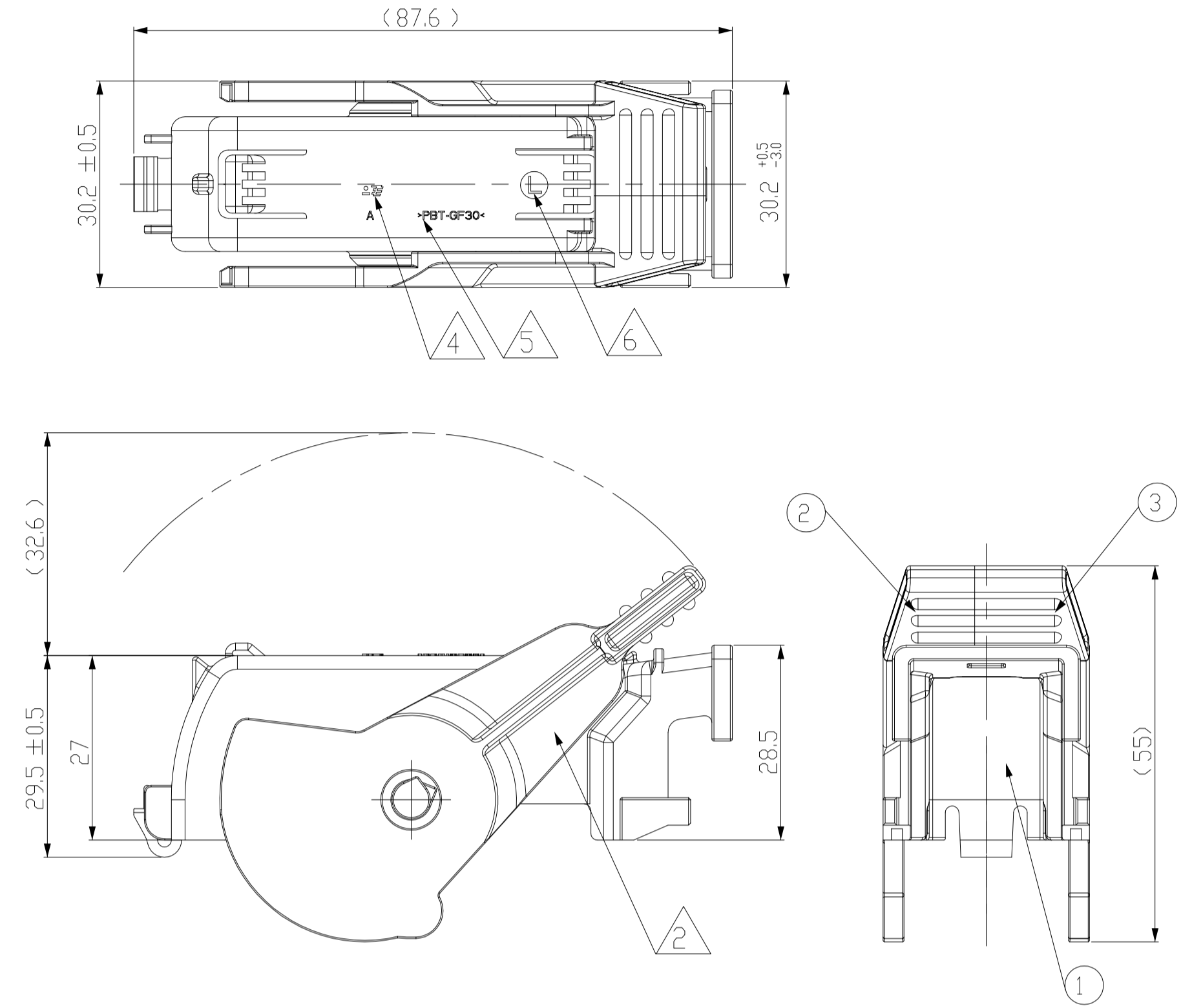


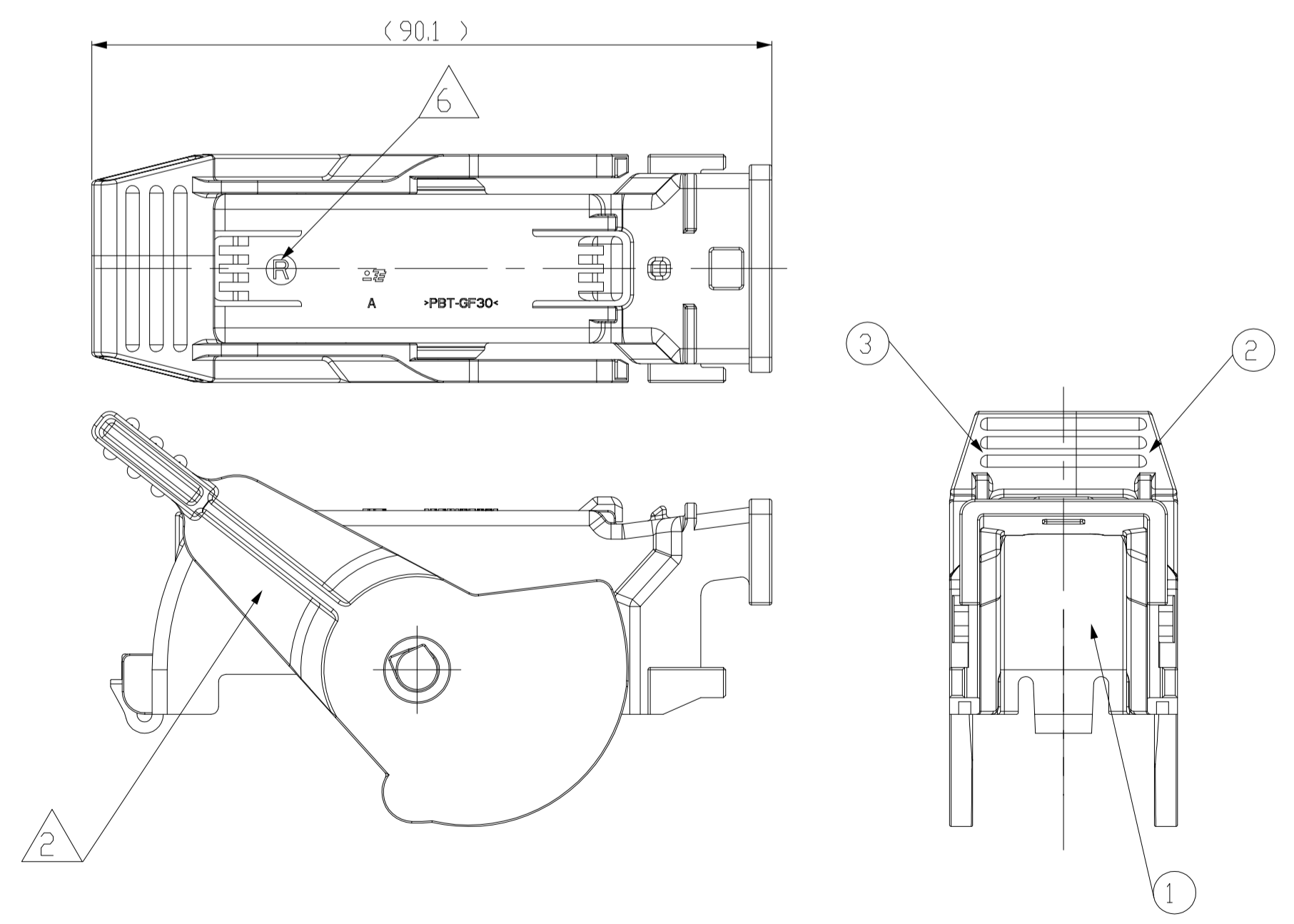
THIS DRAWING IS UNPUBLISHED. RELEASED FOR PUBLICATION 20
 © COPYRIGHT 20 BY - TE Connectivity ALL RIGHTS RESERVED.

REVISIONS						
P	LTR	DESCRIPTION	DATE	DWN	APVD	
	A1	REVISED (ECR-15-008320)	19AUG15	SJ	HG	

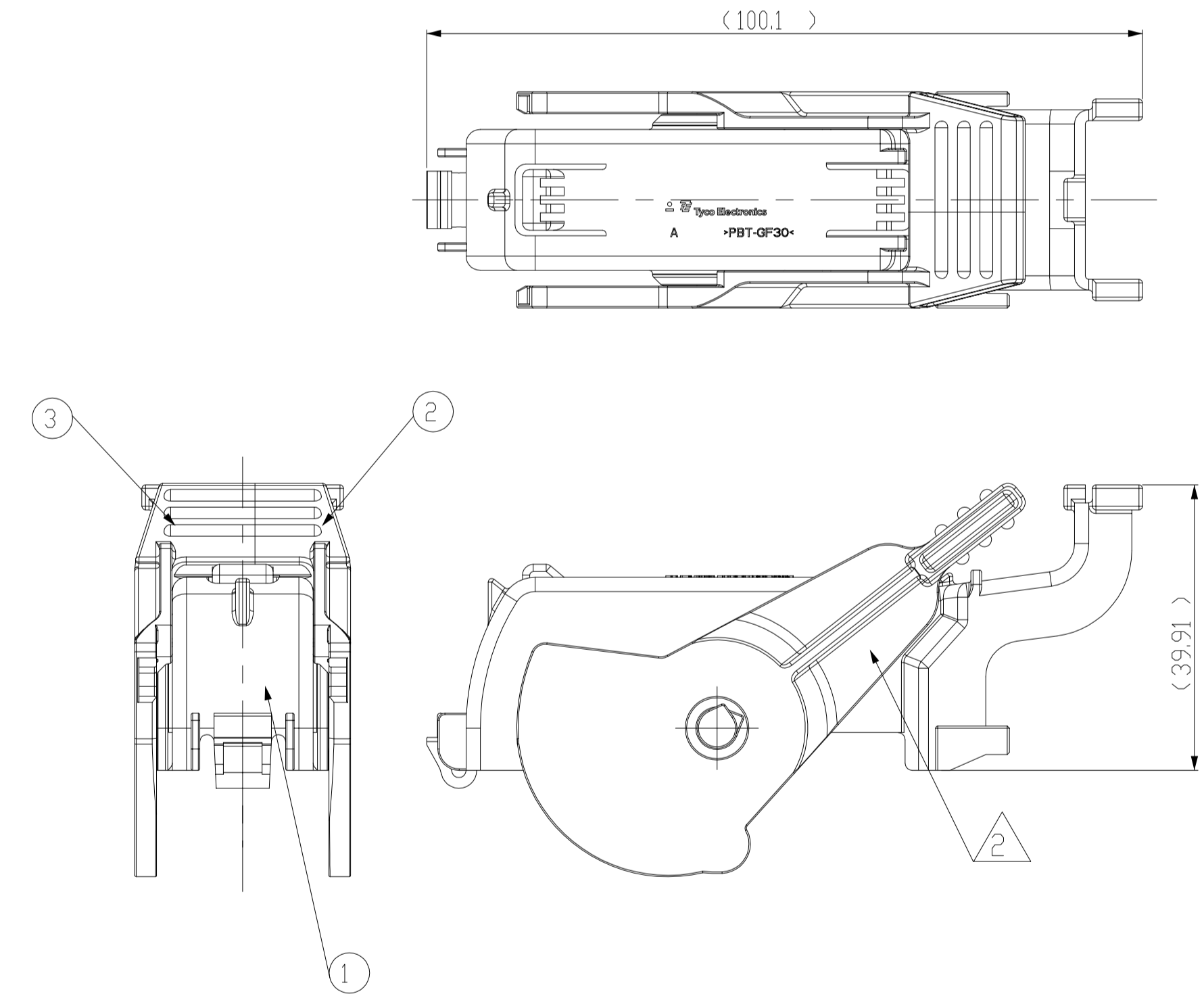
7. TYPE "L" DRAWING (2005243-2 / 3-2005243-3) IS BELOW SHOWN



8. TYPE "R" DRAWING (1-2005243-3) IS BELOW SHOWN



9. TYPE "V" DRAWING (2-2005243-2) IS BELOW SHOWN



- NOTE
- 1. GENERAL TOLERANCE: ±0.3, ±3°
 - 2. DELIVERY CONDITION
 - 3. APPLICABLE CONNECTOR P/N: X-2005238-X
 - 4. TE LOGO
 - 5. MATERIAL MARK
 - 6. TYPE MARK

NO.	COLOR	MATERIAL	DESCRIPTION	QTY		
				3-2005243-3	2-2005243-2	1-2005243-3
3	BLACK	PBT-GF30	LEVER HSG (RH)	1	1	1
2	BLACK	PBT-GF30	LEVER HSG (LH)	1	1	1
1	GRAY	PBT-GF30	COVER HSG TYPE "L"	1		
	BLACK	PBT-GF30	COVER HSG TYPE "V"		1	
	GRAY	PBT-GF30	COVER HSG TYPE "R"			1
	BLACK	PBT-GF30	COVER HSG TYPE "L"			1

THIS DRAWING IS A CONTROLLED DOCUMENT.

DWN: S.J. CHOI
 CHK: J.W. JUNG
 APVD: H.G. CHO
 PRODUCT SPEC

TE Connectivity

NAME: HYB 38P ISL COVER ASS'Y

SIZE: A2 CAGE CODE: 00779 DRAWING NO: C=2005243 RESTRICTED TO

WEIGHT: CUSTOMER DRAWING SCALE: 1:1 SHEET 1 OF 1 REV: A1

X-ON Electronics

Largest Supplier of Electrical and Electronic Components

Click to view similar products for [Power to the Board](#) category:

Click to view products by [TE Connectivity](#) manufacturer:

Other Similar products are found below :

[6450171-4](#) [6450552-7](#) [6600323-8](#) [6643429-1](#) [6646040-2](#) [6651939-1](#) [6766604-1](#) [120959-1](#) [1393557-2](#) [1393532-2](#) [1393532-3](#) [1393532-4](#)
[1393557-1](#) [1600812-5](#) [1-6450861-2](#) [1744132-7](#) [1761122-1](#) [1766250-1](#) [1892109-1](#) [2-6450860-5](#) [2-6450870-0](#) [1-6450161-4](#) [1-6450850-6](#) [1-6450869-6](#) [1645526-2](#) [1-6600130-0](#) [2005243-2](#) [377-0020-11130](#) [TE34-12-16P-F0](#) [5-6450830-6](#) [5646956-4](#) [377-0080-11131A](#) [4-6450830-9](#)
[4-6600333-3](#) [10125416-4050LF](#) [6600320-3](#) [3-6450860-5](#) [1888123-2](#) [6450166-1](#) [6643978-1](#) [6766605-1](#) [701-15-02109](#) [N11444](#) [6651938-1](#)
[6450810-7](#) [46437-1112](#) [1-1589677-8](#) [5646956-5](#) [6450813-2](#) [6450129-4](#)