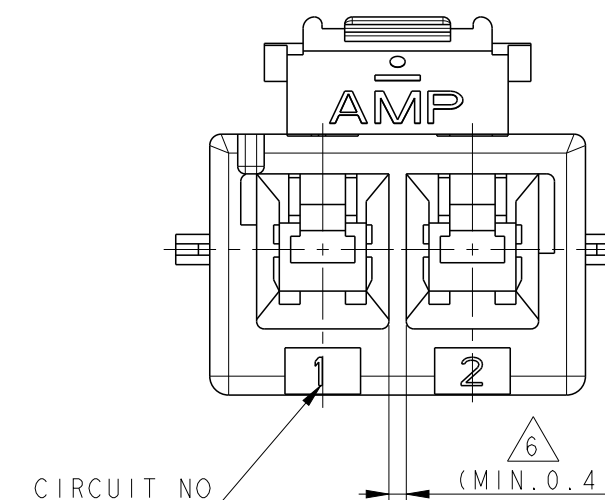
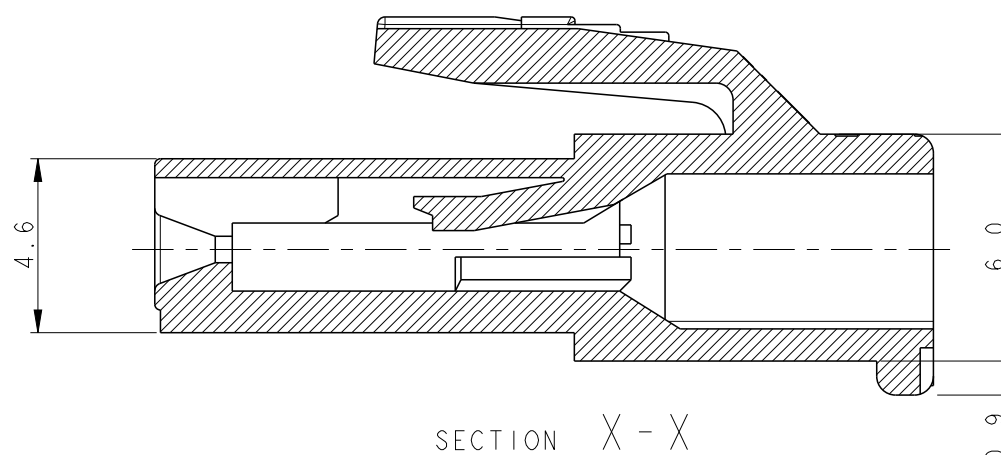
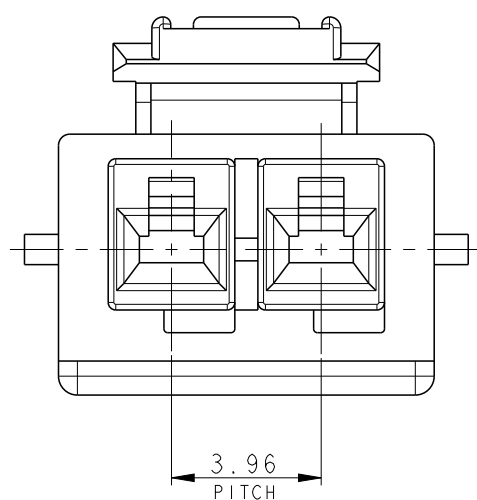
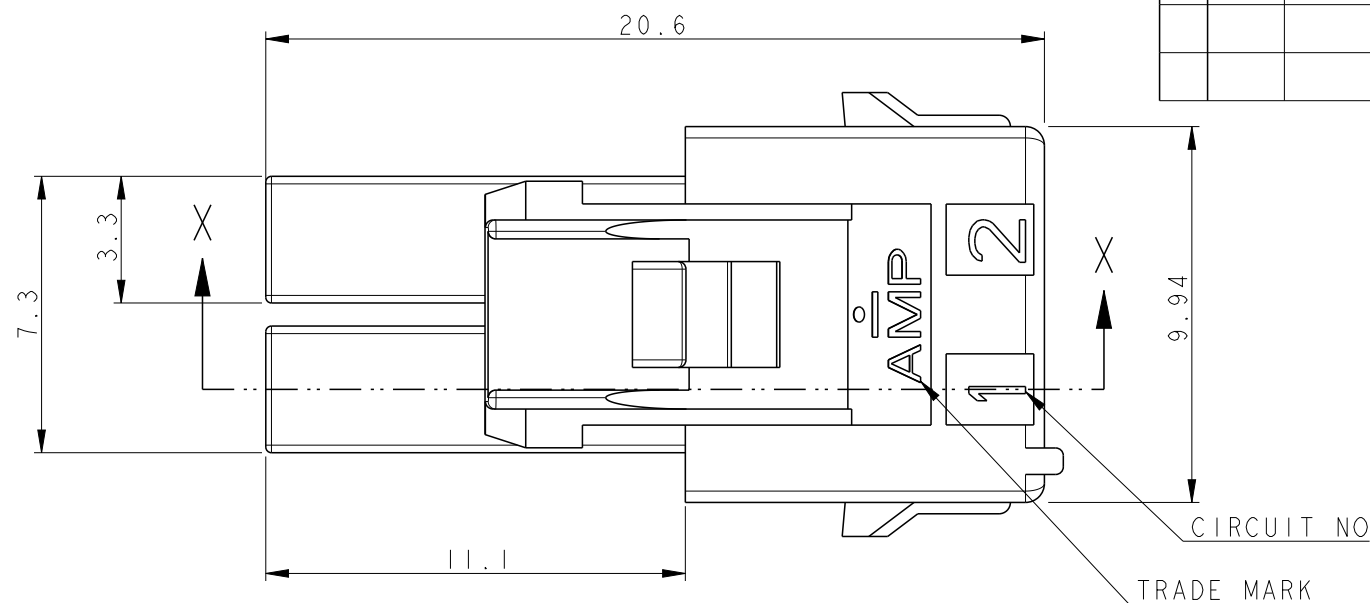



P	LTR	DESCRIPTION	DATE	DWN	APVD
	B	REVISED PER ECR-18-016962	29OCT2018	SC	BH



- NOTE;
- APPLICABLE CONTACT P/N
 - REC CONTACT: 177915-□ (AWG#16-#20)
 : 177914-□ (AWG#22-#26)
 - MATING CONN. P/N
 - CAP HSG: 2005248-□ (FREE HANGING)
 2005249-□ (PANEL MOUNT)
 - TAB CONTACT: 177917-□ (AWG#16-#20)
 177916-□ (AWG#22-#26)
 - APPLICABLE DOUBLE LOCK PLATE:
 177918-1(V-0) OR □ -368590-1(V-2,GWT)
 *IT SHOULD BE USED CERTAINLY WHEN CABLE ASS'Y
 - GENERAL TOLERANCES: ±0.3
 - MATERIAL: PA66, UL94V-0, GWIT 775°C, GWEPT 750°C, CTI 250V AND BALL PRESSURE 125°C
- △ MIN. THICKNESS OF INSULATING WALL

2005247-9	BLACK
2005247-6	BLUE
2005247-4	YELLOW
2005247-2	RED
2005247-1	NATURAL
P/N	COLOR

THIS DRAWING IS A CONTROLLED DOCUMENT.		DWN SC KIM		 TE Connectivity	
DIMENSIONS: mm		CHK BW KANG			
TOLERANCES UNLESS OTHERWISE SPECIFIED:		APVD JK SONG			
0 PLC ± 1 PLC ± 2 PLC ± 3 PLC ± 4 PLC ± ANGLES ± FINISH -		PRODUCT SPEC 108-61106 APPLICATION SPEC - WEIGHT -			
MATERIAL		RESTRICTED CUSTOMER		NAME PDL 2P PLUG HSG 3.96mm (GWT)	
△ 5		RESTRICTED TO		SIZE A3	
		SCALE 5:1		DRAWING NO C-2005247	
		SHEET 1 OF 1		REV B	

X-ON Electronics

Largest Supplier of Electrical and Electronic Components

Click to view similar products for [Heavy Duty Power Connectors](#) category:

Click to view products by [TE Connectivity](#) manufacturer:

Other Similar products are found below :

[647757-1](#) [6643411-1](#) [6646058-2](#) [6646137-1](#) [6646138-1](#) [6646479-1](#) [6646608-1](#) [6646786-1](#) [6646940-1](#) [6651091-1](#) [6651525-1](#) [6651529-1](#)
[6651788-1](#) [696475-1](#) [702-32-01109](#) [703-25-02205](#) [73000005059](#) [73000005642](#) [73080255059](#) [73080965046](#) [765-15-0080A](#) [765-16-0080B](#)
[765-18-0080D](#) [829992-1](#) [902-77-02113](#) [PS00/A0620/6300](#) [PS25/A0420/63](#) [129-1J](#) [1409400](#) [AN0024023](#) [E6374G1](#) [e6389g2](#) [157-43GW8](#)
[MS3117-14AC](#) [1643543-1](#) [1650540-1](#) [1651811-2](#) [1766260-1](#) [1766282-1](#) [1766966-1](#) [1791340000](#) [NLDFT-3-BL-L-S120-M40A](#) [NLDFT-N-](#)
[W-L-C240-M40B](#) [NLS-2-R-C240-M40B](#) [NLS-N-W-C240-M40B](#) [NPS-3-BL-T6](#) [1986615-1](#) [2-1589900-8](#) [2199314-1](#) [KA8102](#)