

THIS DRAWING IS UNPUBLISHED. RELEASED FOR PUBLICATION 20
 © COPYRIGHT 20 BY - ALL RIGHTS RESERVED.

REVISIONS					
P	LTR	DESCRIPTION	DATE	DWN	APVD
	A	RELEASED	29MAY'09	S.C	J.K
	B	REVISED PER ECR-19-009721	01JUL2019	M.G	D.Z

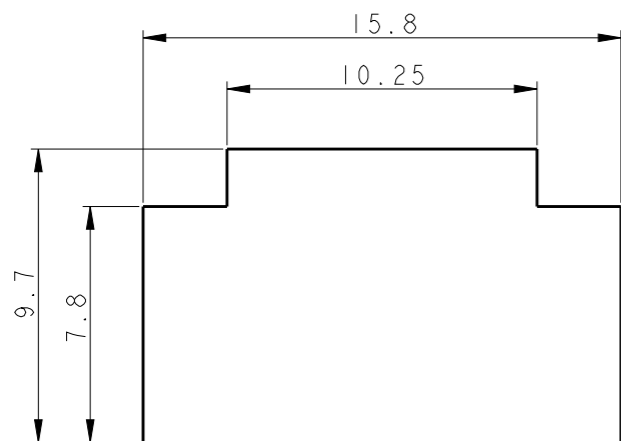
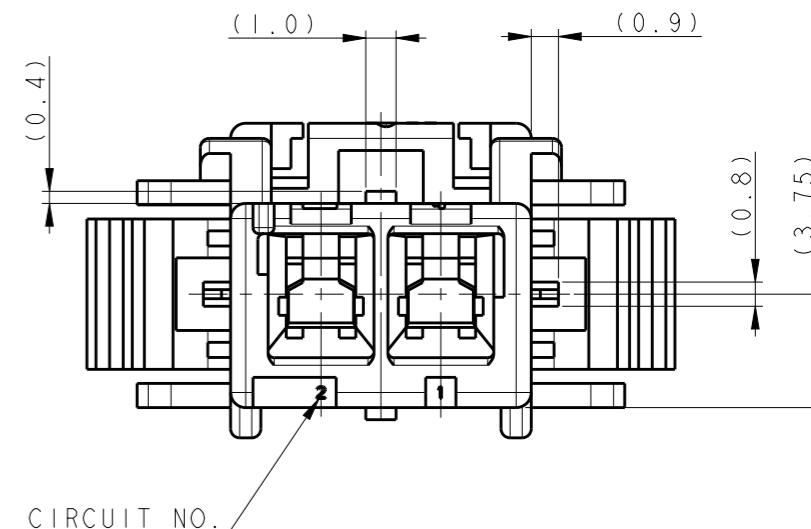
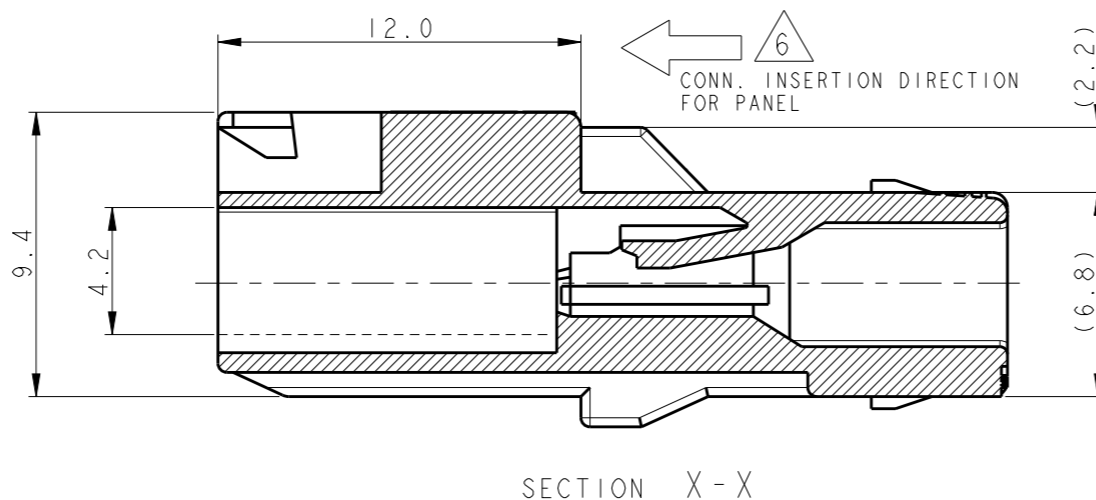
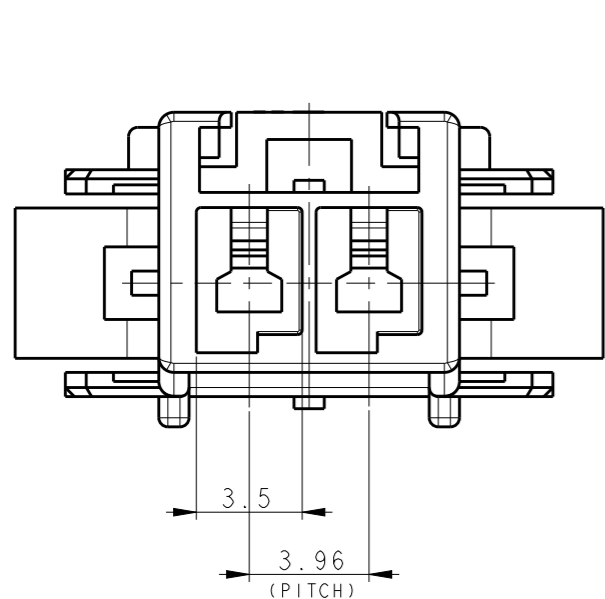
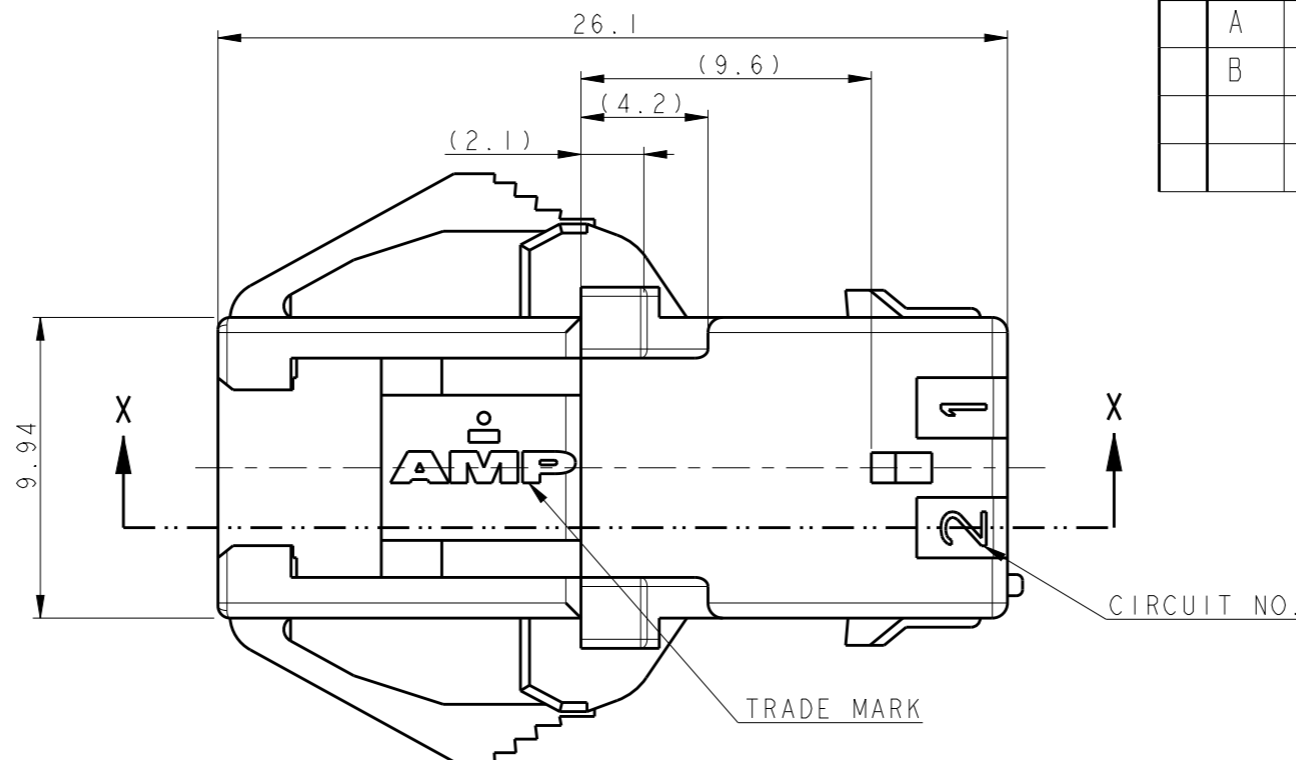


FIG 1. 5
 RECOMMENDED PANEL OPENING DIMENSION
 TOLERANCES: ±0.13



NOTE:
 1. THIS HOUSING ACCEPTS TAB TERMINAL:
 - TAB CONTACT: 177917-□ (AWG#16-#20)
 177916-□ (AWG#22-#26)

2. MATING CONN. P/N
 - PLUG HSG: 2005247-□
 - REC CONTACT: 177915-□ (AWG#16-#20)
 : 177914-□ (AWG#22-#26)

3. APPLICABLE DOUBLE LOCK PLATE:
 177918-1(V-0) OR □-368590-1(V-2, GWT)
 *IT SHOULD BE USED CERTAINLY WHEN CABLE ASS'Y

4. GENERAL TOLERANCES: ±0.3
 5. APPLICATOIN PANEL THICKNESS: 0.8~2.0 (SEE FIG 1.)
 6. INSERT CONN. FROM PRESS DIRECTION SIDE FOR METAL PANEL.
 7. EDGE OF THICKNESS MAY MUST NOT ROUND FOR MOLDED PANEL.

8. MATERIAL: PA66, UL94V-0.
 COMPLY WITH GLOW WIREREQUIREMENT FOR PARTS OF NON-METALLIC
 MATERIAL SUPPORTING A CURRENT-CARRYING CONNECTION DETAILED
 IN IEC 60335-1, SECTION 30(GWT).

THIS DRAWING IS A CONTROLLED DOCUMENT.

DIMENSIONS: mm	TOLERANCES UNLESS OTHERWISE SPECIFIED: 0 PLC ± 1 PLC ± 2 PLC ± 3 PLC ± 4 PLC ± ANGLES ±
MATERIAL	FINISH

DWN SC KIM
CHK BW KANG
APVD JK SONG
PRODUCT SPEC 108-5410
APPLICATION SPEC 114-5175
WEIGHT -
CUSTOMER DRAWING

STE TE Connectivity			
NAME PDL 2P CAP HSG 3.96mm P/M (GWT)			
SIZE A3	CAGE CODE 00779	DRAWING NO C-2005249	RESTRICTED TO -
SCALE 4:1		SHEET 1 OF 1	REV B

X-ON Electronics

Largest Supplier of Electrical and Electronic Components

Click to view similar products for [Power to the Board](#) category:

Click to view products by [TE Connectivity](#) manufacturer:

Other Similar products are found below :

[6450171-4](#) [6450552-7](#) [6600323-8](#) [6643429-1](#) [6646040-2](#) [6651939-1](#) [6766604-1](#) [120959-1](#) [1393557-2](#) [1393532-2](#) [1393532-3](#) [1393532-4](#)
[1393557-1](#) [1600812-5](#) [1-6450861-2](#) [1744132-7](#) [1761122-1](#) [1766250-1](#) [1892109-1](#) [2-6450860-5](#) [2-6450870-0](#) [1-6450161-4](#) [1-6450850-6](#) [1-6450869-6](#) [1645526-2](#) [1-6600130-0](#) [2005243-2](#) [377-0020-11130](#) [TE34-12-16P-F0](#) [5-6450830-6](#) [5646956-4](#) [377-0080-11131A](#) [4-6450830-9](#)
[4-6600333-3](#) [10125416-4050LF](#) [6600320-3](#) [3-6450860-5](#) [1888123-2](#) [6450166-1](#) [6643978-1](#) [6766605-1](#) [701-15-02109](#) [N11444](#) [6651938-1](#)
[6450810-7](#) [46437-1112](#) [1-1589677-8](#) [5646956-5](#) [6450813-2](#) [6450129-4](#)