

REVISIONS					
P	LTR	DESCRIPTION	DATE	DWN	APVD
B		REVISED PER ECR-19-009721	01JUL2019	M.G	D.Z

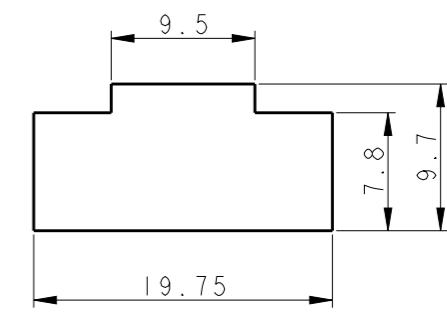
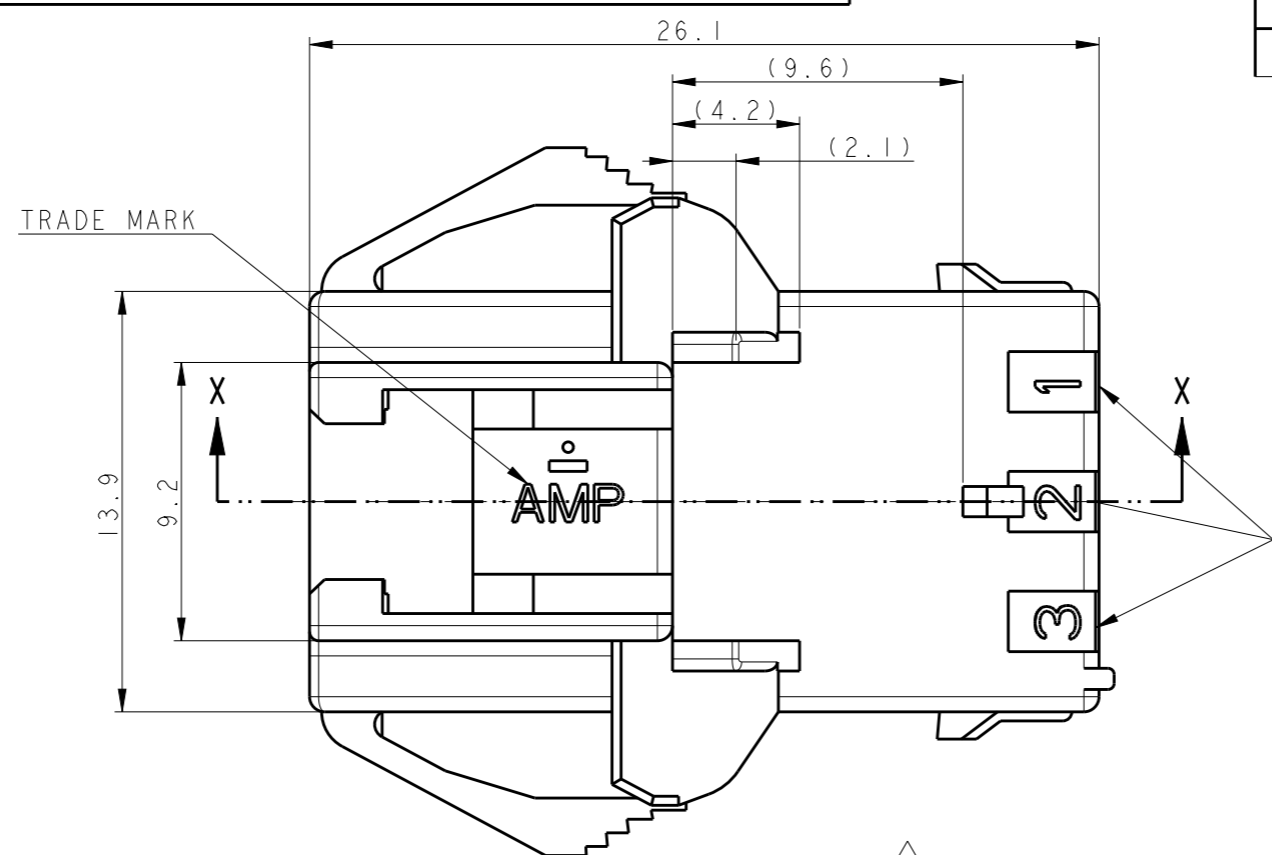
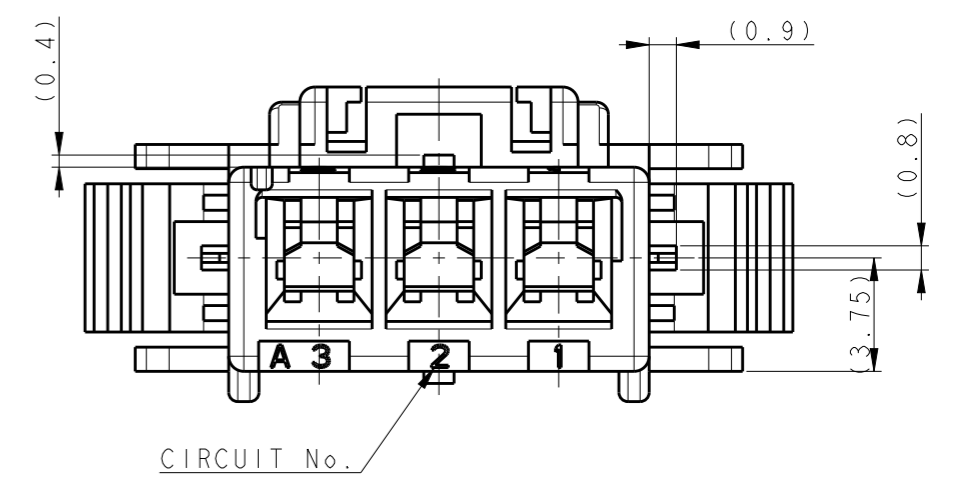
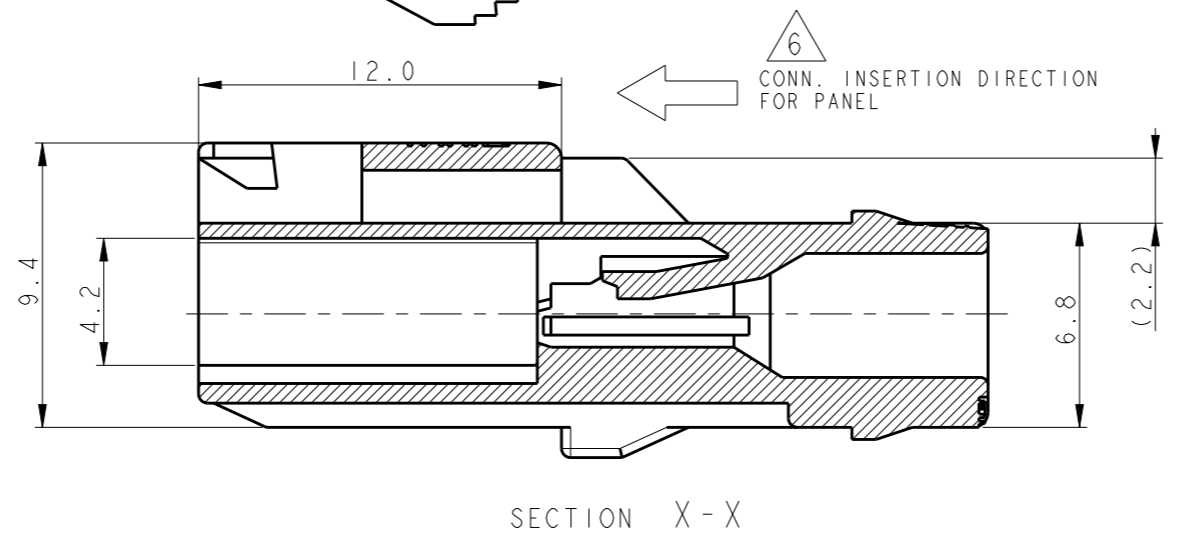
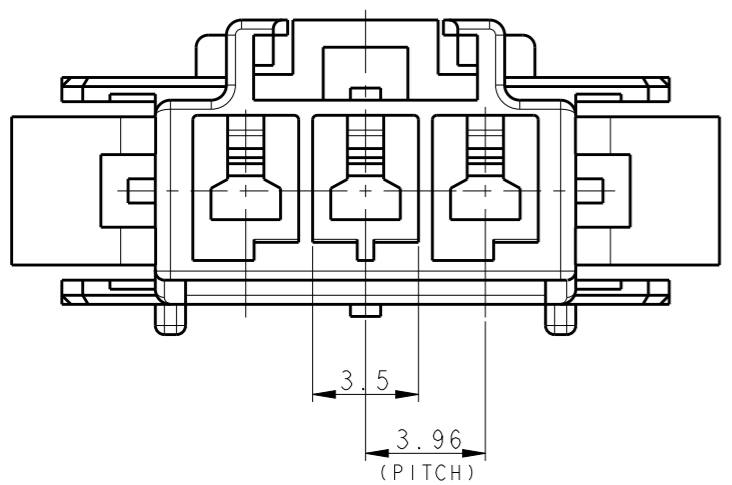


FIG 1.5  
 RECOMMENDED PANEL OPENING DIMENSION  
 TOLERANCES: ±0.13



- NOTE;
- THIS HOUSING ACCEPTS TAB TERMINAL:  
 -TAB CONTACT: 177917-□ (AWG#16-#20)  
 177916-□ (AWG#22-#26)
  - MATING CONN. P/N  
 -PLUG HSG: 368571-□  
 -REC CONTACT: 177915-□ (AWG#16-#20)  
 : 177914-□ (AWG#22-#26)
  - APPLICABLE DOUBLE LOCK PLATE: 177919-1  
 \*IT SHOULD BE USED CERTAINLY WHEN CABLE ASS'Y
  - GENERAL TOLERANCES: ±0.3
  - APPLICATOIN PANEL THICKNESS: 0.8~2.0 (SEE FIG 1.)
  - INSERT CONN. FROM PRESS DIRECTION SIDE FOR METAL PANEL.
  - EDGE OF THICKNESS MAY MUST NOT ROUND FOR MOLDED PANEL.
  - MATERIAL: PA66 UL94V-0  
 COMPLY WITH GLOW WIREREQUIREMENT FOR PARTS OF NON-METALLIC MATERIALSUPPORTING A CURRENT-CARRYING CONNECTION DETAILED IN IEC 60335-1, SECTION 30(GWT).

2005250-9	BLACK
2005250-6	BLUE
2005250-4	YELLOW
2005250-2	RED
2005250-1	NATURAL
P/N	COLOR

THIS DRAWING IS A CONTROLLED DOCUMENT.		DWN SC KIM		TE Connectivity	
DIMENSIONS: mm		CHK BW KANG			
TOLERANCES UNLESS OTHERWISE SPECIFIED:		APVD JK SONG		NAME PDL 3P CAP HSG 3.96mm P/M (GWT)	
0 PLC ±.1		PRODUCT SPEC 108-5410		SIZE	
1 PLC ±.1		APPLICATION SPEC 114-5175		CAGE CODE	
2 PLC ±.1		WEIGHT -		DRAWING NO	
3 PLC ±.1		CUSTOMER DRAWING		A300779	
4 PLC ±.1		SCALE 4:1		SHEET 1 OF 1	
ANGLES ±.1		REV B		DRAWING NO C-2005250	
MATERIAL		FINISH		RESTRICTED TO	
8					

## X-ON Electronics

Largest Supplier of Electrical and Electronic Components

*Click to view similar products for [Headers & Wire Housings](#) category:*

*Click to view products by [TE Connectivity](#) manufacturer:*

Other Similar products are found below :

[892-18-020-10-001101](#) [58102-G61-06LF](#) [582553-1](#) [0009485154](#) [009176003701906](#) [0050291907](#) [LY20-4P-DT1-P1E-BR](#) [02.125.8002.8](#)  
[609-3404](#) [61062-3](#) [61082-181009](#) [622-3653LF](#) [63453-116](#) [636-1030](#) [636-1427](#) [636-3427](#) [636-4007](#) [641938-9](#) [641991-4](#) [644827-2](#) [65817-](#)  
[010LF](#) [65817-015LF](#) [65863-015LF](#) [66207-023LF](#) [67095-007LF](#) [67601157](#) [68645-018](#) [68648-049](#) [70.362.1628.0](#) [70-4210](#) [70-4226B](#) [70-](#)  
[4853B](#) [707-5020](#) [707-5028](#) [71.350.2428.0](#) [71918-208LF](#) [71961-016LF](#) [733-134](#) [733-162](#) [754199-000](#) [760-3052](#) [79531-3000](#) [FCN-](#)  
[360C032-B](#) [FCN-367T-T012/H](#) [FCN-723D010/2](#) [80.063.4001.1](#) [800-90-010-10-002000](#) [801-43-002-10-013000](#) [801-43-006-10-002000](#)  
[801-93-011-10-001000](#)