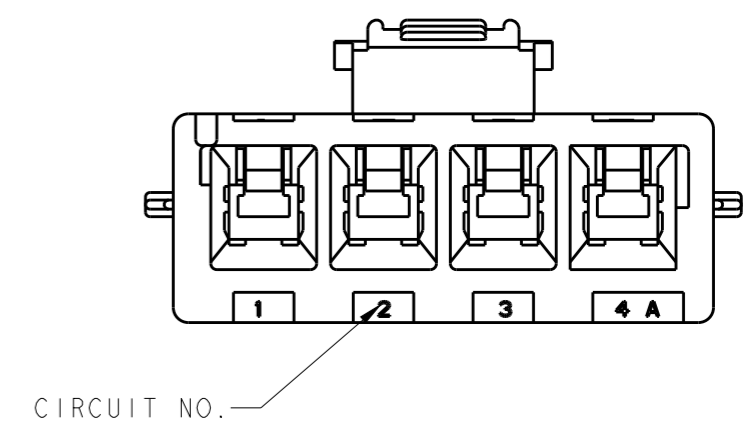
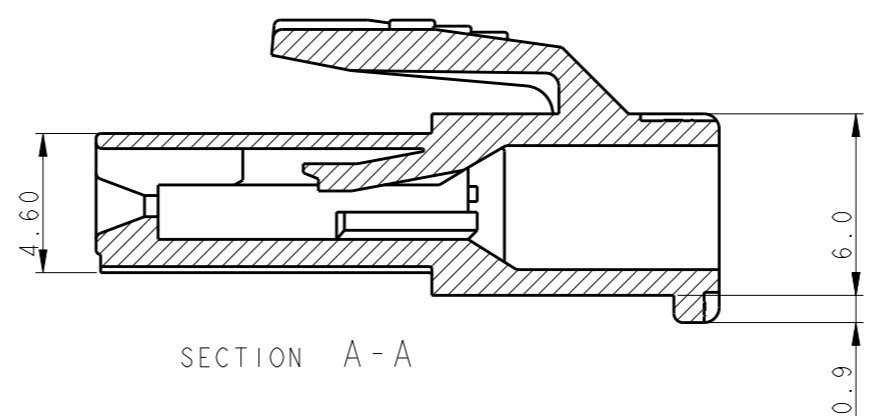
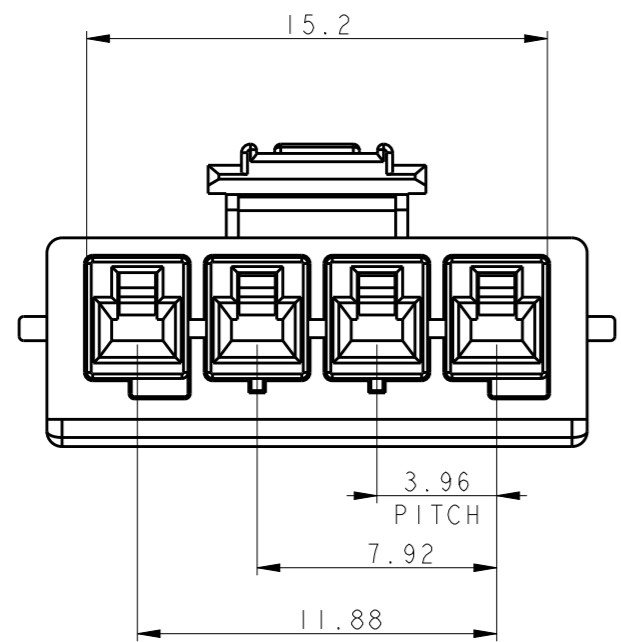
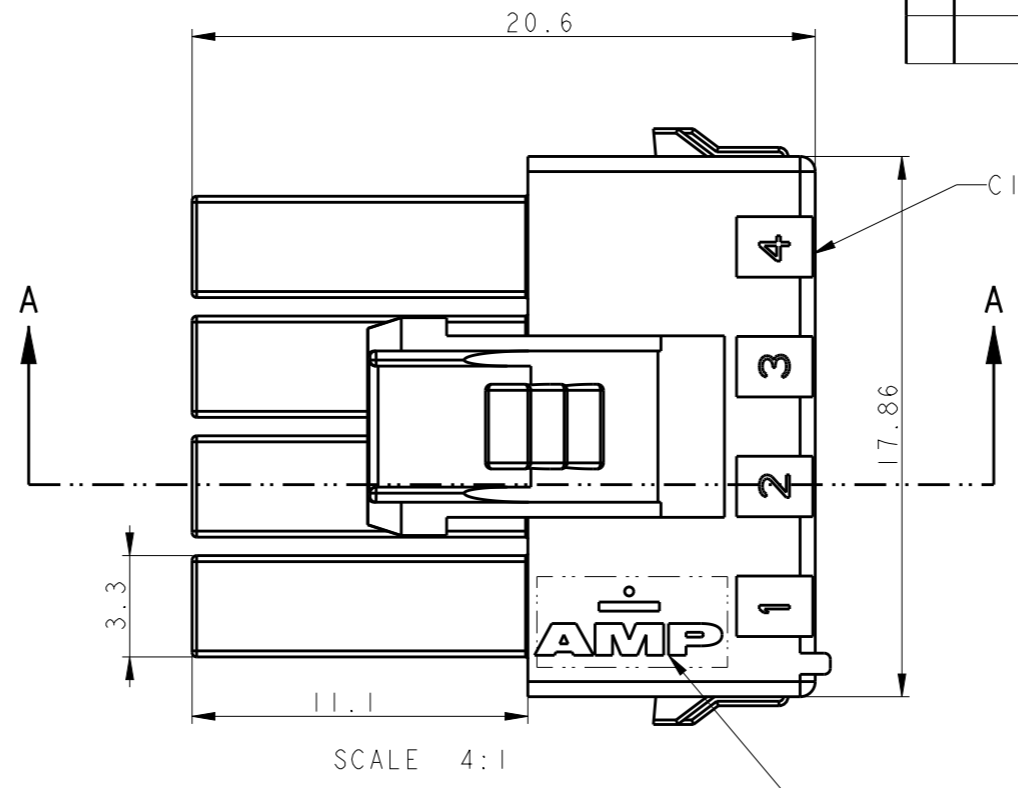


THIS DRAWING IS UNPUBLISHED. RELEASED FOR PUBLICATION 20
© COPYRIGHT 20 BY - ALL RIGHTS RESERVED.

REVISIONS					
P	LTR	DESCRIPTION	DATE	DWN	APVD
	A	RELEASED	01OCT'09	SC	JK
	B	REVISED PER ECR-19-009721	01JUL2019	M.G	D.Z

NOTE;
 1. THIS HOUSING ACCEPTS RECEPTACLE TERMINAL:
 - REC CONTACT: 177915-□ (AWG#16-#20)
 : 177914-□ (AWG#22-#26)
 2. MATING CONN. P/N:
 - CAP HSG: 1971599-1
 - TAB CONTACT: 177917-□ (AWG#16-#20)
 : 177916-□ (AWG#22-#26)
 3. APPLICABLE DOUBLE LOCK PLATE: 177920-1
 *IT SHOULD BE USED CERTAINLY WHEN CABLE ASS'Y
 4. GENERAL TOLERANCES: ±0.3
 5. MATERIAL: PA66, UL94V-0,
 COMPLY WITH GLOW WIRE REQUIREMENT FOR PARTS
 OF NON-METALLIC MATERIAL SUPPORTING A
 CURRENT-CARRYING CONNECTION DETAILED
 IN IEC 60335-1, SECTION 30(GWT).



2005251-6	BLUE
2005251-4	YELLOW
2005251-1	NATURAL
P/N	COLOR

THIS DRAWING IS A CONTROLLED DOCUMENT.		DWN SC KIM	TE Connectivity		
DIMENSIONS: mm		CHK BW KANG			
		APVD JK SONG	NAME PDL 4P PLUG HSG 3.96mm S/R (GWT)		
		PRODUCT SPEC 108-5410	SIZE A3	CAGE CODE -	DRAWING NO. C-2005251
MATERIAL 5		FINISH -	APPLICATION SPEC 114-5175	SCALE 3:1	
CUSTOMER DRAWING			WEIGHT -	SHEET 1	REV B

X-ON Electronics

Largest Supplier of Electrical and Electronic Components

Click to view similar products for [Power to the Board](#) category:

Click to view products by [TE Connectivity](#) manufacturer:

Other Similar products are found below :

[6450171-4](#) [6450552-7](#) [6600323-8](#) [6643429-1](#) [6646040-2](#) [6651939-1](#) [6766604-1](#) [120959-1](#) [1393557-2](#) [1393532-2](#) [1393532-3](#) [1393532-4](#)
[1393557-1](#) [1600812-5](#) [1-6450861-2](#) [1744132-7](#) [1761122-1](#) [1766250-1](#) [1892109-1](#) [2-6450860-5](#) [2-6450870-0](#) [1-6450161-4](#) [1-6450850-6](#) [1-6450869-6](#) [1645526-2](#) [1-6600130-0](#) [2005243-2](#) [377-0020-11130](#) [TE34-12-16P-F0](#) [5-6450830-6](#) [5646956-4](#) [377-0080-11131A](#) [4-6450830-9](#)
[4-6600333-3](#) [10125416-4050LF](#) [6600320-3](#) [3-6450860-5](#) [1888123-2](#) [6450166-1](#) [6643978-1](#) [6766605-1](#) [701-15-02109](#) [N11444](#) [6651938-1](#)
[6450810-7](#) [46437-1112](#) [1-1589677-8](#) [5646956-5](#) [6450813-2](#) [6450129-4](#)