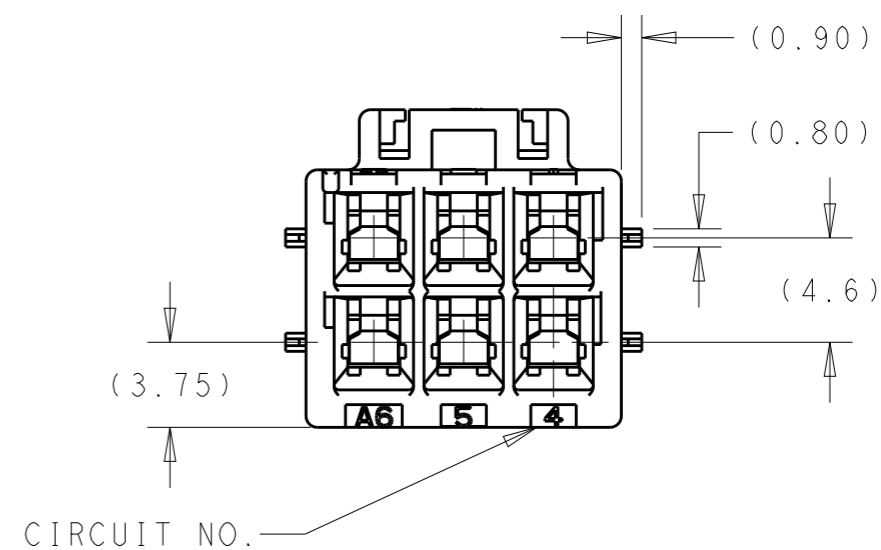
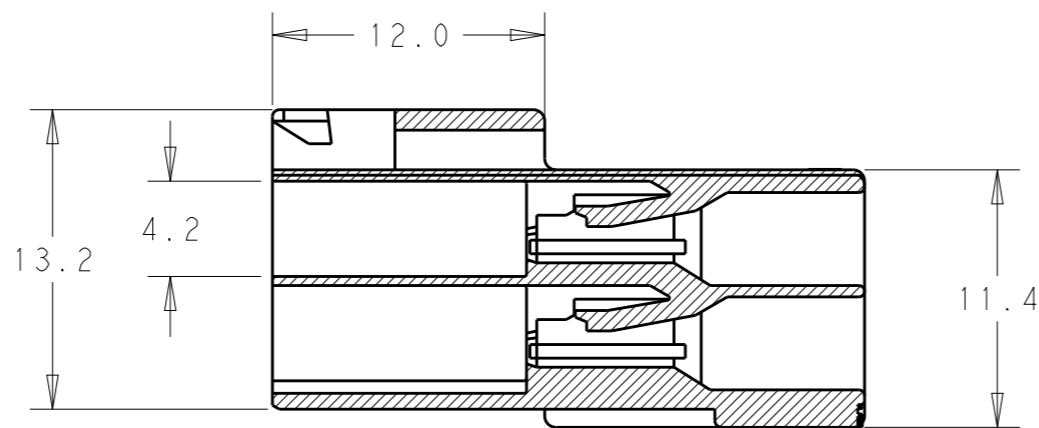
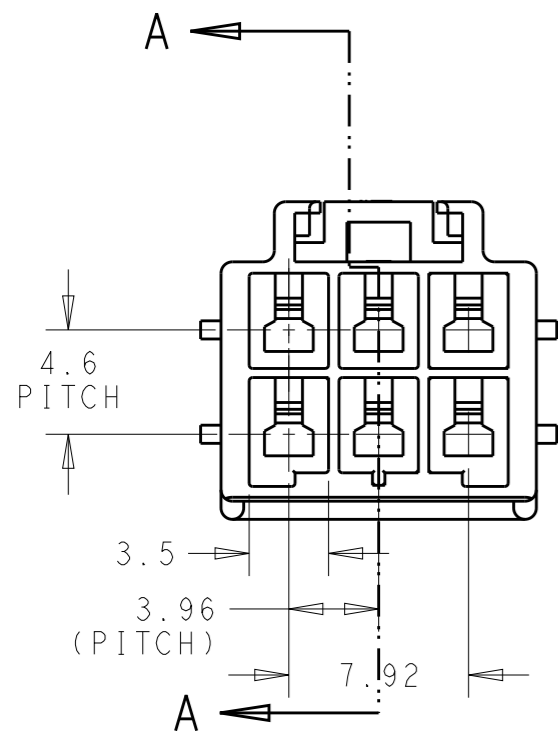
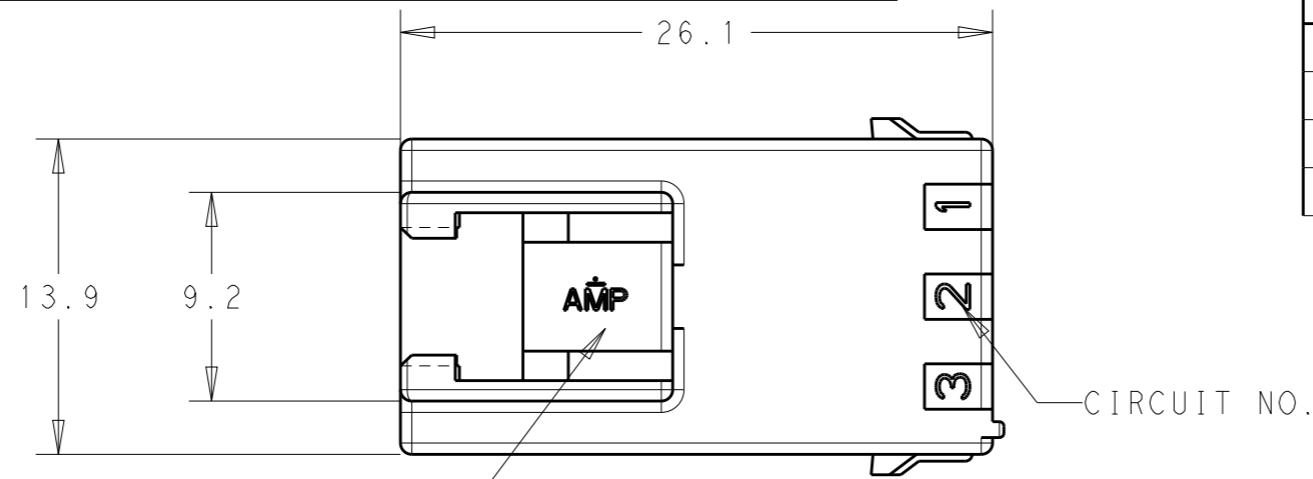


THIS DRAWING IS UNPUBLISHED. RELEASED FOR PUBLICATION 20
 © COPYRIGHT 20 BY - ALL RIGHTS RESERVED.

| REVISIONS | | | | | |
|-----------|-----|---------------------------|-----------|-----|------|
| P | LTR | DESCRIPTION | DATE | DWN | APVD |
| | A | RELEASED | 29MAY'09 | SC | JK |
| | B | REVISED PER ECR-19-009721 | 01JUL2019 | M.G | D.Z |
| | | | | | |
| | | | | | |



- NOTE
- THIS HOUSING ACCEPTS TAB TERMINAL:
 -TAB CONTACT: 177917-□ (AWG#16-#20)
 177916-□ (AWG#22-#26)
 - MATING CONN.P/N
 -PLUG HSG: 368576-□
 -REC CONTACT: 177915-□ (AWG#16-#20)
 177914-□ (AWG#22-#26)
 - APPLICABLE DOUBLE LOCK PLATE :177919-1
 * IT SHOULD BE USED CERTAINLY WHEN CABLE ASS'Y
 - GENERAL TOLERANCES:±0.3

5 MATERIAL:PA66, UL94V-0,
 COMPLY WITH GLOW WIRE REQUIREMENT FOR PARTS OF NON-METALLIC
 MATERIALSUPPORTING A CURRENT-CARRYING CONNECTION DETAILED
 IN IEC 60335-1, SECTION 30(GWT).

| | |
|---------|-------------|
| BLUE | 2005253-6 |
| YELLOW | 2550253-4 |
| NATURAL | 2005253-1 |
| COLOR | PART NUMBER |

| | | | | | |
|--|--|------------------|----------|--|------------|
| THIS DRAWING IS A CONTROLLED DOCUMENT. | | DWN | SC KIM | STE TE Connectivity | |
| DIMENSIONS: mm | | CHK | BW KANG | | |
| TOLERANCES UNLESS OTHERWISE SPECIFIED: | | APVD | JK SONG | NAME PDL 6P CAP HSG 3.96mm D/R F/H (GWT) | |
| 0 PLC ±- | | PRODUCT SPEC | 108-5410 | SIZE | |
| 1 PLC ±- | | APPLICATION SPEC | 114-5175 | CAGE CODE | DRAWING NO |
| 2 PLC ±- | | WEIGHT | - | A300779 | C=2005253 |
| 3 PLC ±- | | CUSTOMER DRAWING | | SCALE | 3:1 |
| 4 PLC ±- | | | | SHEET | 1 OF 1 |
| ANGLES ±- | | | | REV | B |
| FINISH | | | | RESTRICTED TO | |
| 5 | | | | | |

X-ON Electronics

Largest Supplier of Electrical and Electronic Components

Click to view similar products for [Power to the Board](#) category:

Click to view products by [TE Connectivity](#) manufacturer:

Other Similar products are found below :

[10131318-08512GRLF](#) [6450171-4](#) [6450552-7](#) [6600323-8](#) [6643429-1](#) [6646040-2](#) [6651939-1](#) [6766604-1](#) [120959-1](#) [1393557-2](#) [1393532-2](#)
[1393532-3](#) [1393532-4](#) [1600812-5](#) [1-6450861-2](#) [1645595-1](#) [1743490-1](#) [1744132-7](#) [1761122-1](#) [1766169-1](#) [1766250-1](#) [18362](#) [1892109-1](#) [1-](#)
[967627-6](#) [2226808-1](#) [2-6450860-5](#) [2-6450860-6](#) [2-6450870-0](#) [93003-0502](#) [953552-1](#) [1-6450161-4](#) [1-6450850-6](#) [1645526-2](#) [1-6600130-0](#)
[1743419-1](#) [1766150-1](#) [2005243-2](#) [211110-1](#) [2-6600130-2](#) [TE34-12-16P-F0](#) [5-6450830-6](#) [5646956-4](#) [36662-0005](#) [40585-3000](#) [4-6450830-9](#)
[4-6600333-3](#) [51142-0214](#) [10134048-911LF](#) [10130248-005LF](#) [6600320-3](#)