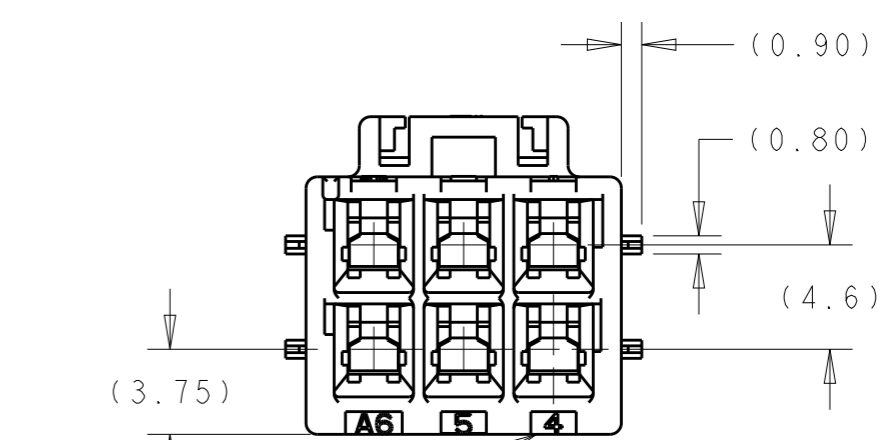
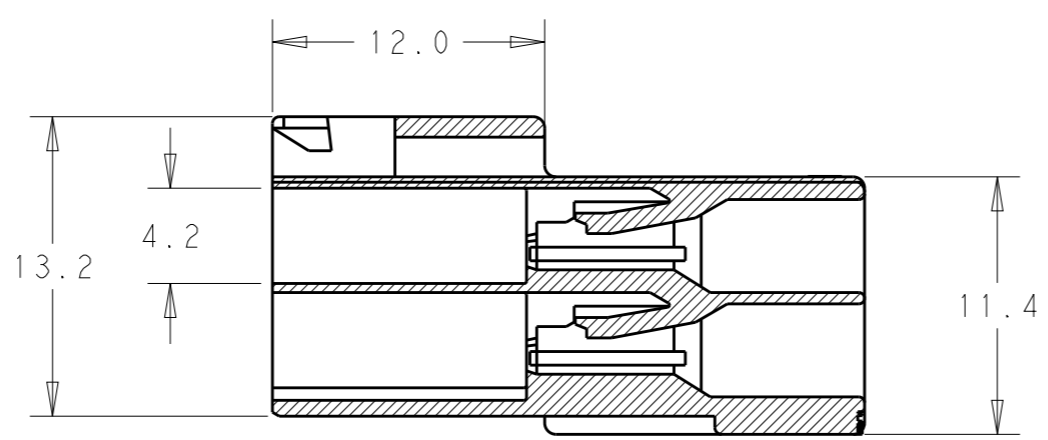
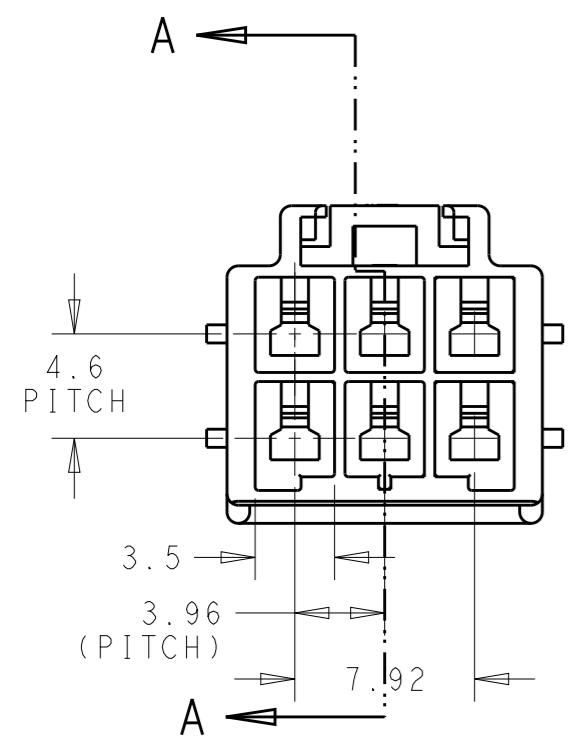
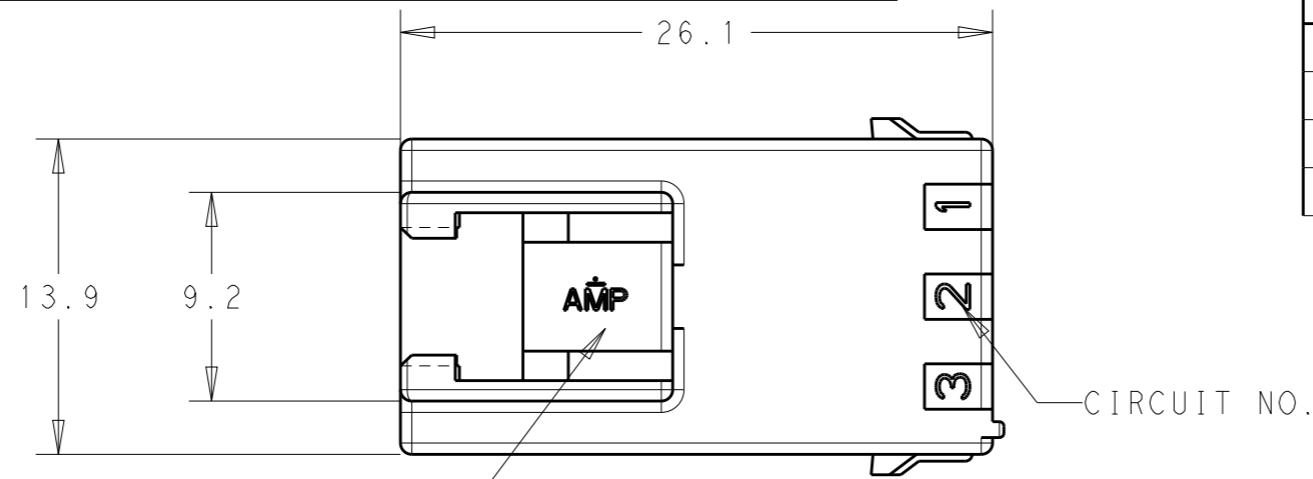


THIS DRAWING IS UNPUBLISHED. RELEASED FOR PUBLICATION 20
 © COPYRIGHT 20 BY - ALL RIGHTS RESERVED.

REVISIONS					
P	LTR	DESCRIPTION	DATE	DWN	APVD
	A	RELEASED	29MAY'09	SC	JK
	B	REVISED PER ECR-19-009721	01JUL2019	M.G	D.Z



- NOTE
- THIS HOUSING ACCEPTS TAB TERMINAL:
 -TAB CONTACT: 177917-□ (AWG#16-#20)
 177916-□ (AWG#22-#26)
 - MATING CONN.P/N
 -PLUG HSG: 368576-□
 -REC CONTACT: 177915-□ (AWG#16-#20)
 177914-□ (AWG#22-#26)
 - APPLICABLE DOUBLE LOCK PLATE :177919-1
 * IT SHOULD BE USED CERTAINLY WHEN CABLE ASS'Y
 - GENERAL TOLERANCES:±0.3
 - MATERIAL:PA66, UL94V-0,
 COMPLY WITH GLOW WIRE REQUIREMENT FOR PARTS OF NON-METALLIC
 MATERIALSUPPORTING A CURRENT-CARRYING CONNECTION DETAILED
 IN IEC 60335-1, SECTION 30(GWT).

BLUE	2005253-6
YELLOW	2550253-4
NATURAL	2005253-1
COLOR	PART NUMBER

THIS DRAWING IS A CONTROLLED DOCUMENT.		DWN	SC KIM	STE TE Connectivity	
DIMENSIONS: mm		CHK	BW KANG		
TOLERANCES UNLESS OTHERWISE SPECIFIED:		APVD	JK SONG	NAME PDL 6P CAP HSG 3.96mm D/R F/H (GWT)	
0 PLC ±-		PRODUCT SPEC	108-5410	SIZE	
1 PLC ±-		APPLICATION SPEC	114-5175	CAGE CODE	DRAWING NO
2 PLC ±-		WEIGHT	-	A300779	C=2005253
3 PLC ±-		CUSTOMER DRAWING		SCALE	3:1
4 PLC ±-				SHEET	1 OF 1
ANGLES ±-				REV	B
FINISH				RESTRICTED TO	
MATERIAL					
5					

X-ON Electronics

Largest Supplier of Electrical and Electronic Components

Click to view similar products for [Power to the Board](#) category:

Click to view products by [TE Connectivity](#) manufacturer:

Other Similar products are found below :

[10131318-08512GRLF](#) [6450171-4](#) [6450552-7](#) [6600323-8](#) [6643429-1](#) [6646040-2](#) [6651939-1](#) [6766604-1](#) [120959-1](#) [1393557-2](#) [1393532-2](#)
[1393532-3](#) [1393532-4](#) [1600812-5](#) [1-6450861-2](#) [1645595-1](#) [1743490-1](#) [1744132-7](#) [1761122-1](#) [1766169-1](#) [1766250-1](#) [18362](#) [1892109-1](#) [1-](#)
[967627-6](#) [2226808-1](#) [2-6450860-5](#) [2-6450860-6](#) [2-6450870-0](#) [93003-0502](#) [953552-1](#) [1-6450161-4](#) [1-6450850-6](#) [1645526-2](#) [1-6600130-0](#)
[1743419-1](#) [1766150-1](#) [2005243-2](#) [211110-1](#) [2-6600130-2](#) [TE34-12-16P-F0](#) [5-6450830-6](#) [5646956-4](#) [36662-0005](#) [40585-3000](#) [4-6450830-9](#)
[4-6600333-3](#) [51142-0214](#) [10134048-911LF](#) [10130248-005LF](#) [6600320-3](#)