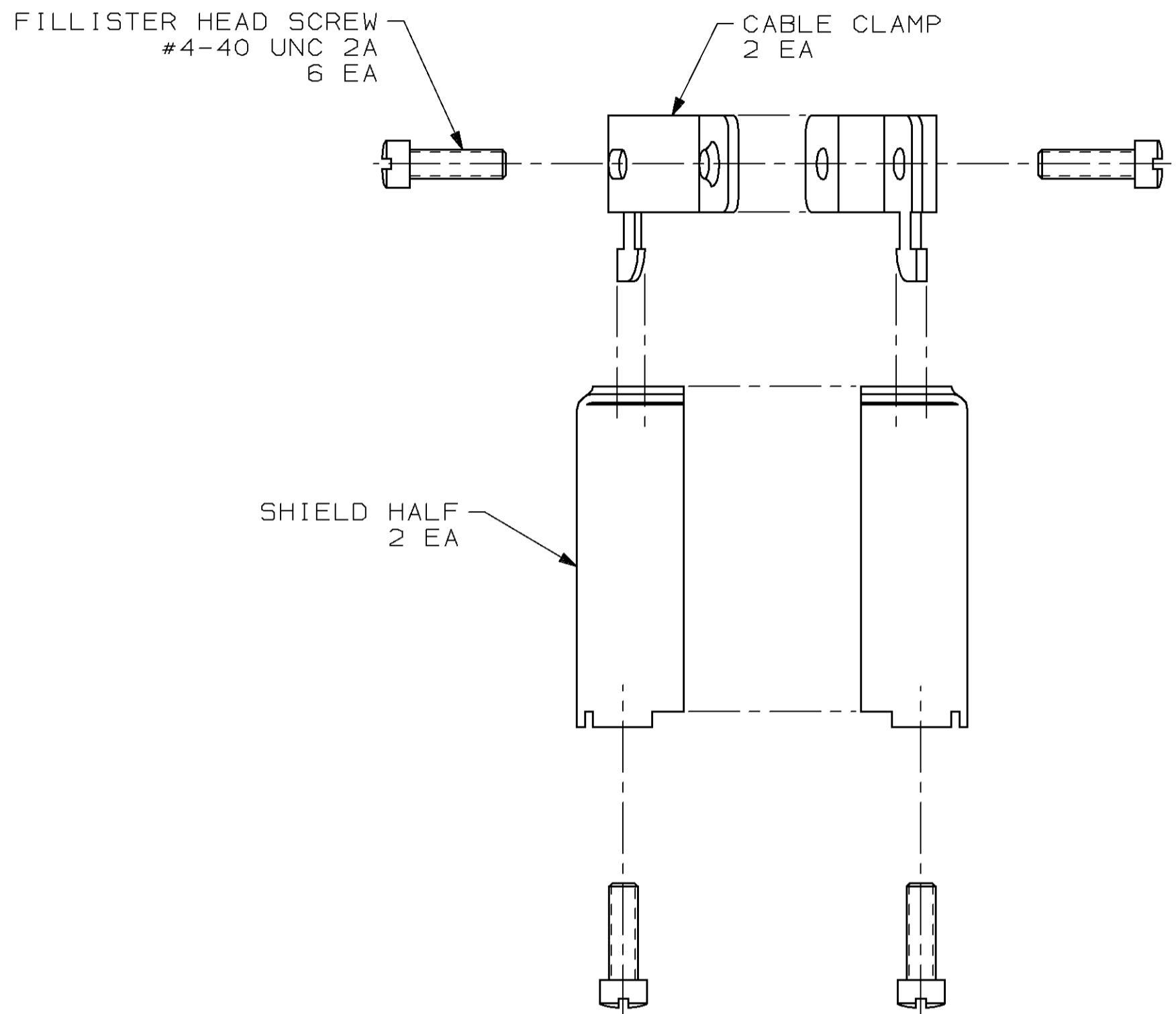
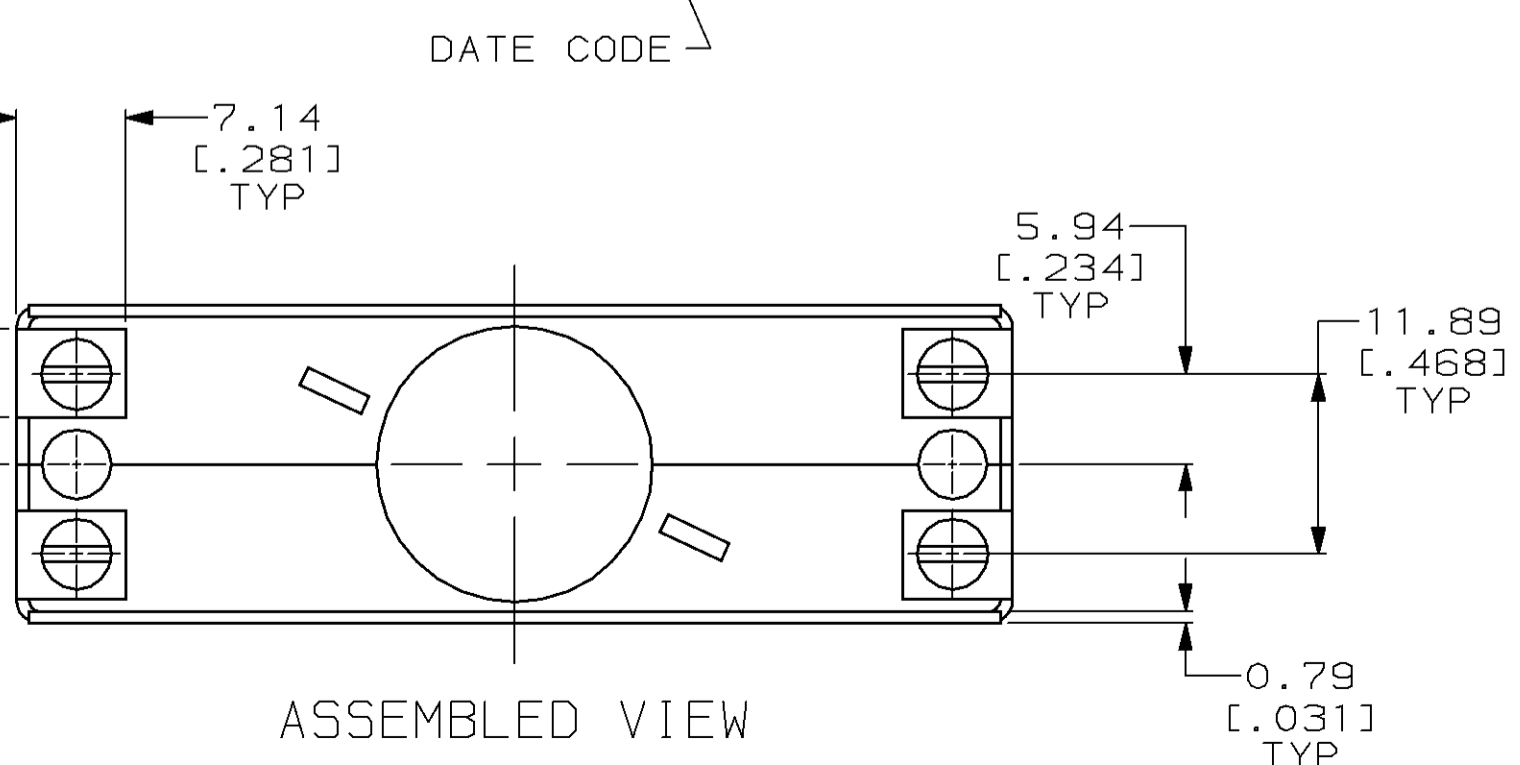
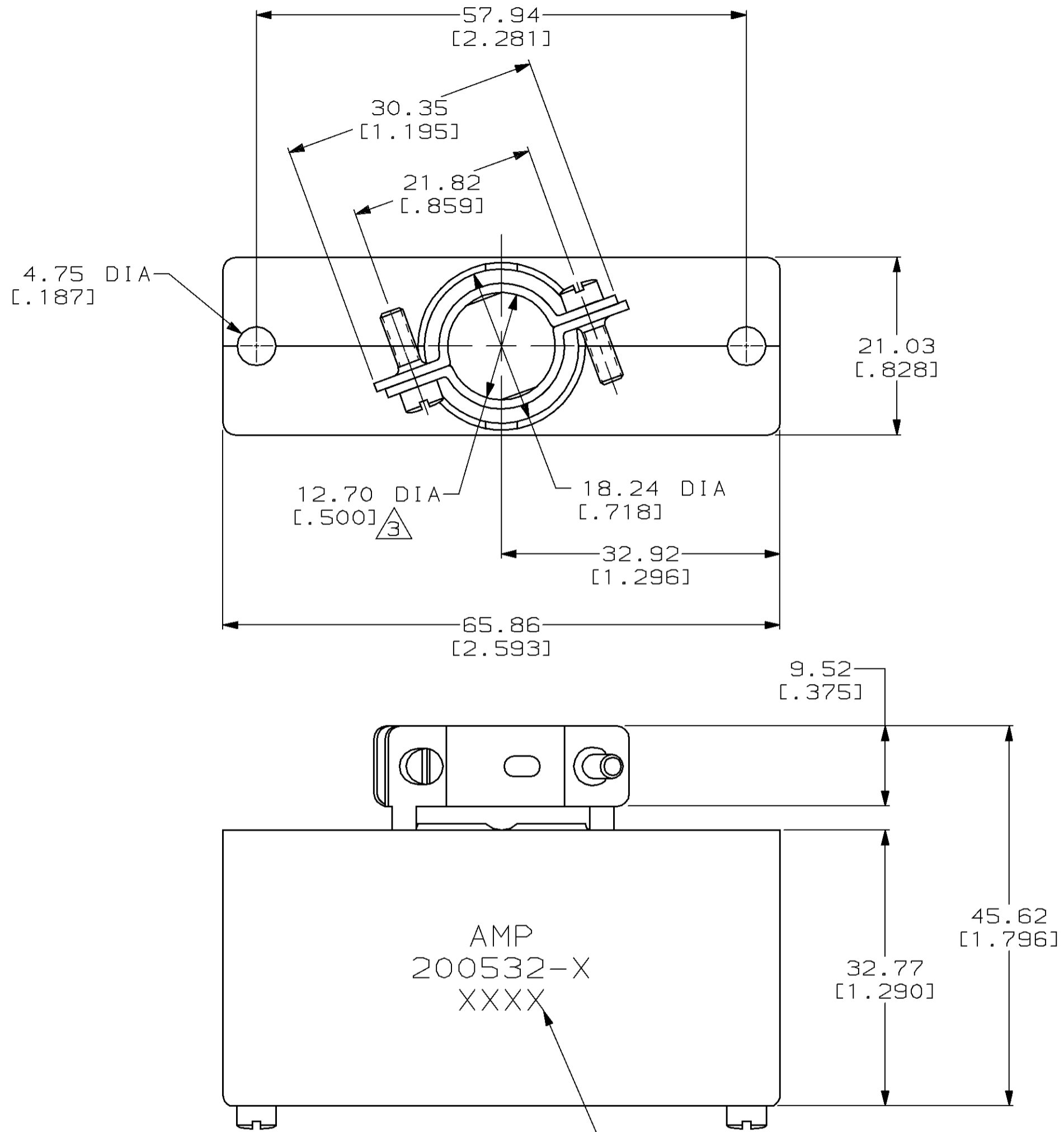


THIS DRAWING IS UNPUBLISHED. RELEASED FOR PUBLICATION
 BY AMP INCORPORATED. ALL RIGHTS RESERVED.

LOC		DIST		REVISIONS			
P	LTR	DESCRIPTION	DATE	DWN	APVD		
BD	36	Y	REDRAWN PER EC 0020-929-95	25 SEP 95	-	-	



- ① SHIELD HALF: SEE TABLE.
CABLE CLAMP & SCREWS: CARBON STEEL.
- ② SHIELD HALF: SEE TABLE.
CABLE CLAMP: 5.08μm [.000200] MIN NICKEL.
SCREWS: ZINC PLATED.
- ③ DIAMETER WILL ACCEPT 50 WIRES OF .065 MAX OD.

5.08μm [.000200] MIN NICKEL	CARBON STEEL	200532-2
CLEAR ANODIZE	ALUMINUM	200532-1
SHIELD FINISH	SHIELD MATERIAL	PART NUMBER

DIMENSIONS:		TOLERANCES UNLESS OTHERWISE SPECIFIED:		DWN		NAME	
mm	[INCHES]						
0 PLC	±-	1 PLC	±-	C. REIFSNYDER	25 SEP 95	AMP Incorporated	
2 PLC	±0.38 [.015]	2 PLC	±-	R. STONE	15 SEP 95	Harrisburg, PA 17105-3608	
3 PLC	±-	3 PLC	±-	APVD	G. STEINHAUER	NAME	
4 PLC	±-	4 PLC	±-	PRODUCT SPEC		SHIELD KIT, UNASSEMBLED, 50 PLACE, M SERIES	
ANGLES	±-	FINISH	±-	APPLICATION SPEC		SIZE	CAGE CODE
				WEIGHT	-	A2	00779
				CUSTOMER DRAWING		DRAWING NO	C=200532
						SCALE	2:1
						SHEET	1 OF 1
						REV	Y

X-ON Electronics

Largest Supplier of Electrical and Electronic Components

Click to view similar products for [Rack & Panel Connectors](#) category:

Click to view products by [TE Connectivity](#) manufacturer:

Other Similar products are found below :

[00171410002](#) [00171420202](#) [00171440002](#) [02-014-013-5200-000](#) [613467-000](#) [CTJ112E01E-513](#) [CTJ116E03A-513](#) [66020-2](#) [CW8958-000](#)
[699886-000](#) [D250-50632](#) [70.400.3240.0](#) [70.955.2453.3](#) [733753-000](#) [F22831-000](#) [780-522-DPX34RG8-02](#) [8660-501](#) [87.060.0053.0](#)
[900709N001](#) [928358-1](#) [D-659-0061](#) [1-445717-6](#) [1484469-2](#) [1604997-2](#) [MTC100-BF1-P31CS015](#) [MTC100-KT2-0083](#) [MTC100-KT2-0123-](#)
[003](#) [MTC100-YA1-005](#) [MTCQKT1R2PGCA](#) [MTCR-103-04S](#) [MTCX1X-100-100CS025](#) [1738331-1](#) [1757667-1](#) [1811481-1](#) [1883433-1](#)
[201046-7](#) [202648-4](#) [213364-1](#) [226503-000](#) [937028-164](#) [1663130-2](#) [172305-4](#) [AC-660022-701BP](#) [F36711-000](#) [202355-2](#) [202356-2](#) [G16S-A](#)
[G20S-AB](#) [CHA-0017-003](#) [CHA-0296](#)