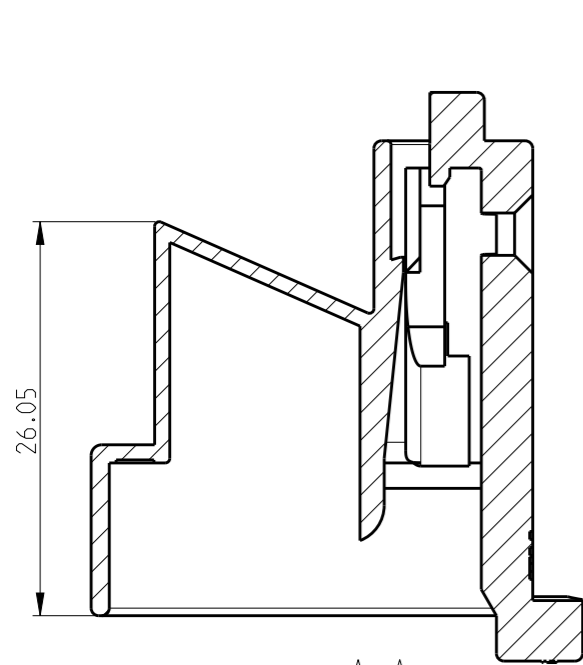
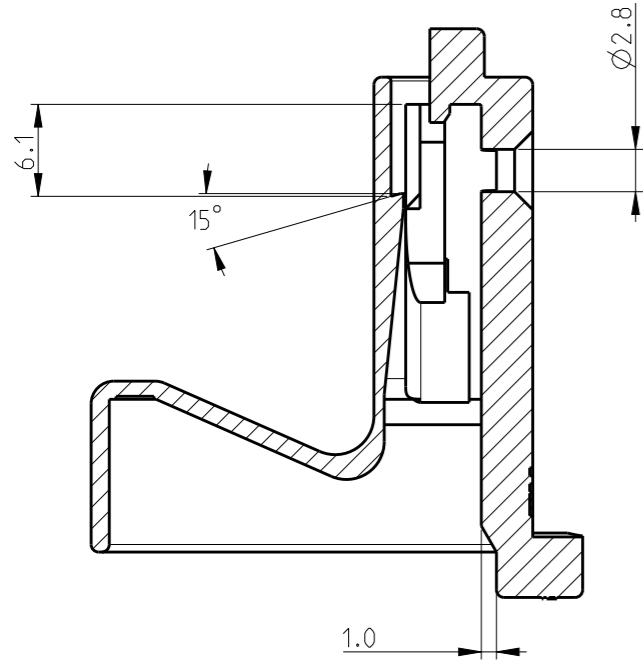


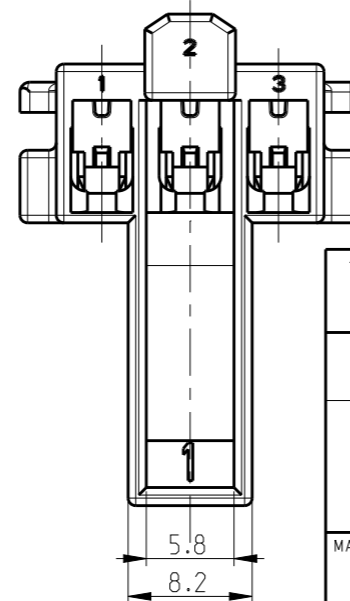
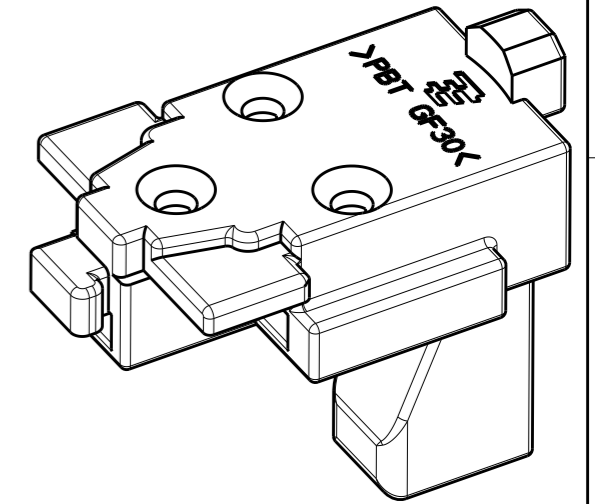
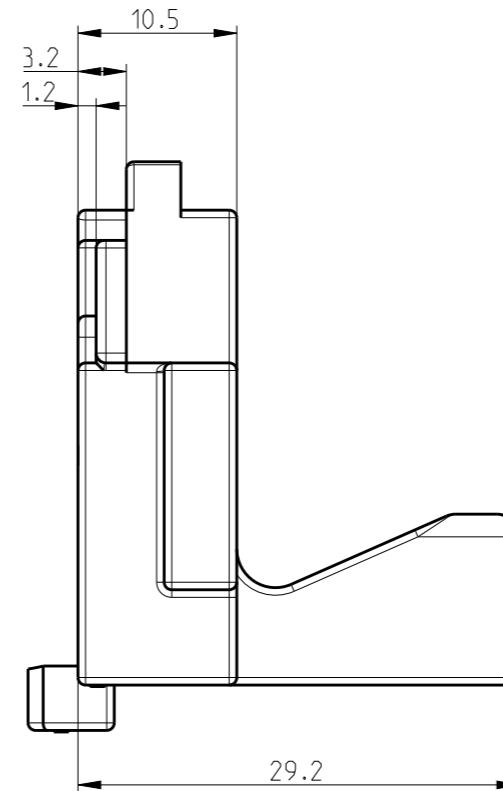
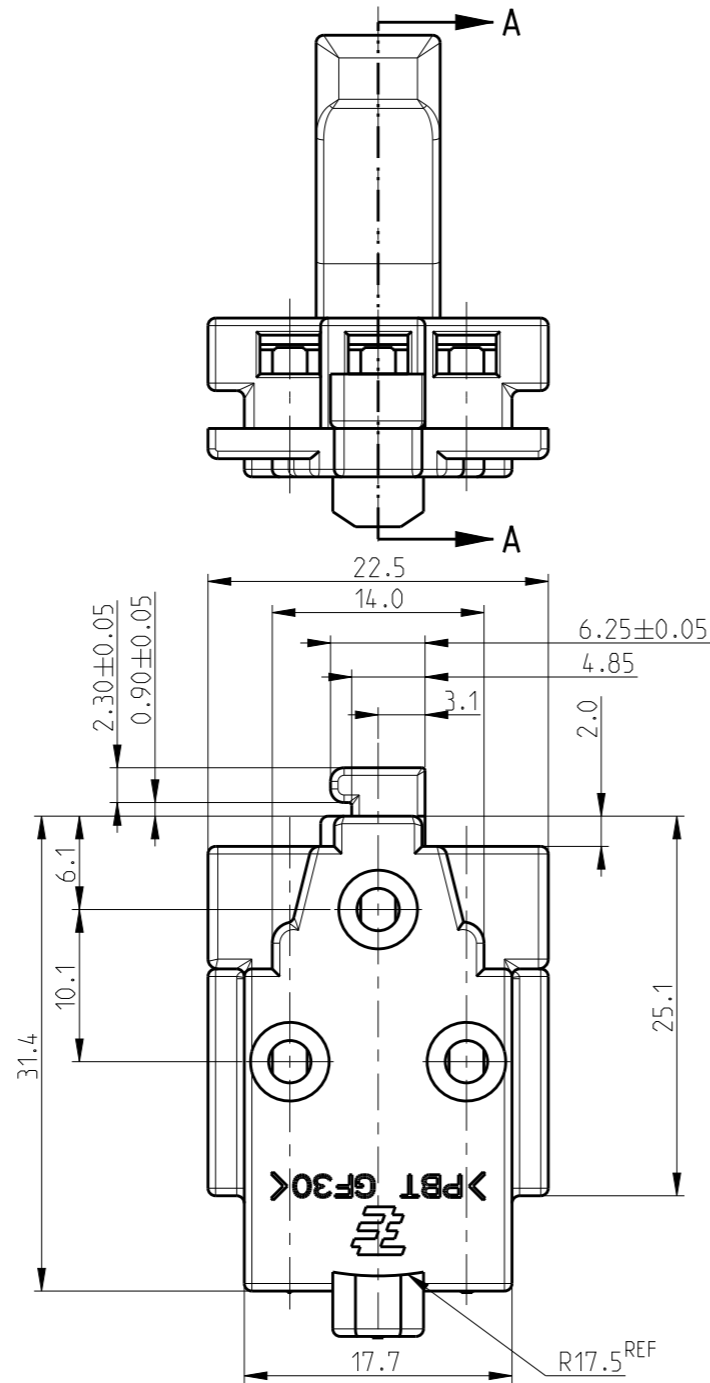
P	LTR	DESCRIPTION	DATE	DWN	APVD
	F2	NEW PN 3-2005820-9 RELEASE	03MAR2020	SE	PKS



SECTION A-A  
1-2005820-1 ONLY



SECTION A-A



NOTES:  
1. GENERAL TOLERANCE:  $\pm 0.2$ ,  $\pm 2^\circ$

② MATERIAL: PBT GF30, UL94V-0

③ MATERIAL: PBT GF30, UL94V-0, GW T

COLOR	MATERIAL	DESCRIPTION	P/N
BLACK	③	CLUSTER BLOCK 3P HSG WITH TPA (GW T)	3-2005820-9
		CLUSTER BLOCK 3P CLIP HSG WITH TPA (GW T)	2-2005820-9
GRAY	②	CLUSTER BLOCK 3P CLIP HSG	1-2005820-1 2005820-1

THIS DRAWING IS A CONTROLLED DOCUMENT.

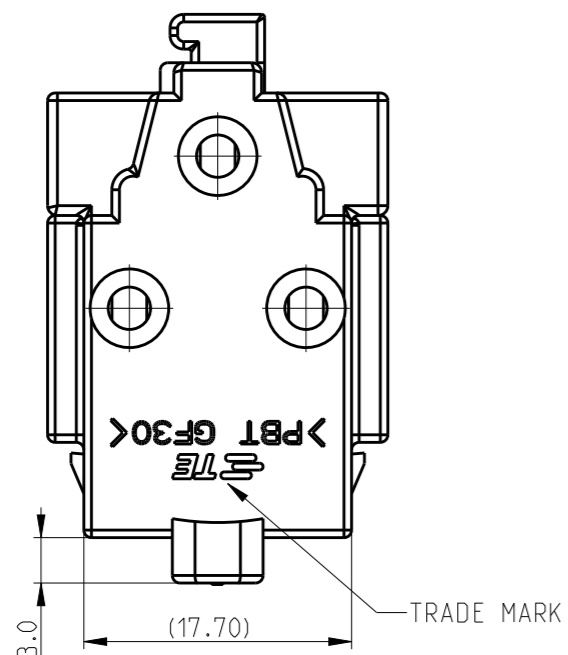
DIMENSIONS: mm	TOLERANCES UNLESS OTHERWISE SPECIFIED:
	0 PLC $\pm$
	1 PLC $\pm$
	2 PLC $\pm$
	3 PLC $\pm$
	4 PLC $\pm$
	ANGLES $\pm$
MATERIAL SEE NOTE	FINISH $\pm$

DWN SE JUNG	NAME
CHK BH CHO	CLUSTER BLOCK 3P CLIP HSG
APVD BW KANG	SIZE A3
PRODUCT SPEC 108-61156	CAGE CODE 00779
APPLICATION SPEC 114-5235	DRAWING NO C-2005820
WEIGHT	RESTRICTED TO
CUSTOMER DRAWING	SCALE 1:1

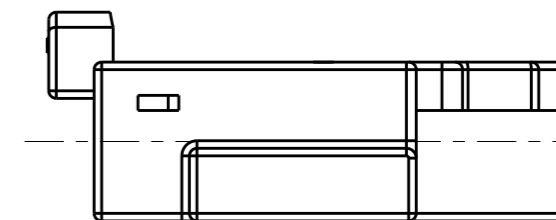
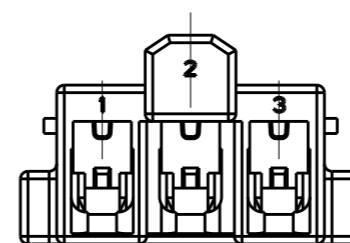
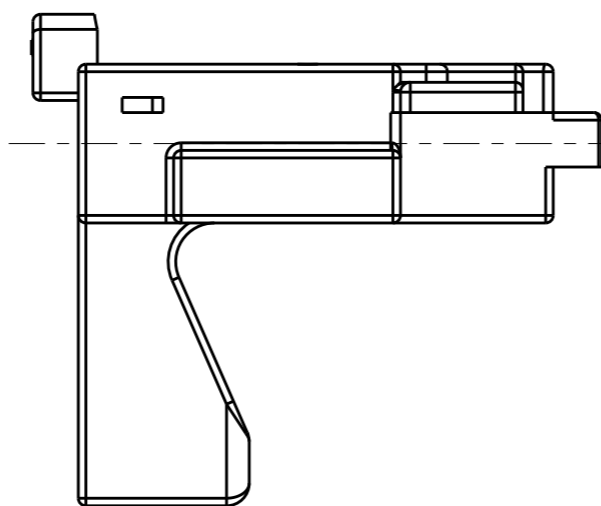
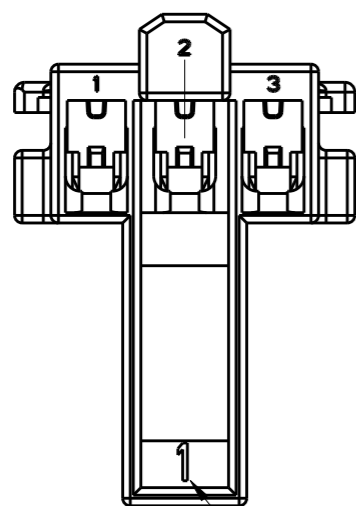
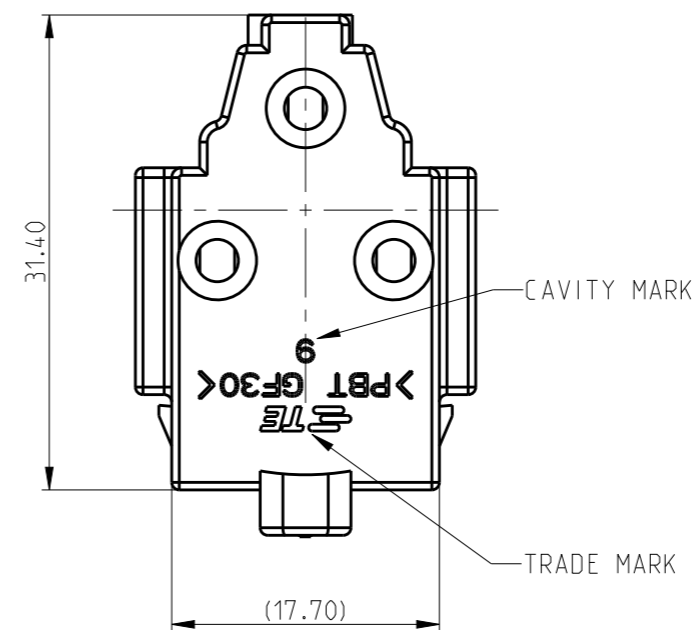
<b>TE</b> TE Connectivity	
CLUSTER BLOCK 3P CLIP HSG	
SHEET 1 OF 3	REV F2

P	LTR	DESCRIPTION	DATE	DWN	APVD
-		SEE SHEET 1	-	-	-

2-2005820-9 ONLY



3-2005820-9 ONLY



THIS DRAWING IS A CONTROLLED DOCUMENT.

DIMENSIONS: mm	
MATERIAL SEE NOTE	

TOLERANCES UNLESS OTHERWISE SPECIFIED:	
0 PLC	±
1 PLC	±
2 PLC	±
3 PLC	±
4 PLC	±
ANGLES	±
FINISH	

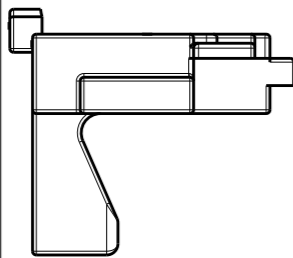
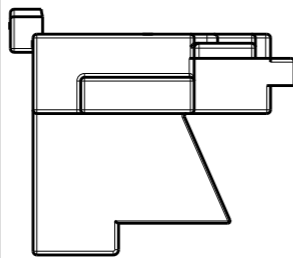
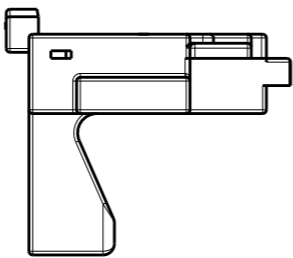
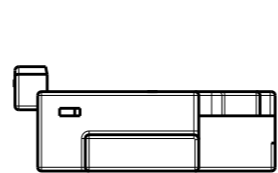
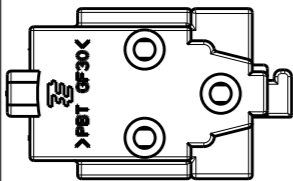
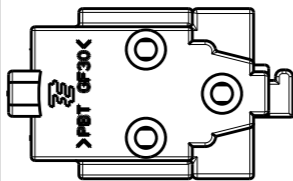
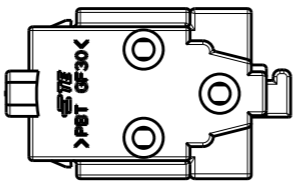
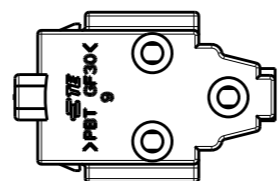
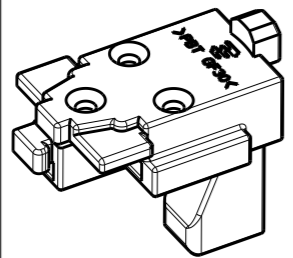
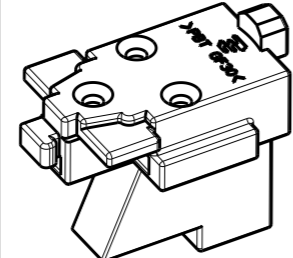
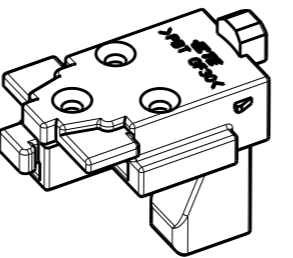
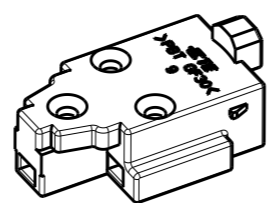
DWN SE JUNG
CHK BH CHO
APVD BW KANG
PRODUCT SPEC 108-61156
APPLICATION SPEC 114-5235
WEIGHT


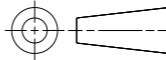
<b>TE</b> TE Connectivity			
NAME CLUSTER BLOCK 3P CLIP HSG			
SIZE A3	CAGE CODE 00779	DRAWING NO C-2005820	RESTRICTED TO

CUSTOMER DRAWING SCALE 1:1 SHEET 2 OF 3 REV F2

P	LTR	DESCRIPTION	DATE	DWN	APVD
	-	SEE SHEET 1	-	-	-

# CODING TABLE

NAME P/N	STANDARD TYPE 2005820-1	BOSS TYPE 1-2005820-1	TPA TYPE 2-2005820-9	NO GRIP TYPE 3-2005820-9
VIEW				
				
				

THIS DRAWING IS A CONTROLLED DOCUMENT.		DWN SE JUNG	 TE Connectivity	
DIMENSIONS: mm		CHK BH CHO		
		APVD BW KANG	NAME CLUSTER BLOCK 3P CLIP HSG	
		PRODUCT SPEC 108-61156	SIZE A3	CAGE CODE 00779
MATERIAL SEE NOTE		APPLICATION SPEC 114-5235	RESTRICTED TO	
		WEIGHT		
		CUSTOMER DRAWING	SCALE 2:1	SHEET 3 OF 3
			REV F2	

## X-ON Electronics

Largest Supplier of Electrical and Electronic Components

*Click to view similar products for [Terminals](#) category:*

*Click to view products by [TE Connectivity](#) manufacturer:*

Other Similar products are found below :

[00-054007-01074-6](#) [00-054007-70206-1](#) [00-054007-70210-8](#) [00-054007-70217-7](#) [00-054007-70226-9](#) [00-054007-70228-3](#) [00-054007-70248-1](#) [00-054007-70256-6](#) [00-054007-70301-3](#) [00-054007-70316-7](#) [00-054007-49560-4](#) [00-054007-70209-2](#) [00-054007-70225-2](#) [00-054007-70227-6](#) [00-054007-70231-3](#) [00-054007-70241-2](#) [00-054007-70242-9](#) [00-054007-70244-3](#) [00-054007-70246-7](#) [00-054007-70263-4](#) [00-054007-70288-7](#) [00-054007-70290-0](#) [00-054007-70300-6](#) [00-054007-70304-4](#) [01-2065-1-0216](#) [01-2900-1-04412](#) [00581P0075](#) [600TS-10](#) [60205-1](#) [604200-1](#) [605601-1](#) [60598-1-CUT-TAPE](#) [61314-6-C](#) [61810-3](#) [61-S](#) [61-SN](#) [626-0194](#) [62-NBM-A](#) [62-SN](#) [62-SP](#) [63-S](#) [640179-1](#) [M55155/059I03](#) [M55155/079C01](#) [M55155/099H02](#) [M55155/109H01](#) [M55155/109H02](#) [M55155/12XH05](#) [M55155/16XH02](#) [M55155/29-5S](#)