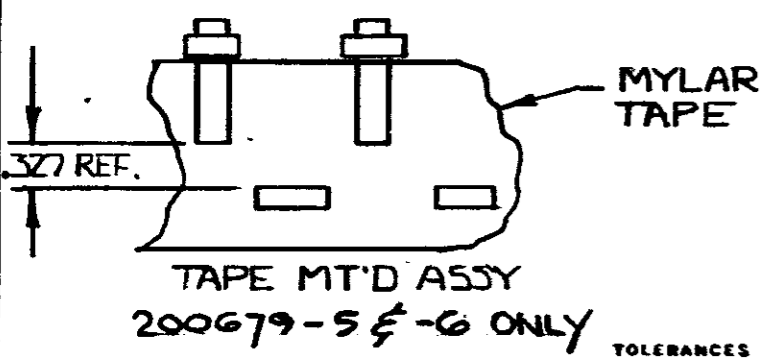
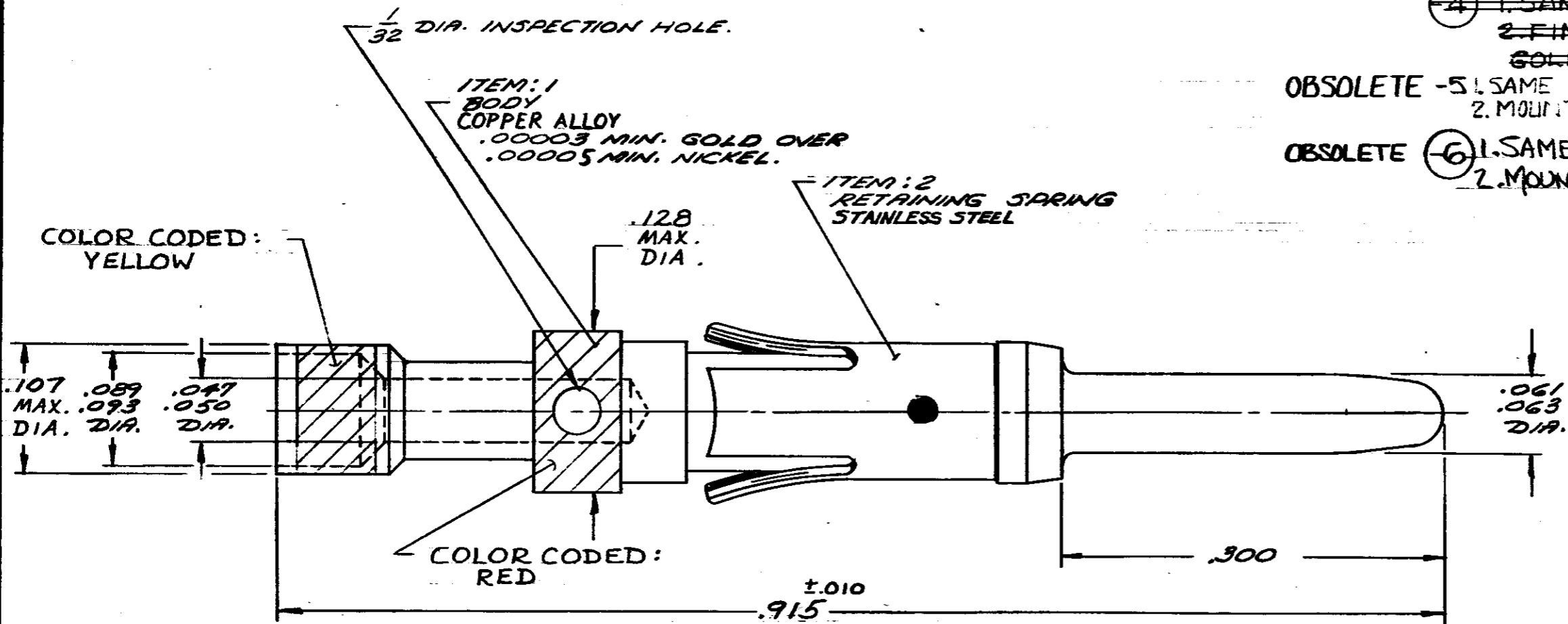


**WHEN ORDERING CONTACT ON TAPE, ORDER BY THE TAPE NUMBER PLUS THE PACKAGING CODE AS FOLLOWS:**

1. FOR USE WITH AMP TAPETRONIC, PNEUMATIC TOOL-
  - A. 1000 PARTS TO A BOX ADD PACKAGING CODE: 1MBOX
2. FOR USE WITH 4/8 INDENT STRIPPER CRIMPER-
  - A. 1000 PARTS TO A REEL ADD PACKAGING CODE: 1MREEL
  - B. 5000 PARTS TO A REEL ADD PACKAGING CODE: 5MREEL

- (-1) 1. AS SHOWN.
- (-2) 1. SAME AS -1 EXCEPT:  
2. FINISH: ITEM 1: .0001 MIN. AVE SILVER OVER .00003 MIN. NICKEL.
- OBSOLETE (-3) 1. SAME AS -1 EXCEPT:  
2. FINISH ITEM 1: .000015 MIN. GOLD OVER .00005 MIN. NICKEL.
- (-4) 1. SAME AS -1 EXCEPT:  
2. FINISH ITEM 1: .00003 MIN. GOLD OVER .00003 MIN. NICKEL.
- OBSOLETE (-5) 1. SAME AS -1 EXCEPT:  
2. MOUNTED ON TAPE.
- OBSOLETE (-6) 1. SAME AS -4 EXCEPT:  
2. MOUNTED ON TAPE.



TOLERANCES EXCEPT AS NOTED:  
 DECIMALS: ± .008  
 FRACTIONS: ± 1/64  
 ANGLES: ± 12°

REV	DESCRIPTION	DATE	CHK	DR
V	OBS -3 PER ECN 802619	10-89	CS	J.S.
U	OBSOLETE -5 BD3036	9-89	SW	J.S.
T	REV PER ECN 802619	3-89	THW	J.S.
S	OBS -6 / 54623	5-87	MMH	THW
LTR	REVISION RECORD			

NUMBER 200679	REQUIRED PER ASSEMBLY		©1967 BY AMP INCORPORATED. ALL RIGHTS RESERVED. AMP PRODUCTS COVERED BY PATENTS AND/OR PATENTS PENDING.		CUSTOMER COPY REFERENCE ONLY	
	DR	P. Owen 2-24-61	MATERIAL AND FINISH SEE CALL OUT		AMP INCORPORATED HARRISBURG, PENNA.	
	CHK		WIRE - RANGE - INSULATION 24-20 - H		CLASS SPECIAL SHORT	
	DE	2-28-61	TOLERANCE - EXCEPT AS NOTED ± .015		TYPE II	
APP	J. Zimmerman 2-28-61	SCALE	10-1	LOC	BD B	NO 200679
DESCRIPTION			NAME #16 CONTACT - PIN			

DIMENSIONS IN INCHES. DO NOT SCALE PRINT.

**CUSTOMER DRAWING**

## X-ON Electronics

Largest Supplier of Electrical and Electronic Components

*Click to view similar products for [Pin & Socket Connectors](#) category:*

*Click to view products by [TE Connectivity](#) manufacturer:*

Other Similar products are found below :

[6450822-1](#) [770392-1](#) [794042-1](#) [796885-1](#) [8-794535-1](#) [881459-2](#) [R929993003](#) [1-350779-3](#) [1403611-1](#) [1-480349-5](#) [152302-5](#) [1586092-1](#)  
[1586129-1](#) [1586487-1](#) [1586681-4](#) [1586700-1](#) [1586065-1](#) [1586077-1](#) [1586368-1](#) [1586380-1](#) [1586616-1](#) [1586680-5](#) [1586681-2](#) [1604996-1](#)  
[16-06-0038](#) [164164-5](#) [1-6609930-1](#) [172296-1](#) [1-794714-6](#) [19-09-2035](#) [1969804-1](#) [200503-1](#) [200788-2](#) [201046-7](#) [202648-4](#) [2029076-2](#)  
[2029090-4](#) [2029095-4](#) [2-66102-6](#) [925061-7](#) [926681-1](#) [293734-4](#) [293737-2](#) [1-765362-4](#) [1-794606-3](#) [1871534-1](#) [1969795-1](#) [1969798-1](#)  
[1969800-1](#) [200833-4](#)