

© 1961 BY AMP INCORPORATED. ALL RIGHTS RESERVED. AMP PRODUCTS COVERED BY PATENTS AND/OR PATENTS PENDING.

200681-1
200681-2

OBSOLETE

OBSOLETE 200681-3

OBSOLETE 200681-4

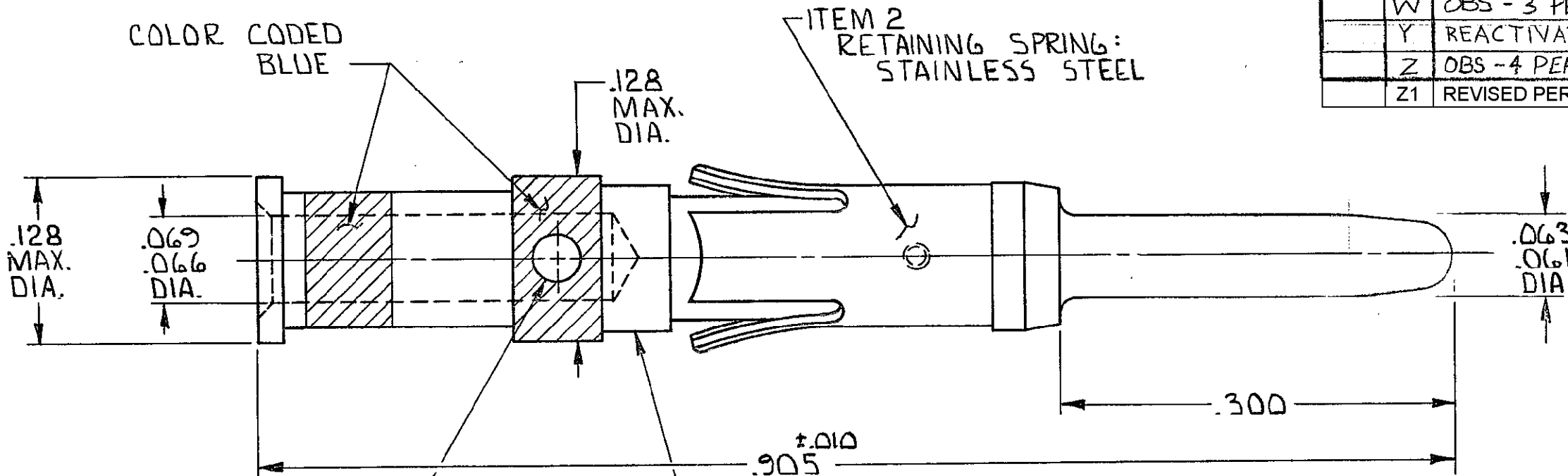
OBSOLETE 200681-5

- 1. AS SHOWN
- 1. SAME AS -1 EXCEPT:
2. FINISH ITEM 1: .0001 SILVER OVER .00003 NICKEL.
- 1. SAME AS -1 EXCEPT:
2. MOUNTED ON TAPE.
- 1. SAME AS -1 EXCEPT:
2. FINISH ITEM 1: .00005 MIN GOLD OVER .00005 MIN NICKEL
- 1. SAME AS -4 EXCEPT:
2. MOUNTED ON TAPE.

NOTE:

1 OBSOLETE PARTS: OBSOLETE CIS STREAMLINING PER D.RENAUD/D.SINISI

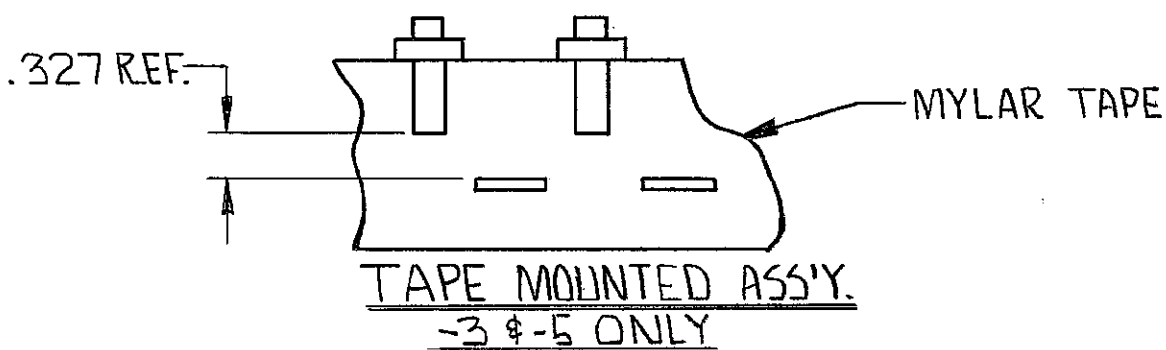
REVISIONS				
ZONE	LTR	DESCRIPTION	DATE	APPROVED
	K	REVISED & REDRAWN PER B-131&B-17	4/2/71	RS/RPM
B-1	K1	NOTE ADDED ECN B-141	7/16/71	JW/RS
	L	REVISED PER ECN B-840	8/3/72	GM
	M	OBSOLETE -5 ECN C-776 AS	4-15-74	RS
	N	REACTIVATE -5 PER ECN E-530	7/26/76	PH/JM
	P	OBSOLETE -5 PER ECN J-496	11/15/82	TKH/SP
	R	OBS. -2 PER ECN R-2753	3-17-87	MPH/THW
	S	REVISED ECN S4142	9-17-87	THW
	T	OBS -3 PER ECN S4350	12-15-87	THW
	U	REACTIVATE -3 PER ECN S4462	3-1-88	THW
	V	REV PER ECN B22619	3-20-89	THW
	W	OBS -3 PER ECN 0020-344-93	6-2-93	RSK
	Y	REACTIVATE -3 EC 0020-732-93	7-9-93	GS
	Z	OBS -4 PER EC 0020-0184-93	11-16-94	RK
	Z1	REVISED PER ECO-09-026346	26NOV09	AEG



±.015
.031 DIA.
INSPECTION HOLE

ITEM 1
BODY: COPPER ALLOY
.000030 MIN GOLD OVER
.000050 MIN NICKEL

WHEN ORDERING CONTACT ON TAPE, ORDER BY THE TAPE NUMBER PLUS THE PACKAGING CODE AS FOLLOWS:
1. FOR USE WITH AMP TAPETRONIC, PNEUMATIC TOOL -
A. 1000 PARTS TO A BOX ADD PACKAGING CODE: 1MBOX
2. FOR USE WITH 4/8 INDENT STRIPPER CRIMPER -
A. 1000 PARTS TO A REEL ADD PACKAGING CODE: 1MREEL
B. 5000 PARTS TO A REEL ADD PACKAGING CODE: 5MREEL



UNLESS OTHERWISE SPECIFIED DIMENSIONS ARE IN INCHES
TOLERANCES ON:
DECIMALS ±.005
ANGLES ±.1

MATERIAL
SEE CALLOUT

CONTRACT NO.	
DR	4/2/71
CHK	4/5/71
APPD	4/6/71
REL	4/6/71
DSGN APPD	
OTHER APPD	

		AMP INCORPORATED - HARRISBURG, PENNSYLVANIA	
		NAME	
# 16 CONTACT - PIN TYPE II - SPECIAL SHORT		SIZE	CODE IDENT NO.
		B	00779
		NUMBER	200681
SCALE		SHEET 1 OF 1	

X-ON Electronics

Largest Supplier of Electrical and Electronic Components

Click to view similar products for [Modular Connectors / Ethernet Connectors](#) category:

Click to view products by [TE Connectivity](#) manufacturer:

Other Similar products are found below :

[RJE231881317T](#) [MP1010RX-1000](#) [MP44RX-1000](#) [GAX-3-66](#) [GAX-8-62](#) [93606-0253](#) [GD-A-44](#) [GDCX-PA-66-50](#) [GDCX-PN-64](#) [GDCX-PN-66](#) [GDCX-PN-66-50](#) [GDLX-A-66](#) [GDLX-A-88](#) [GDLX-N-66](#) [GDLX-S-66](#) [GDLX-S-88K](#) [GDTX-S-88-50](#) [GDX-PA-1010](#) [GLX-N-1010M-BLK](#) [GLX-S-88M-BLK](#) [GMX-N-1010](#) [GMX-S-1010](#) [GMX-S-66](#) [GMX-SMT2-N-1010](#) [GMX-SMT2-N-64-50](#) [GMX-SMT2-N-88](#) [GMX-SMT2-S6-88](#) [GMX-SMT4-N-88](#) [GPX-2-64](#) [GRT1-BT1-5](#) [GSGX-N-2-88](#) [GSX-NS2-88-3.05](#) [GSX-NS2-88-3.05-50](#) [GSX-NS-88-3.05-30](#) [GSX-NS-88-3.05-50](#) [GSX-NS-88-3.68](#) [1-1775629-2](#) [GWLX-S-88-GR](#) [GWLX-S9-88-YG](#) [1300500326](#) [1300500227](#) [1300530003](#) [1300570002](#) [1324640-4](#) [RJ11FTVC2G](#) [RJ11FTVC2N](#) [RJFTVX2SA1G](#) [132764-001](#) [1400000](#) [1413235](#)