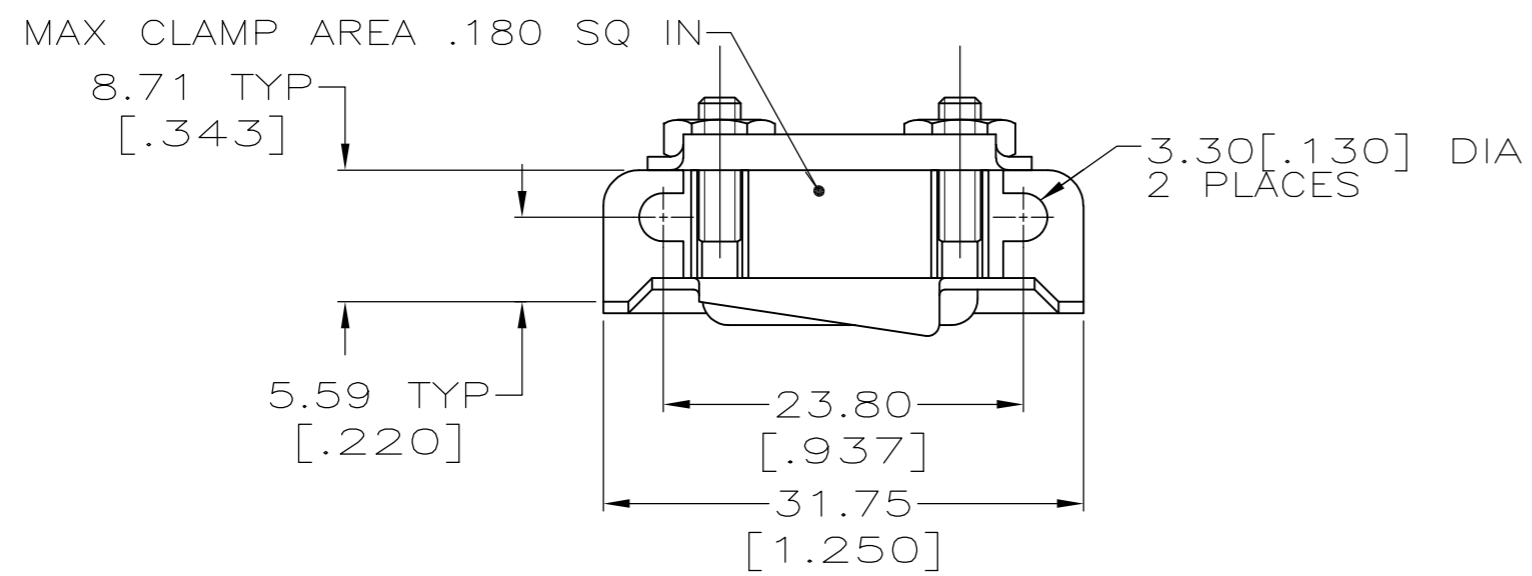
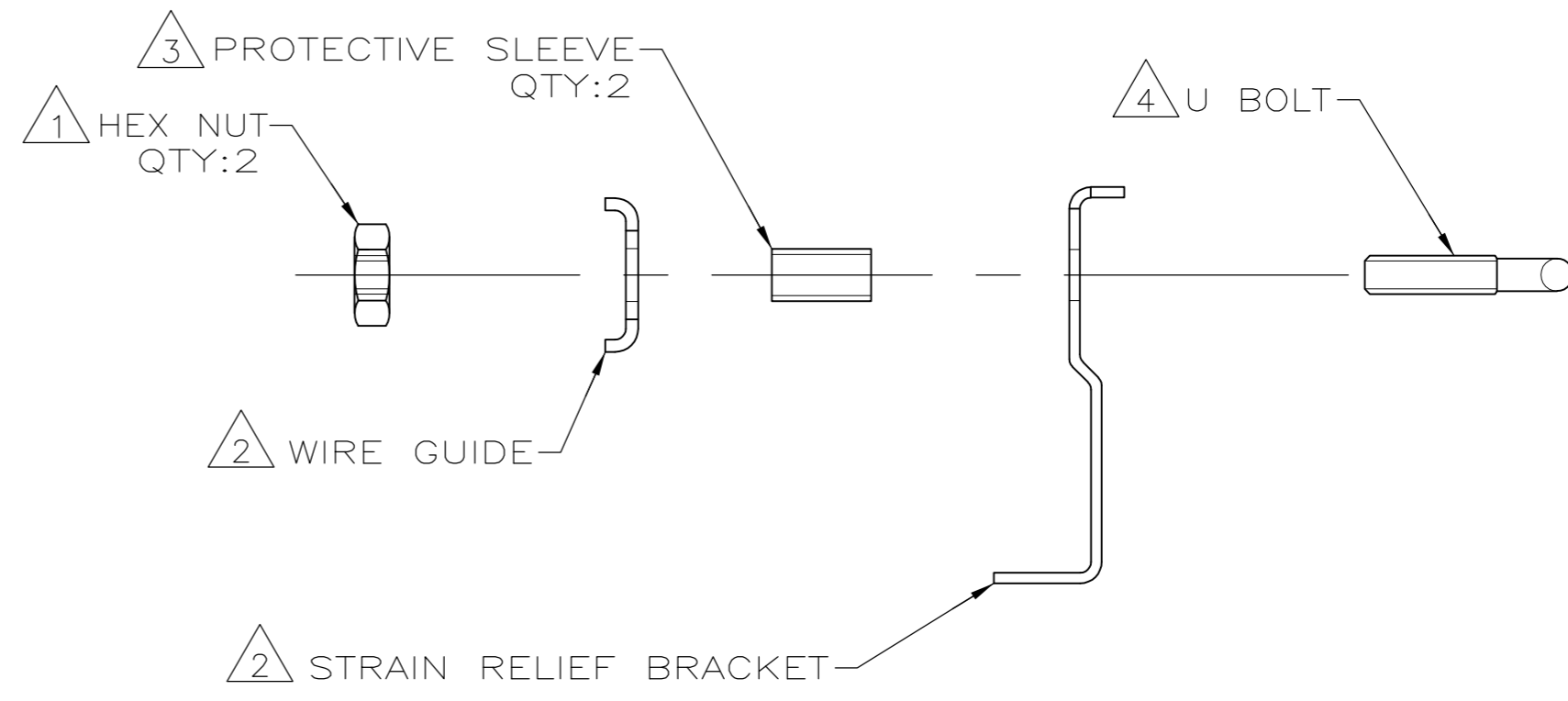
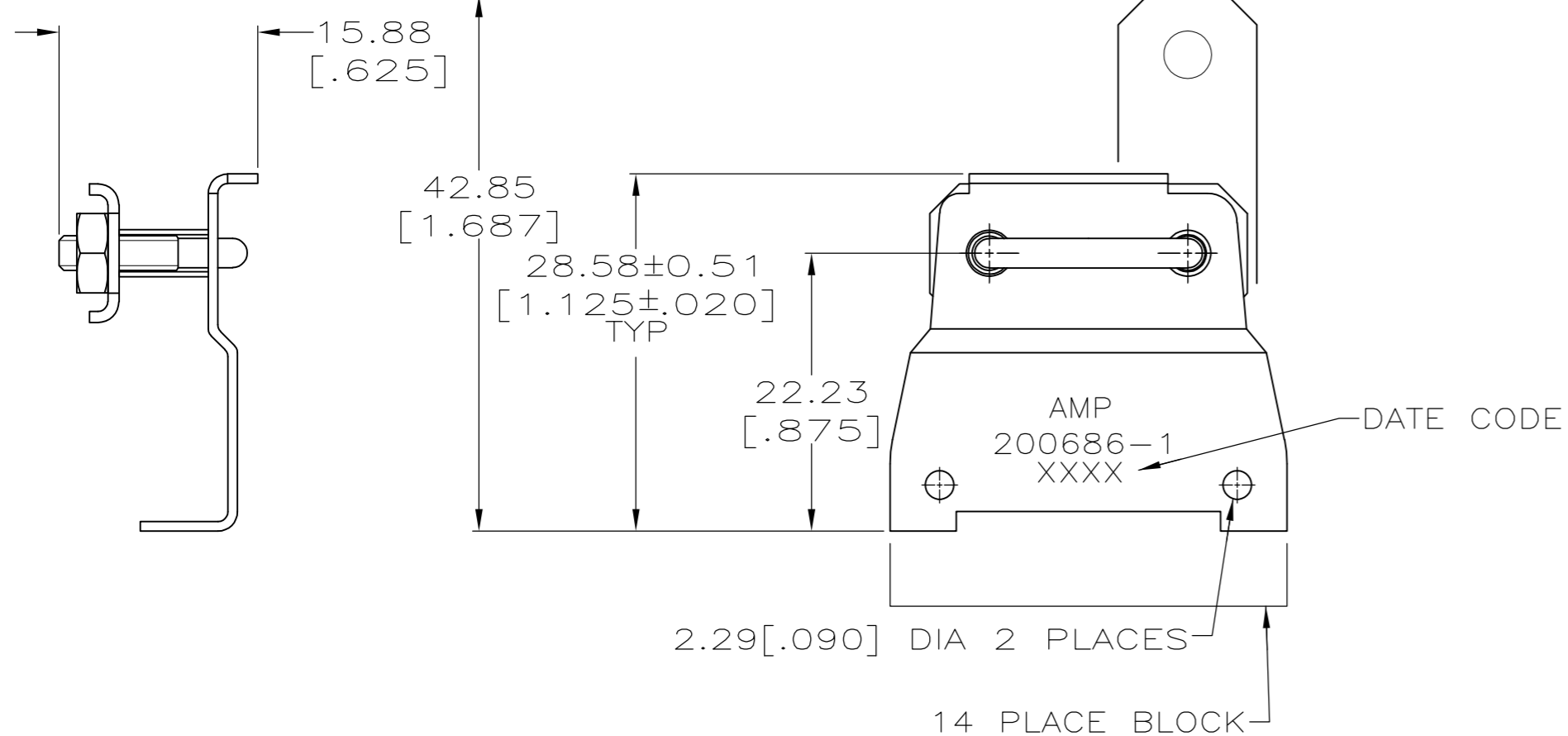


THIS DRAWING IS UNPUBLISHED. RELEASED FOR PUBLICATION
 © COPYRIGHT BY TYCO ELECTRONICS CORPORATION. ALL RIGHTS RESERVED.

LOC	DIST	REVISIONS			
P	LTR	DESCRIPTION	DATE	DWN	APVD
FT	0	M	REVISED PER ECO-08-031035	15DEC08	HMR GS



ALTERNATIVE POSITION OF WIRE GUIDE FOR 90° CABLE OUTLET.



ASSEMBLED VIEW

- 1 MATERIAL: CARBON STEEL. FINISH: ZINC PLATED
- 2 MATERIAL: CARBON STEEL. FINISH: 5.08um[.000200] MIN THICK NICKEL.
- 3 MATERIAL: FLEXIBLE PVC.
- 4 MATERIAL: STAINLESS STEEL. FINISH: PASSIVATED.

200686-4
200686-1
PART NUMBER

THIS DRAWING IS A CONTROLLED DOCUMENT.		DWN C.REIFSNYDER 17 MAY 95	Tyco Electronics Corporation	
DIMENSIONS: mm		CHK R.STONE 30 MAY 95	Harrisburg, Pa 17105-3608	
TOLERANCES UNLESS OTHERWISE SPECIFIED:		APVD G.STEINHAUER 05 OCT 95	NAME	
0 PLC ± -	1 PLC ± -	PRODUCT SPEC	CLAMP KIT, UNASSEMBLED, STRAIN RELIEF, 14 PLACE, RECTANGULAR, M SERIES	
2 PLC ± 0.38[.015]	3 PLC ± -	APPLICATION SPEC	SIZE A2	CAGE CODE 00779
4 PLC ± -	ANGLES ± -	WEIGHT -	DRAWING NO C=200686	RESTRICTED TO -
MATERIAL SEE CALLOUTS	FINISH SEE CALLOUTS	CUSTOMER DRAWING	SCALE 2:1	SHEET 1 OF 1
			REV M	

X-ON Electronics

Largest Supplier of Electrical and Electronic Components

Click to view similar products for [Rack & Panel Connectors](#) category:

Click to view products by [TE Connectivity](#) manufacturer:

Other Similar products are found below :

[00171410002](#) [00171420202](#) [00171440002](#) [02-014-013-5200-000](#) [613467-000](#) [CTJ112E01E-513](#) [CTJ116E03A-513](#) [66020-2](#) [CW8958-000](#)
[699886-000](#) [D250-50632](#) [70.400.3240.0](#) [70.955.2453.3](#) [733753-000](#) [F22831-000](#) [780-522-DPX34RG8-02](#) [8660-501](#) [87.060.0053.0](#)
[900709N001](#) [928358-1](#) [D-659-0061](#) [1-445717-6](#) [1484469-2](#) [1604997-2](#) [MTC100-BF1-P31CS015](#) [MTC100-KT2-0083](#) [MTC100-KT2-0123-](#)
[003](#) [MTC100-YA1-005](#) [MTCQKT1R2PGCA](#) [MTCR-103-04S](#) [MTCX1X-100-100CS025](#) [1738331-1](#) [1757667-1](#) [1811481-1](#) [1883433-1](#)
[201046-7](#) [202648-4](#) [213364-1](#) [226503-000](#) [937028-164](#) [1663130-2](#) [172305-4](#) [AC-660022-701BP](#) [F36711-000](#) [202355-2](#) [202356-2](#) [G16S-A](#)
[G20S-AB](#) [CHA-0017-003](#) [CHA-0296](#)