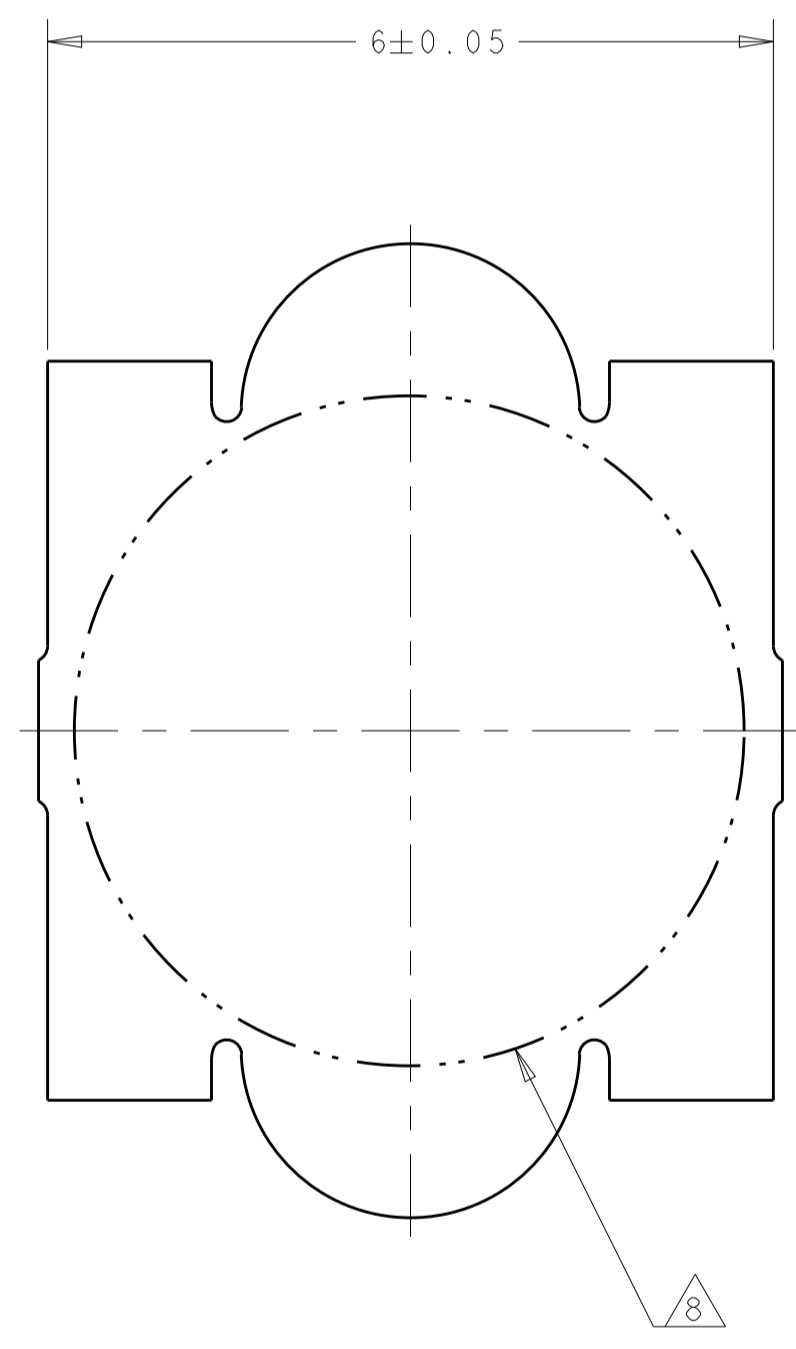
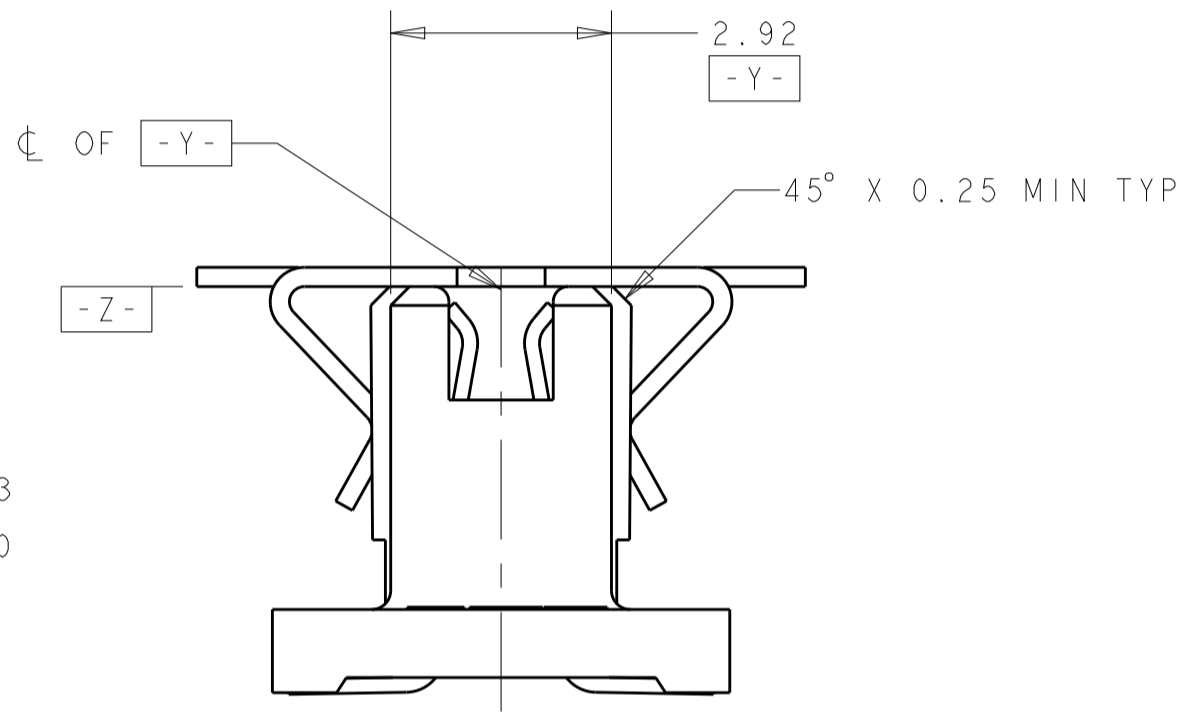
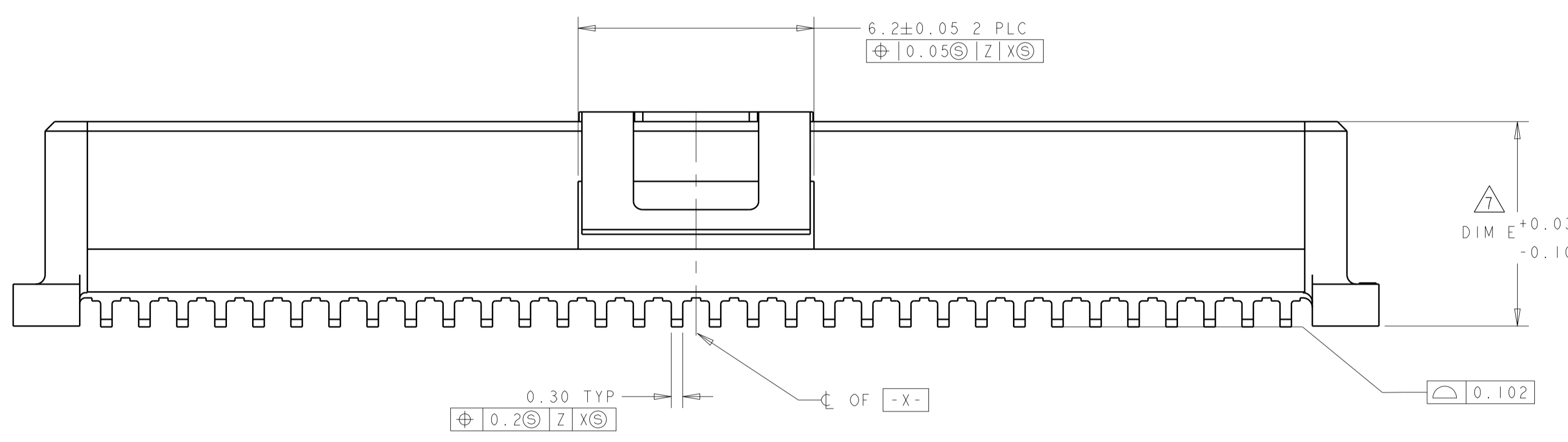
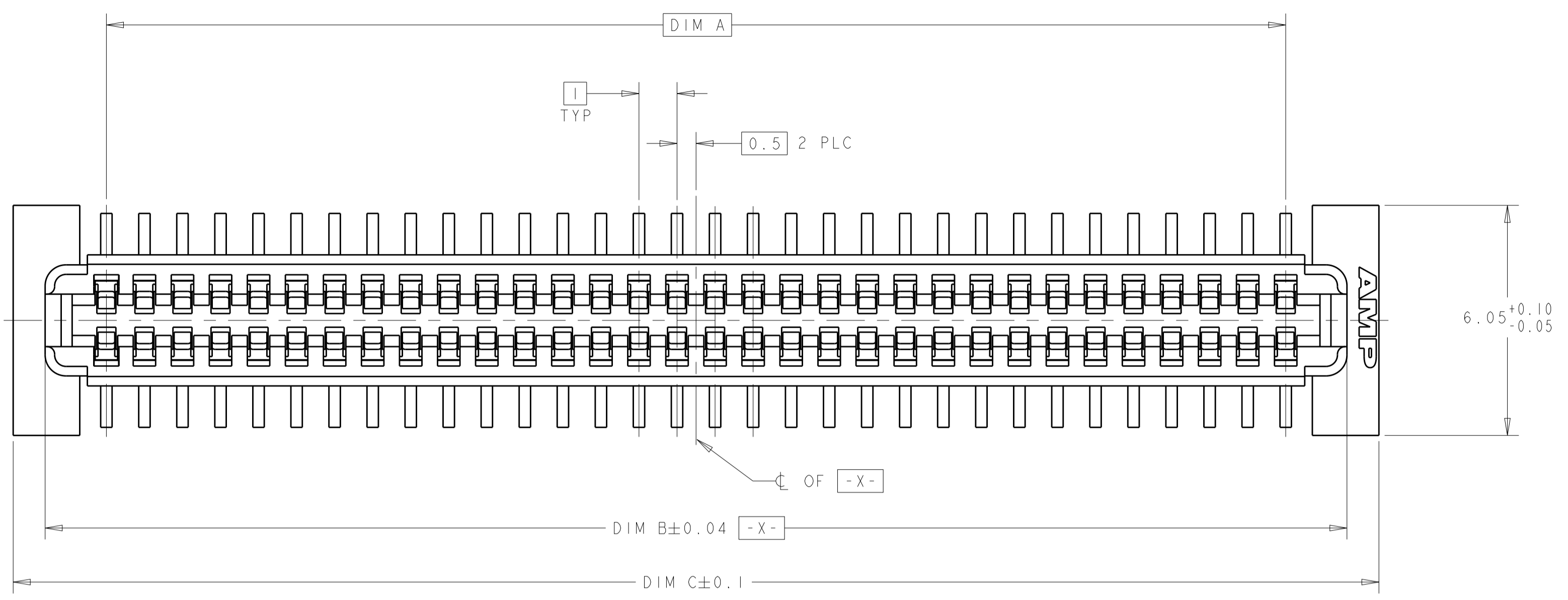
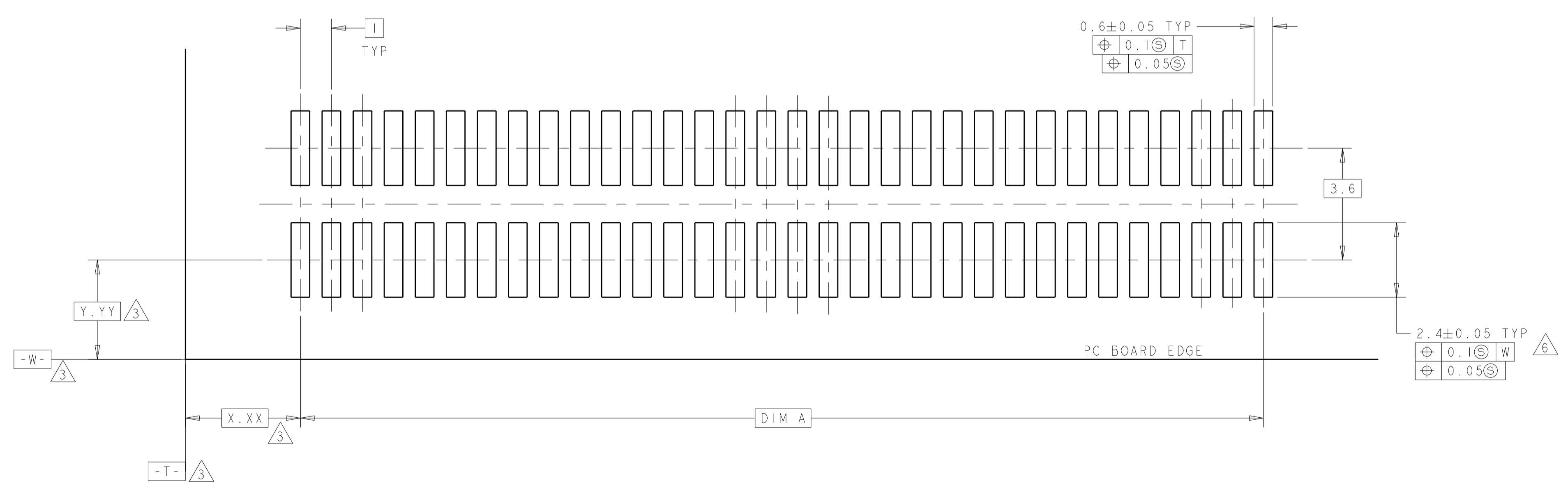


REVISIONS				
P.	LTN.	DESCRIPTION	DATE	DMN. APVD.
B	REV PER ECR-14-016951		11FEB2015	J. T. W. H.



VACUUM COVER



RECOMMENDED PC BOARD LAYOUT

- 1 HOUSING MATERIAL: POLYPHTHALAMIDE. COLOR: BLACK  
CONTACT MATERIAL: PHOSPHOR BRONZE
- 2 CONTACT FINISH: 0.002 MINIMUM BRIGHT TIN-LEAD (93-7)  
ON SOLDER AREA, 0.00127 MINIMUM GOLD ON MATING AREA,  
BOTH OVER 0.00127 MINIMUM NICKEL ON ENTIRE CONTACT.
- 3 DATUM LOCATIONS AND BASIC DIMENSIONS TO BE ESTABLISHED BY THE  
CUSTOMER. CONSULT AMP ENGINEERING WHEN PLACING MULTIPLE  
CONNECTORS ON A PC BOARD.
- 4. PACKAGED IN TAPE ON REEL PER EIA-481.
- 5. VACUUM COVER DESIGNED FOR 4mm DIA. NOZZLE. COVER TO BE REMOVED  
AFTER SOLDERING. COVER OMITTED FROM SOME VIEWS FOR DIMENSIONAL  
CLARITY.
- 6 SHORTER SOLDER LANDS MAY BE USED PER EIA 700AAAB, HOWEVER 2.4  
LENGTH ASSURES OPTIMUM SOLDER FILLET REGARDLESS OF  
MANUFACTURER OF CONNECTOR.
- 7 REFERRED TO AS DIM H IN EIA 700AAAB SPECIFICATION.
- 8 5.5 MIN DIA TARGET AREA FOR VACUUM PICK-UP.
- 9 SEE CATALOG FOR OTHER MATING CONNECTOR OPTIONS.

FINISH	DIM E	DIM C	DIM B	DIM A	MATING CONNECTOR	STACK HGTS	POS	TE PART NO
2	10.37	35.9	34.22	31	1-120534-1	15	64	2007009-5
2	10.37	35.9	34.22	31	1-120533-1	14	64	2007009-5
2	8.37	35.9	34.22	31	1-120534-1	13	64	2007009-4
2	7.37	35.9	34.22	31	1-120534-1	12	64	2007009-3
2	7.37	35.9	34.22	31	1-120533-1	11	64	2007009-3
2	5.37	45.9	44.22	41	1-120534-2	10	84	2007009-2
2	5.37	45.9	44.22	41	1-120533-2	9	84	2007009-2
2	5.37	45.9	44.22	41	1-120532-2	8	84	2007009-2
2	5.37	35.9	34.22	31	1-120534-1	10	64	2007009-1
2	5.37	35.9	34.22	31	1-120533-1	9	64	2007009-1
2	5.37	35.9	34.22	31	1-120532-1	8	64	2007009-1

THIS DRAWING IS A CONTROLLED DOCUMENT. DIMENSIONS: mm. TOLERANCES UNLESS OTHERWISE SPECIFIED: 0 PLC ±, 1 PLC ±, 2 PLC ±0.03, 3 PLC ±0.03, 4 PLC ±, ANGLES ±. MATERIAL: SEE TABLE. FINISH: SEE TABLE.

DMN: B. CARBO 04APR2007  
CHK: D. BRATINA 04APR2007  
APVD: D. BRATINA 04APR2007

NAME: RCPT ASSY, W/COVER, 1.0mmFH (IEEE1386) CONNECTOR

PRODUCT SPEC: 502-1079  
APPLICATION SPEC: 114-25045

SIZE: A1  
SCALE: 10:1  
SHEET: 1 OF 1  
REV: B

TE Connectivity

## X-ON Electronics

Largest Supplier of Electrical and Electronic Components

*Click to view similar products for [Board to Board & Mezzanine Connectors](#) category:*

*Click to view products by [TE Connectivity](#) manufacturer:*

Other Similar products are found below :

[589158040000018](#) [MDF7C-18P-2.54DSA\(55\)](#) [FCN-230C068-11](#) [FCN-268F012-G/BD](#) [FCN-268F036-G/BD](#) [FCN-268M012-G/0D](#) [FCN-268M024-G/1D](#) [FCN-723J004/1](#) [MIS-048-01-F-D-DP-K](#) [832-10-034-10-001000](#) [FX4C-80S-1.27DSA](#) [FCN-214Q030-G/0](#) [FCN-234P048-G/0](#) [FCN-235D050-G/C](#) [210-93-314-41-105000](#) [2-22603-0](#) [MDF7-40DP-2.54DSA\(55\)](#) [AXG720047](#) [5031084030](#) [MIT-114-03-F-D-K](#) [55323-1519](#) [DF33-2P-3.3DSA\(24\)](#) [YFT-20-05-H-03-SB-K](#) [503308-3040](#) [026-6203-PDB](#) [027-6203-PDB](#) [069159702701000](#) [10123981-102LF](#) [101A10019X](#) [55650-0588-C](#) [68682-310LF](#) [68684-306](#) [75140-7012](#) [87471-650](#) [194261-1](#) [FCN-268F024-G0D](#) [10124054-515LF](#) [68685-603](#) [8-1616154-3](#) [MIS-019-01-F-D](#) [FCN-268M024-G/3D](#) [20021832-06016C1LF](#) [KX15-20KLDL-E1000E](#) [MDF7-16DP-2.54DSA\(55\)](#) [AXE810124](#) [FCN-214J100-G/0](#) [FCN-230C068-E/S](#) [AXE812124](#) [AXE816124](#) [AXE720127](#)