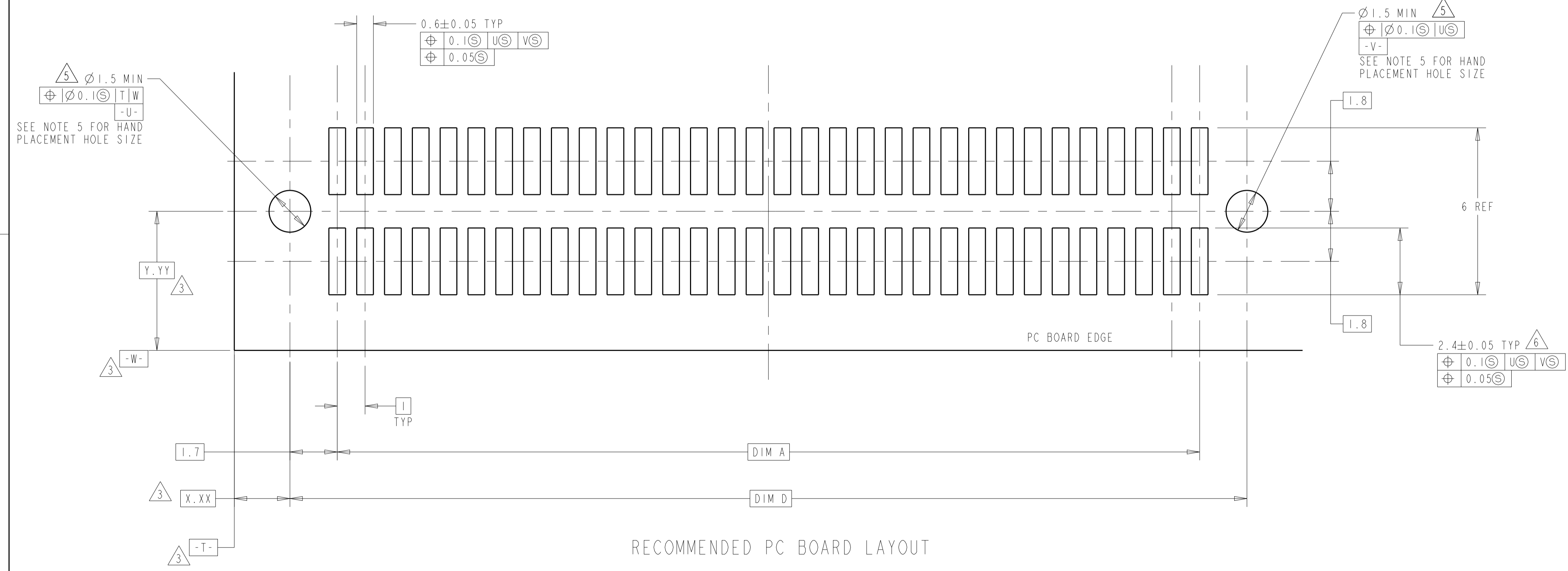
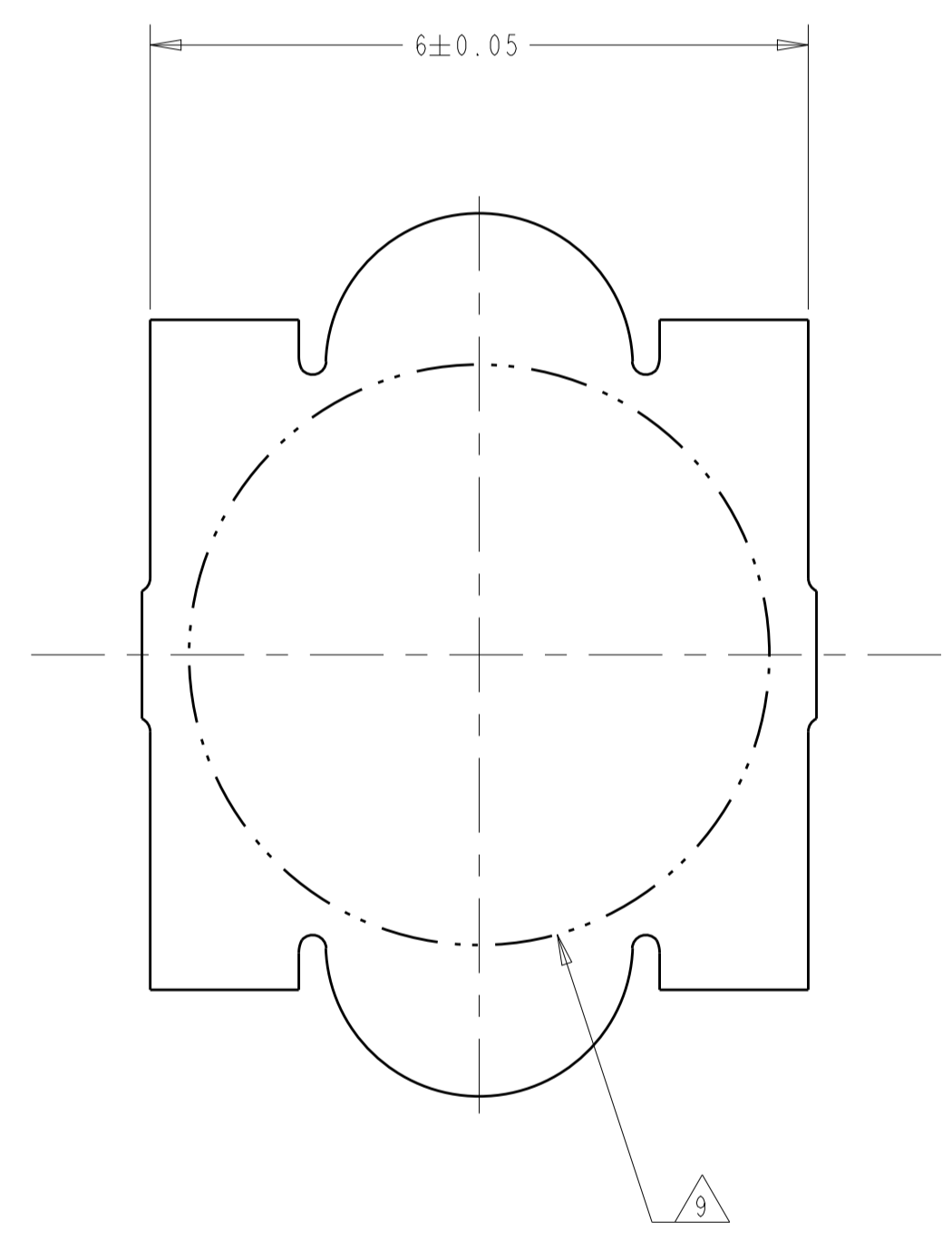
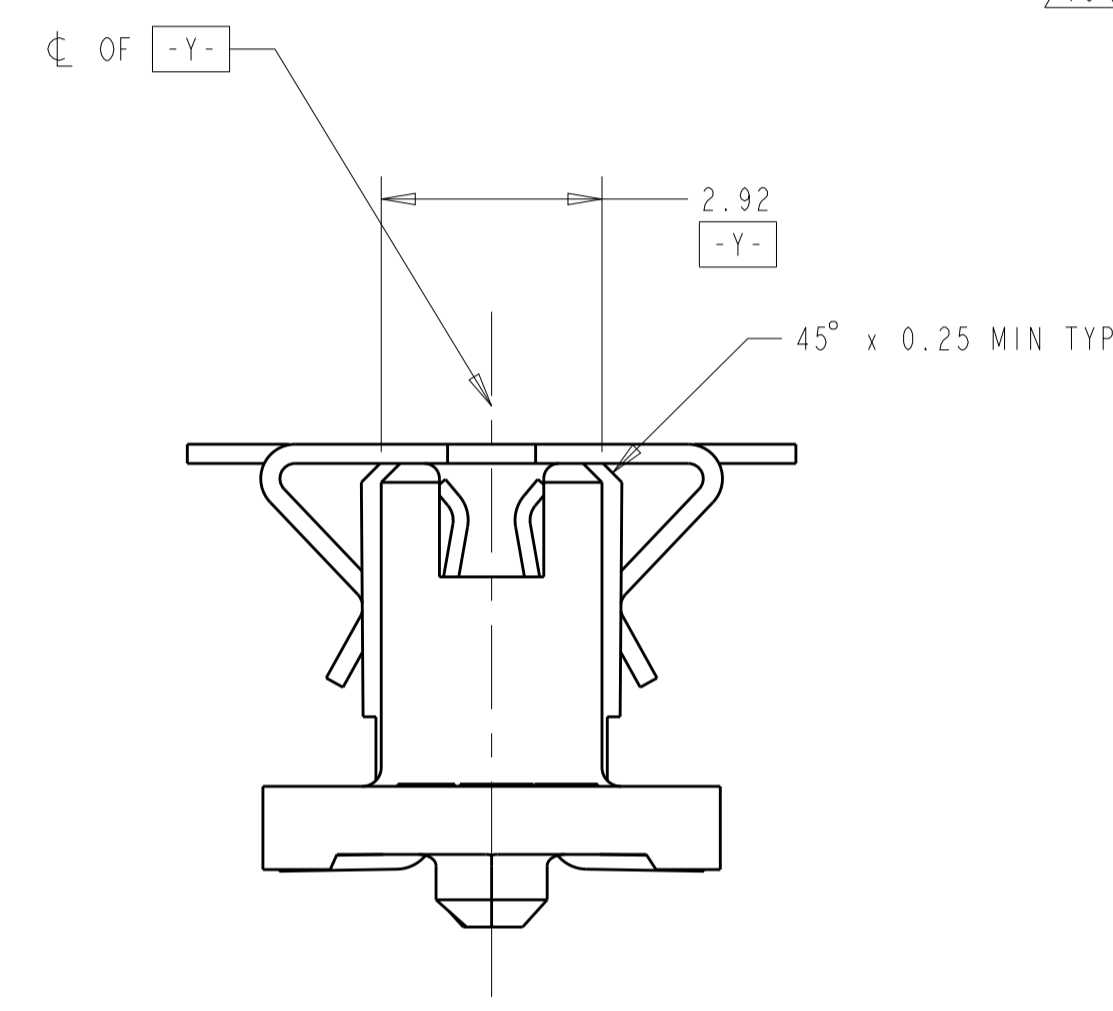
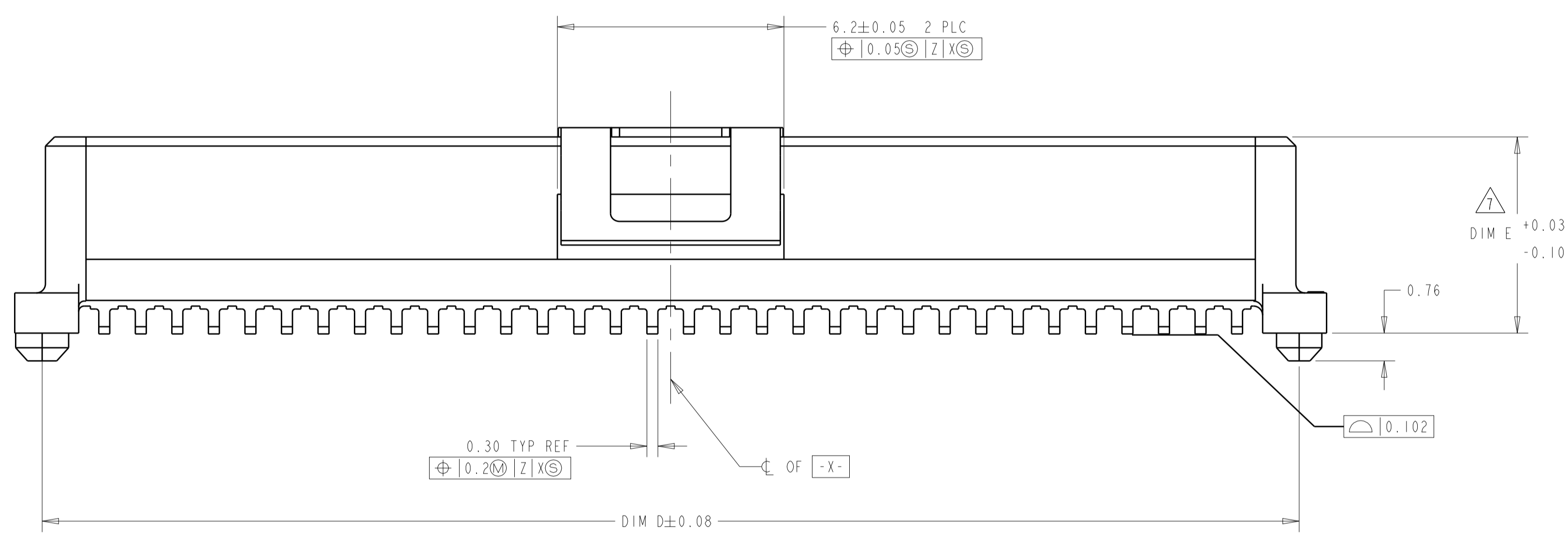
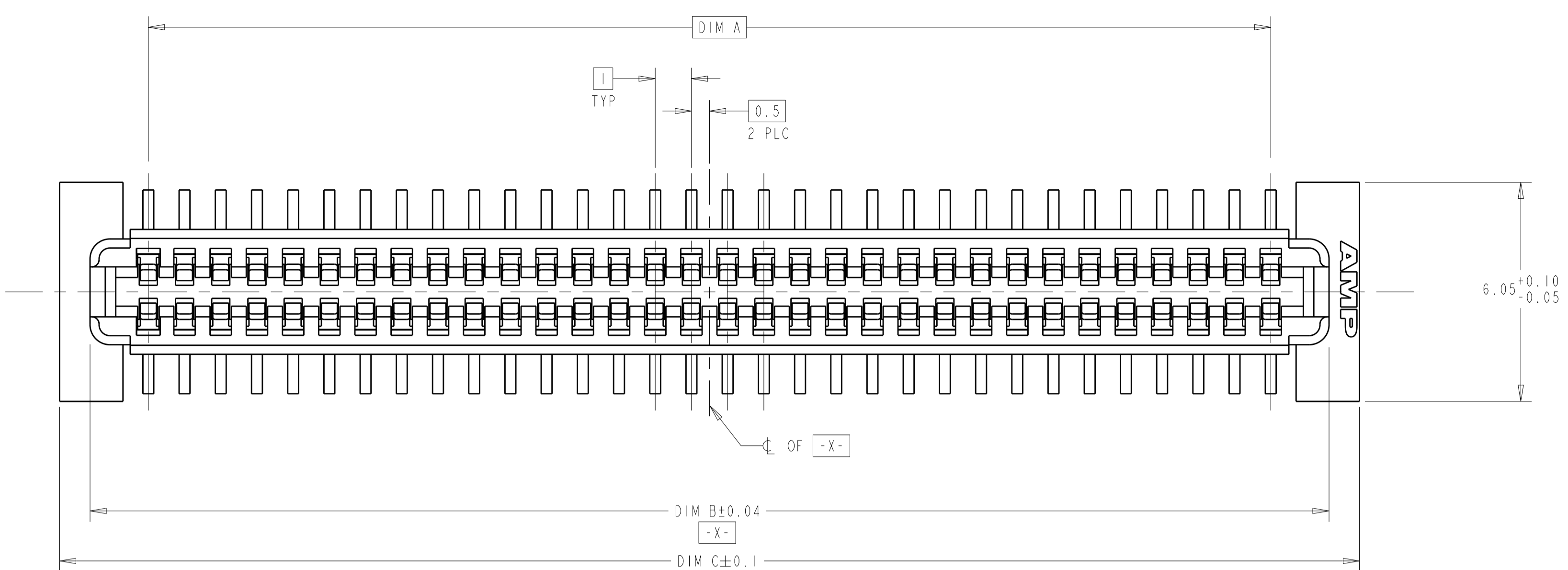


REVISIONS				
P.	LTN	DESCRIPTION	DATE	APVD
B		REV PER ECR-14-016951	11FEB2015	J.T. W.H



- 1. HOUSING MATERIAL: POLYPHTHALAMIDE, COLOR: BLACK. CONTACT MATERIAL: PHOSPHOR BRONZE.
- 2. CONTACT FINISH: 0.002 MINIMUM BRIGHT TIN-LEAD (93-7) ON SOLDER AREA. 0.00127 MINIMUM GOLD ON MATING AREA. BOTH OVER 0.00127 MINIMUM NICKEL ON ENTIRE CONTACT.
- 3. DATUM LOCATIONS AND BASIC DIMENSIONS TO BE ESTABLISHED BY THE CUSTOMER. CONSULT AMP ENGINEERING WHEN PLACING MULTIPLE CONNECTORS ON A PC BOARD.
- 4. PACKAGED IN TAPE ON REEL PER EIA-481.
- 5. 1.4 ± 0.05 DIAMETER HOLE WHEN PLACING BY HAND.
- 6. SHORTER SOLDER LANDS MAY BE USED PER EIA 700AAAB, HOWEVER 2.4 LENGTH ASSURES OPTIMUM SOLDER FILLET REGARDLESS OF MANUFACTURER OF CONNECTOR.
- 7. REFERRED TO AS DIM H IN EIA 700AAAB SPECIFICATION.
- 8. VACUUM COVER NOT SHOWN IN SOME VIEWS FOR CLARITY.
- 9. 5.5 MIN DIAMETER TARGET AREA FOR VACUUM PICK-UP.
- 10. SEE CATALOG FOR OTHER MATING CONNECTOR OPTIONS.

FINISH	DIM E	DIM D	DIM C	DIM B	DIM A	MATING CONNECTORS	STACK HEIGHTS	POS	TE PART NUMBER
2	10.37	34.4	35.9	34.22	31	1-146888-1	15	64	2007042-4
2	10.37	34.4	35.9	34.22	31	1-146898-1	14	64	2007042-4
2	8.37	34.4	35.9	34.22	31	1-146888-1	13	64	2007042-3
2	7.37	34.4	35.9	34.22	31	1-146888-1	12	64	2007042-2
2	7.37	34.4	35.9	34.22	31	1-146898-1	11	64	2007042-2
2	5.37	34.4	35.9	34.22	31	1-146888-1	10	64	2007042-1
2	5.37	34.4	35.9	34.22	31	1-146898-1	9	64	2007042-1
2	5.37	34.4	35.9	34.22	31	1-146897-1	8	64	2007042-1

THIS DRAWING IS A CONTROLLED DOCUMENT.

DIMENSIONS: mm

TOLERANCES UNLESS OTHERWISE SPECIFIED:

0 PLC	±
1 PLC	±0.03
2 PLC	±0.03
3 PLC	±0.03
4 PLC	±
ANGLES	±0°1'

MATERIAL: SEE TABLE

FINISH: SEE TABLE

THIS DRAWING IS A CONTROLLED DOCUMENT. DWG: B. CARBO 04APR2007, CHK: D. BRATINA 04APR2007, APVD: D. BRATINA 04APR2007

NAME: RECEPTACLE ASSY, W/ VACUUM COVER, 1.0mm FH (IEEE 1386) CONNECTOR

PRODUCT SPEC: 502-1079

APPLICATION SPEC: 114-25045

WEIGHT: -

SIZE: A1

CAGE CODE: 00779

DRAWING NO: 2007042

RESTRICTED TO: -

CUSTOMER DRAWING

SCALE: 10:1

SHEET: 1 OF 1

REV: B

X-ON Electronics

Largest Supplier of Electrical and Electronic Components

Click to view similar products for [Board to Board & Mezzanine Connectors](#) category:

Click to view products by [TE Connectivity](#) manufacturer:

Other Similar products are found below :

[589158040000018](#) [MDF7C-18P-2.54DSA\(55\)](#) [FCN-230C068-11](#) [FCN-268F012-G/BD](#) [FCN-268F036-G/BD](#) [FCN-268M012-G/0D](#) [FCN-268M024-G/1D](#) [FCN-723J004/1](#) [MIS-048-01-F-D-DP-K](#) [832-10-034-10-001000](#) [FX4C-80S-1.27DSA](#) [FCN-214Q030-G/0](#) [FCN-234P048-G/0](#) [FCN-235D050-G/C](#) [210-93-314-41-105000](#) [2-22603-0](#) [MDF7-40DP-2.54DSA\(55\)](#) [AXG720047](#) [5031084030](#) [MIT-114-03-F-D-K](#) [55323-1519](#) [DF33-2P-3.3DSA\(24\)](#) [YFT-20-05-H-03-SB-K](#) [503308-3040](#) [026-6203-PDB](#) [027-6203-PDB](#) [069159702701000](#) [10123981-102LF](#) [101A10019X](#) [55650-0588-C](#) [68682-310LF](#) [68684-306](#) [75140-7012](#) [87471-650](#) [194261-1](#) [FCN-268F024-G0D](#) [10124054-515LF](#) [68685-603](#) [8-1616154-3](#) [MIS-019-01-F-D](#) [541371078](#) [IL-WX-10PB-HF-B-E1000E](#) [FCN-268M024-G/3D](#) [20021832-06016C1LF](#) [KX15-20KLDL-E1000E](#) [MDF7-16DP-2.54DSA\(55\)](#) [AXE810124](#) [FCN-214J100-G/0](#) [FCN-230C068-E/S](#) [AXE812124](#)