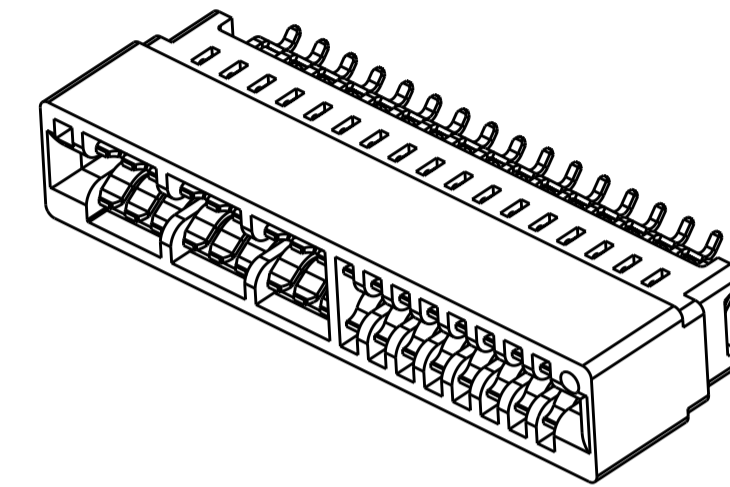


THIS DRAWING IS UNPUBLISHED. RELEASED FOR PUBLICATION 20
 © COPYRIGHT 20 BY TYCO ELECTRONICS CORPORATION. ALL RIGHTS RESERVED.

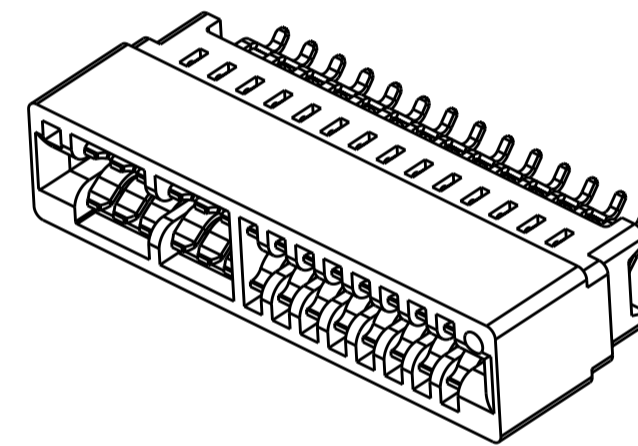
LOC	DIST	REVISIONS			
P	LTR	DESCRIPTION	DATE	DWN	APVD
GP	00	B3	REV PER ECO-10-026305	25FEB2011	RG MS

- HOUSING MATERIAL: GLASS FILLED POLYESTER, COLOR, BLACK
- CONTACT BASE MATERIAL: HIGH CONDUCTIVITY COPPER ALLOY
- CONTACT FINISH: NICKEL PLATE, .00127 [.000050] MIN. ALL OVER.
 MATTE TIN PLATE, .00254 [.000100] MIN ON SOLDER POSTS.
 GOLD PLATE, .00076 [.000030] MIN IN MATING INTERFACE.

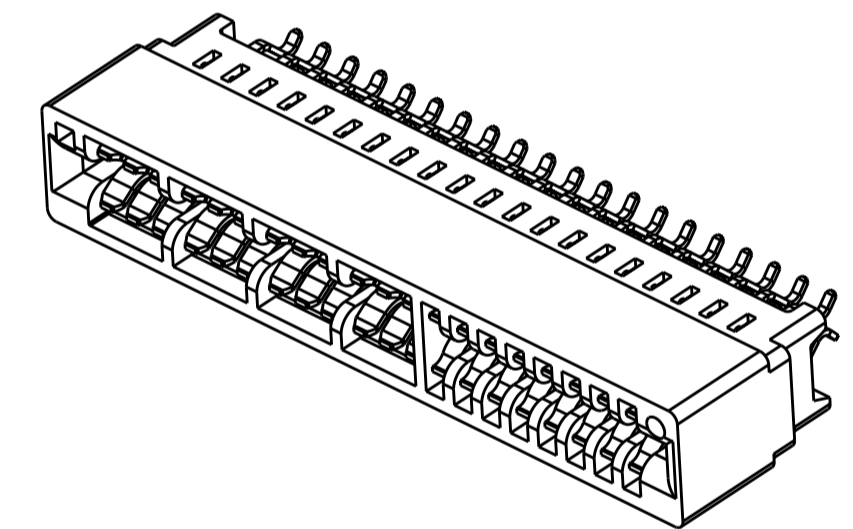
- 4 TYCO ELECTRONICS P/N AND DATE CODE MARKED IN APPROX AREA SHOWN.
- 5 SEE TYCO ELECTRONICS APPLICATION SPEC 114-13018 FOR ADDITIONAL PCB DETAILS.



3P X 8S P/N:2007088-1



2P X 8S P/N:2007088-2



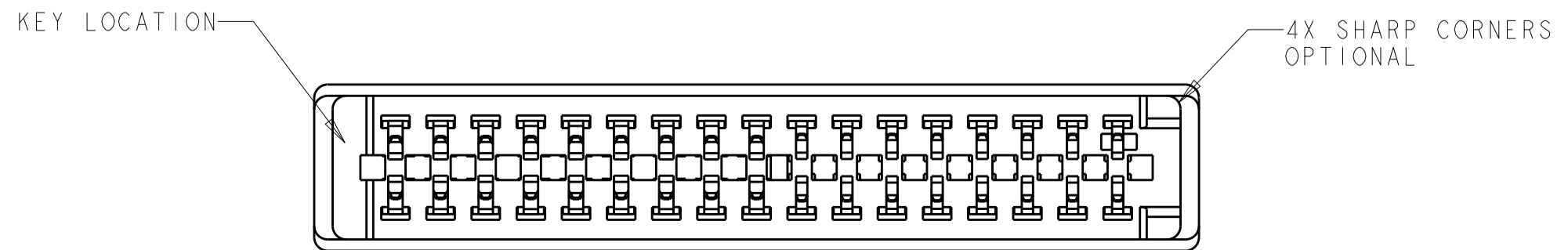
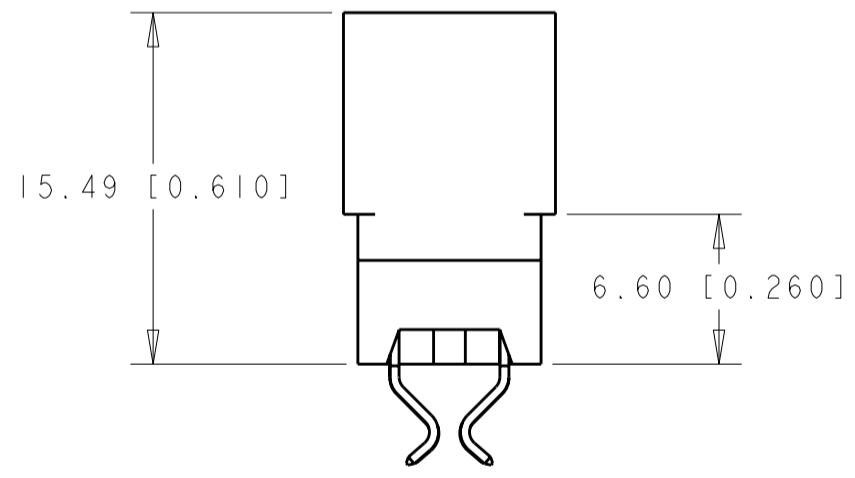
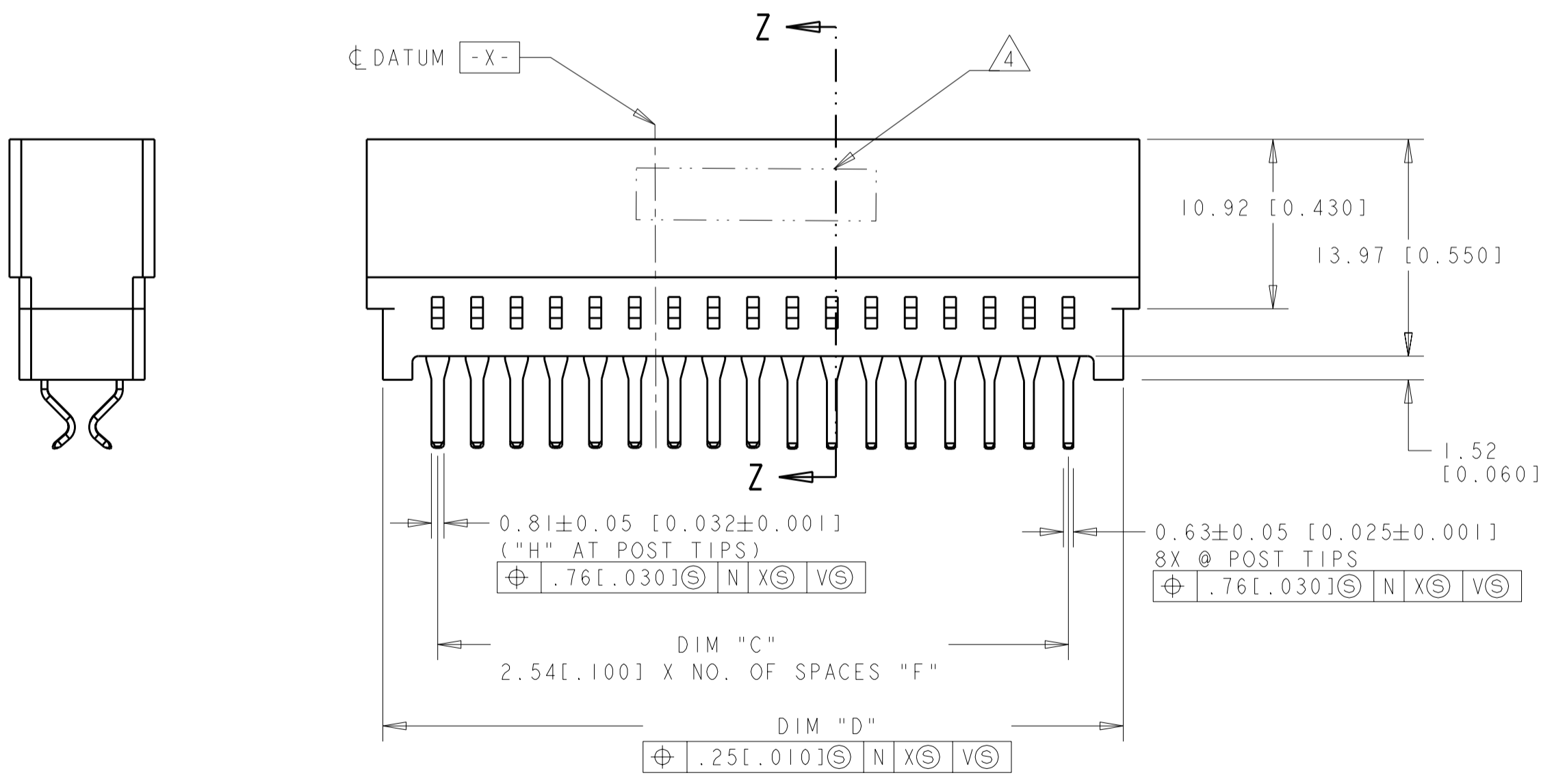
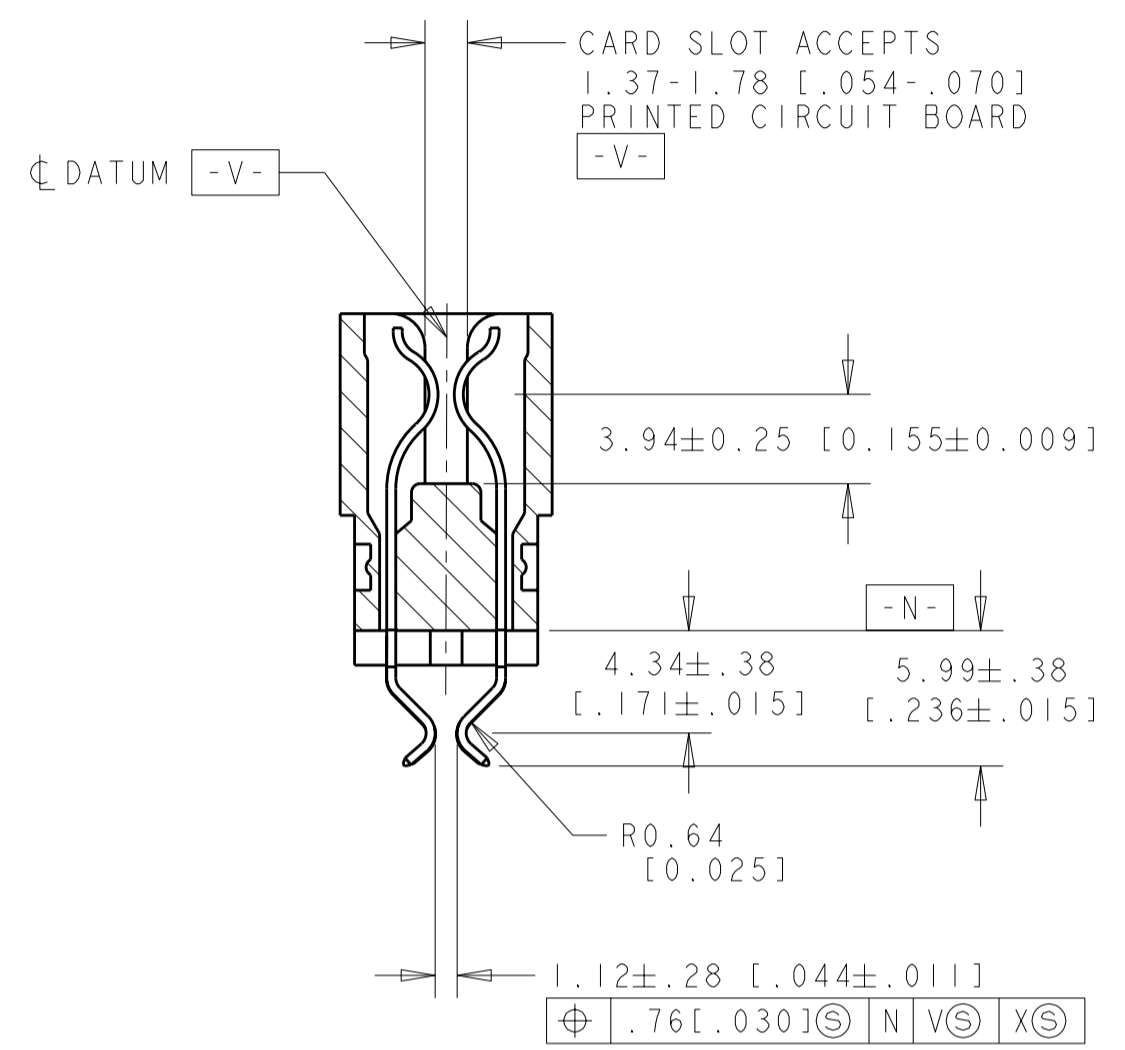
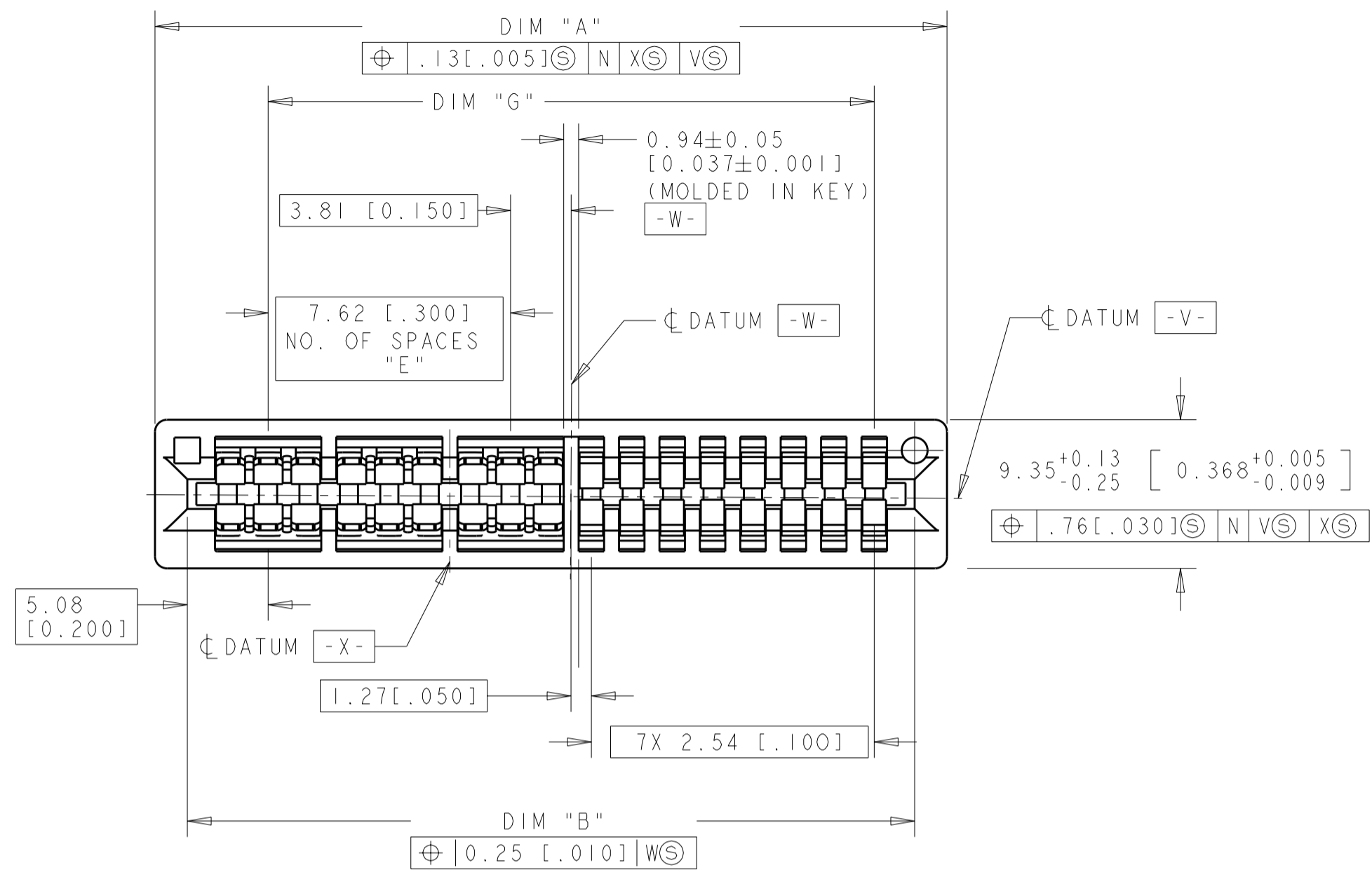
4P X 8S P/N:2007088-3

53.01 [2.087]	12	45.72 [1.800]	19	3	55.33 [2.178]	48.26 [1.900]	53.34 [2.100]	57.40 [2.260]	4	8	2007088-3
37.77 [1.487]	6	30.48 [1.200]	13	1	40.09 [1.578]	33.02 [1.300]	38.10 [1.500]	42.16 [1.660]	2	8	2007088-2
45.39 [1.787]	9	38.10 [1.500]	16	2	47.71 [1.878]	40.64 [1.600]	45.72 [1.800]	49.78 [1.960]	3	8	2007088-1
DIM_K	"H"	DIM_G	"F"	"E"	DIM_D ±.13	DIM_C	DIM_B ±.25	DIM_A ±.25	NO. POWER POSN	NO SIGNAL POSN	PART NUMBERS

<small>THIS DRAWING IS A CONTROLLED DOCUMENT FOR TYCO ELECTRONICS CORPORATION IT IS SUBJECT TO CHANGE AND THE CONTROLLING ENGINEERING ORGANIZATION SHOULD BE CONTACTED FOR THE LATEST REVISION.</small>		DWN G. PETERS 19APR2007 CHK A. FRANTUM 19APR2007 APVD S. FLICKINGER 19APR2007	Tyco Electronics Harrisburg, PA 17105-3608
DIMENSIONS: mm [INCHES]	TOLERANCES UNLESS OTHERWISE SPECIFIED: 0 PLC ± 1 PLC ±.25 [.01] 2 PLC ±.027 [.005] 3 PLC ± 4 PLC ± ANGLES ±1 FINISH	PRODUCT SPEC 108-2202 APPLICATION SPEC 114-13018 WEIGHT -	NAME CONNECTOR ASSEMBLY, SEC II POWER, DUAL POSITION, 2.54[.100] C.L. CARD EDGE, S/M STYLE
MATERIAL NOTE 1		SIZE A200779 CAGE CODE C-2007088 DRAWING NO - RESTRICTED TO -	
CUSTOMER DRAWING		SCALE 1:1	SHEET 1 OF 3 REV B3

THIS DRAWING IS UNPUBLISHED. RELEASED FOR PUBLICATION 20
 © COPYRIGHT 20 BY TYCO ELECTRONICS CORPORATION. ALL RIGHTS RESERVED.

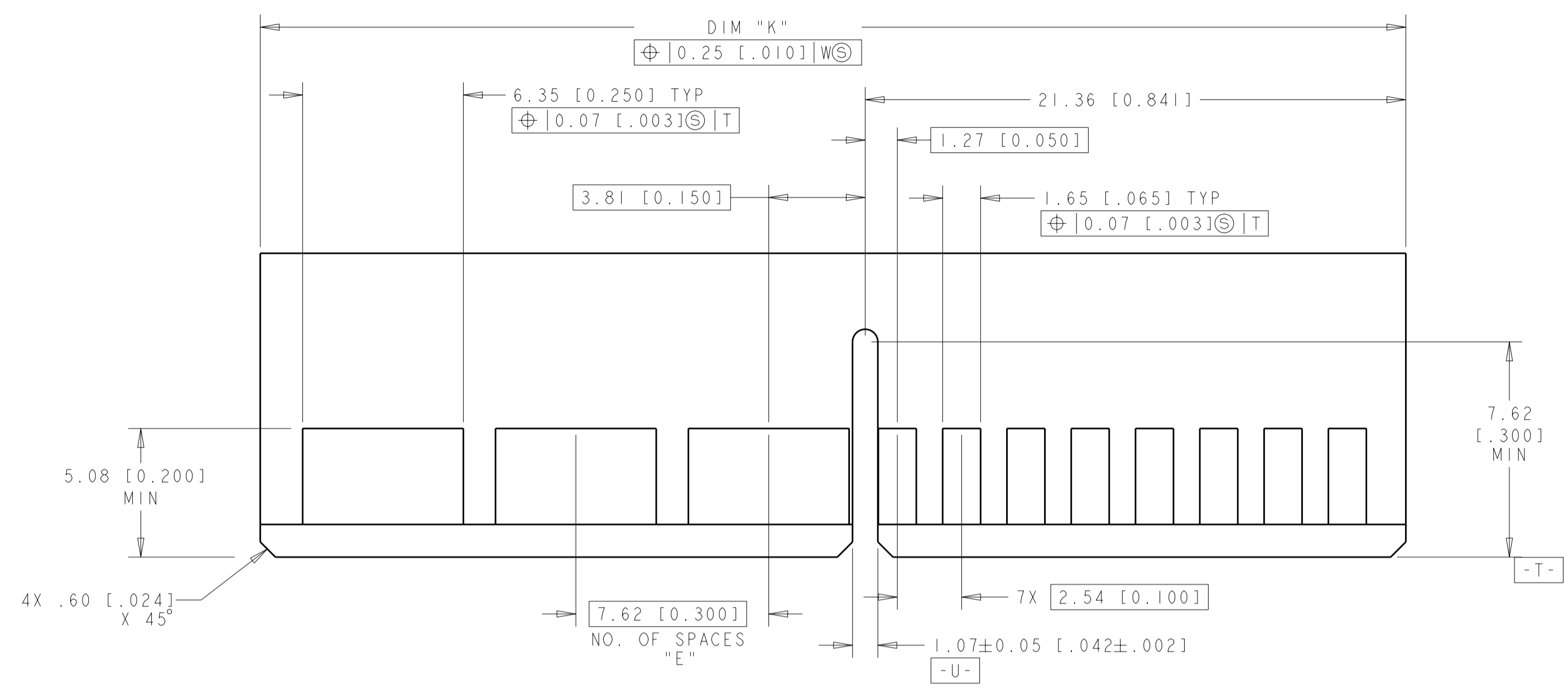
LOC	DIST	REVISIONS			
P	LTR	DESCRIPTION	DATE	DWN	APVD
GP	00	SEE SHEET 1			



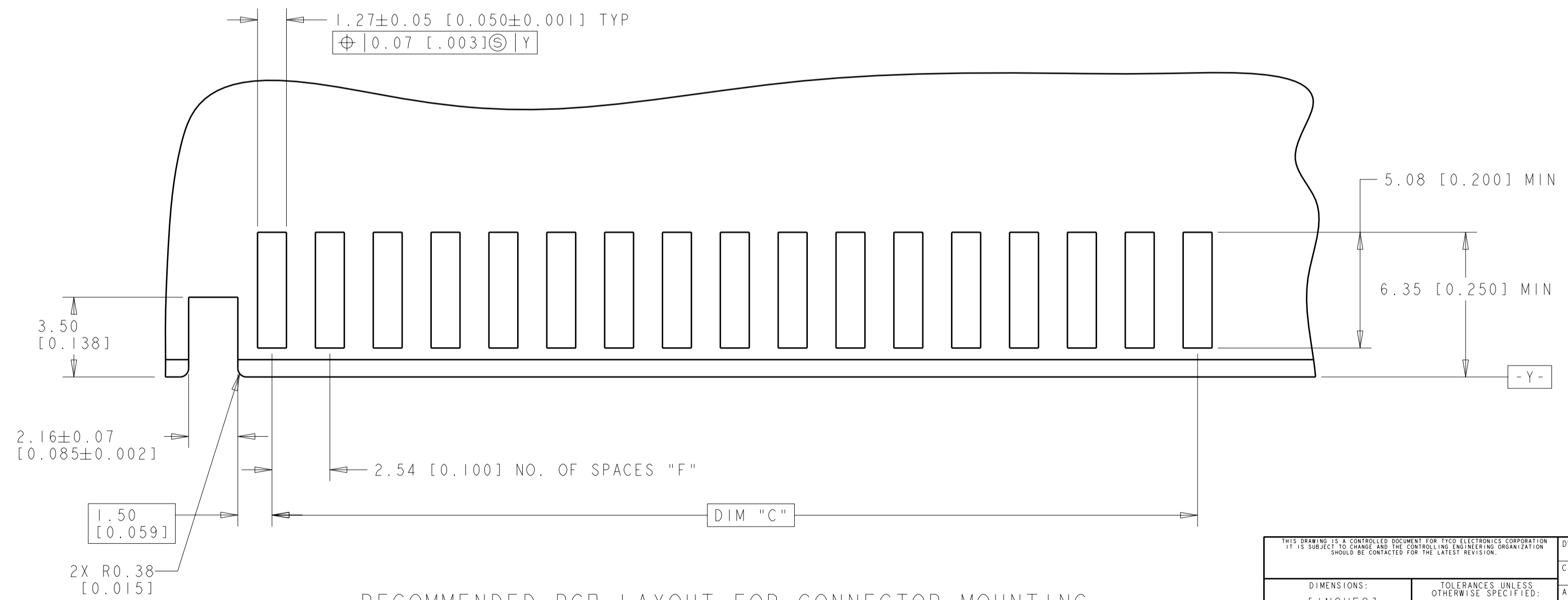
THIS DRAWING IS A CONTROLLED DOCUMENT FOR TYCO ELECTRONICS CORPORATION. IT IS SUBJECT TO CHANGE AND THE CONTROLLING ENGINEERING ORGANIZATION SHOULD BE CONTACTED FOR THE LATEST REVISION.		DWN G. PETERS 19APR2007 CHK A. FRANTUM 19APR2007 APVD S. FLICKINGER 19APR2007	Tyco Electronics Harrisburg, PA 17105-3608
DIMENSIONS: mm [INCHES]	TOLERANCES UNLESS OTHERWISE SPECIFIED: 0 PLC ± 1 PLC ±.25 [.01] 2 PLC ±.027 [.005] 3 PLC ± 4 PLC ± ANGLES ±1 FINISH	PRODUCT SPEC 108-2202 APPLICATION SPEC 114-13018 WEIGHT -	NAME CONNECTOR ASSEMBLY, SEC II POWER, DUAL POSITION, 2.54 [.100] C.L. CARD EDGE, S/M STYLE SIZE A200779 CAGE CODE C-2007088 DRAWING NO. 2007088 RESTRICTED TO -
MATERIAL	NOTE 1	NOTE 2	SCALE 1:1 SHEET 2 OF 3 REV B3

THIS DRAWING IS UNPUBLISHED. RELEASED FOR PUBLICATION 20
 © COPYRIGHT 20 BY TYCO ELECTRONICS CORPORATION. ALL RIGHTS RESERVED.

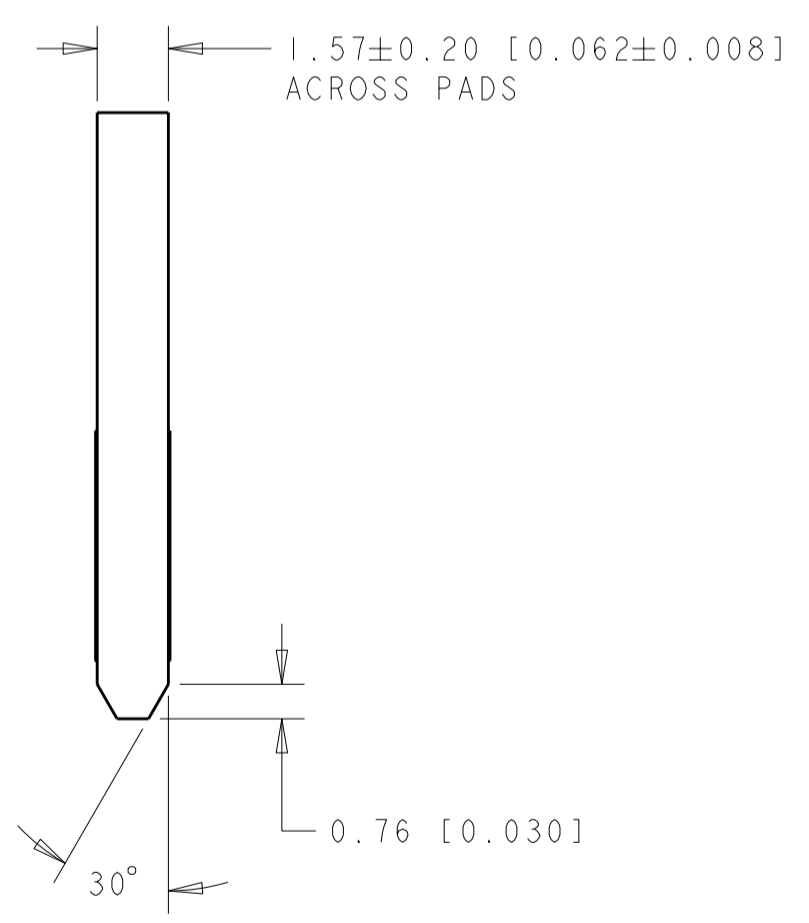
LOC	DIST	REVISIONS					
GP	00	P	LTR	DESCRIPTION	DATE	DWN	APVD
		-		SEE SHEET 1			



RECOMMENDED MATING BOARD EDGE CONFIGURATION
 TYPICAL BOTH SIDES



RECOMMENDED PCB LAYOUT FOR CONNECTOR MOUNTING
 TYPICAL BOTH SIDES



<small>THIS DRAWING IS A CONTROLLED DOCUMENT FOR TYCO ELECTRONICS CORPORATION. IT IS SUBJECT TO CHANGE AND THE CONTROLLING ENGINEERING ORGANIZATION SHOULD BE CONTACTED FOR THE LATEST REVISION.</small>		DWN G. PETERS 19APR2007 CHK A. FRANTUM 19APR2007 APVD S. FLICKINGER 19APR2007	Tyco Electronics Harrisburg, PA 17105-3608
DIMENSIONS: mm [INCHES]	TOLERANCES UNLESS OTHERWISE SPECIFIED: 0 PLC ± 1 PLC ±.25 [0.01] 2 PLC ±.027 [0.005] 3 PLC ±.027 [0.005] 4 PLC ± ANGLES ±1 FINISH	PRODUCT SPEC 108-2202 APPLICATION SPEC 114-13018 WEIGHT -	NAME CONNECTOR ASSEMBLY, SEC II POWER, DUAL POSITION, 2.54[.100] C.L. CARD EDGE, S/M STYLE SIZE A2 CAGE CODE 00779 DRAWING NO. C-2007088 RESTRICTED TO -
MATERIAL NOTE 1	FINISH NOTE 2	CUSTOMER DRAWING	SCALE 1:1 SHEET 3 OF 3 REV B3

X-ON Electronics

Largest Supplier of Electrical and Electronic Components

Click to view similar products for [Standard Card Edge Connectors](#) category:

Click to view products by [TE Connectivity](#) manufacturer:

Other Similar products are found below :

[CR7E-30DB-3.96E\(72\)](#) [6364499-1](#) [6565204-6](#) [PKC-156](#) [1437274-4](#) [147889-1](#) [1489165-4](#) [EBT15622B2X](#) [1-582587-1](#) [284-0102-12100](#)
[286-0052-12101A](#) [306022901000000](#) [307-012-502-202](#) [307-056-520-300](#) [2129318-1](#) [245-062-520-350](#) [287-0032-12101](#) [306-028-525-102](#)
[307-072-526-202](#) [345-060-559-303](#) [392-008-559-201](#) [534671-1](#) [341-240-317](#) [345-044-500-300](#) [346-240-318](#) [395-100-524-300](#) [09-07-2032](#)
[10035388-802LF](#) [10115859-011LF](#) [10122859-009LF](#) [10127905-B04B24BLF](#) [530555-1](#) [5-678046-1](#) [73726-0005](#) [66308-1](#) [1-1437275-6](#)
[PEC-07-02-T-S-A](#) [346-014-520-801](#) [307-048-502-202](#) [CE100F22-9-C](#) [CE100F26-7-C](#) [CE100F28-3-D](#) [CE156F18-9-C](#) [CE156F22-5-D](#)
[CE156F22-9-C](#) [CT100F22-2-D](#) [CT100F22-3-D](#) [CT100F24-2-D](#) [CT100F24-3-D](#) [CT100F24-6-C](#)