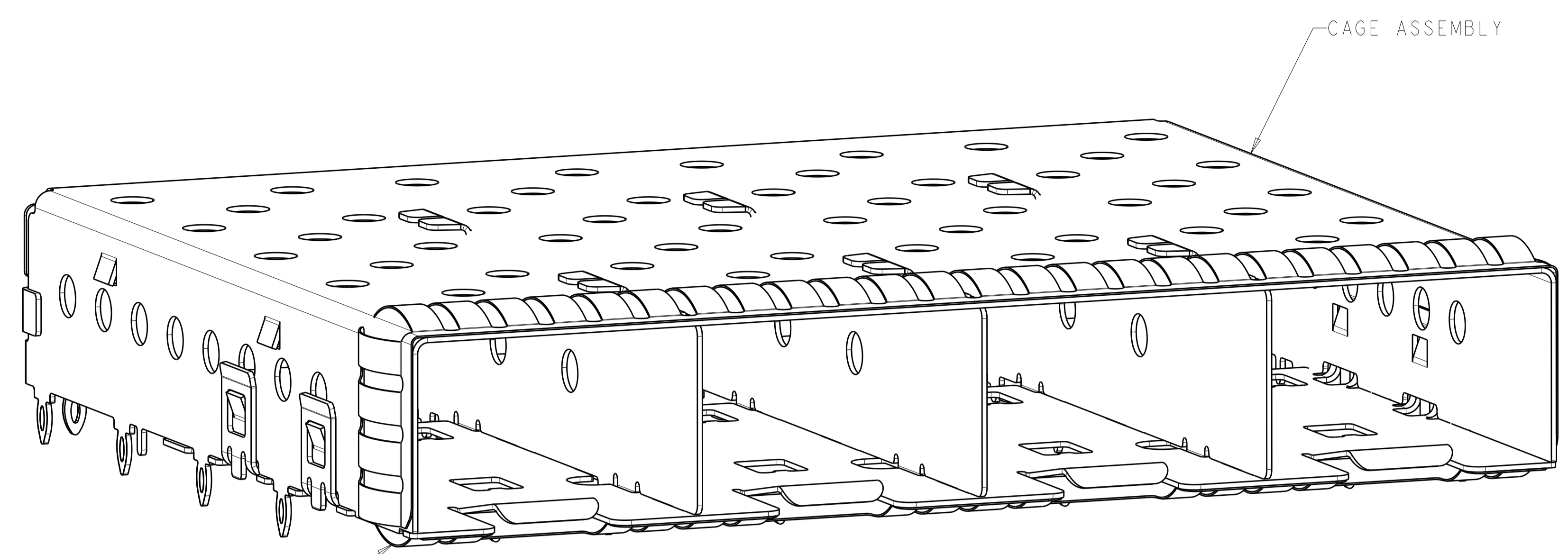
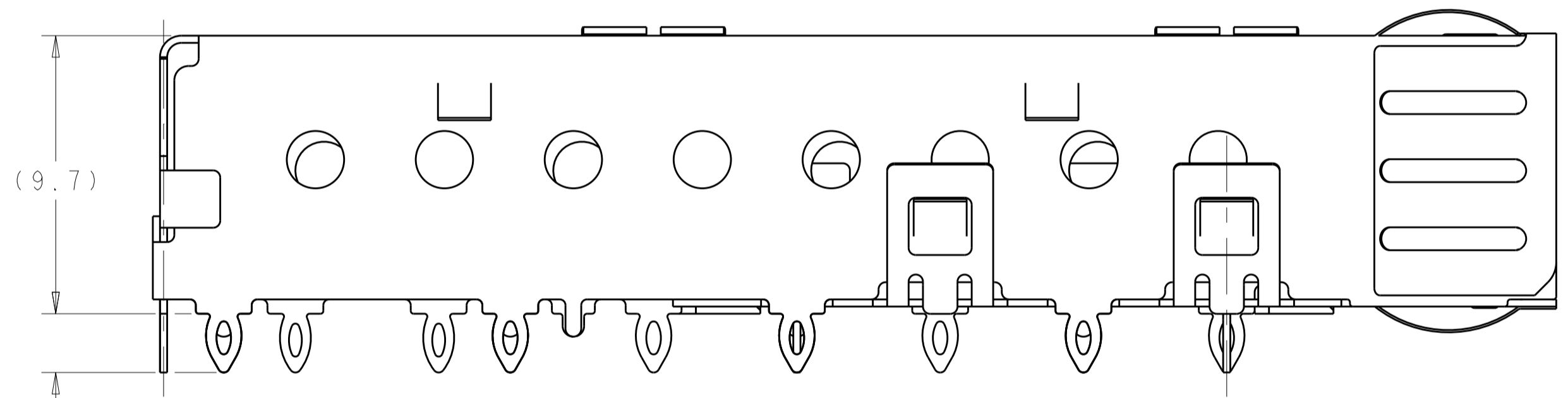


LOC	DIST	REVISIONS					
GP	00	P	LTN	DESCRIPTION	DATE	DWN	APVD
		C		REVISED PER ECO-11-024172	07DEC2011	TX	AC
		D		REVISED PER ECO-12-014021	29NOV2012	TD	AC
		D1		REVISED PER ECO-14-000741	16JAN2014	PP	SH
		E		REVISED PER ECO-20-003328	06MAR2020	ES	SH

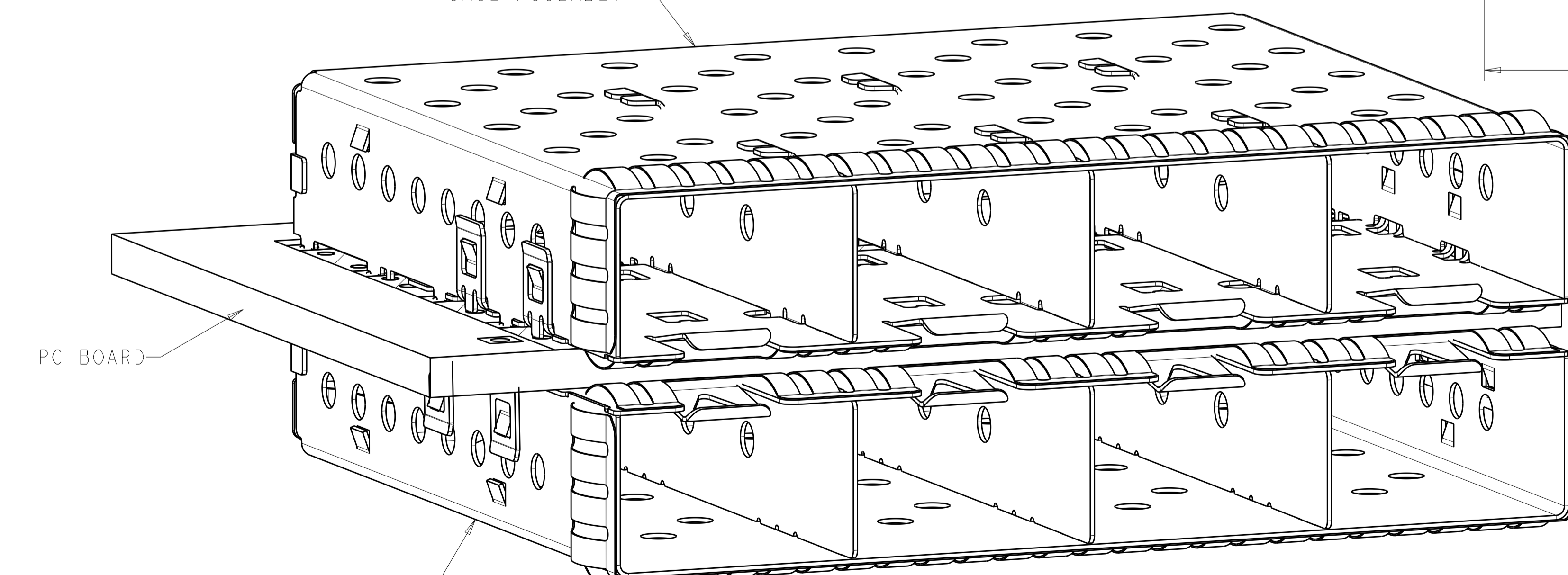
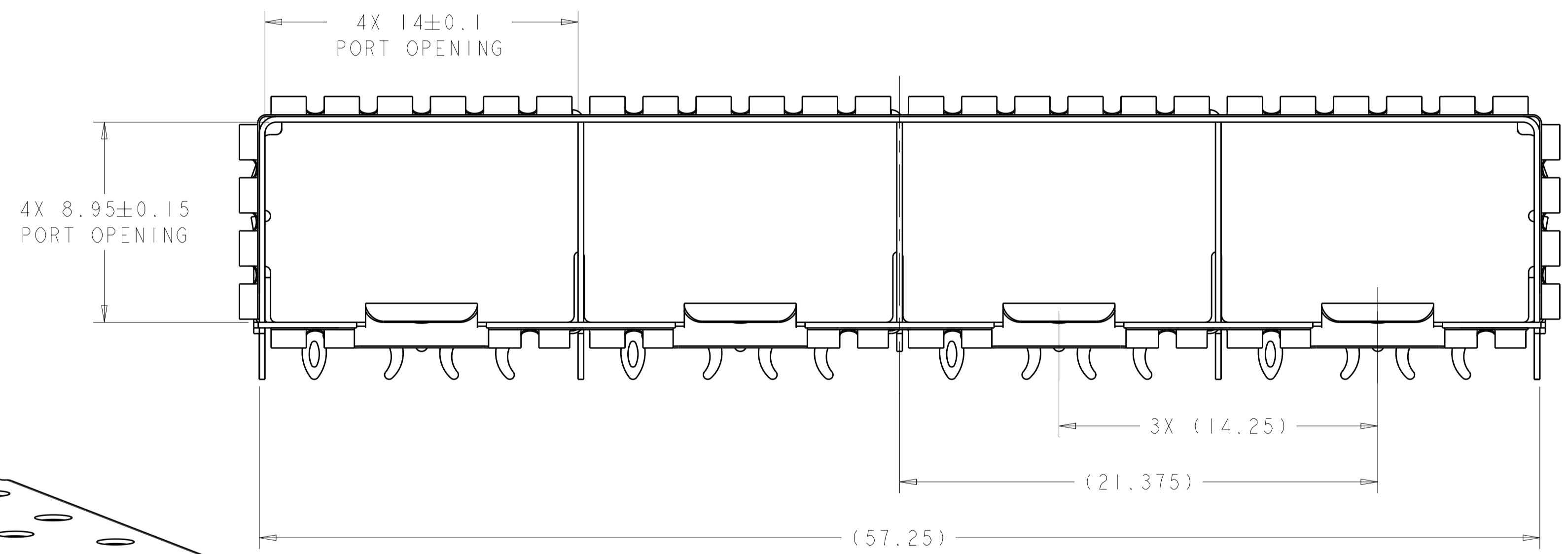


2007132-1
FINISHED ASSEMBLY

- 1. MATERIAL: CAGE ASSEMBLY: 0.25mm THICK NICKEL SILVER ALLOY.
EMI SPRINGS: COPPER ALLOY
- 2. FINISH
SPRINGS: MINIMUM OF 0.8um MATTE TIN PLATED OVER A MINIMUM OF 0.8um NICKEL UNDERPLATE.
NON-PLATED EDGES PERMISSIBLE.
- 3. PADS AND VIAS CHASSIS GROUND.
- 4. DATUM AND BASIC DIMENSION ESTABLISHED BY CUSTOMER.
- 5. MATES WITH SFP MSA COMPLIANT TRANSCEIVERS.
- 6. INTERPRETATION OF DATUM REFERENCE FRAME IN ACCORDANCE WITH SECT 4.4.1.1 OF ASME Y14.5M-1994.
- 7. REFERENCE APPLICATION SPEC. 114-13120, HOLE A, FOR RECOMMENDED DRILL HOLE DIAMETER AND PLATING THICKNESS.
- 8. REFERENCE APPLICATION SPEC. 114-13120, HOLE B, FOR RECOMMENDED DRILL HOLE DIAMETER AND PLATING THICKNESS.
- 9. HOLE PATTERN REPEATS FOR EACH PORT. SPACING BETWEEN PORTS IS 14.25mm.
- 10. MINIMUM PCB THICKNESS:
SINGLE SIDED = 1.50
DOUBLE SIDED = 2.25
- 11. CERTAIN MATING TRANSCEIVERS MAY REQUIRE ADDITIONAL PCB THICKNESS THAT WOULD NEED TO BE DETERMINED BY THE CUSTOMER.
- 12. PRODUCT COMPLIES WITH WITH SPECIFICATION SFF-8433 IMPROVED PLUGGABLE FORM FACTOR FOR SFP+ GANGED CAGES.



2007132-1
CAGE ASSEMBLY



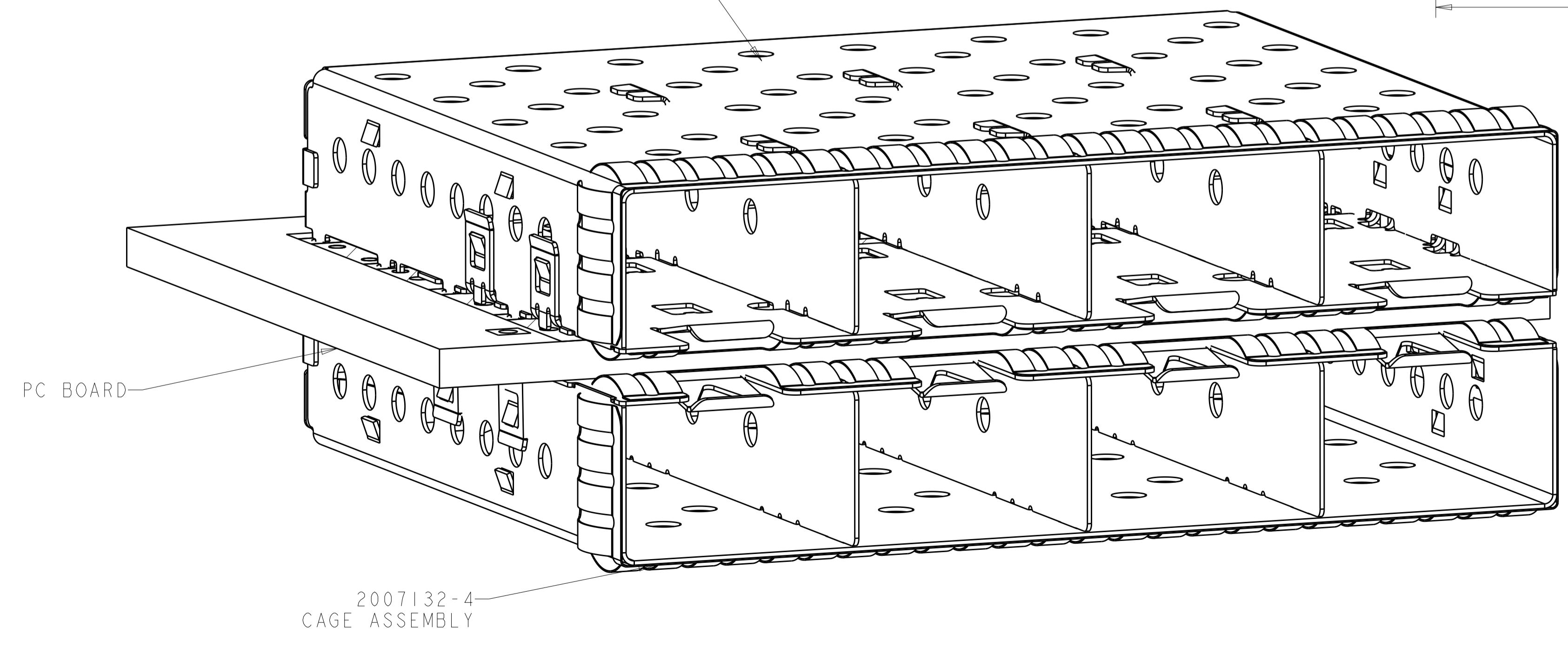
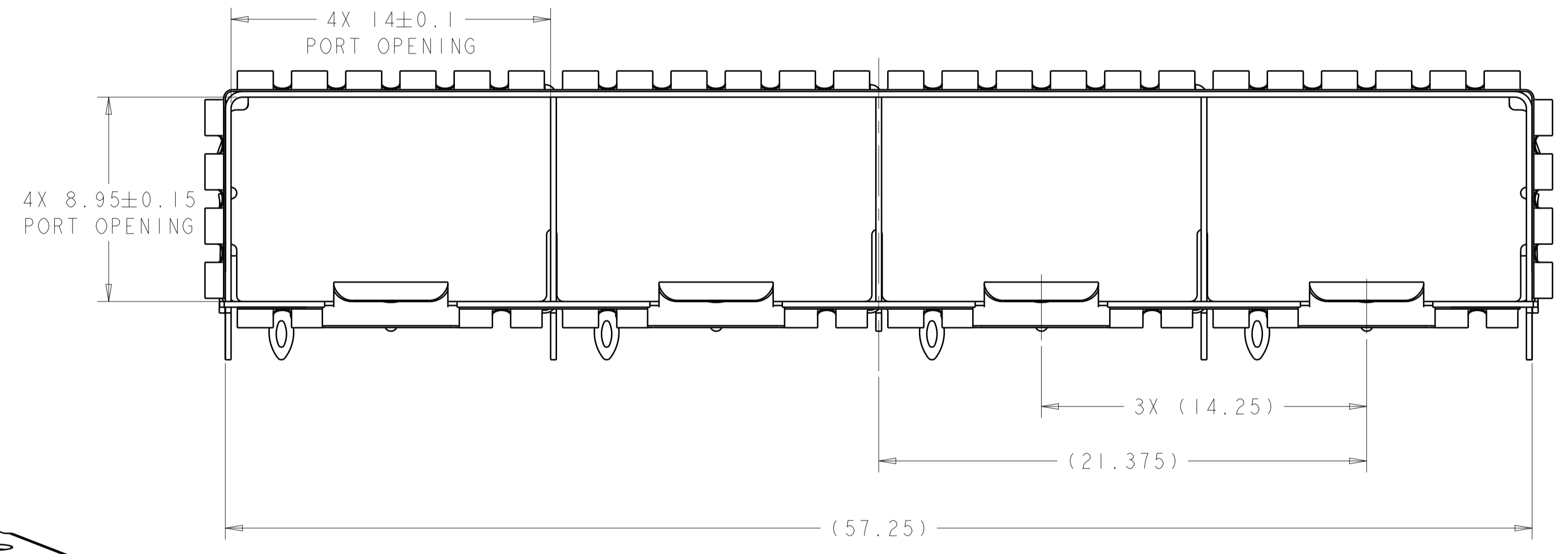
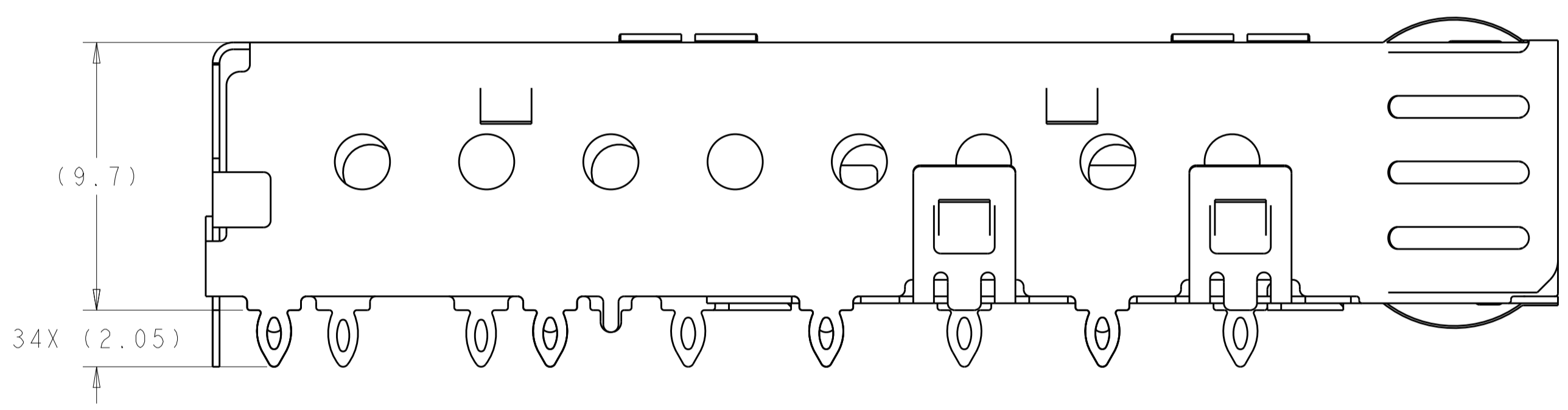
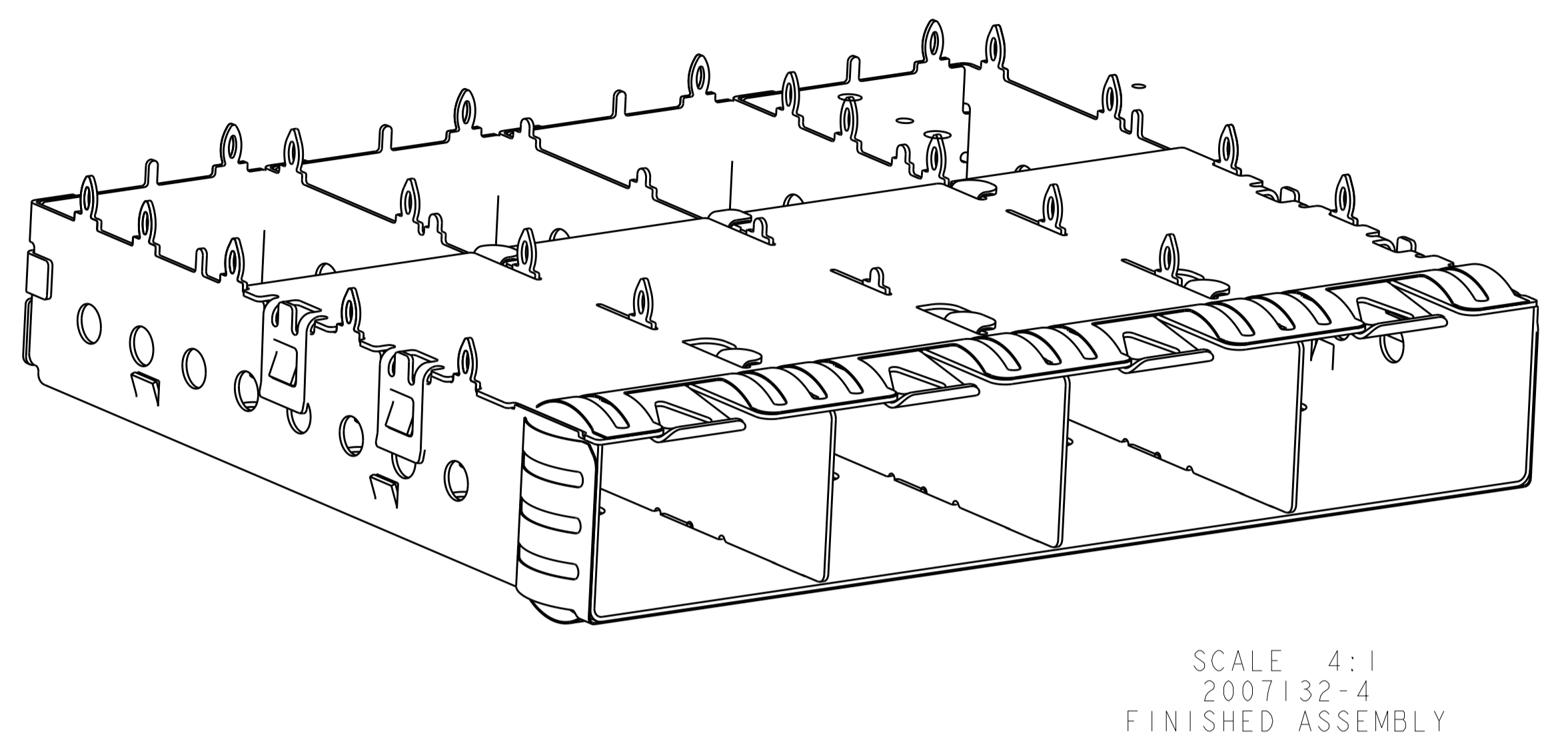
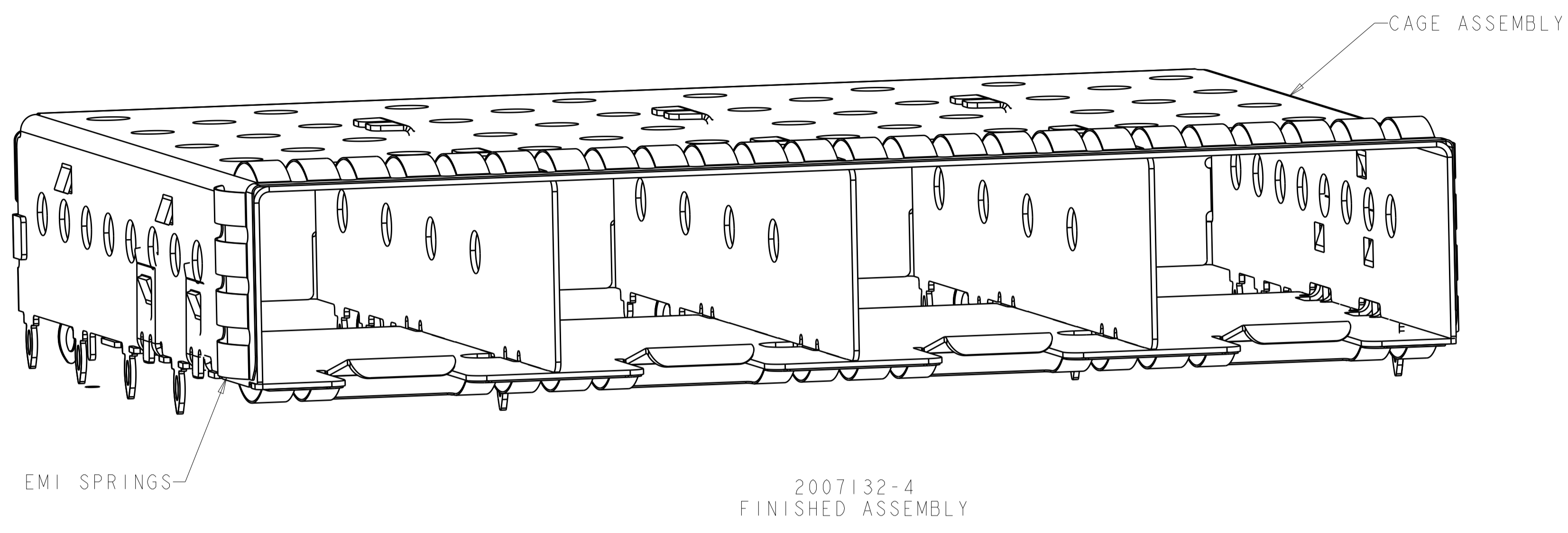
PC BOARD

2007132-1
CAGE ASSEMBLY
2007132-1
MOUNTED BELLYTO BELLY ON PCB
SCALE 5:1

2007132-1
PART
NUMBER

THIS DRAWING IS A CONTROLLED DOCUMENT.		DWN M. SCHMITT 21JUN2007	TE Connectivity NAME SFP+ 1X4 CAGE ASSEMBLY PRESS FIT, EXTERNAL EMI SPRINGS
DIMENSIONS:		CHK M. SCHMITT 21JUN2007	
TOLERANCES UNLESS OTHERWISE SPECIFIED:		APVD B. WERTZ 21JUN2007	
mm		PRODUCT SPEC 108-2364	
0 PLC ±0.1 1 PLC ±0.1 2 PLC ±0.1 3 PLC ±0.1 4 PLC ±0.1 ANGLES ±1°		APPLICATION SPEC 114-13120	SIZE A1
MATERIAL		WEIGHT	RESTRICTED TO
FINISH		Customer Drawing	SCALE 6:1 SHEET 1 OF 10 REV E

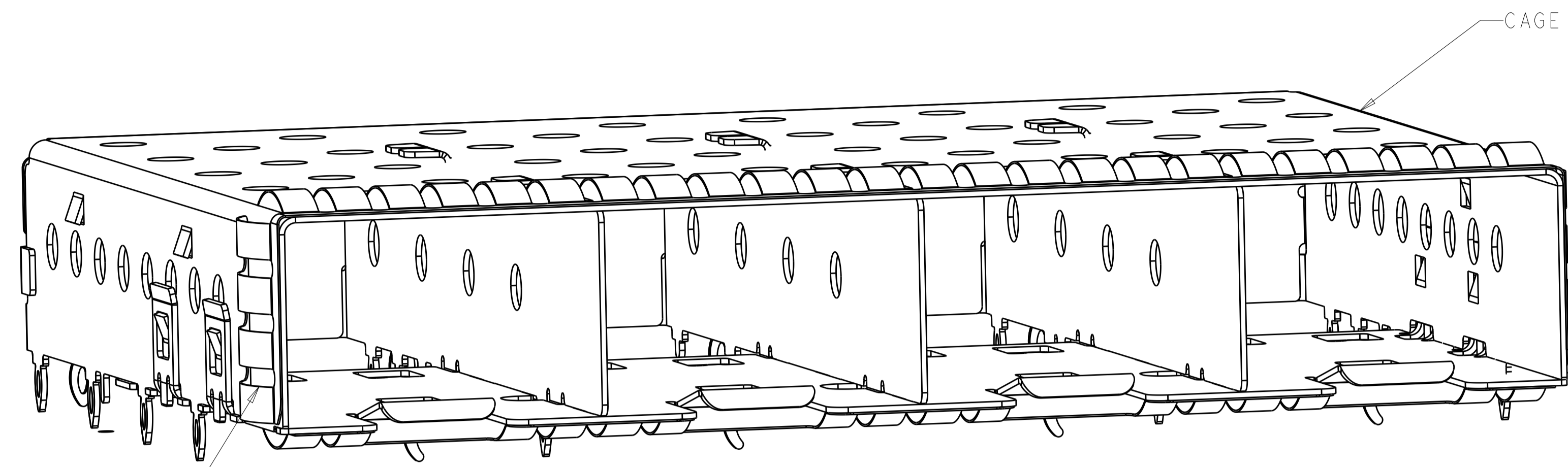
LOC		DIST		REVISIONS			
GP	00	P	LYR	DESCRIPTION	DATE	DMN	APVD
		-		SEE SHEET 1			



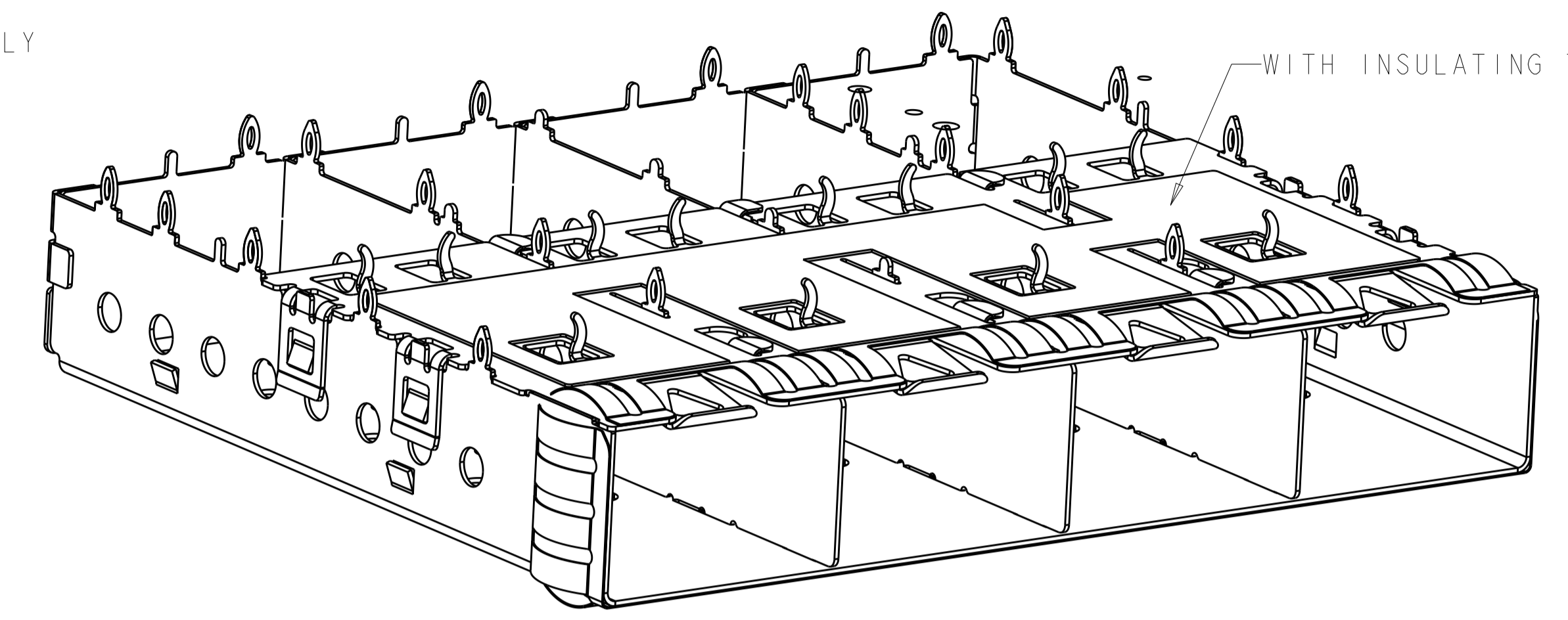
2007132-4
PART
NUMBER

THIS DRAWING IS A CONTROLLED DOCUMENT.		DMN M. SCHMITT 21JUN2007	TE Connectivity NAME SFP+ 1X4 CAGE ASSEMBLY PRESS FIT, EXTERNAL EMI SPRINGS SIZE CAGE CODE DRAWING NO RESTRICTED TO A1 00779C=2007132 SCALE 1:1 SHEET 2 OF 10 REV F
DIMENSIONS:		CHK M. SCHMITT 21JUN2007	
TOLERANCES UNLESS OTHERWISE SPECIFIED:		APVD B. WERTZ 21JUN2007	
mm		PRODUCT SPEC	
0 PLC ±0.1		108-2364	
1 PLC ±0.1		APPLICATION SPEC	
2 PLC ±0.1		114-13120	
3 PLC ±0.1		WEIGHT	
4 PLC ±0.1		Customer Drawing	
ANGLES ±0.1			
FINISH			

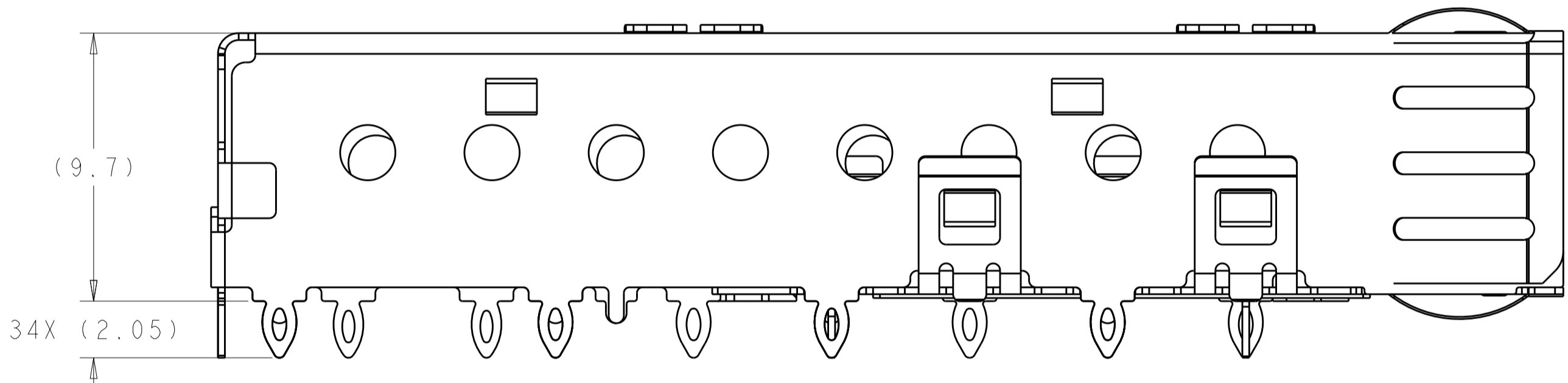
LOC		DIST		REVISIONS			
GP	00	P	LTN	DESCRIPTION	DATE	DMN	APVD
				SEE SHEET 1			



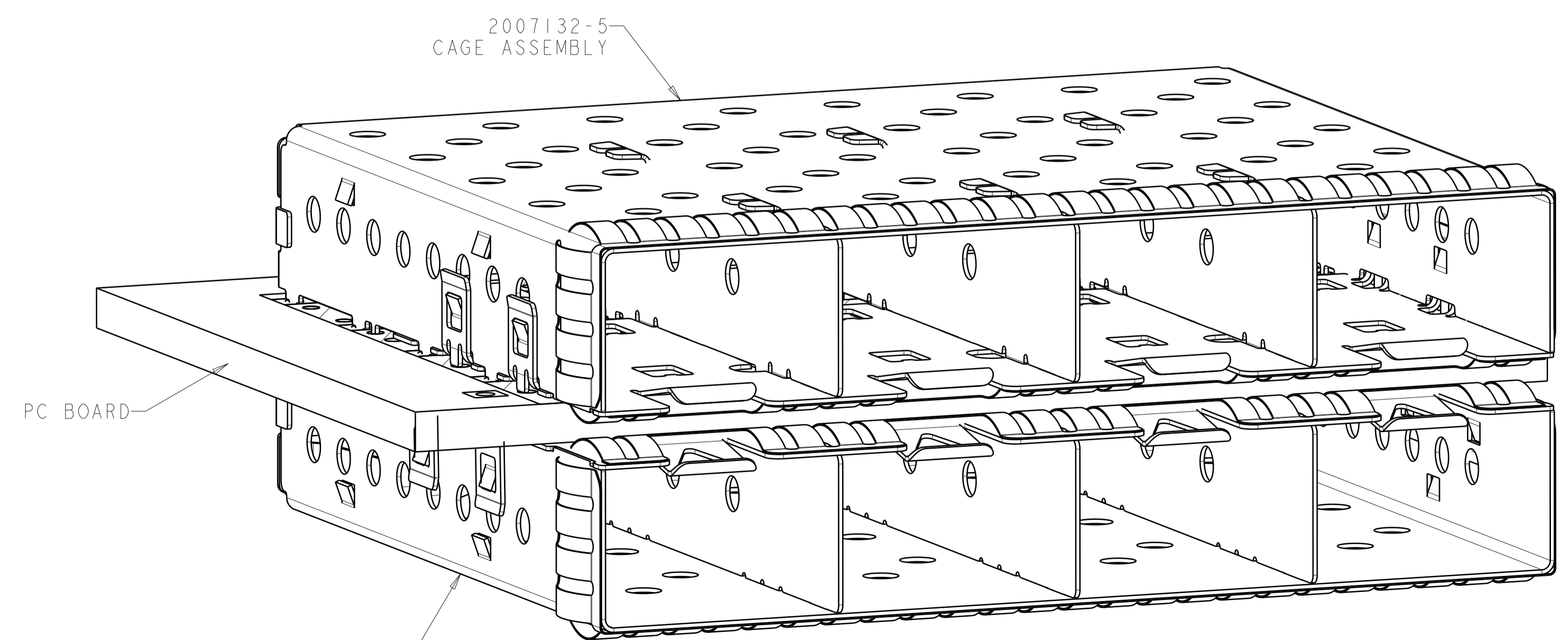
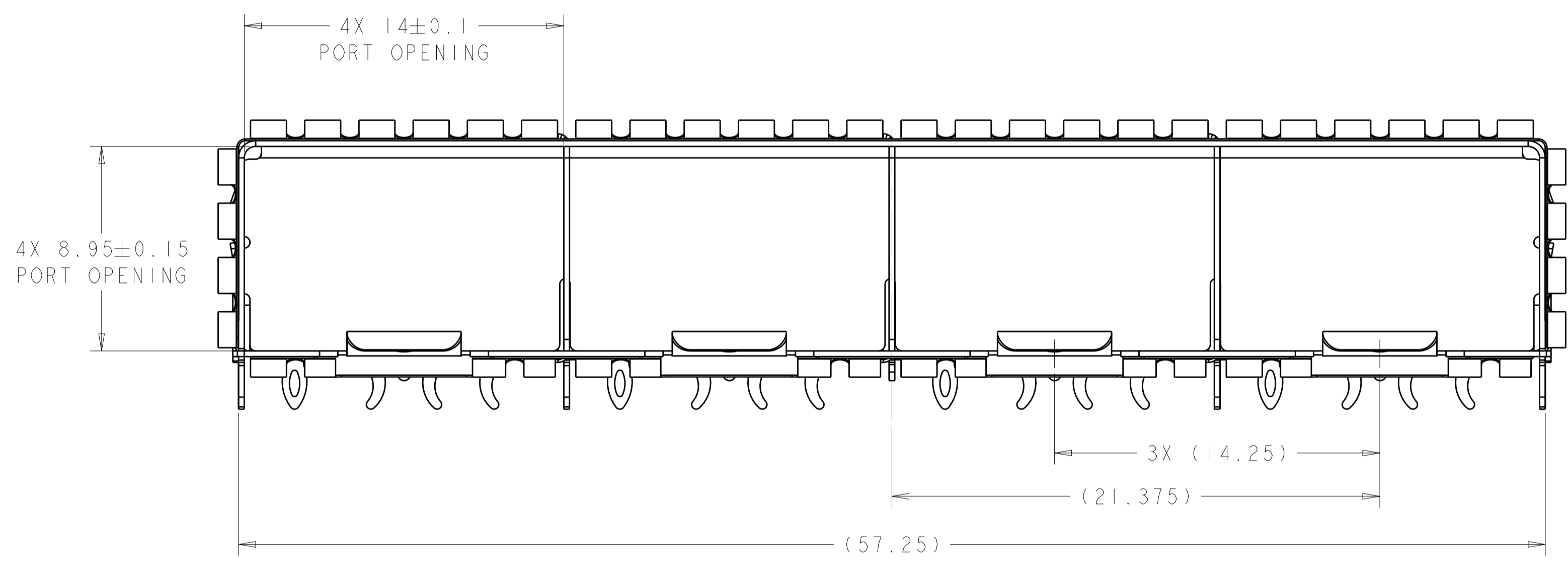
SCALE 6:1
FINISHED ASSEMBLY



SCALE 4:1
2007132-5
FINISHED ASSEMBLY



SCALE 6:1

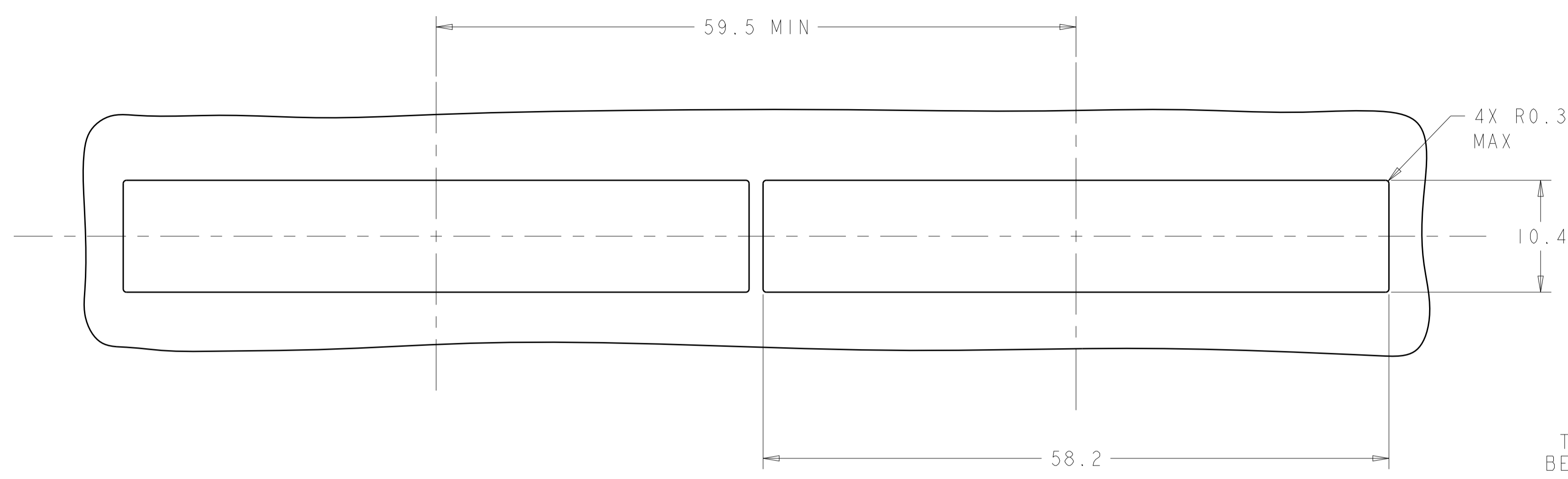


2007132-5
MOUNTED BELLYTO BELLY ON PCB
SCALE 5:1

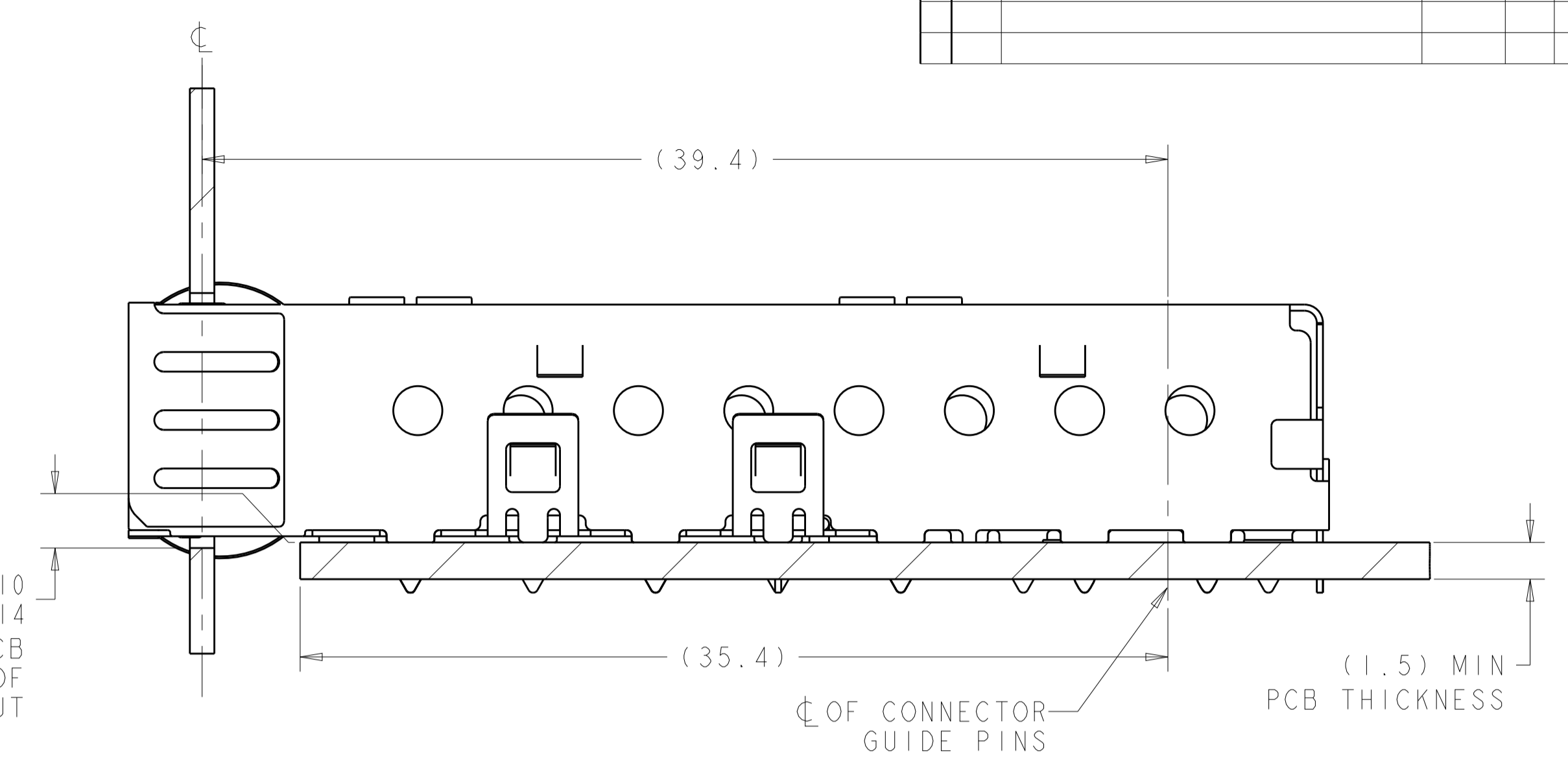
2007132-5
PART
NUMBER

THIS DRAWING IS A CONTROLLED DOCUMENT.		DMN M. SCHMITT 21JUN2007	TE Connectivity NAME SFP+ 1X4 CAGE ASSEMBLY PRESS FIT, EXTERNAL EMI SPRINGS
DIMENSIONS:		CHK M. SCHMITT 21JUN2007	
mm		APVD B. WERTZ 21JUN2007	
TOLERANCES UNLESS OTHERWISE SPECIFIED: 0 PLC ±0.1 1 PLC ±0.1 2 PLC ±0.1 3 PLC ±0.1 4 PLC ±0.1 ANGLES ±1°		PRODUCT SPEC 108-2364 APPLICATION SPEC 114-13120 WEIGHT - Customer Drawing	
MATERIAL		FINISH	SIZE CAGE CODE DRAWING NO. A100779C=2007132 RESTRICTED TO - SCALE 6:1 SHEET 3 OF 10 REV E

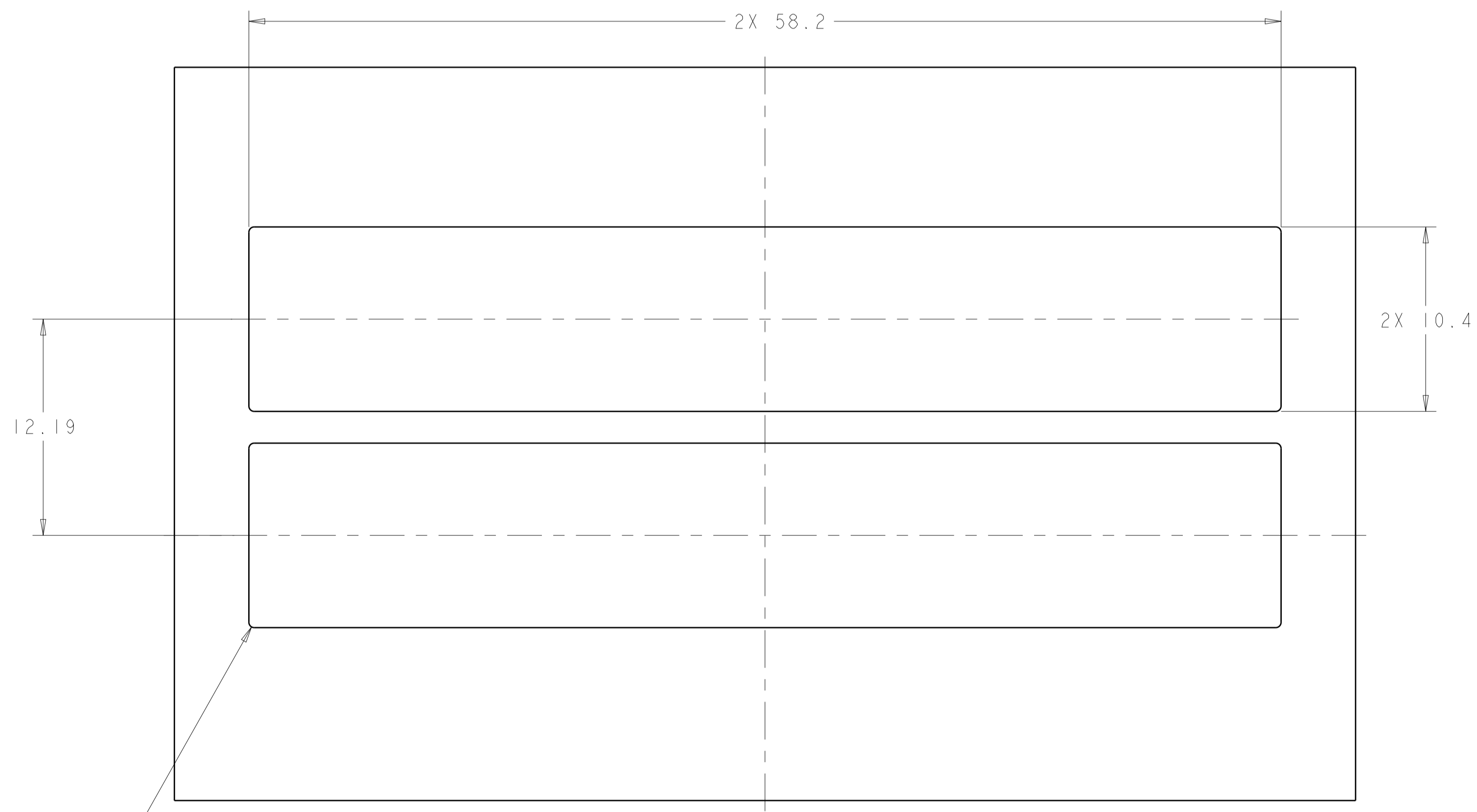
LOC	DIST	REVISIONS			
GP	00	REV	DATE	BY	APPV
		-	SEE SHEET 1	-	-



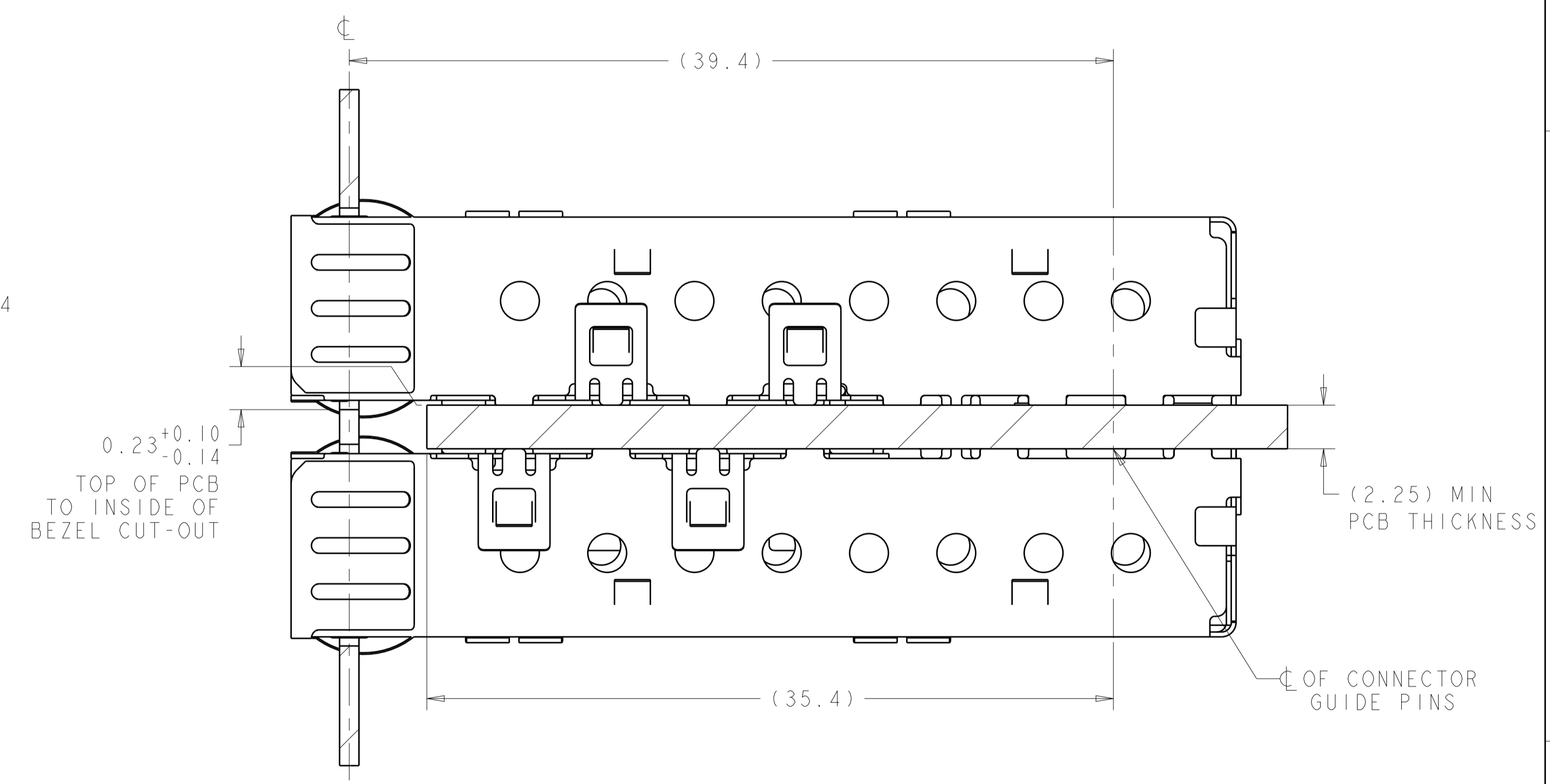
RECOMMENDED BEZEL CUT-OUT
 SINGLE SIDED APPLICATIONS
 SCALE 3:1



MOUNTED ON PC BOARD
 SHOWN THRU RECOMMENDED BEZEL
 SCALE 5:1



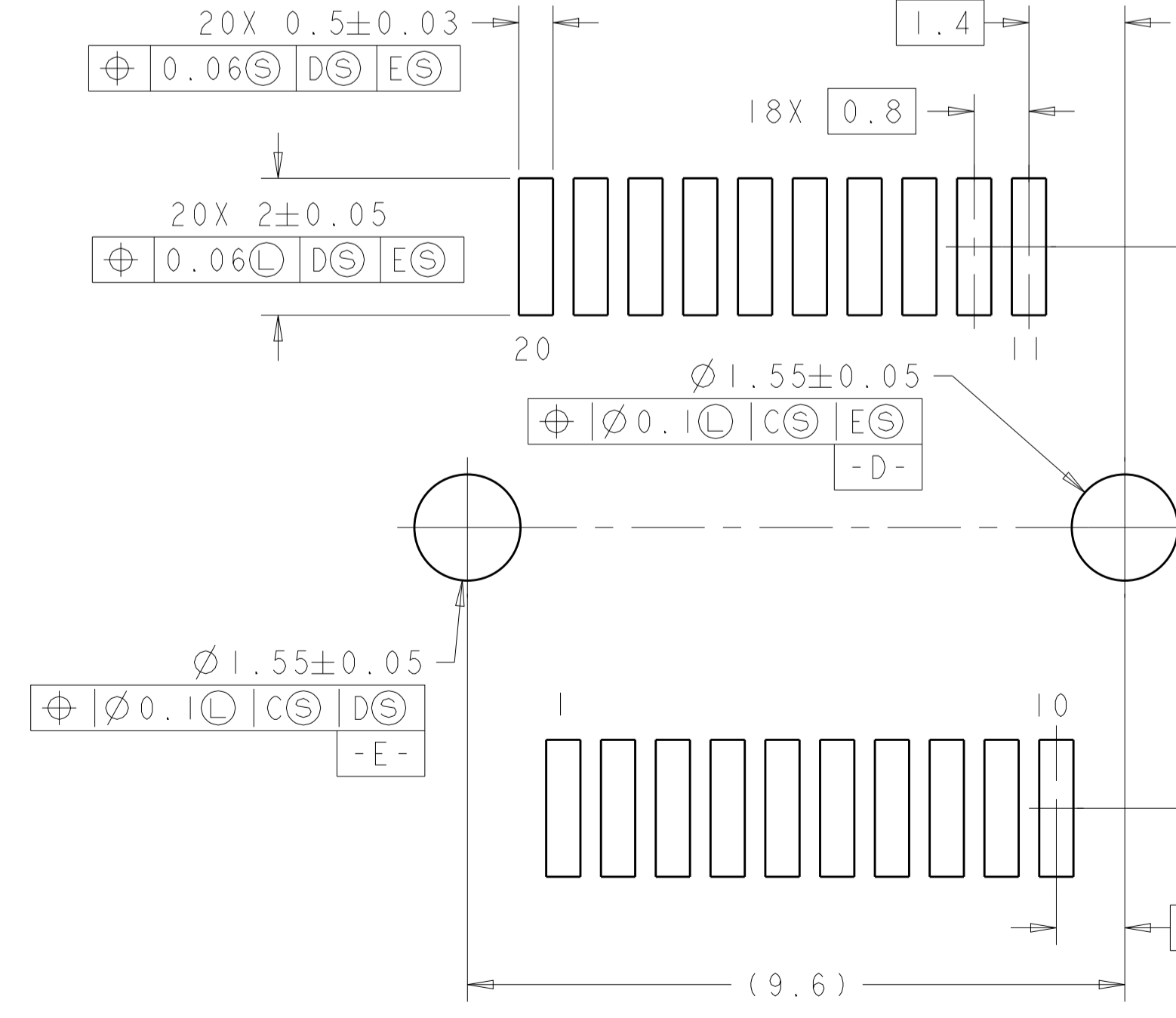
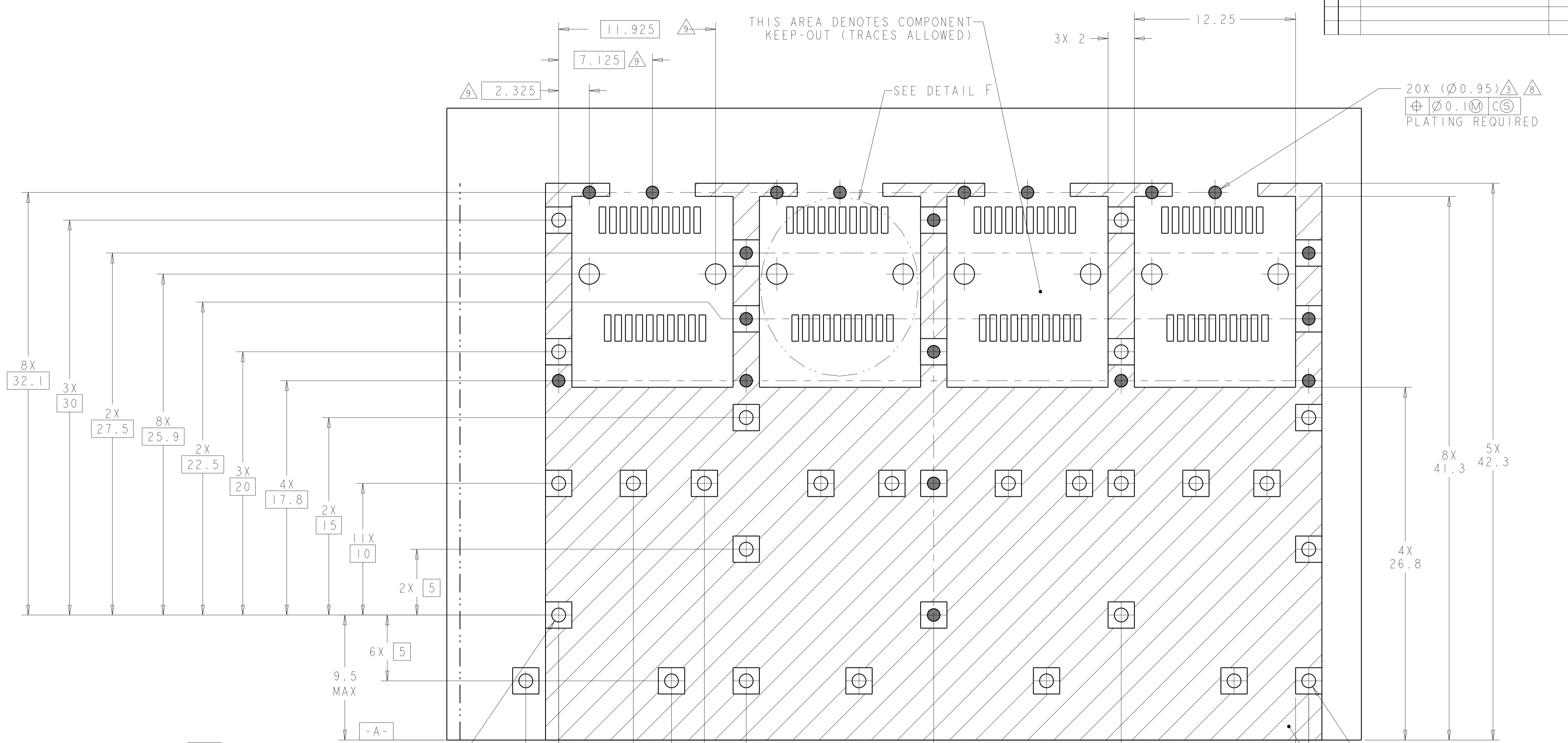
RECOMMENDED BEZEL CUT-OUT
 BELLY TO BELLY APPLICATIONS
 SCALE 5:1



MOUNTED BELLY TO BELLY ON PC BOARD
 SHOWN THRU RECOMMENDED BEZEL
 SCALE 5:1

THIS DRAWING IS A CONTROLLED DOCUMENT.		OWN M. SCHMITT 21JUN2007	TE Connectivity
DIMENSIONS: mm		CHK M. SCHMITT 21JUN2007	
TOLERANCES UNLESS OTHERWISE SPECIFIED:		APV B. WERTZ 21JUN2007	NAME SFP+ 1X4 CAGE ASSEMBLY PRESS FIT, EXTERNAL EMI SPRINGS
0 PLC ±0.1	1 PLC ±0.1	PRODUCT SPEC	SIZE CAGE CODE DRAWING NO RESTRICTED TO
2 PLC ±0.1	3 PLC ±0.1	108-2364	A100779C=2007132
4 PLC ±0.1	ANGLES ±0.1	APPLICATION SPEC	WEIGHT
MATERIAL	FINISH	114-13120	Customer Drawing
		SCALE 6:1	SHEET 4 OF 10 REV E

LOC	DIST	REVISIONS			
GP	00	REV	DATE	BY	APPV
		1	SEE SHEET 1		



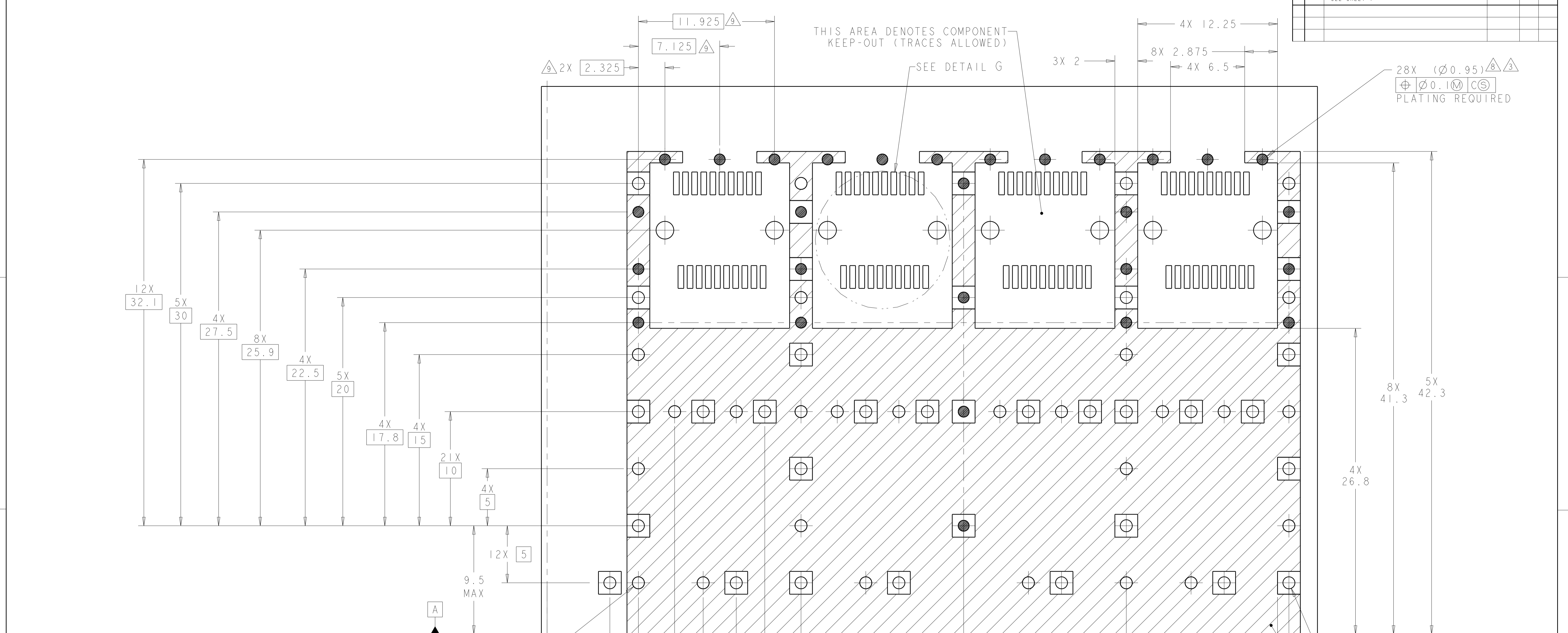
DETAIL F
RECOMMENDED PT CONNECTOR LAYOUT
4X INDIVIDUALLY
SCALE 12:1

2007132-1
RECOMMENDED PCB CONFIGURATION
WITH KEEP-OUT AREAS
SINGLE SIDED APPLICATIONS

THIS DRAWING IS A CONTROLLED DOCUMENT.		OWN: M. SCHMITT 21JUN2007	TE Connectivity
DIMENSIONS: mm		CHK: M. SCHMITT 21JUN2007	
TOLERANCES UNLESS OTHERWISE SPECIFIED:		APV: B. WERTZ 21JUN2007	NAME: SFP+ 1X4 CAGE ASSEMBLY PRESS FIT, EXTERNAL EMI SPRINGS
0 PLC	±0.1	PRODUCT SPEC	108-2364
1 PLC	±0.1	APPLICATION SPEC	114-13120
2 PLC	±0.1	WEIGHT	A100779C=2007132
3 PLC	±0.1	Customer Drawing	SCALE 6:1 SHEET 5 OF 10 REV E
4 PLC	±0.1		
ANGLES	±1°		
MATERIAL			
FINISH			

LOC	DIST	REV	DATE	APP'D
GP	00			

REVISIONS				
REV	DATE	APP'D	DESCRIPTION	BY
-	-	-	SEE SHEET 1	-

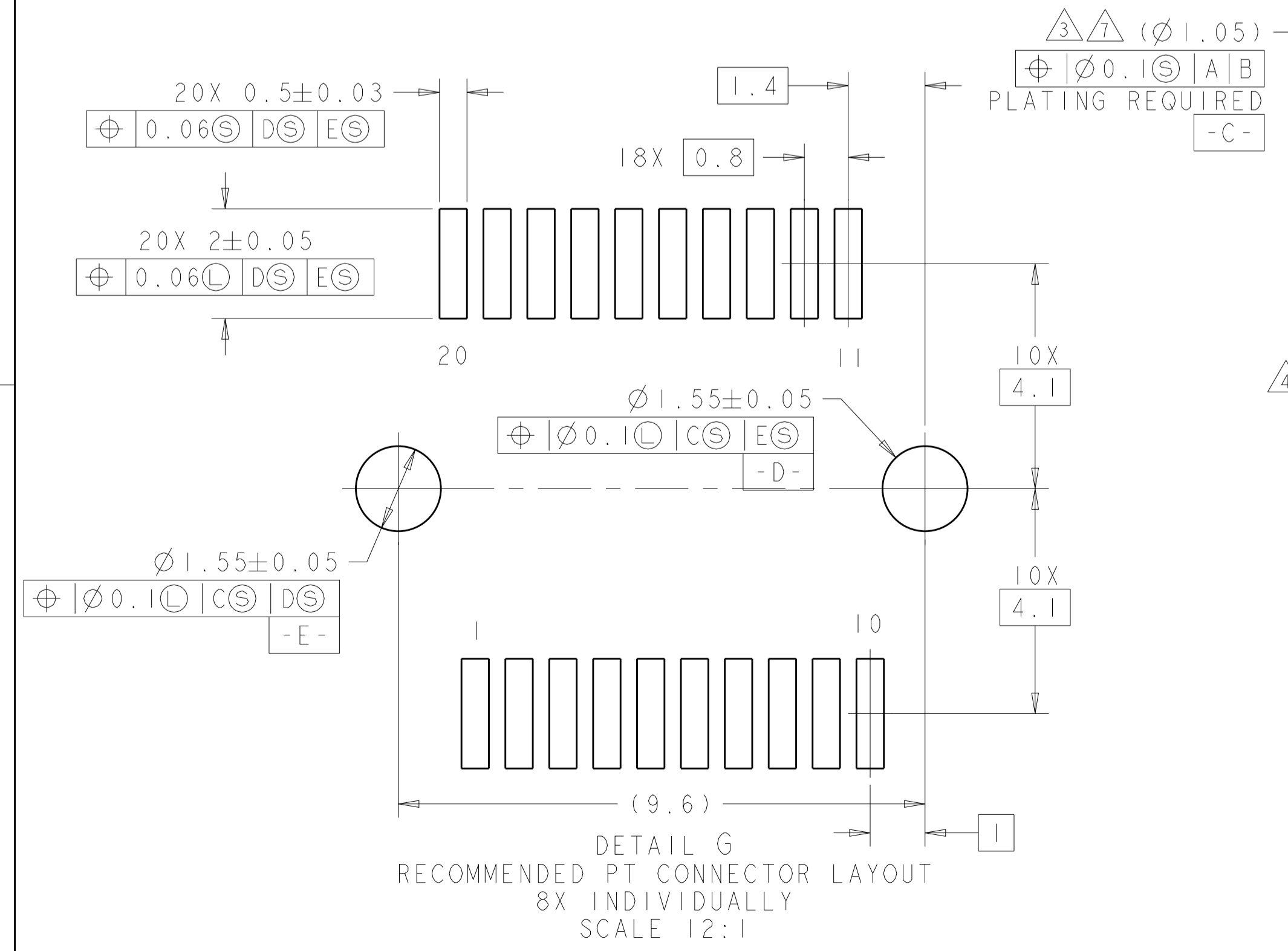


THIS AREA DENOTES COMPONENT KEEP-OUT (TRACES ALLOWED)

SEE DETAIL G

28X (Ø0.95) PLATING REQUIRED

51X (Ø1.05) PLATING REQUIRED
 CROSS-HATCHED AREA DENOTES COMPONENT AND TRACE KEEP-OUT (EXCEPT CHASSIS GROUND)

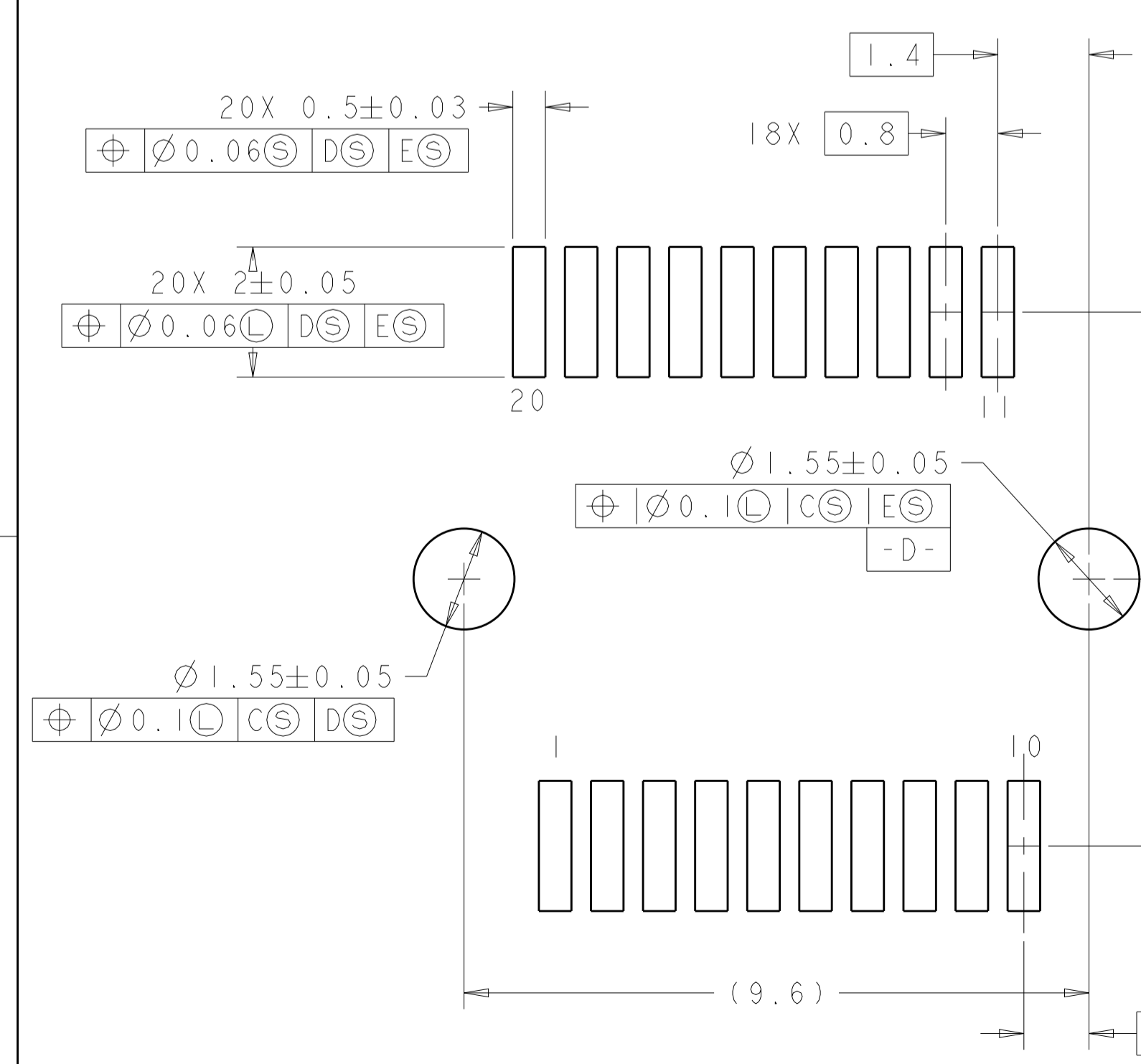
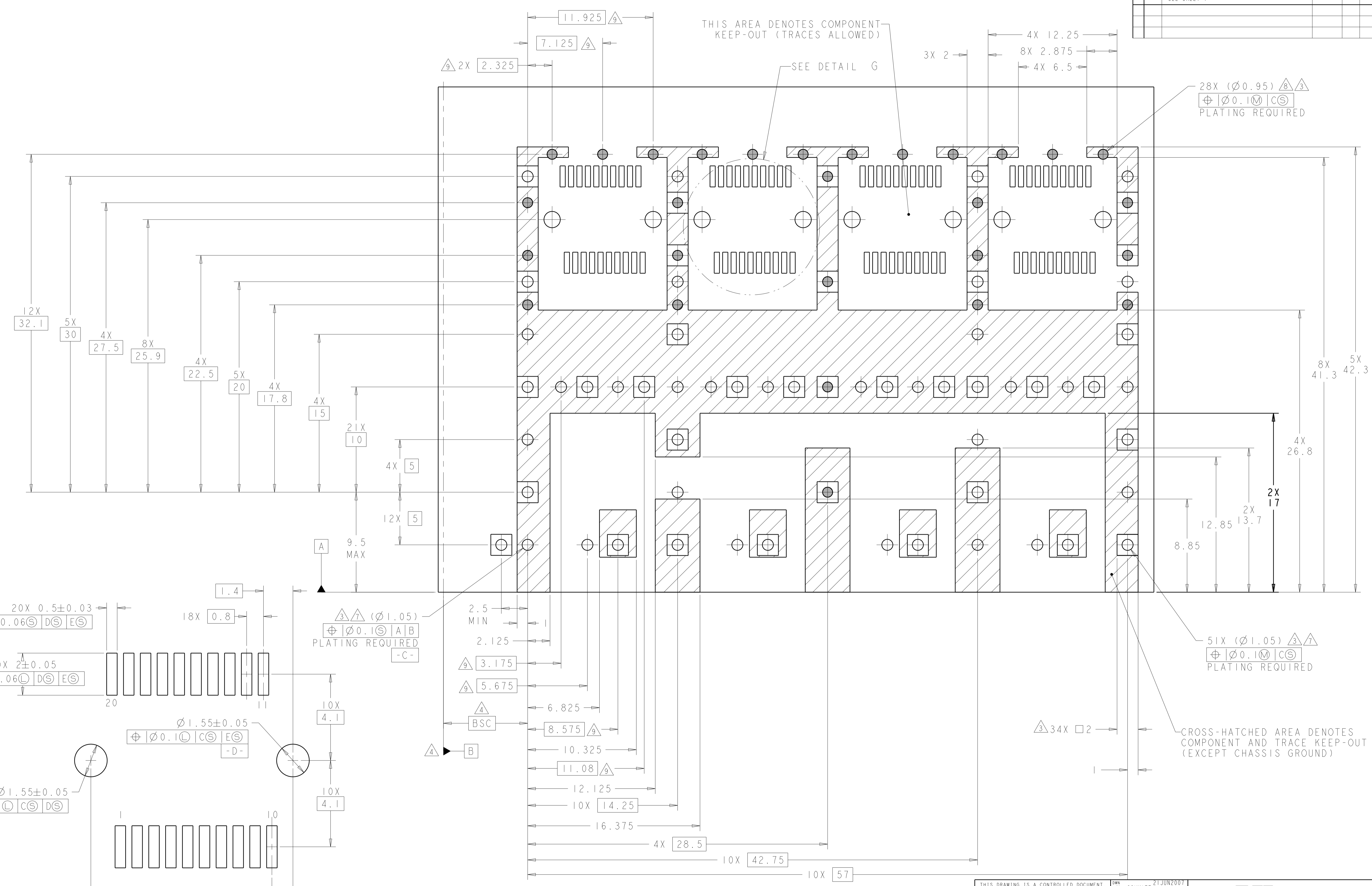


2007132-1
 RECOMMENDED PCB CONFIGURATION WITH KEEP-OUT AREAS
 BELLY TO BELLY APPLICATIONS

THIS DRAWING IS A CONTROLLED DOCUMENT.		OWN: M. SCHMITT 21JUN2007	TE Connectivity
DIMENSIONS: mm		CHK: M. SCHMITT 21JUN2007	
TOLERANCES UNLESS OTHERWISE SPECIFIED:		APP'D: B. WERTZ 21JUN2007	NAME: SFP+ 1X4 CAGE ASSEMBLY PRESS FIT, EXTERNAL EMI SPRINGS
0 PLC	±0.1	PRODUCT SPEC	SIZE: CAGE CODE DRAWING NO
1 PLC	±0.1	APPLICATION SPEC	RESTRICTED TO
2 PLC	±0.1	108-2364	A100779C=2007132
3 PLC	±0.1	114-13120	SCALE: 6:1 SHEET 6 OF 10 REV E
4 PLC	±0.1	Customer Drawing	
ANGLES	±1°		

LOC	DIST	REV	DATE	BY	APPV
GP	00				

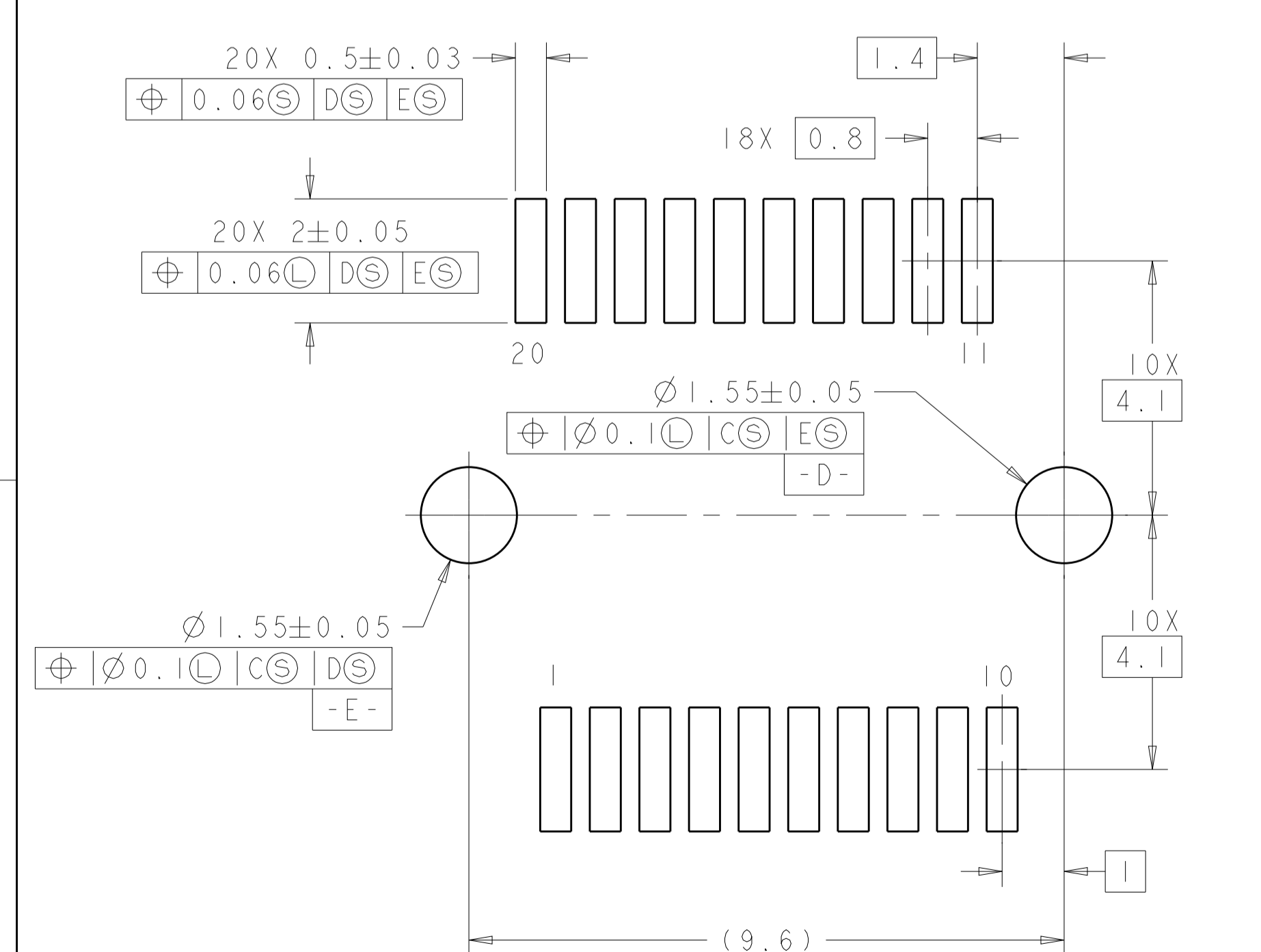
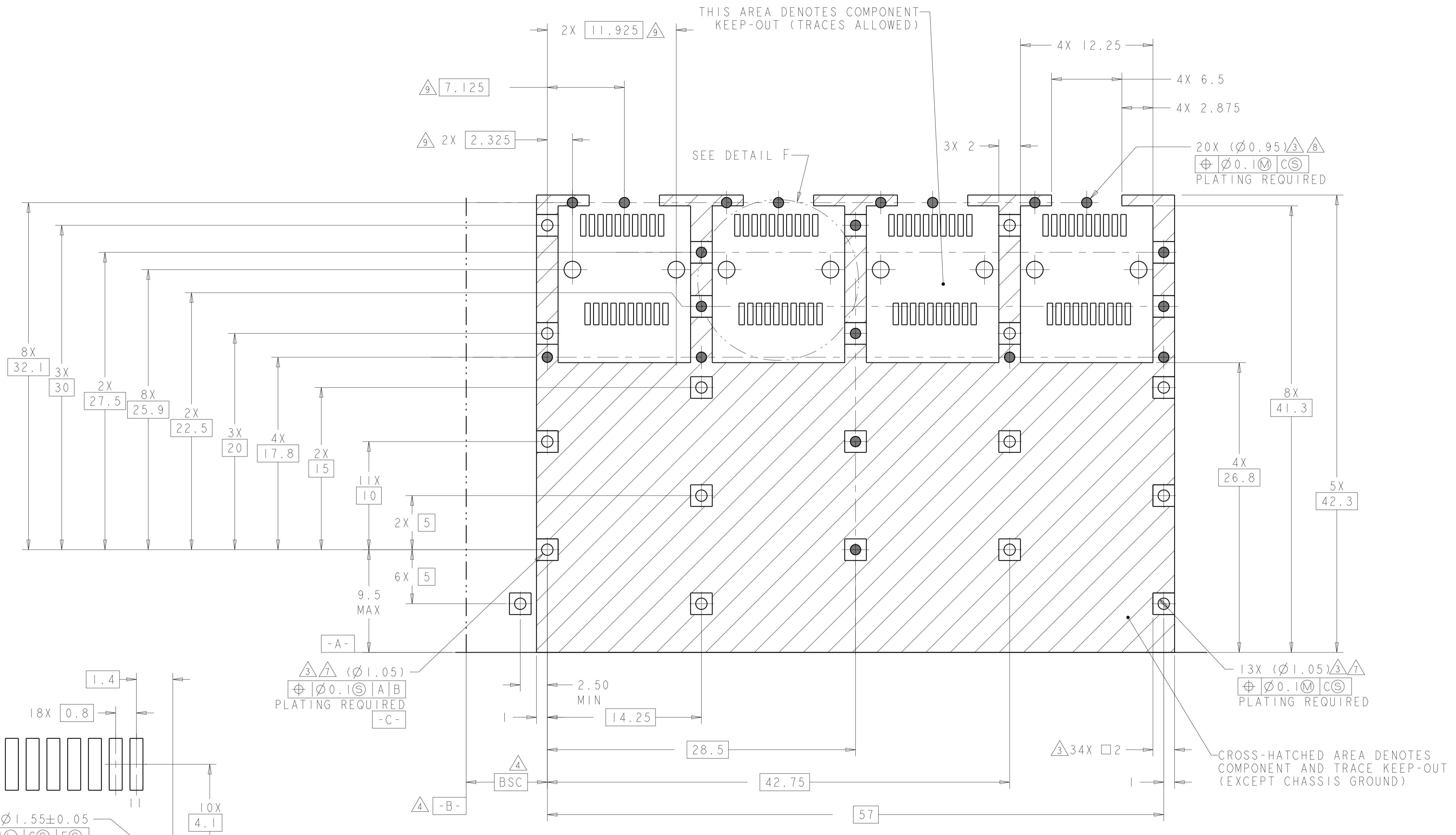
REVISIONS			
NO.	DESCRIPTION	DATE	BY
1	SEE SHEET 1		



2007132-5
 RECOMMENDED PCB CONFIGURATION
 WITH KEEP-OUT AREAS
 BELLY TO BELLY APPLICATIONS

THIS DRAWING IS A CONTROLLED DOCUMENT.		OWN: M. SCHMITT 21JUN2007		TE Connectivity
DIMENSIONS: mm		CHK: M. SCHMITT 21JUN2007		NAME: SFP+ 1X4 CAGE ASSEMBLY PRESS FIT, EXTERNAL EMI SPRINGS
TOLERANCES UNLESS OTHERWISE SPECIFIED:		APV: B. WERTZ 21JUN2007	PRODUCT SPEC: 108-2364	RESTRICTED TO:
Ø PLC ±0.1		APPLICATION SPEC: 114-13120	SIZE: A100779	SCALE: 6:1
PLC ±0.1		WEIGHT: -	CAGE CODE: C=2007132	SHEET: 8 OF 10
3 PLC ±0.1				REV: E
4 PLC ±0.1				
ANGLES ±0.1				
FINISH: ±1°				
MATERIAL: -				

LOC	DIST	REV	DESCRIPTION	DATE	OWN	APVD
GP	00		SEE SHEET 1			

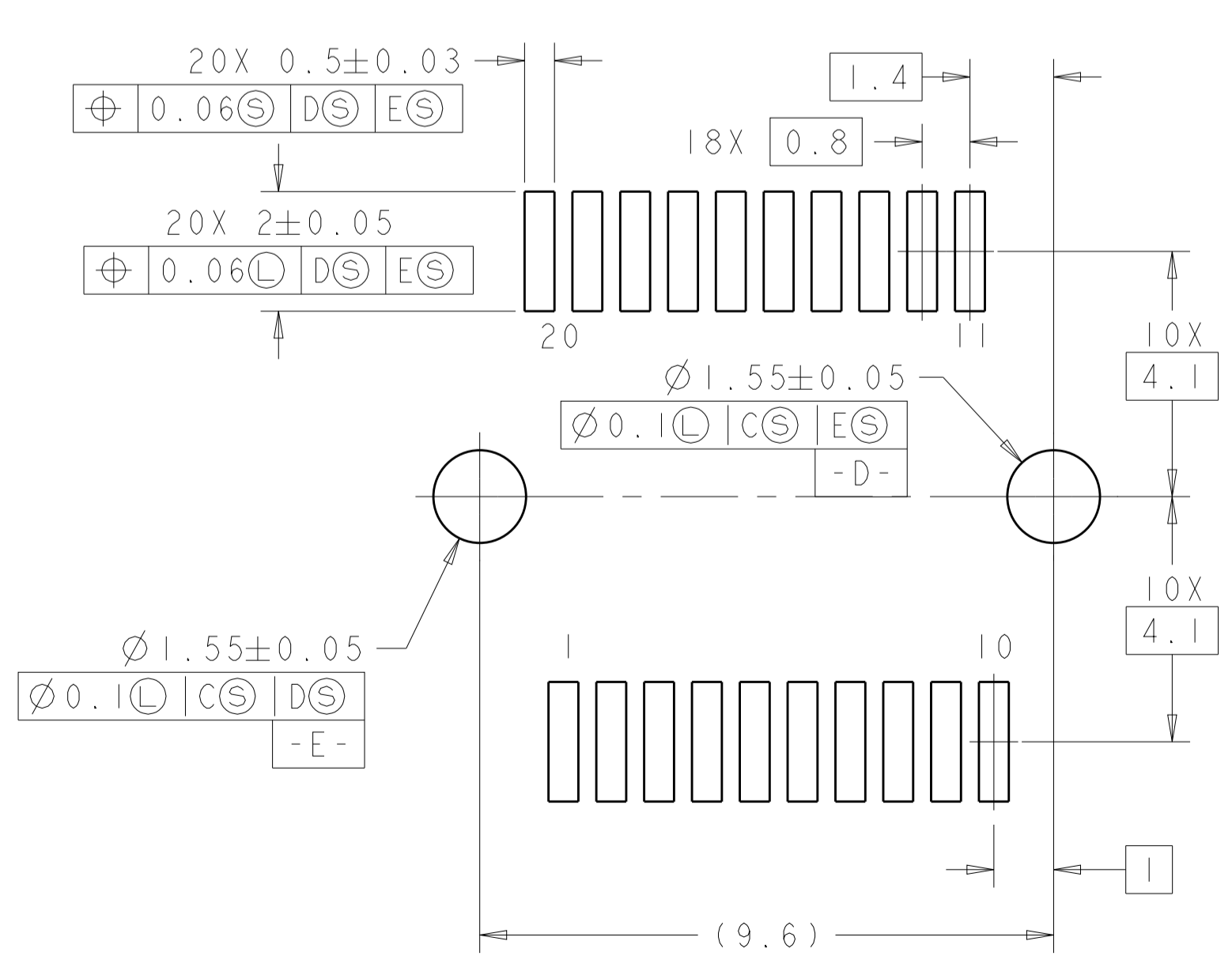
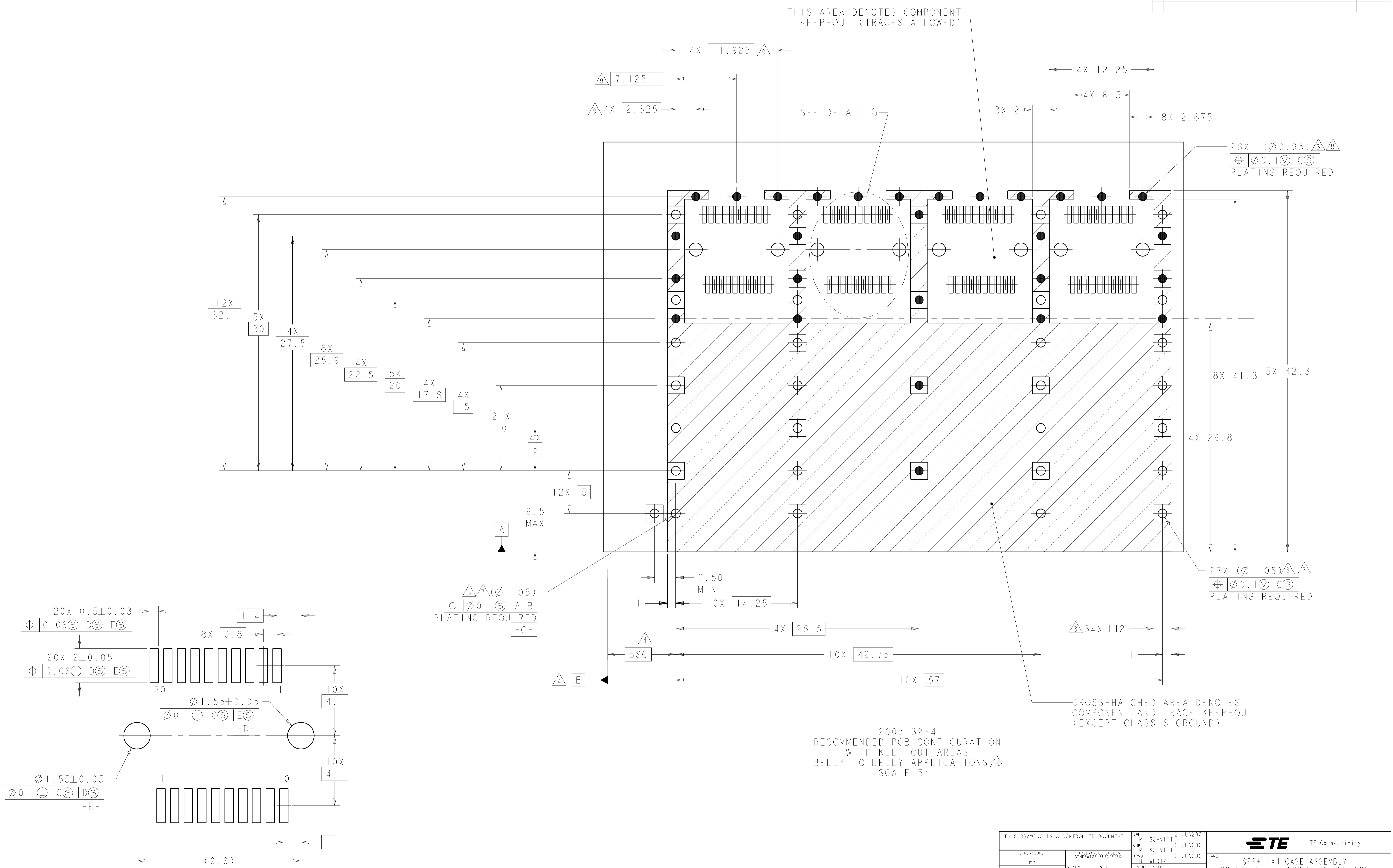


DETAIL F
 RECOMMENDED PT CONNECTOR LAYOUT
 4X INDIVIDUALLY
 SCALE 12:1

2007132-4
 RECOMMENDED PCB CONFIGURATION
 WITH KEEP-OUT AREAS
 SINGLE SIDED APPLICATIONS Δ
 SCALE 5:1

THIS DRAWING IS A CONTROLLED DOCUMENT.		OWN: M. SCHMITT 21 JUN 2007		TE Connectivity NAME: SFP+ 1X4 CAGE ASSEMBLY PRESS FIT, EXTERNAL EMI SPRINGS
DIMENSIONS: mm		CHK: M. SCHMITT 21 JUN 2007		
TOLERANCES UNLESS OTHERWISE SPECIFIED:		APVD: B. WERTZ 21 JUN 2007		
0 PLC	\pm 0.1	PRODUCT SPEC	108-2364	SIZE: CAGE CODE DRAWING NO RESTRICTED TO A1 00779C=2007132
1 PLC	\pm 0.1	APPLICATION SPEC	114-13120	
2 PLC	\pm 0.1	WEIGHT	-	SCALE 1:1 SHEET 9 OF 10 REV F
3 PLC	\pm 0.1	CUSTOMER DRAWING	-	
4 PLC	\pm 0.1			
ANGLES	\pm 0.1			

LOC	DIST	REVISIONS					
GP	00	P	LTM	DESCRIPTION	DATE	DWN	APVD
		-	-	SEE SHEET 1	-	-	-



2007132-4
RECOMMENDED PCB CONFIGURATION
WITH KEEP-OUT AREAS
BELLY TO BELLY APPLICATIONS
SCALE 5:1

CROSS-HATCHED AREA DENOTES
COMPONENT AND TRACE KEEP-OUT
(EXCEPT CHASSIS GROUND)

THIS DRAWING IS A CONTROLLED DOCUMENT.		DWN: M. SCHMITT 21JUN2007	 TE Connectivity
DIMENSIONS: mm		CHK: M. SCHMITT 21JUN2007	
TOLERANCES UNLESS OTHERWISE SPECIFIED:		APVD: B. WERTZ 21JUN2007	NAME: SFP+ 1X4 CAGE ASSEMBLY PRESS FIT, EXTERNAL EMI SPRINGS
0 PLC ±0.1		PRODUCT SPEC	
1 PLC ±0.1		108-2364	
2 PLC ±0.1		APPLICATION SPEC	SIZE: A1 CAGE CODE: 00779 DRAWING NO: 2007132
3 PLC ±0.1		114-13120	
4 PLC ±0.1		WEIGHT	RESTRICTED TO: - SCALE: 1:1 SHEET 10 OF 10 REV E
ANGLES ±1°		Customer Drawing	

X-ON Electronics

Largest Supplier of Electrical and Electronic Components

Click to view similar products for [I/O Connectors](#) category:

Click to view products by [TE Connectivity](#) manufacturer:

Other Similar products are found below :

[571763P](#) [58098-0628](#) [72.250.1628.2](#) [72.250.2428.2](#) [74720-0505](#) [76.350.0729.0](#) [76871-1403](#) [FCN-244F080-G/1](#) [FCN-260A9920](#) [PCR-E36PM](#) [PCS-XE26MA+](#) [G38A71314B](#) [1571250010](#) [157-22500-3](#) [MS3471L14-19P L/C](#) [172501-4002](#) [172501-6002](#) [FCN-260C008-A/L0](#) [FCN-260C024-AL0](#) [FCN-261Z008](#) [2000314-1](#) [200331-1](#) [PCR-E36FC+](#) [PCS-E28FS+](#) [PCS-XE26SLFD+](#) [PCS-XE26SLFDT+](#) [G730VID08BDC24](#) [U90B2054081210](#) [38113800006](#) [DP3AR020WQ1R200](#) [Z4.102.0680.0](#) [500-1040](#) [500-1052](#) [500-1054](#) [ZP-4008-66L](#) [0709821002](#) [DX40-20P\(55\)](#) [5554841-1](#) [MS3474W18-8P-LC*](#) [U90B3054061110](#) [U65-E04-4020](#) [ZPF000000000097891](#) [747360449](#) [10099439-003C-TRLF](#) [10137239-0021LF](#) [E9320-001-01](#) [10137239-0011LF](#) [70289-001LF](#) [70.060.1028.0](#) [109029-ZZ](#)