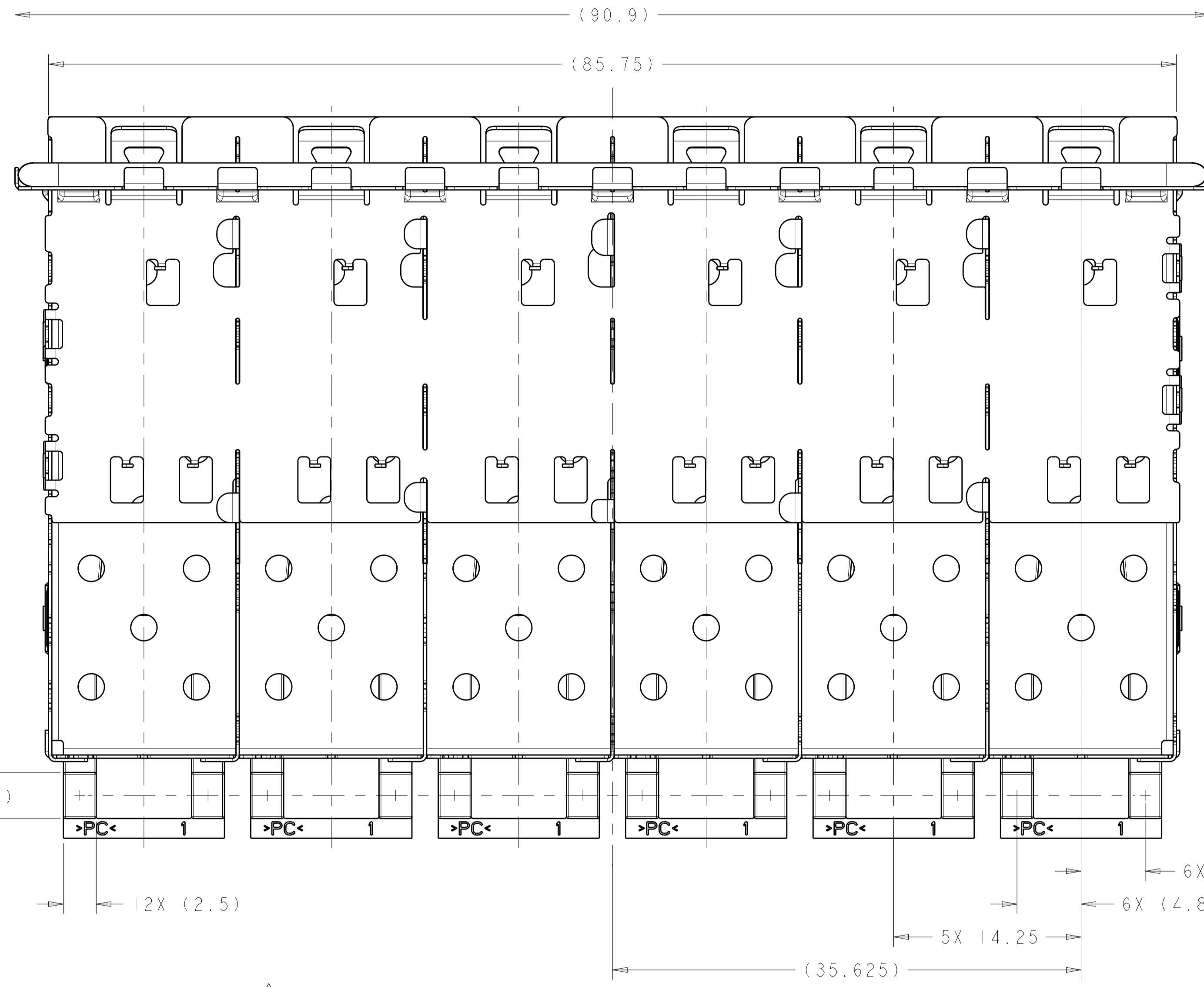
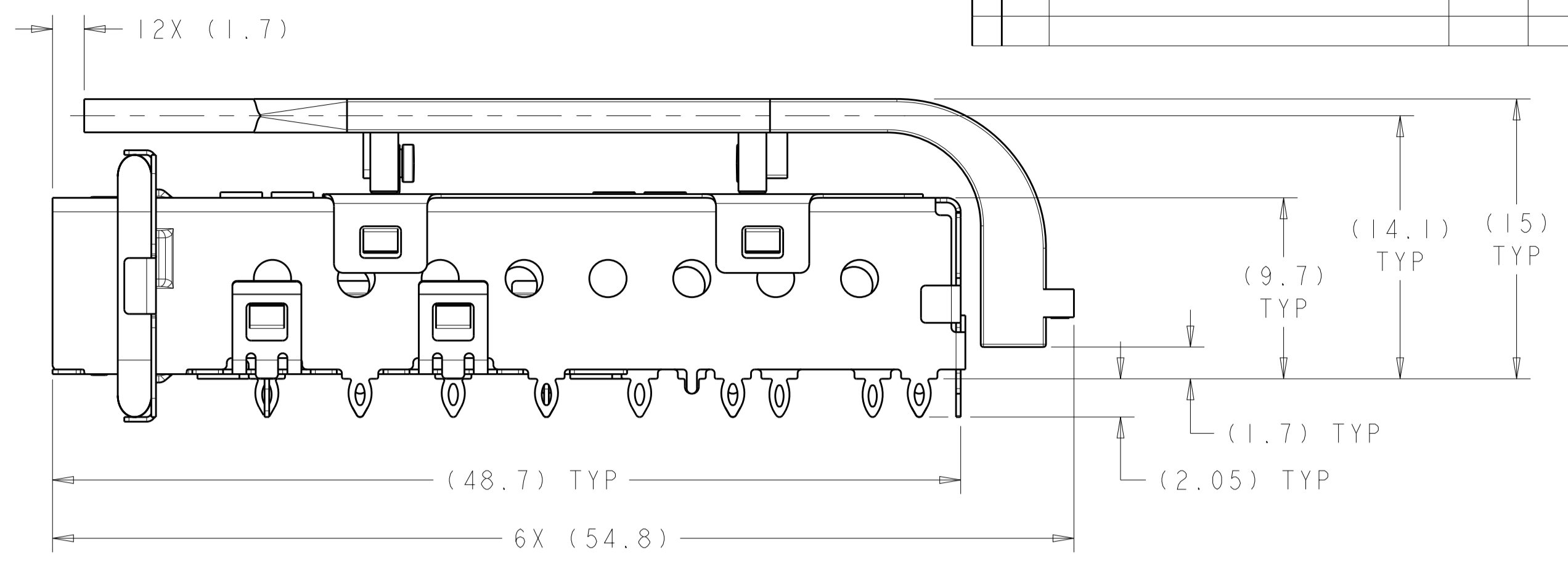
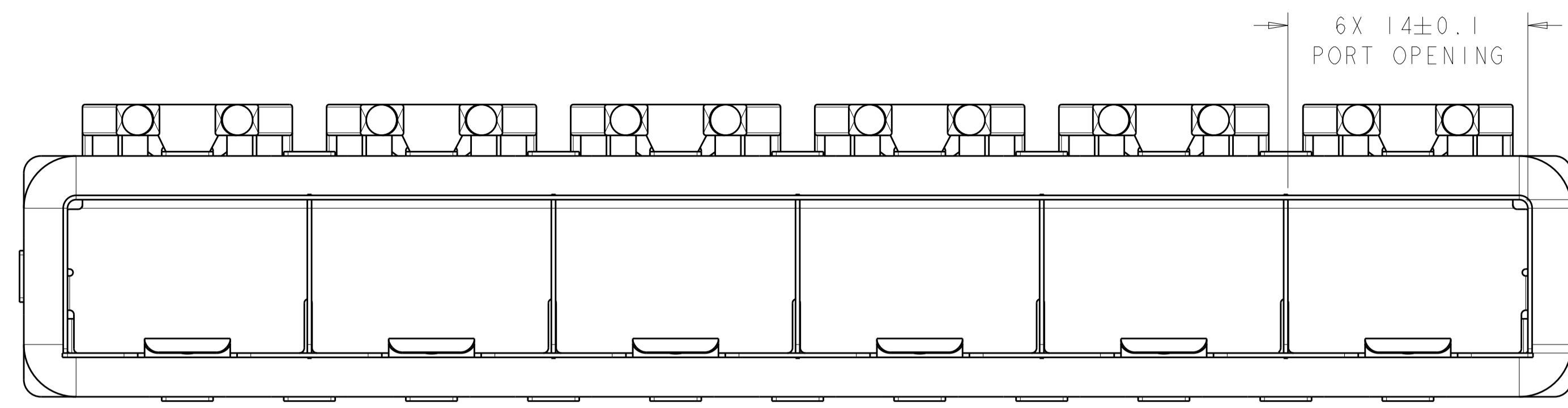
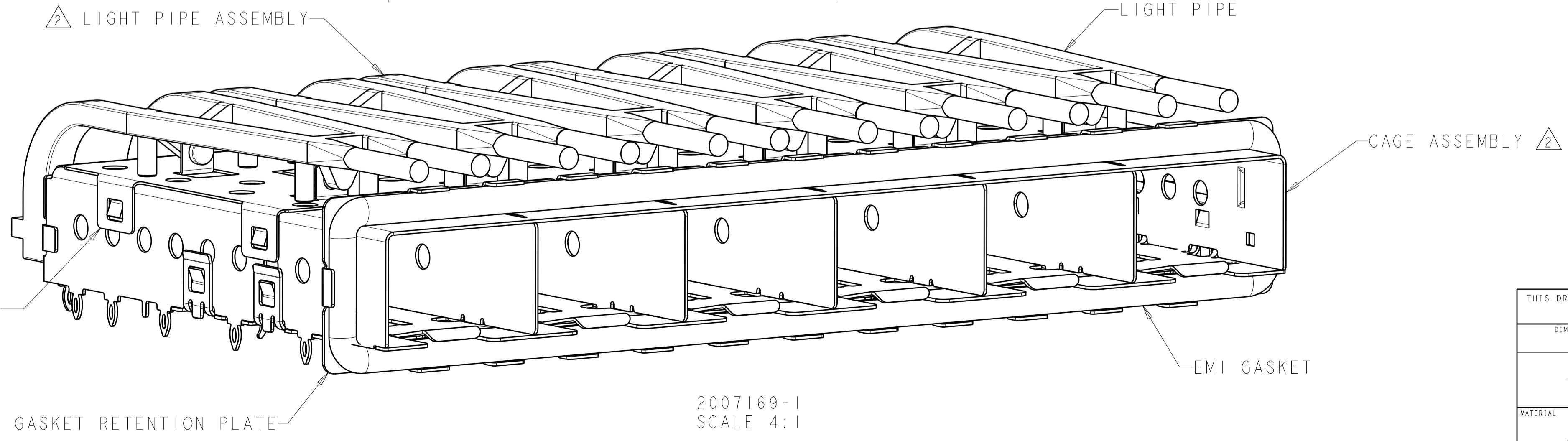


LOC	DIST	REVISIONS			
GP	00	REV	DATE	BY	APPV
		D	REVISED PER ECO-12-014021	17DEC2012	JY AC



- △ MATERIAL:
 CAGE ASSEMBLY: 0.25mm THICK NICKEL SILVER ALLOY
 GASKET RETENTION PLATE: STAINLESS STEEL
 GASKET: PLATED FILLED SILICONE
 LIGHT PIPE BRACKET: STAINLESS STEEL
 LIGHT PIPE: POLYCARBONATE, CLEAR
- △ LIGHT PIPE ASSEMBLY SHIPPED UNASSEMBLED TO CAGE ASSEMBLY. CAGE ASSEMBLY TO BE PRESSED INTO THE PCB PRIOR TO ATTACHING THE LIGHT PIPE ASSEMBLY TO THE CAGE.
- 3. MATES WITH SFP MSA COMPLIANT TRANSCEIVERS.
- △ PADS AND VIAS CHASSIS GROUND.
- 5. INTERPRETATION OF DATUM REFERENCE FRAME IN ACCORDANCE WITH SECT 4.4.1.1 OF ASME Y14.5M-1994.
- △ MINIMUM PC BOARD THICKNESS = 1.50mm.
- △ HOLE PATTERN REPEATS FOR EACH PORT. SPACING BETWEEN PORTS IS 14.25mm.
- △ DATUM AND BASIC DIMENSION ESTABLISHED BY CUSTOMER.
- △ REFERENCE APPLICATION SPEC. 114-13120, HOLE A, FOR RECOMMENDED DRILL HOLE DIAMETER AND PLATING THICKNESS.
- △ REFERENCE APPLICATION SPEC. 114-13120, HOLE B, FOR RECOMMENDED DRILL HOLE DIAMETER AND PLATING THICKNESS.
- 11. PRODUCT COMPLIES WITH SPECIFICATION SFF-8433 IMPROVED PLUGGABLE FORM FACTOR FOR SFP+ GANGED CAGES.

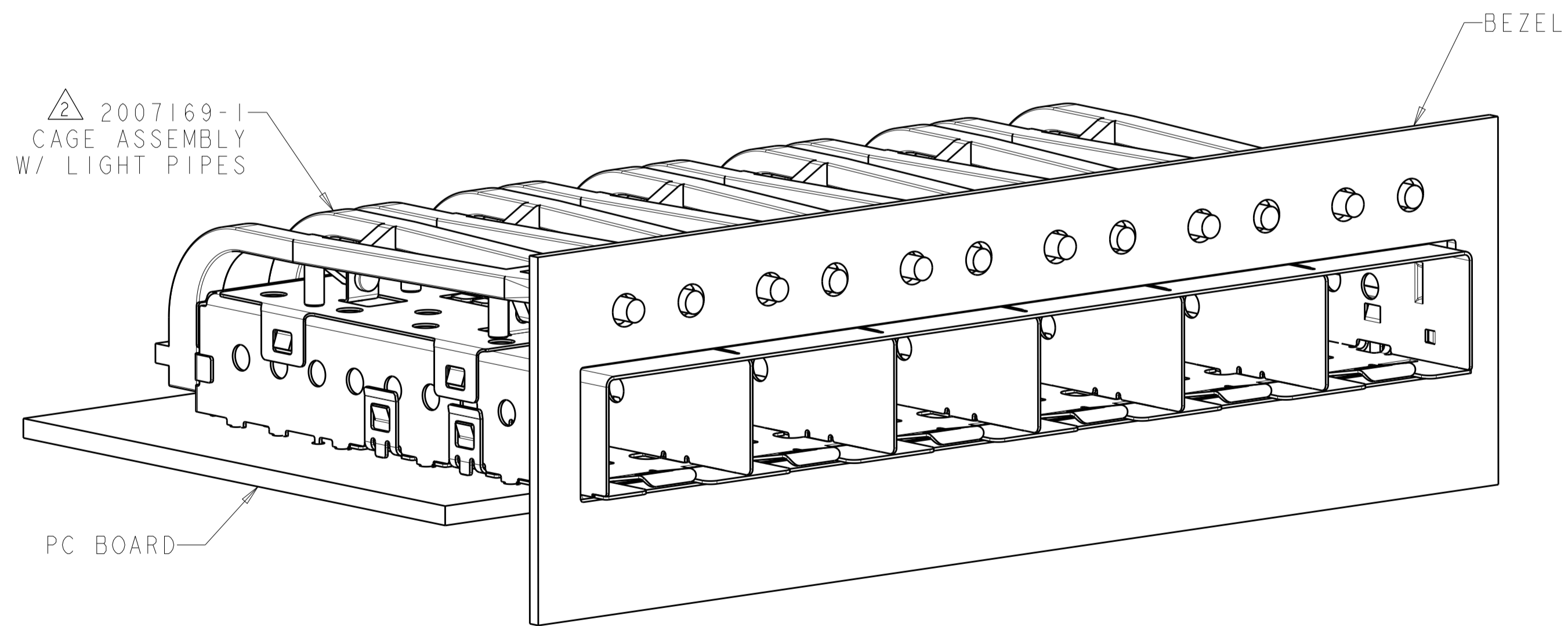
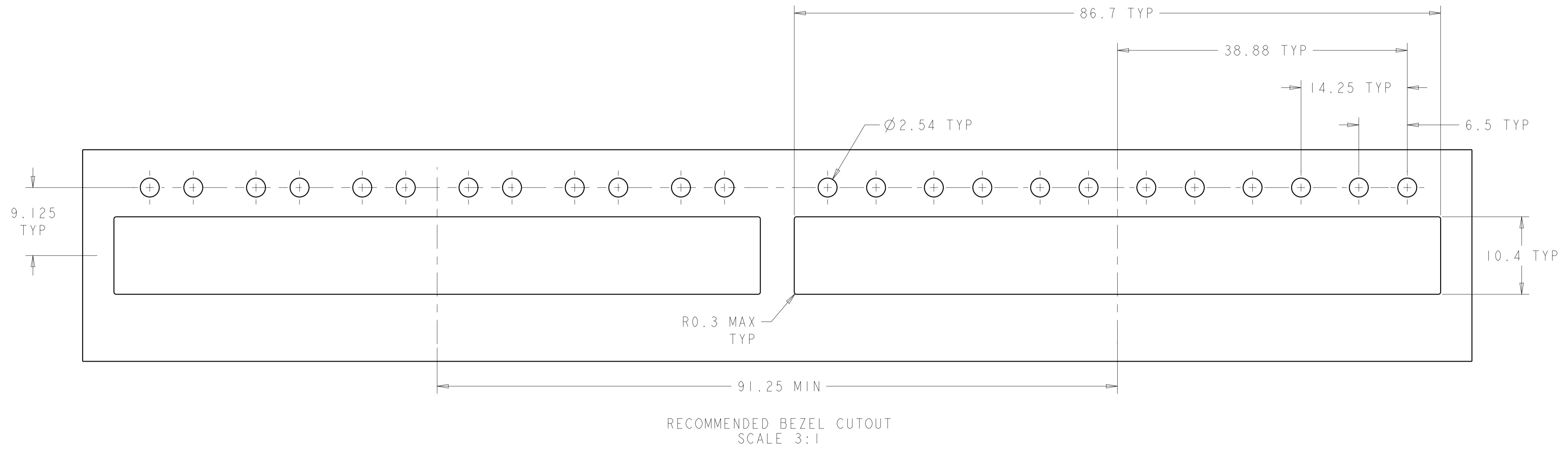


2007169-1
 SCALE 4:1

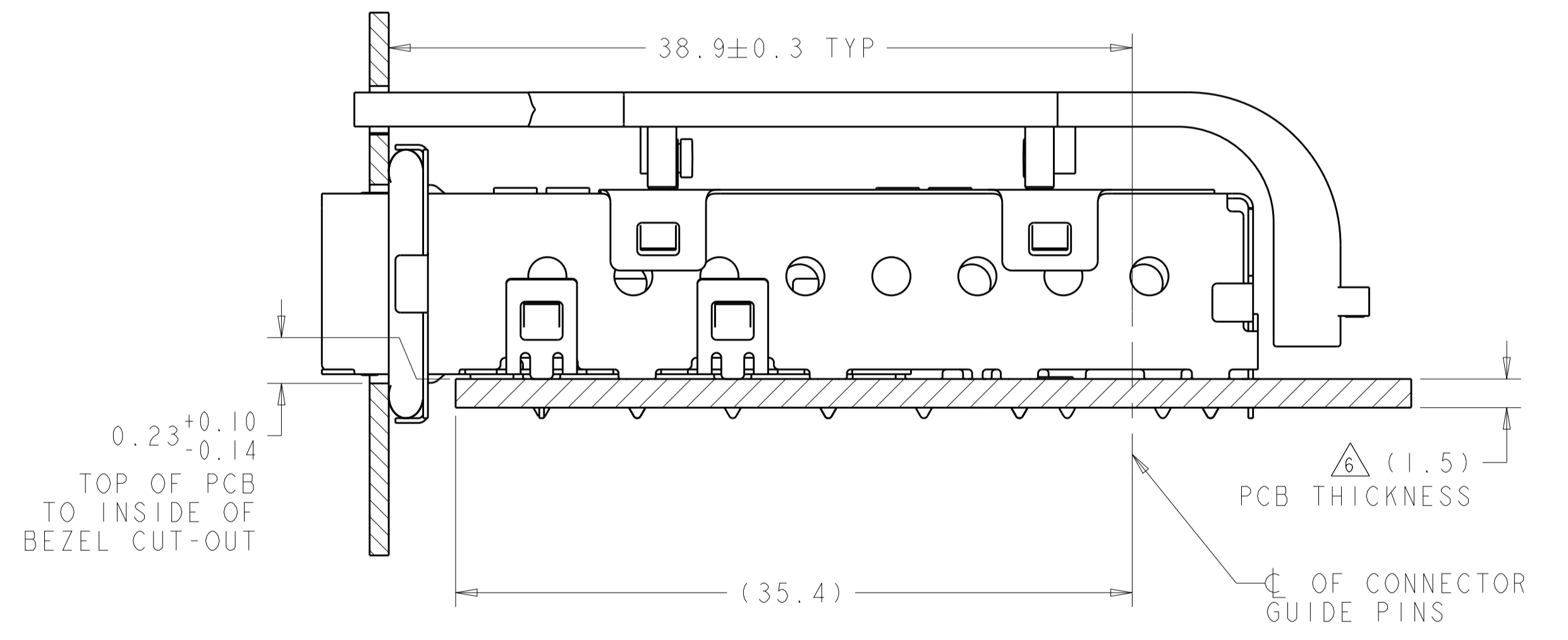
2007169-1
 PART NUMBER

THIS DRAWING IS A CONTROLLED DOCUMENT.		OWN: Z.M. REAM 17JUL2007	TE Connectivity	
DIMENSIONS: mm		CHK: M.R. SCHMITT 17JUL2007		
TOLERANCES UNLESS OTHERWISE SPECIFIED:		APV: R.H. WERTZ 17JUL2007	NAME: SFP+ 1X6 CAGE ASSEMBLY PRESS FIT, EMI GASKET WITH LIGHT PIPES	
0 PLC ±0.1	1 PLC ±0.1	PRODUCT SPEC: 108-2364	SIZE: A1	
2 PLC ±0.1	3 PLC ±0.1	APPLICATION SPEC: 114-13120	CAGE CODE: 2007169	
4 PLC ±0.1	ANGLES ±1°	WEIGHT: -	RESTRICTED TO: -	
MATERIAL: -		FINISH: -	SCALE: 4:1 SHEET 1 OF 3 REV D	
Customer Drawing				

LOC	DIST	REVISIONS			
P	LTN	DESCRIPTION	DATE	DMN	APVD
-	-	SEE SHEET 1	-	-	-



2007169-1
 MOUNTED ON PC BOARD SHOWN
 THRU RECOMMENDED BEZEL
 SCALE 3:1



2007169-1
 MOUNTED ON PC BOARD SHOWN
 THRU RECOMMENDED BEZEL

THIS DRAWING IS A CONTROLLED DOCUMENT.		DMN Z. M. BEAM 17JUL2007	TE Connectivity
DIMENSIONS: mm		CHK M. R. SCHMITT 17JUL2007	
TOLERANCES UNLESS OTHERWISE SPECIFIED:		APVD B. H. WERTZ 17JUL2007	NAME SFP+ 1X6 CAGE ASSEMBLY PRESS FIT, EMI GASKET WITH LIGHT PIPES
0 PLC ±0.1	1 PLC ±0.1	PRODUCT SPEC 108-2364	SIZE A100779C=2007169
2 PLC ±0.1	3 PLC ±0.1	APPLICATION SPEC 114-13120	RESTRICTED TO
4 PLC ±0.1	ANGLES ±1°	WEIGHT	SCALE 4:1 SHEET 2 OF 3 REV D
MATERIAL	FINISH	Customer Drawing	

X-ON Electronics

Largest Supplier of Electrical and Electronic Components

Click to view similar products for [I/O Connectors](#) category:

Click to view products by [TE Connectivity](#) manufacturer:

Other Similar products are found below :

[571763P](#) [72.250.1628.2](#) [72.250.2428.2](#) [74720-0505](#) [76.350.0729.0](#) [76871-1403](#) [FCN-244F080-G/1](#) [FCN-260A9920](#) [MP-5T180MUNNA-005](#)
[PCR-E36PM](#) [PCS-XE26MA+](#) [G38A71314B](#) [1571250010](#) [157-22500-3](#) [MS3471L14-19P L/C](#) [91-569786-35H](#) [172501-4002](#) [172501-6002](#)
[FCN-260C008-A/L0](#) [FCN-260C024-AL0](#) [FCN-261Z008](#) [2000314-1](#) [200331-1](#) [PCR-E36FC+](#) [PCS-E28FS+](#) [PCS-XE26SLFD+](#) [PCS-](#)
[XE26SLFDT+](#) [G730VID08BDC24](#) [U90B2054081210](#) [UE86K842720321](#) [38113800006](#) [DP3AR020WQ1R200](#) [Z4.102.0680.0](#) [500-1040](#)
[500-1052](#) [500-1054](#) [ZP-4008-66L](#) [0709821002](#) [10-565995-597N](#) [DX40-20P\(55\)](#) [5554841-1](#) [MS3474W18-8P-LC*](#) [U90B3054061110](#) [U65-](#)
[E04-4020](#) [ZPF000000000097891](#) [557-262M2-06C](#) [747360449](#) [10099439-003C-TRLF](#) [10137239-0021LF](#) [E9320-001-01](#)