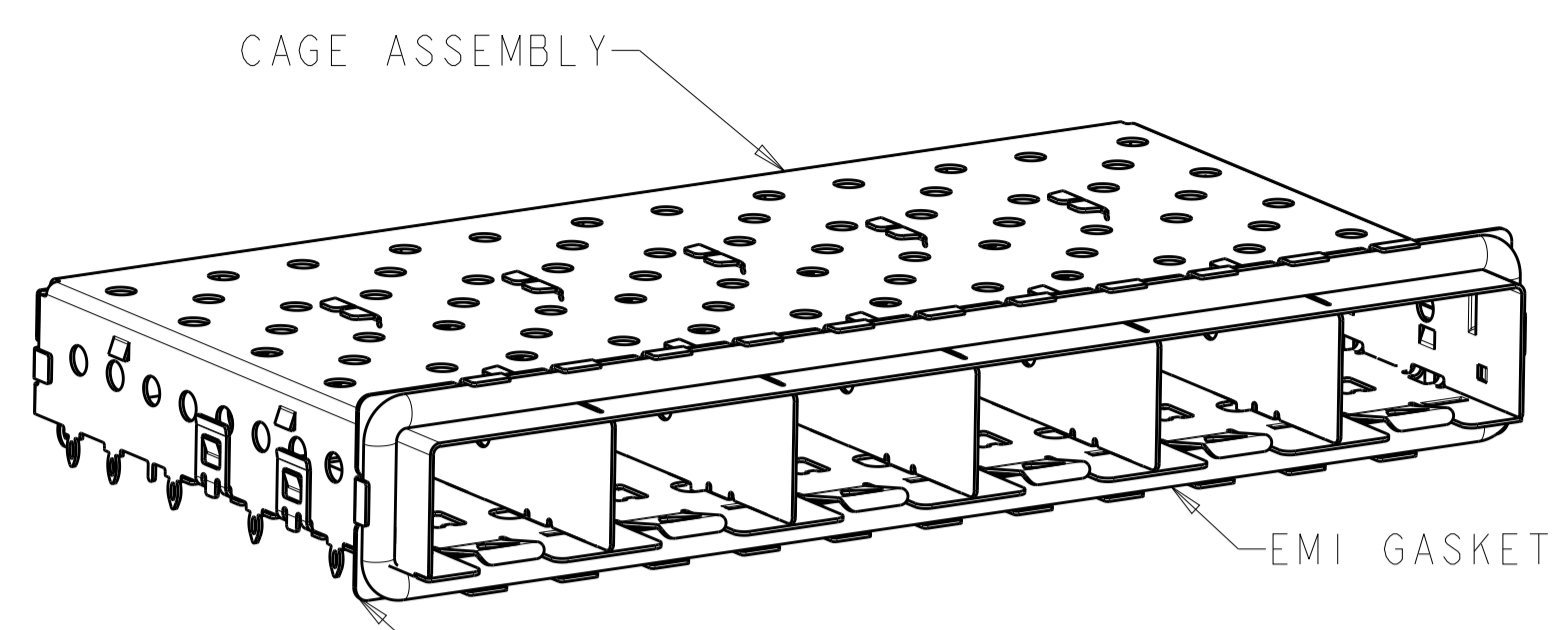
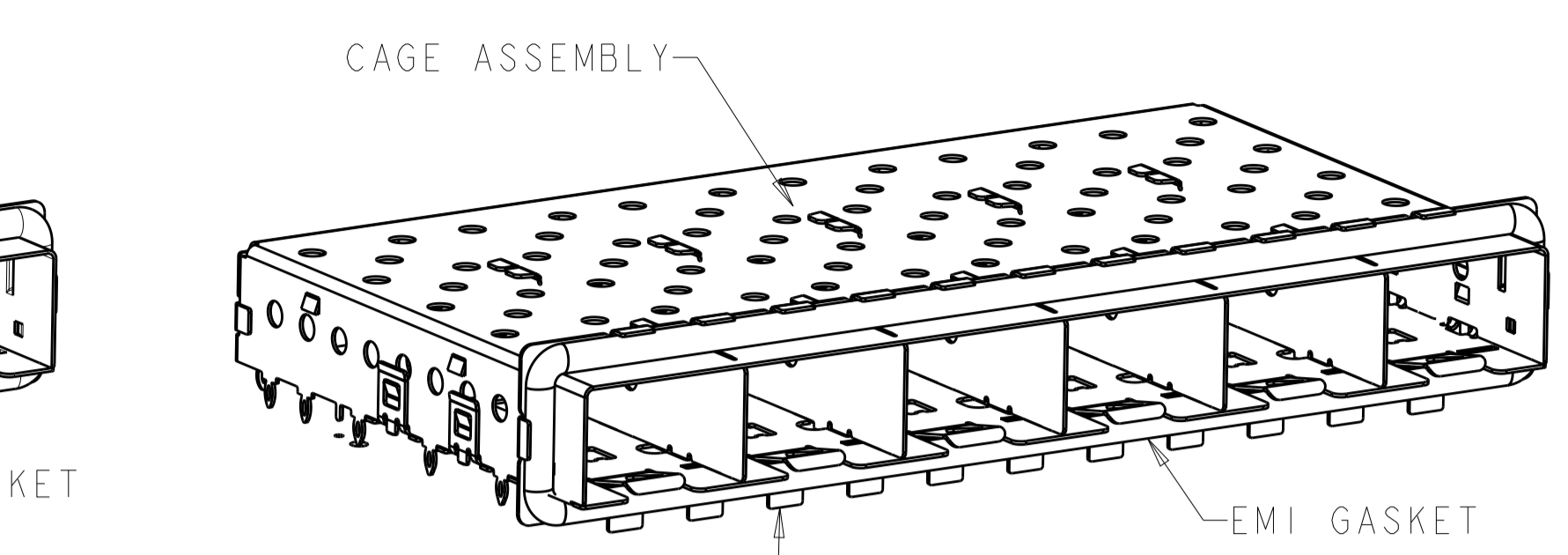


LOC	DIST	REVISIONS					
GP	00	P	LTN	DESCRIPTION	DATE	DWN	APVD
		D		REVISED PER ECO-12-018536	16OCT2012	JY	AC

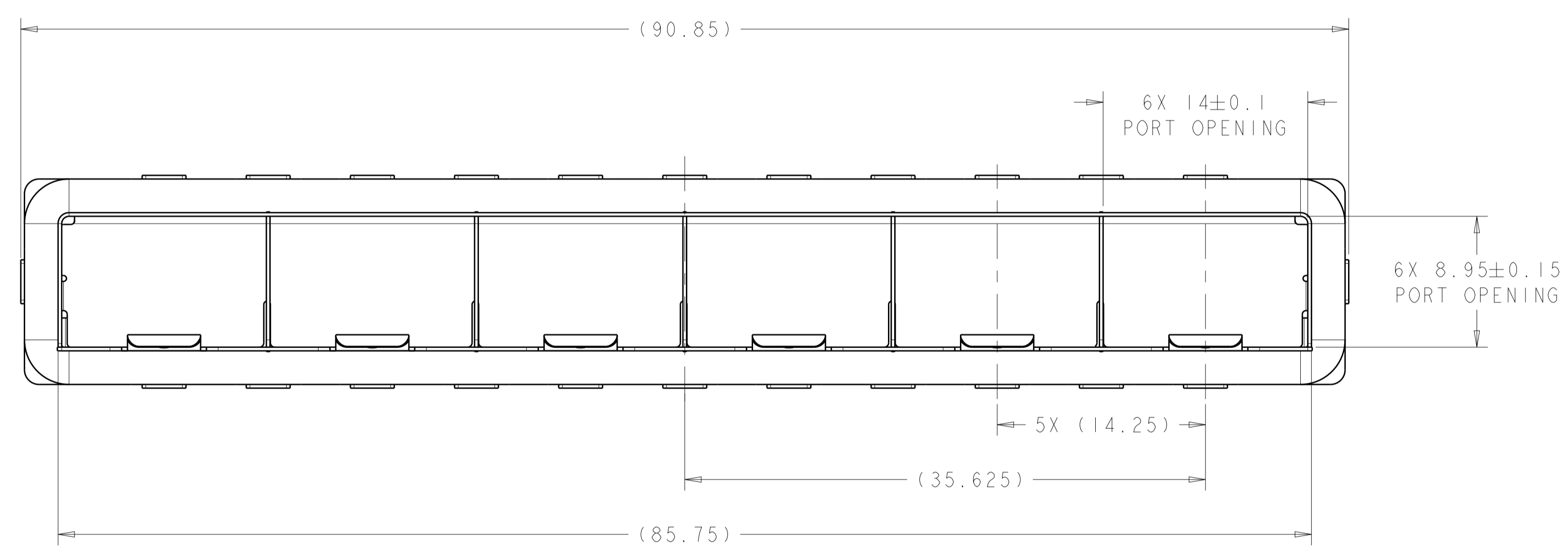


2007170-1
SCALE 2:1

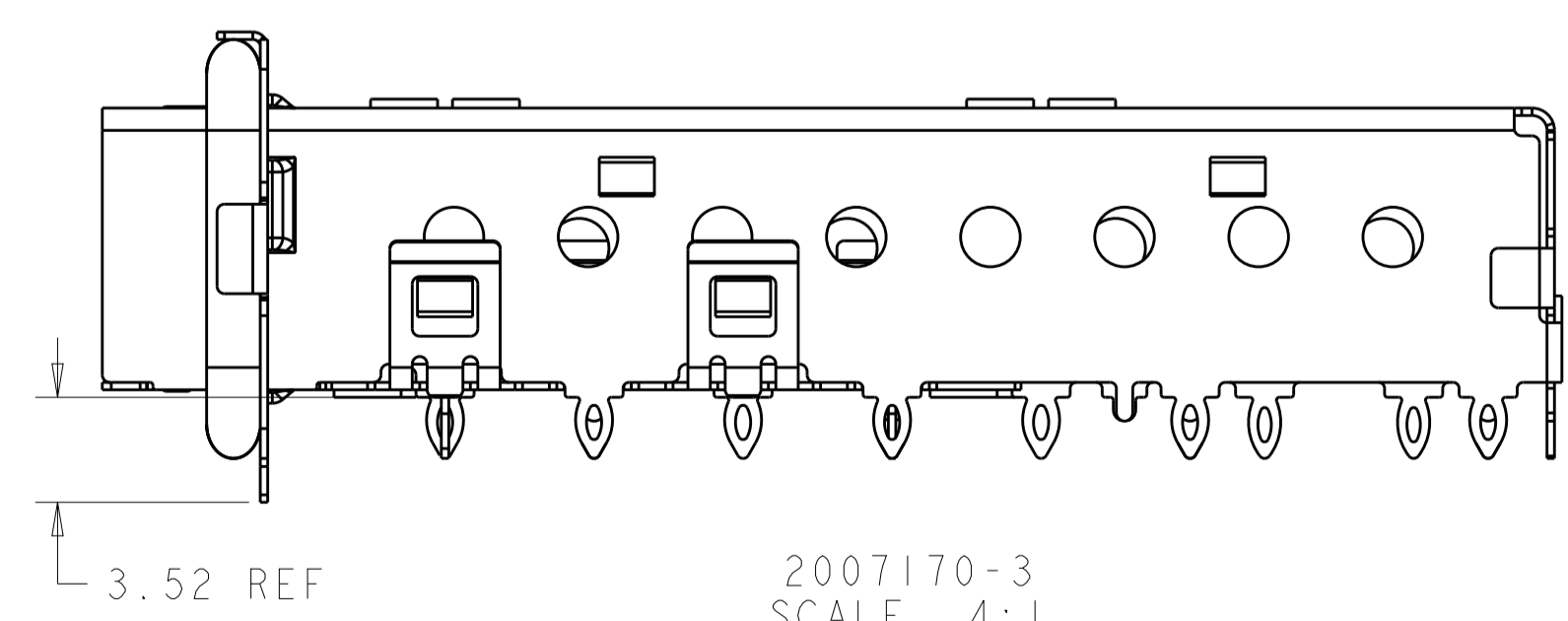
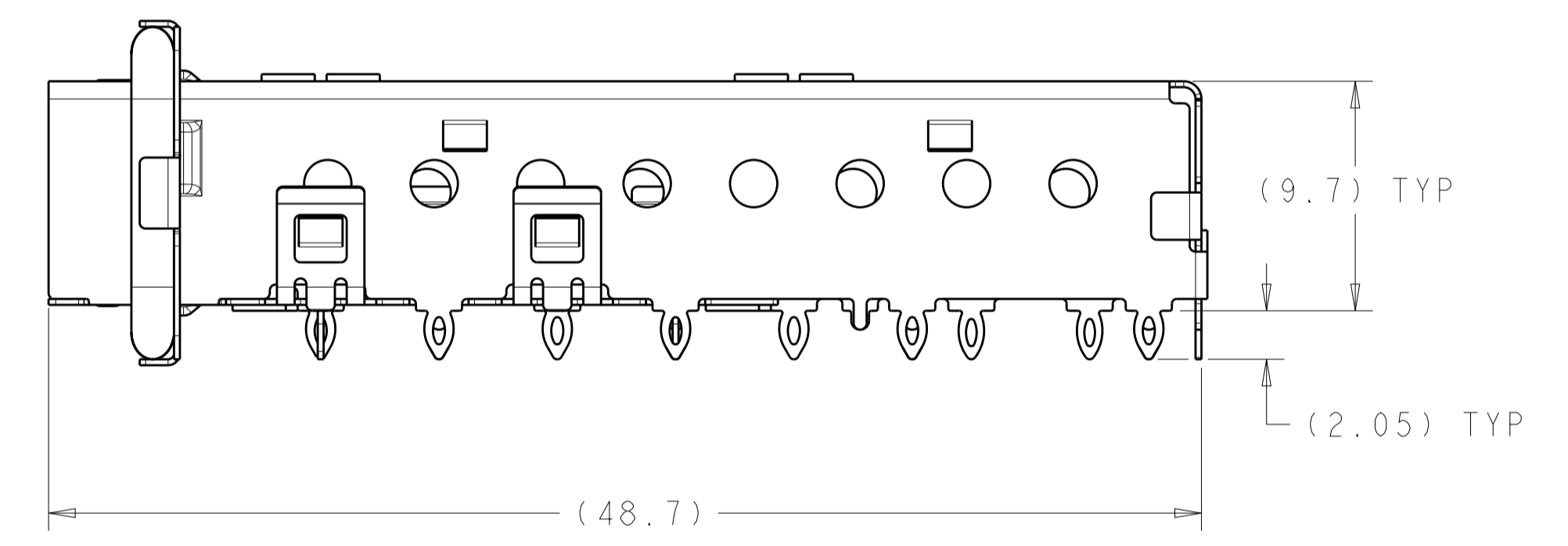


2007170-3
SCALE 2:1

- 1. MATERIAL:
 CAGE ASSEMBLY: 0.25mm THICK NICKEL SILVER ALLOY
 GASKET RETENTION PLATE: STAINLESS STEEL
 GASKET: PLATED FILLED SILICONE
- 2. DATUM AND BASIC DIMENSION ESTABLISHED BY CUSTOMER.
- 3. MATES WITH SFP MSA COMPLIANT TRANSCEIVERS.
- 4. PADS AND VIAS CHASSIS GROUND.
- 5. INTERPRETATION OF DATUM REFERENCE FRAME IN ACCORDANCE WITH SECT 4.4.1.1 OF ASME Y14.5M-1994.
- 6. MINIMUM PC BOARD THICKNESS = 1.50mm.
- 7. HOLE PATTERN REPEATS FOR EACH PORT. SPACING BETWEEN PORTS IS 14.25mm.
- 8. REFERENCE APPLICATION SPEC. 114-13120, HOLE A, FOR RECOMMENDED DRILL HOLE DIAMETER AND PLATING THICKNESS.
- 9. REFERENCE APPLICATION SPEC. 114-13120, HOLE B, FOR RECOMMENDED DRILL HOLE DIAMETER AND PLATING THICKNESS.
- 10. PRODUCT COMPLIES WITH SPECIFICATION SFF-8433 IMPROVED PLUGGABLE FORM FACTOR FOR SFP+ GANGED CAGES.



2007170-1 AS SHOWN
SCALE 4:1

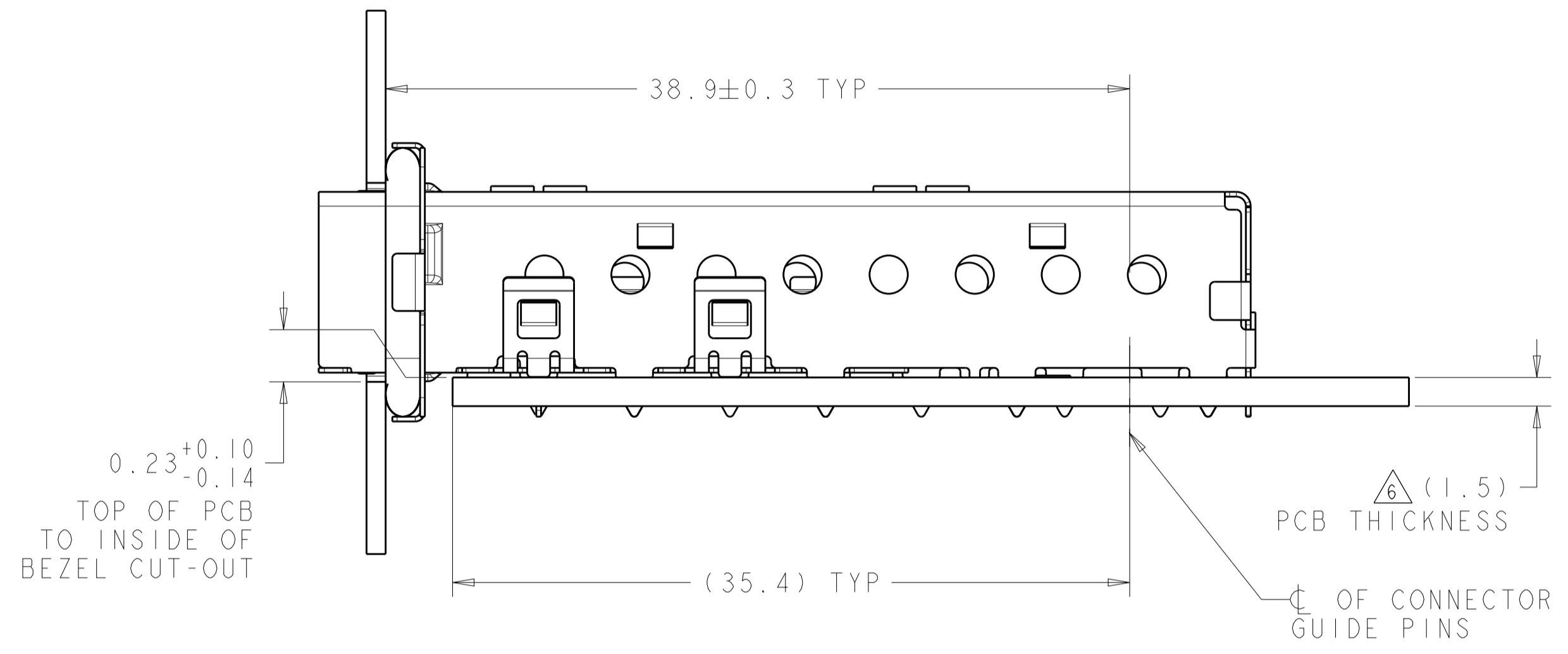
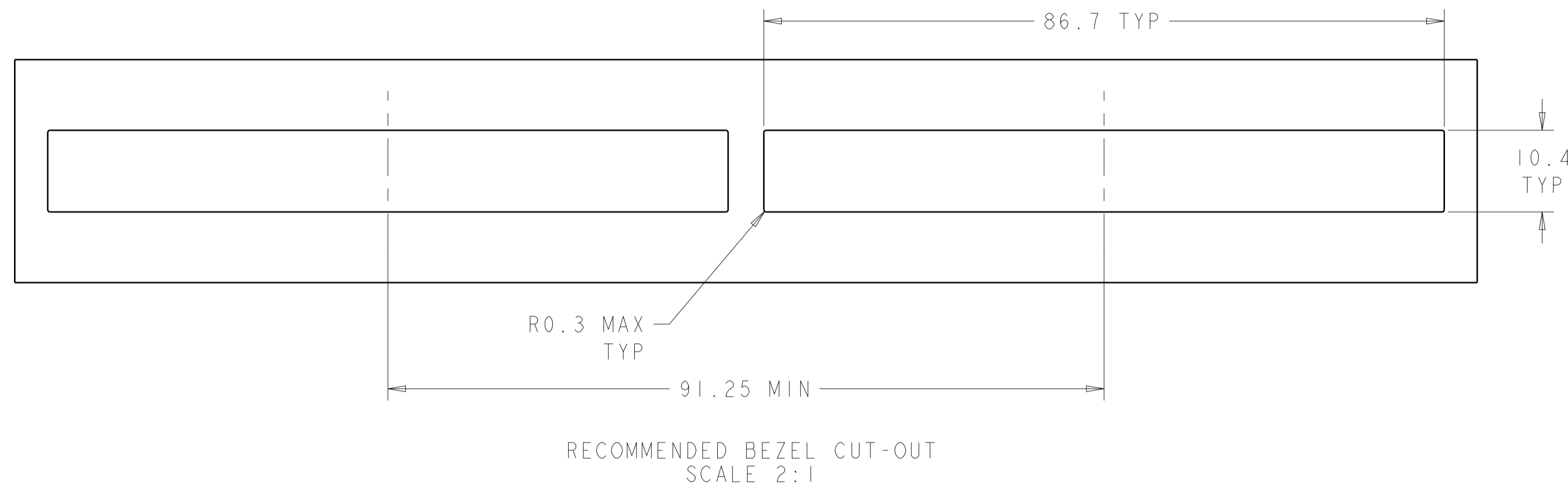


2007170-3
SCALE 4:1

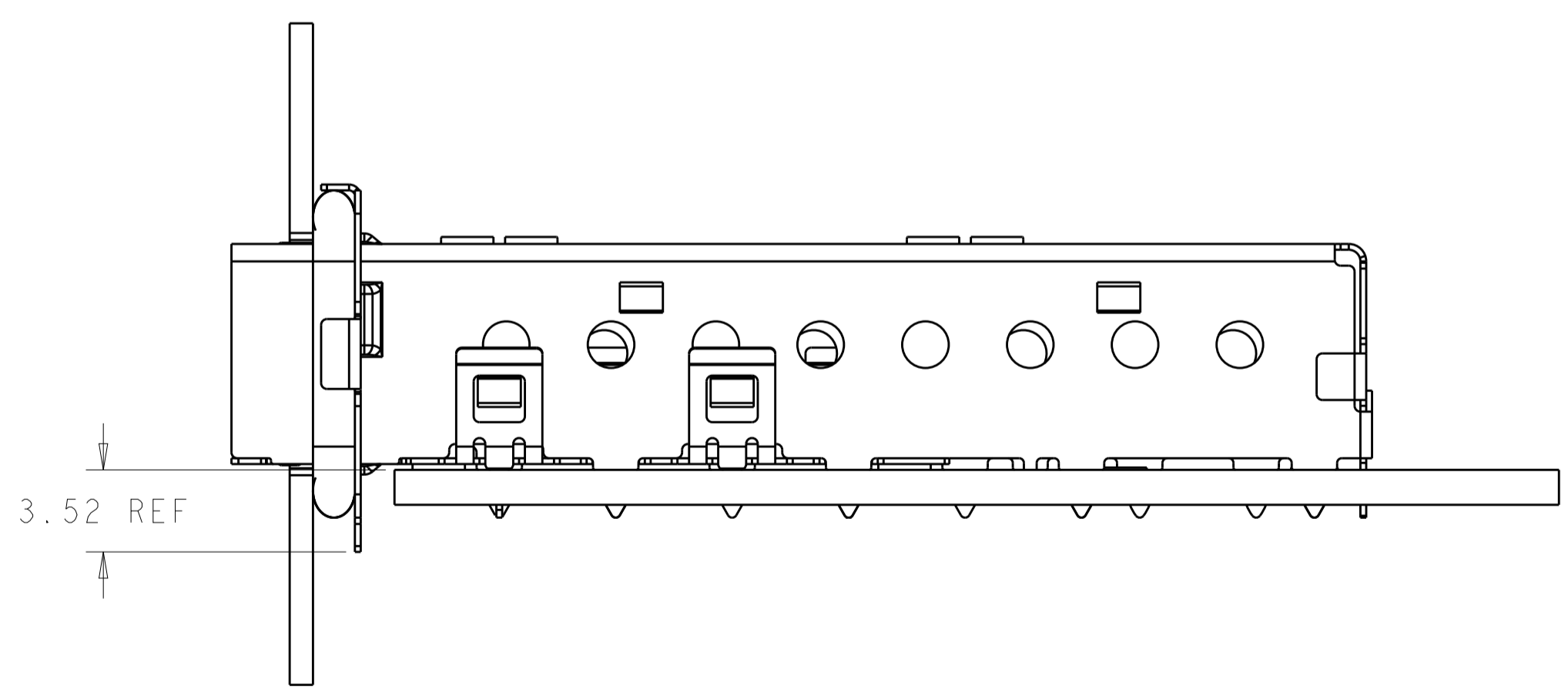
2007170-3
2007170-1
PART NUMBER

THIS DRAWING IS A CONTROLLED DOCUMENT.		DWN Z. M. BEAM 17JUL2007	TE Connectivity
DIMENSIONS:		CHK M. R. SCHMITT 17JUL2007	
mm	TOLERANCES UNLESS OTHERWISE SPECIFIED:	APVD R. H. WERTZ 17JUL2007	NAME
0 PLC ±0.1	1 PLC ±0.1	PRODUCT SPEC	SFP+ 1X6 CAGE ASSEMBLY
2 PLC ±0.1	3 PLC ±0.1	108-2364	PRESS FIT, EMI GASKET
4 PLC ±0.1	ANGLES ±0.1	APPLICATION SPEC	
FINISH		114-13120	SIZE
		WEIGHT	CAGE CODE
		Customer Drawing	DRAWING NO
			RESTRICTED TO
			A100779
			SCALE
			1:1
			SHEET
			1
			OF
			3
			REV
			D

LOC		DIST		REVISIONS			
P	LTN	DESCRIPTION	DATE	DMN	APVD		
-	-	SEE SHEET 1	-	-	-		



2007170-1
MOUNTED ON PC BOARD
SHOWN THRU RECOMMENDED BEZEL

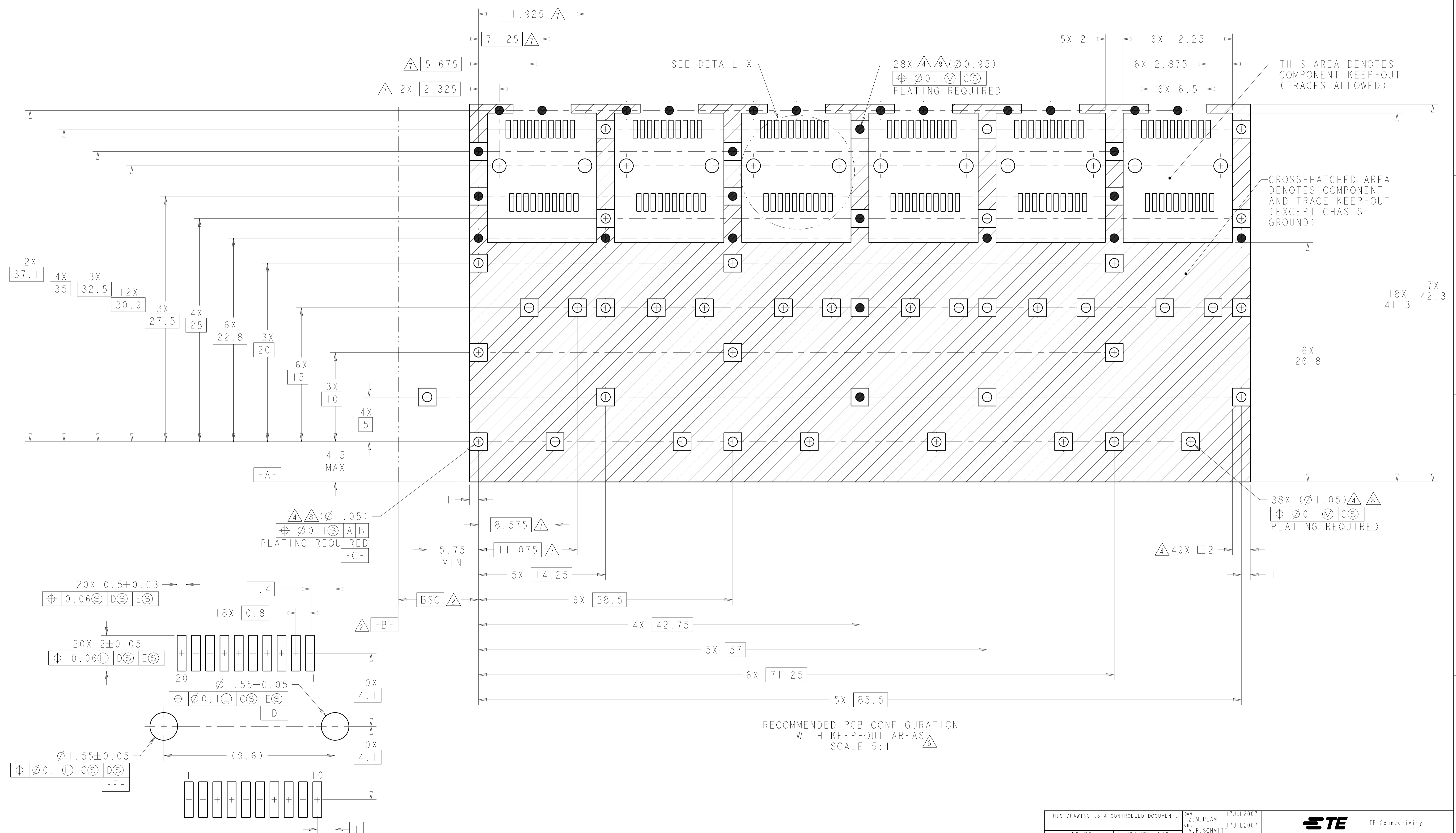


2007170-3
MOUNTED ON PC BOARD
SHOWN THRU RECOMMENDED BEZEL
SCALE 4:1

THIS DRAWING IS A CONTROLLED DOCUMENT.		DMN Z. M. BEAM 17JUL2007	TE Connectivity
DIMENSIONS: mm		CHK M. B. SCHMITT 17JUL2007	
TOLERANCES UNLESS OTHERWISE SPECIFIED:		APVD B. H. WERTZ 17JUL2007	NAME SFP+ 1X6 CAGE ASSEMBLY PRESS FIT, EMI GASKET
0 PLC ±0.1	1 PLC ±0.1	PRODUCT SPEC 108-2364	SIZE A100779
2 PLC ±0.1	3 PLC ±0.1	APPLICATION SPEC 114-13120	CAGE CODE C=2007170
4 PLC ±0.1	ANGLES ±1°	WEIGHT	RESTRICTED TO
MATERIAL	FINISH	Customer Drawing	SCALE 1:1 SHEET 2 OF 3 REV D

THIS DRAWING IS UNPUBLISHED.
RELEASED FOR PUBLICATION
COPYRIGHT 20 BY ALL RIGHTS RESERVED.

LOC		DIST		REVISIONS			
GP	00	P	LTM	DESCRIPTION	DATE	DWN	APVD
				SEE SHEET 1			



RECOMMENDED PCB CONFIGURATION
WITH KEEP-OUT AREAS
SCALE 5:1

DETAIL X
RECOMMENDED PT CONNECTOR LAYOUT
6X INDIVIDUALLY
SCALE 10:1

THIS DRAWING IS A CONTROLLED DOCUMENT.

DIMENSIONS:	mm	0 PLC ∅0.1	1 PLC ∅0.1	2 PLC ∅0.1	3 PLC ∅0.1	4 PLC ∅0.1	ANGLES ∅0.1	FINISH ±1 st
MATERIAL:		TOLERANCES UNLESS OTHERWISE SPECIFIED:		MATERIAL FINISH				

OWN	Z. M. BEAM	17JUL2007
CHK	M. B. SCHMITT	17JUL2007
APVD	B. H. WERTZ	17JUL2007
PRODUCT SPEC	108-2364	
APPLICATION SPEC	114-13120	
WEIGHT		
Customer Drawing		

TE Connectivity	
NAME	SFP+ 1X6 CAGE ASSEMBLY PRESS FIT, EMI GASKET
SIZE	A100779
CAGE CODE	C=2007170
DRAWING NO	
RESTRICTED TO	
SCALE	1:1
SHEET	3
OF	3
REV	D

X-ON Electronics

Largest Supplier of Electrical and Electronic Components

Click to view similar products for [I/O Connectors](#) category:

Click to view products by [TE Connectivity](#) manufacturer:

Other Similar products are found below :

[571763P](#) [72.250.1628.2](#) [72.250.2428.2](#) [74720-0505](#) [76.350.0729.0](#) [76871-1403](#) [FCN-244F080-G/1](#) [FCN-260A9920](#) [MP-5T180MUNNA-005](#)
[PCR-E36PM](#) [PCS-XE26MA+](#) [G38A71314B](#) [1571250010](#) [157-22500-3](#) [MS3471L14-19P L/C](#) [91-569786-35H](#) [172501-4002](#) [172501-6002](#)
[FCN-260C008-A/L0](#) [FCN-260C024-AL0](#) [FCN-261Z008](#) [2000314-1](#) [200331-1](#) [PCR-E36FC+](#) [PCS-E28FS+](#) [PCS-XE26SLFD+](#) [PCS-](#)
[XE26SLFDT+](#) [G730VID08BDC24](#) [U90B2054081210](#) [UE86K842720321](#) [38113800006](#) [DP3AR020WQ1R200](#) [Z4.102.0680.0](#) [500-1040](#)
[500-1052](#) [500-1054](#) [ZP-4008-66L](#) [0709821002](#) [10-565995-597N](#) [DX40-20P\(55\)](#) [5554841-1](#) [U90B3054061110](#) [U65-E04-4020](#)
[ZPF00000000097891](#) [557-262M2-06C](#) [747360449](#) [10099439-003C-TRLF](#) [10137239-0021LF](#) [E9320-001-01](#) [10137239-0011LF](#)