

4

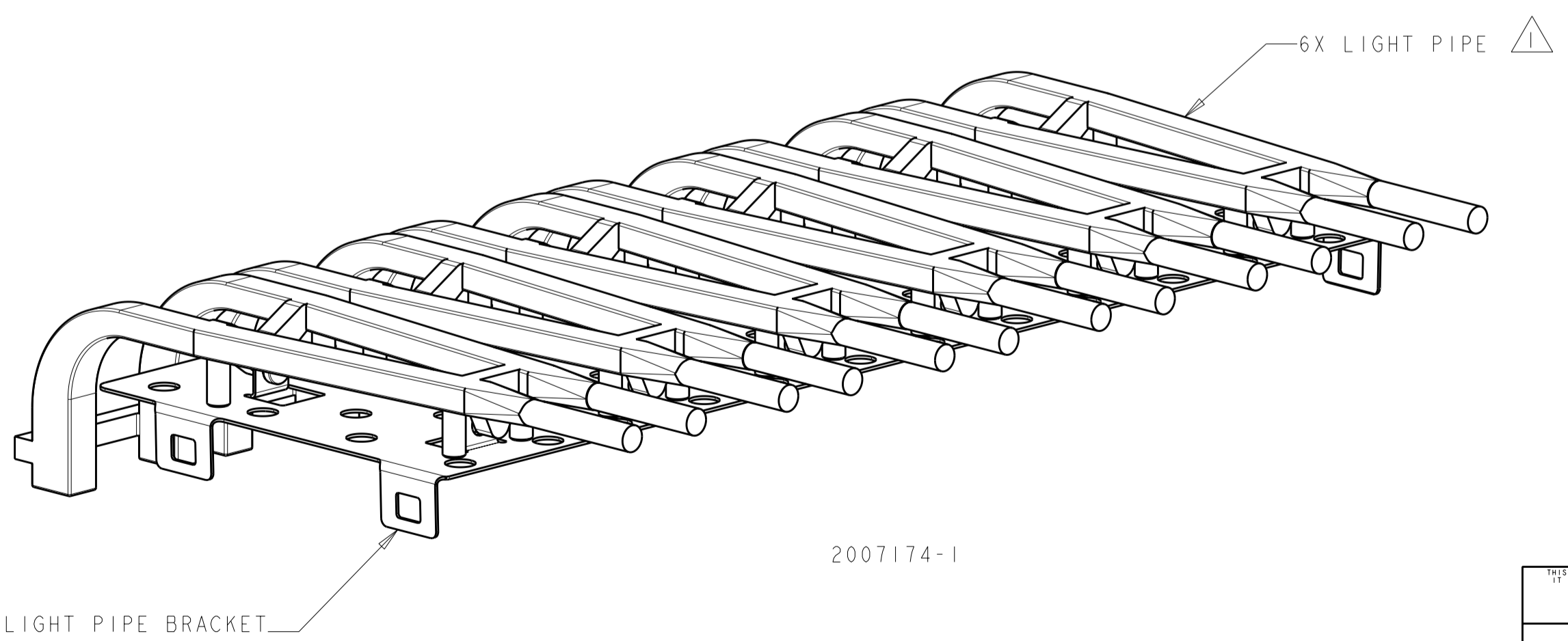
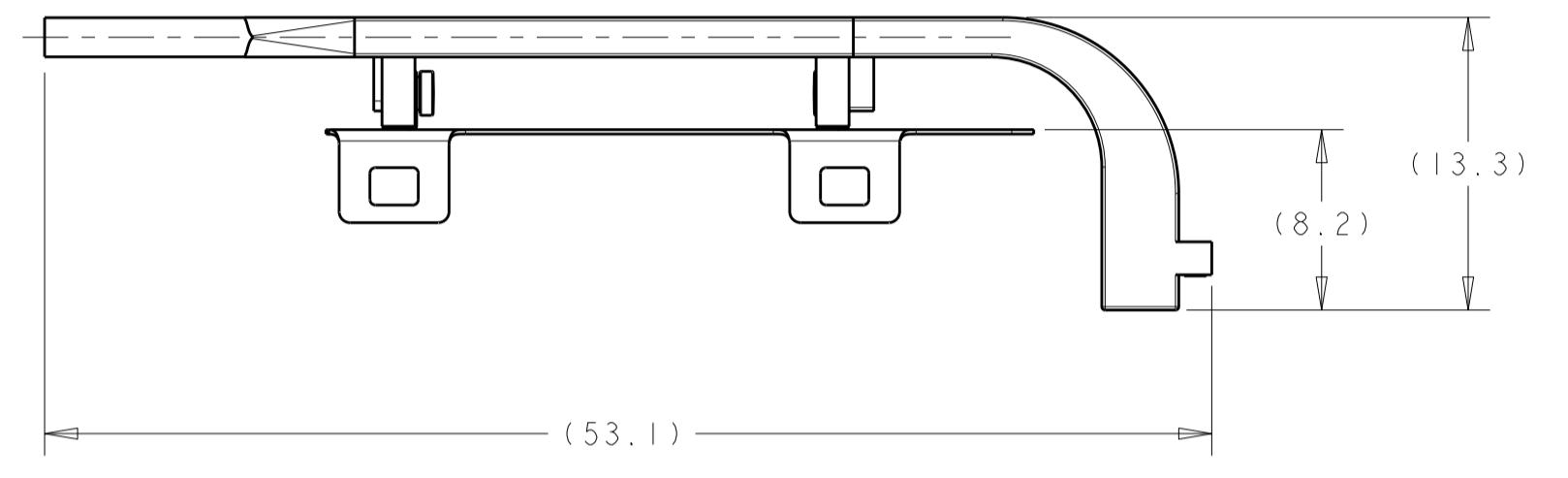
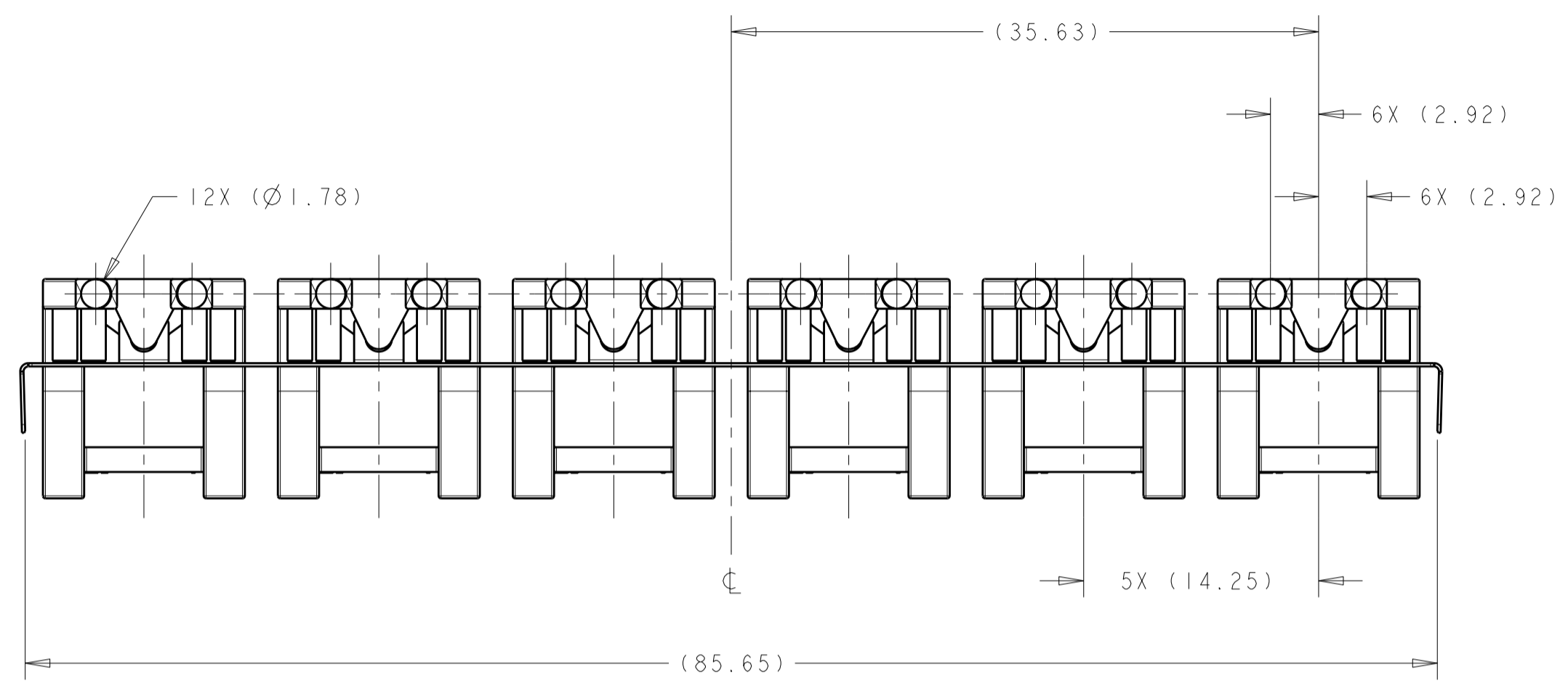
3

2

1

THIS DRAWING IS UNPUBLISHED. RELEASED FOR PUBLICATION 20
 © COPYRIGHT 20 BY TYCO ELECTRONICS CORPORATION. ALL RIGHTS RESERVED.

LOC		DIST		REVISIONS			
P	LTR	DESCRIPTION	DATE	DWN	APVD		
GP	00	A	RELEASED PER ECO-09-004191	23FEB2009	ZMR	MRS	
		B	REV PER ECO-10-020381	06OCT2010	JTL	MRS	



- 1 POLYCARBONATE, CLEAR, UL 94V-2.
- 2 STAINLESS STEEL PER ASTM A 666

2007174-1

2007174-1
 PART NUMBER

<small>THIS DRAWING IS A CONTROLLED DOCUMENT FOR TYCO ELECTRONICS CORPORATION. IT IS SUBJECT TO CHANGE AND THE CONTROLLING ENGINEERING ORGANIZATION SHOULD BE CONTACTED FOR THE LATEST REVISION.</small>		DWN M.E.COWHER 01 JUN 2007 CHK M.J.PHILLIPS 01 JUN 2007 APVD M.J.PHILLIPS 01 JUN 2007	Tyco Electronics Tyco Electronics Harrisburg, PA 17105-3608	
DIMENSIONS: mm	TOLERANCES UNLESS OTHERWISE SPECIFIED: 0 PLC ± 1 PLC ± 2 PLC ± 3 PLC ± 4 PLC ± ANGLES ± FINISH	PRODUCT SPEC 108-2364 APPLICATION SPEC - WEIGHT -	NAME IX6 LIGHT PIPE ASSEMBLY SFP+	
MATERIAL 1 2		CUSTOMER DRAWING	SIZE A200779	CAGE CODE C-2007174
SCALE 3:1			SHEET 1 OF 4	REV B

4

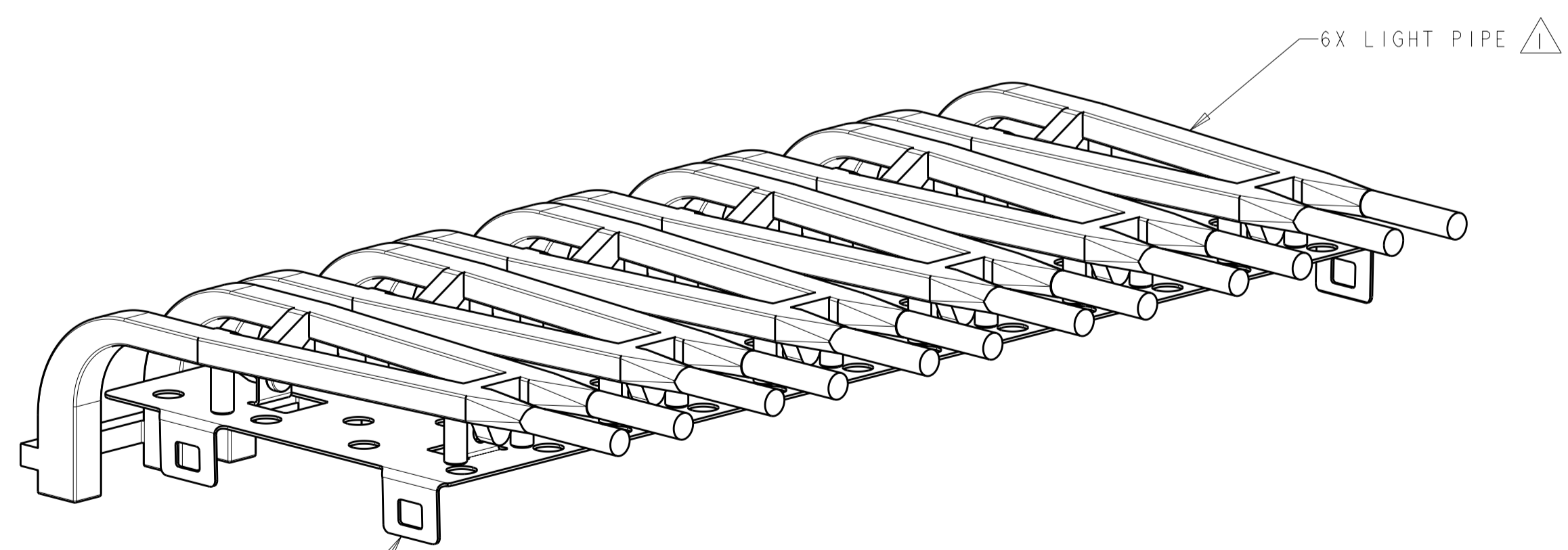
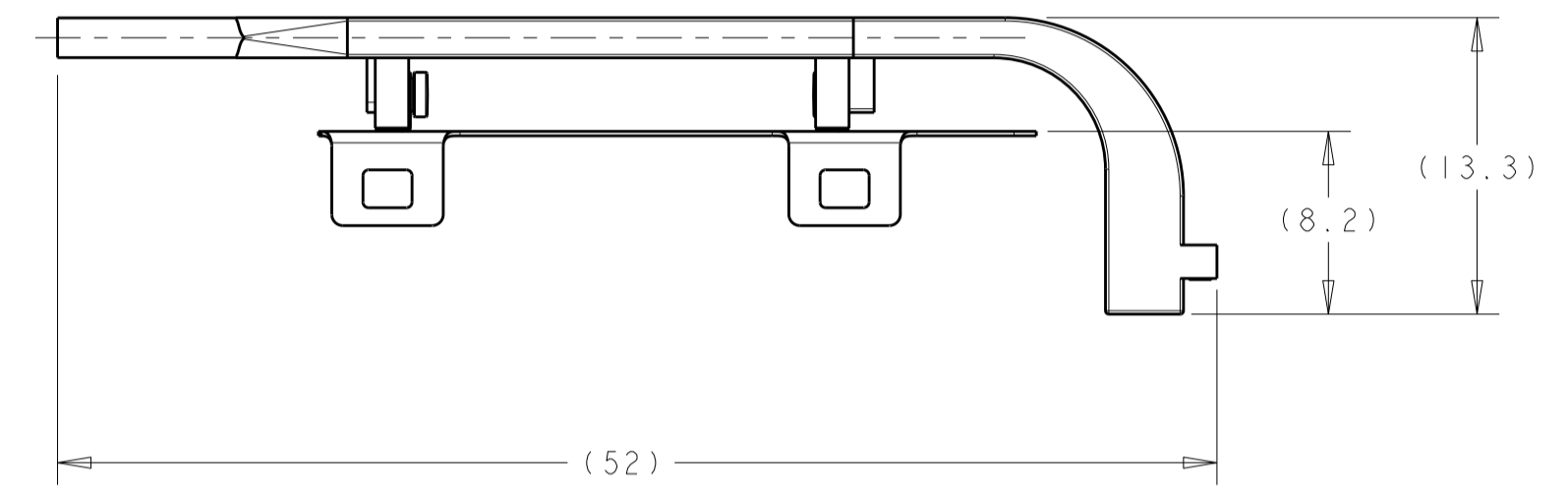
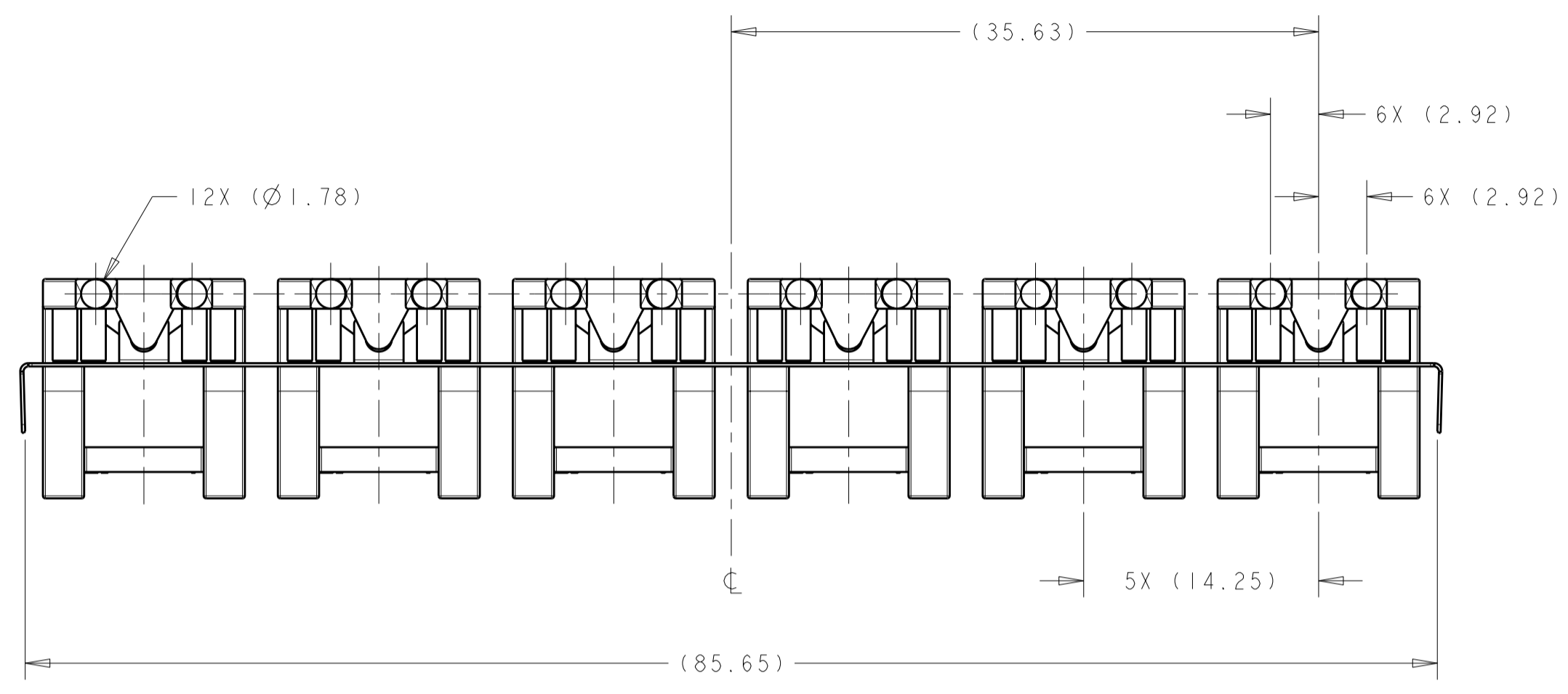
3

2

1

THIS DRAWING IS UNPUBLISHED. RELEASED FOR PUBLICATION 20
 © COPYRIGHT 20 BY TYCO ELECTRONICS CORPORATION. ALL RIGHTS RESERVED.

LOC	DIST	REVISIONS			
P	LTR	DESCRIPTION	DATE	DWN	APVD
GP	00	-	SEE SHEET 1	-	-



2007174-2

2007174-2
 PART NUMBER

1X6 LIGHT PIPE BRACKET

<small>THIS DRAWING IS A CONTROLLED DOCUMENT FOR TYCO ELECTRONICS CORPORATION. IT IS SUBJECT TO CHANGE AND THE CONTROLLING ENGINEERING ORGANIZATION SHOULD BE CONTACTED FOR THE LATEST REVISION.</small>		DWN M.E.COWHER 01 JUN 2007 CHK M.J.PHILLIPS 01 JUN 2007 APVD M.J.PHILLIPS 01 JUN 2007	Tyco Electronics Tyco Electronics Harrisburg, PA 17105-3608
DIMENSIONS: mm 	TOLERANCES UNLESS OTHERWISE SPECIFIED: 0 PLC ± 1 PLC ± 2 PLC ± 3 PLC ± 4 PLC ± ANGLES ± FINISH	PRODUCT SPEC 108-2364 APPLICATION SPEC - WEIGHT -	NAME 1X6 LIGHT PIPE ASSEMBLY SFP+ SIZE CAGE CODE DRAWING NO RESTRICTED TO A200779 C-2007174 -
MATERIAL 		CUSTOMER DRAWING SCALE 3:1 SHEET 2 OF 4 REV B	

4

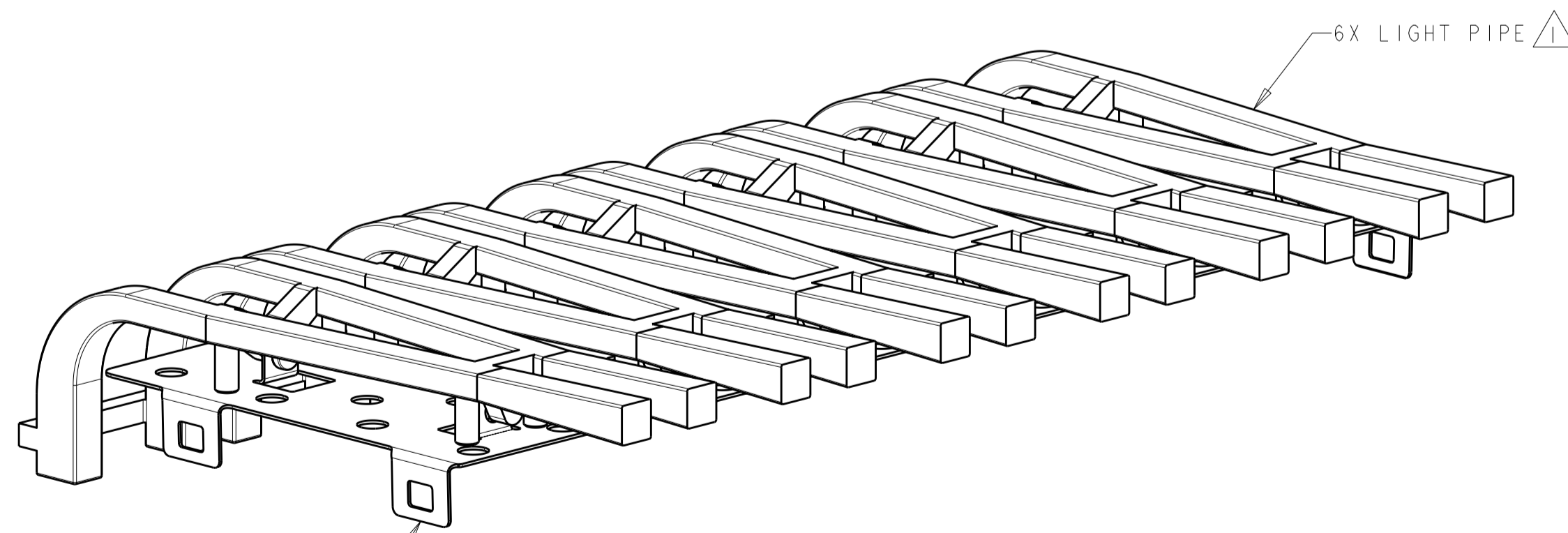
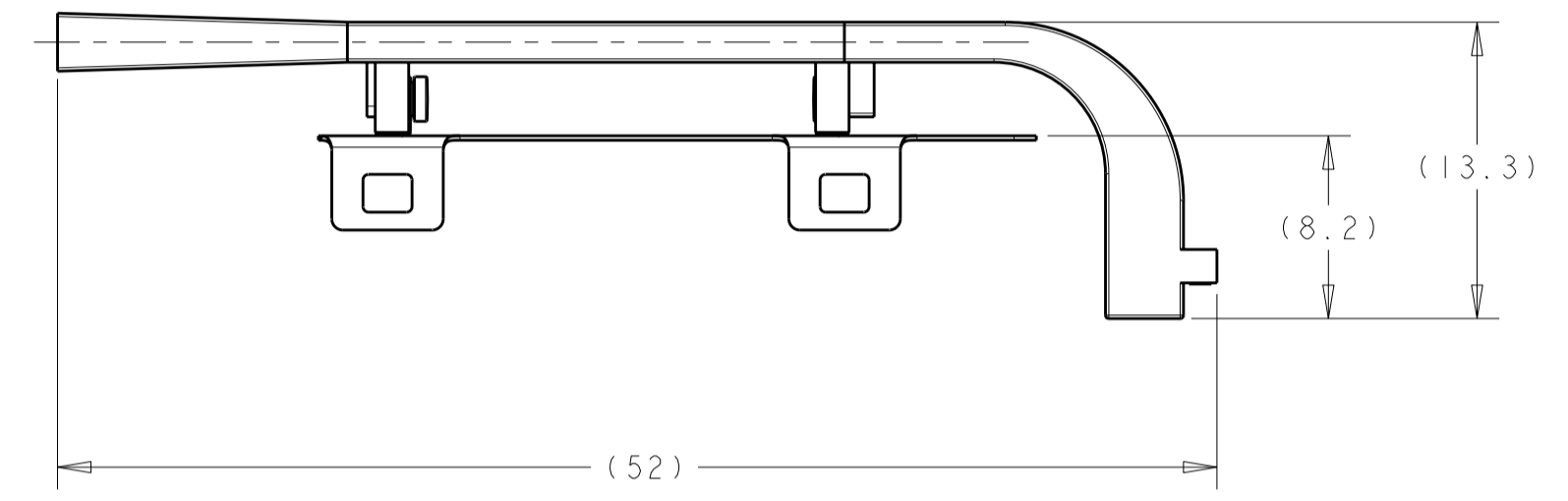
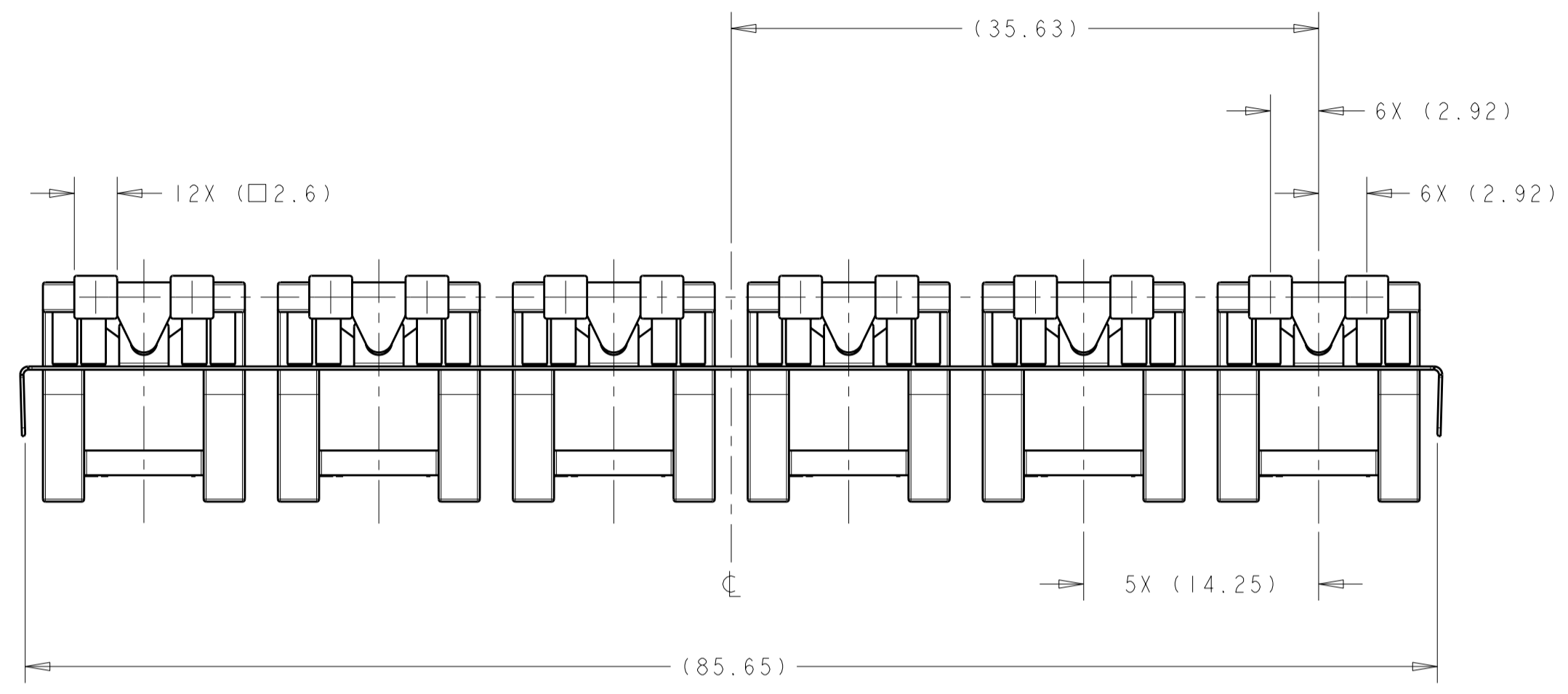
3

2

1

THIS DRAWING IS UNPUBLISHED. RELEASED FOR PUBLICATION 20
 © COPYRIGHT 20 BY TYCO ELECTRONICS CORPORATION. ALL RIGHTS RESERVED.

LOC	DIST	REVISIONS			
P	LTR	DESCRIPTION	DATE	DWN	APVD
GP	00	-	SEE SHEET 1	-	-



2007174-3
 PART NUMBER

2007174-3

1X6 LIGHT PIPE BRACKET

<small>THIS DRAWING IS A CONTROLLED DOCUMENT FOR TYCO ELECTRONICS CORPORATION. IT IS SUBJECT TO CHANGE AND THE CONTROLLING ENGINEERING ORGANIZATION SHOULD BE CONTACTED FOR THE LATEST REVISION.</small>		DWN M.E.COWHER 01 JUN 2007 CHK M.J.PHILLIPS 01 JUN 2007 APVD M.J.PHILLIPS 01 JUN 2007	Tyco Electronics Tyco Electronics Harrisburg, PA 17105-3608
DIMENSIONS: mm 	TOLERANCES UNLESS OTHERWISE SPECIFIED: 0 PLC ± 1 PLC ± 2 PLC ± 3 PLC ± 4 PLC ± ANGLES ± FINISH	PRODUCT SPEC 108-2364 APPLICATION SPEC - WEIGHT -	NAME 1X6 LIGHT PIPE ASSEMBLY SFP+ SIZE CAGE CODE DRAWING NO RESTRICTED TO A200779 C-2007174 -
MATERIAL 	CUSTOMER DRAWING	SCALE 3:1	SHEET 3 OF 4 REV B

4

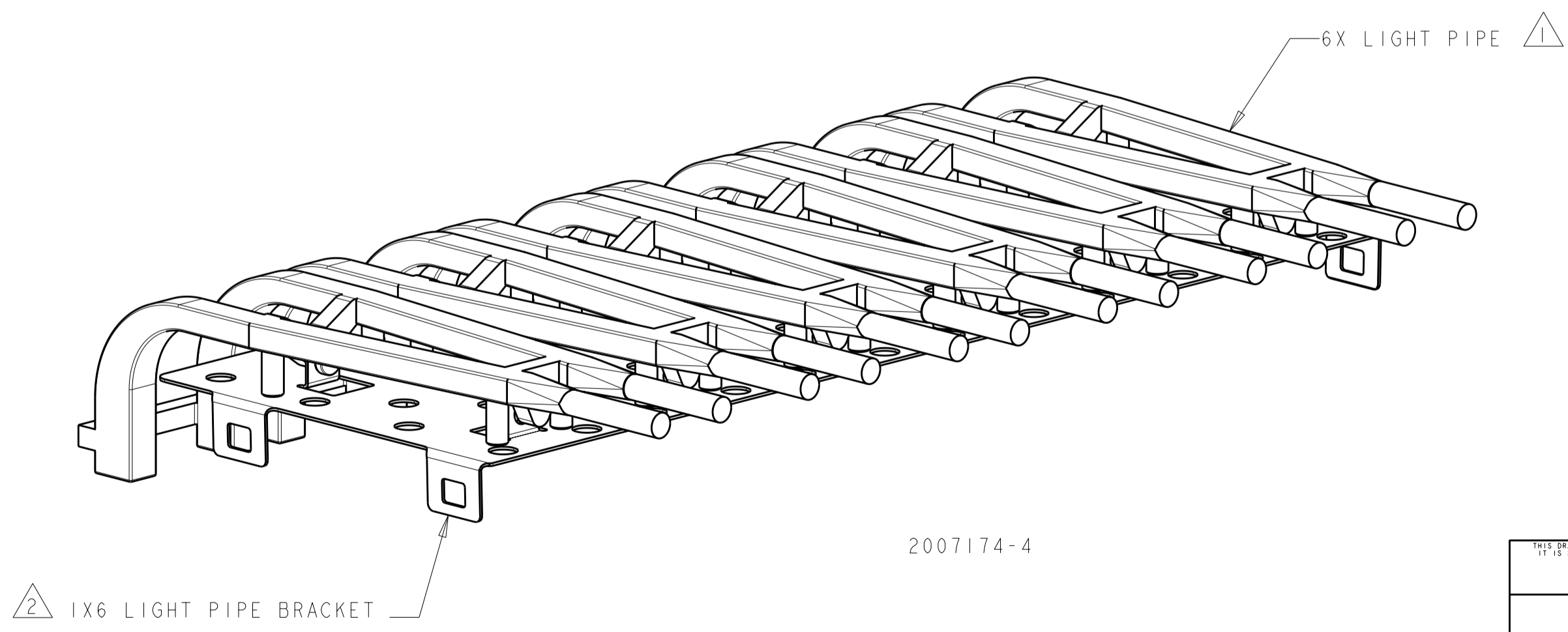
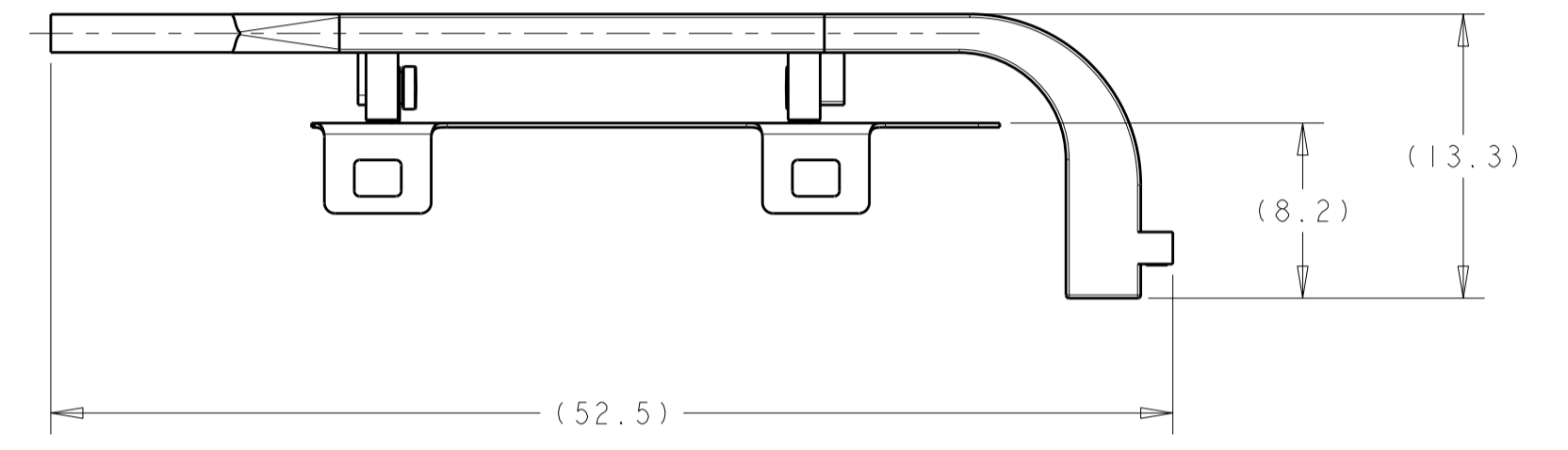
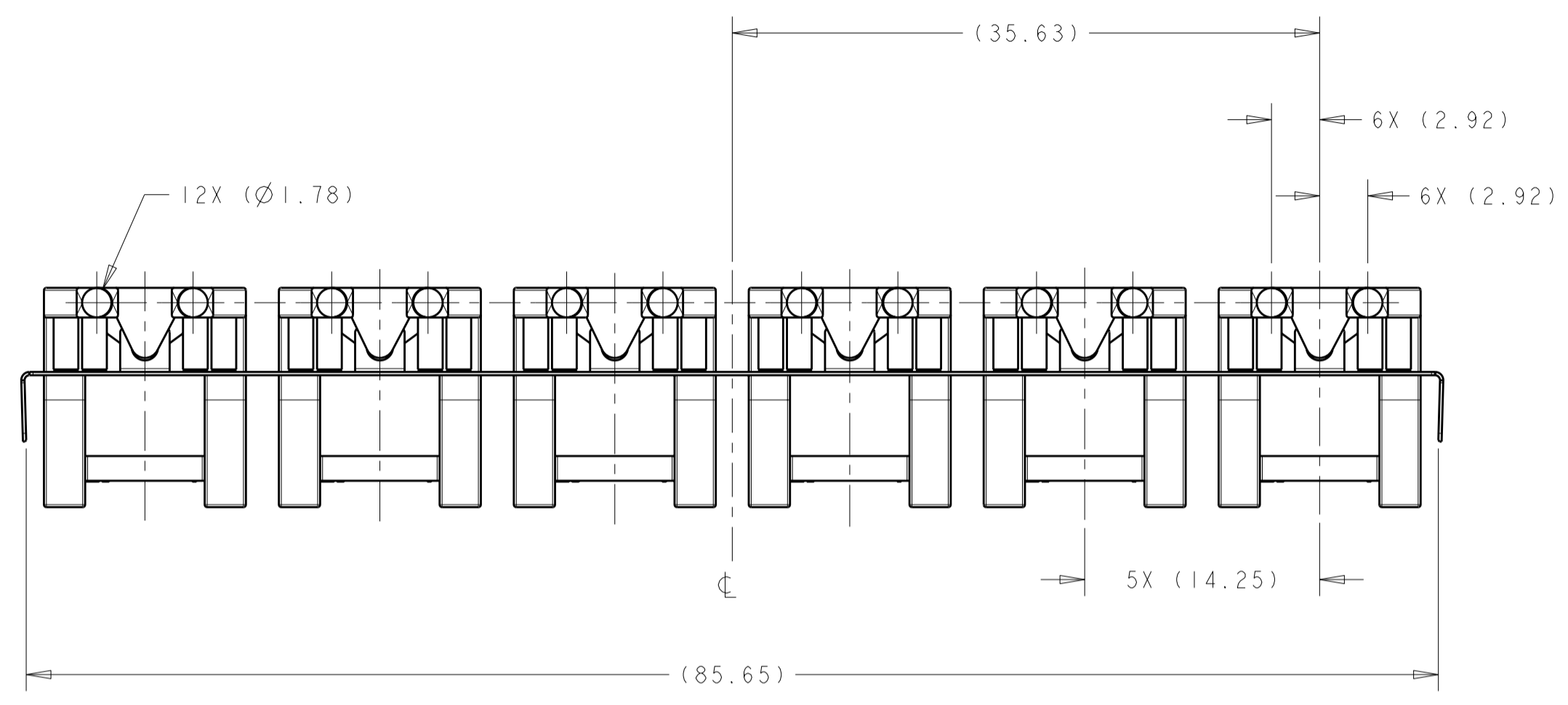
3

2

1

THIS DRAWING IS UNPUBLISHED. RELEASED FOR PUBLICATION 20
 © COPYRIGHT 20 BY TYCO ELECTRONICS CORPORATION. ALL RIGHTS RESERVED.

LOC	DIST	REVISIONS			
P	LTR	DESCRIPTION	DATE	DWN	APVD
GP	00	-	SEE SHEET 1	-	-



2007174-4

2007174-4
 PART NUMBER

<small>THIS DRAWING IS A CONTROLLED DOCUMENT FOR TYCO ELECTRONICS CORPORATION. IT IS SUBJECT TO CHANGE AND THE CONTROLLING ENGINEERING ORGANIZATION SHOULD BE CONTACTED FOR THE LATEST REVISION.</small>		DWN M.E.COWHER 01 JUN 2007 CHK M.J.PHILLIPS 01 JUN 2007 APVD M.J.PHILLIPS 01 JUN 2007	Tyco Electronics Tyco Electronics Harrisburg, PA 17105-3608
DIMENSIONS: mm 	TOLERANCES UNLESS OTHERWISE SPECIFIED: 0 PLC ± 1 PLC ± 2 PLC ± 3 PLC ± 4 PLC ± ANGLES ± FINISH	PRODUCT SPEC 108-2364 APPLICATION SPEC - WEIGHT -	NAME 1X6 LIGHT PIPE ASSEMBLY SFP+ SIZE CAGE CODE DRAWING NO RESTRICTED TO A200779 C-2007174 -
MATERIAL 		CUSTOMER DRAWING	SCALE 3:1 SHEET 4 OF 4 REV B

X-ON Electronics

Largest Supplier of Electrical and Electronic Components

Click to view similar products for [LED Light Pipes](#) category:

Click to view products by [TE Connectivity](#) manufacturer:

Other Similar products are found below :

[1367627-1](#) [SLP3-300-450-F](#) [SLP3-400-450-R](#) [LPA-C011301S-6](#) [LPF-C011306S](#) [FLP25-1.95](#) [VLP-640-F](#) [LPA-C011301S-5.4](#) [LPA-C041301S-2](#) [LPA-R051171S-12](#) [LPA-S011331S](#) [515-1027-803F](#) [515-1217F](#) [SLP3-150-300-R](#) [SLP3-500-450-R](#) [515-1064-810F](#) [FLPV-SG](#) [BDL-1187](#) [7511A41](#) [7511A87-500](#) [FLPV-SBC](#) [5151064802F](#) [5151-192-0055-0DF](#) [LPF-R011340S](#) [515-1166-801F](#) [FLPF-6.0](#) [PM4-C1522-3.70](#) [LC-11.25](#) [CLP-1214](#) [515-1064-808F](#) [FLX3_05](#) [515-1192-0025-0DF](#) [HS LC-H-D2/R2XC1-2 54](#) [515-1192-80-3DF](#) [1282.2600](#) [1296.2004](#) [PBLP-1001-1](#) [SZ1-10.00-A220-F4P54](#) [SZ1-10.00-A220-F4P](#) [LC2-4.1](#) [1296.7042](#) [SF4-2.5-F5P](#) [PLP5-2-625-54](#) [FLP25-13.5](#) [1271.2002](#) [1272.0030](#) [1276.2004](#) [1281.1001-8MM](#) [1282.1300](#) [1296.1034](#)