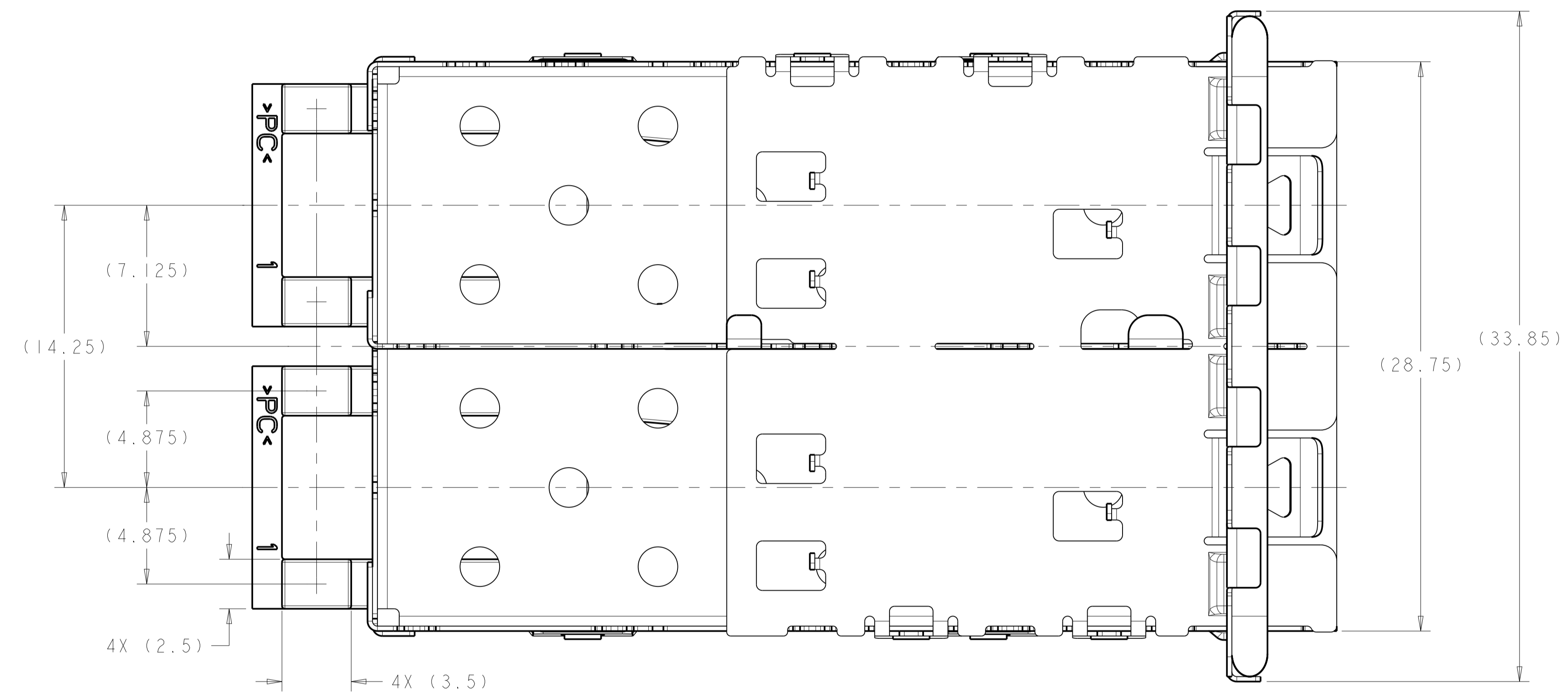
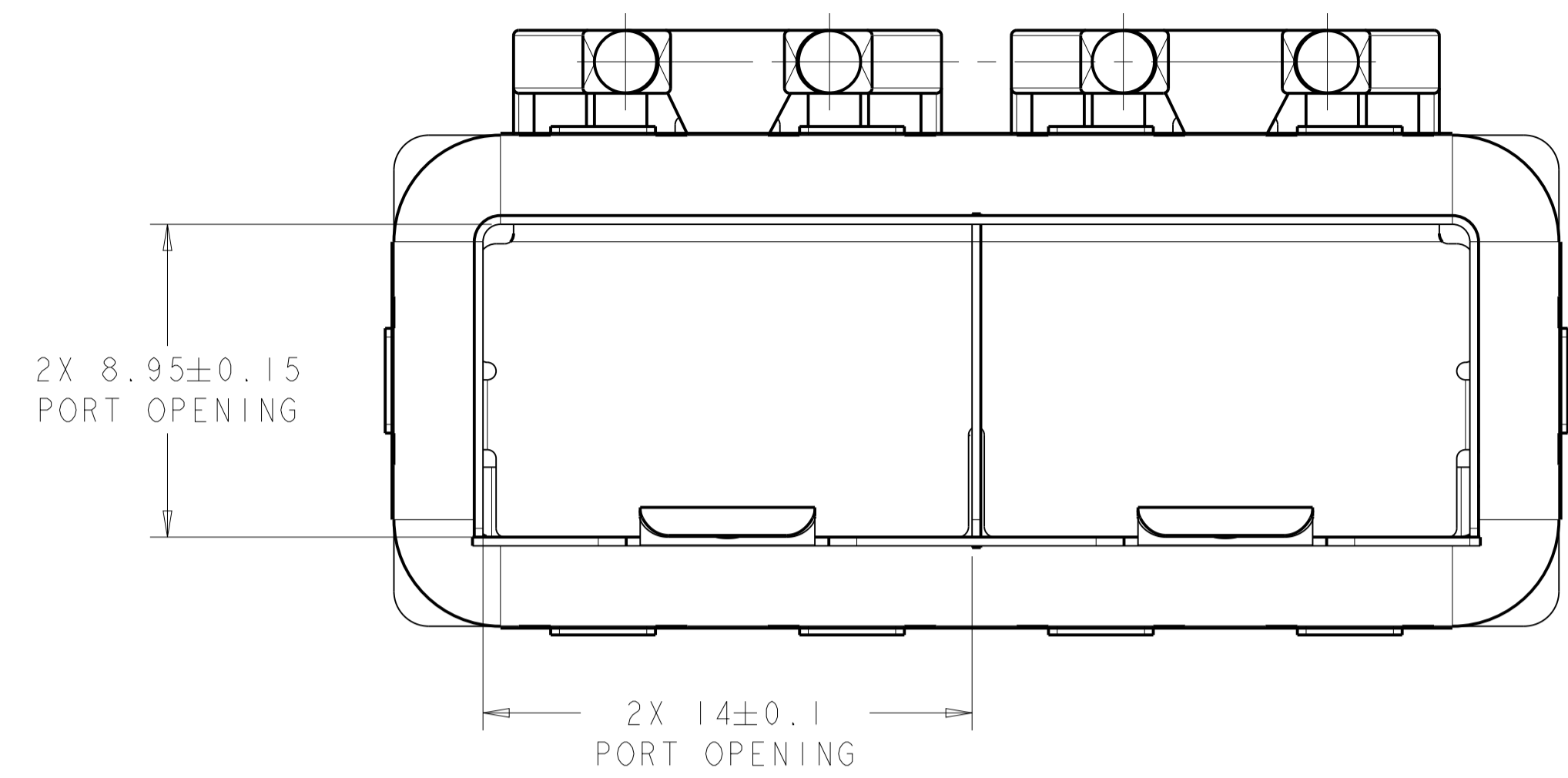
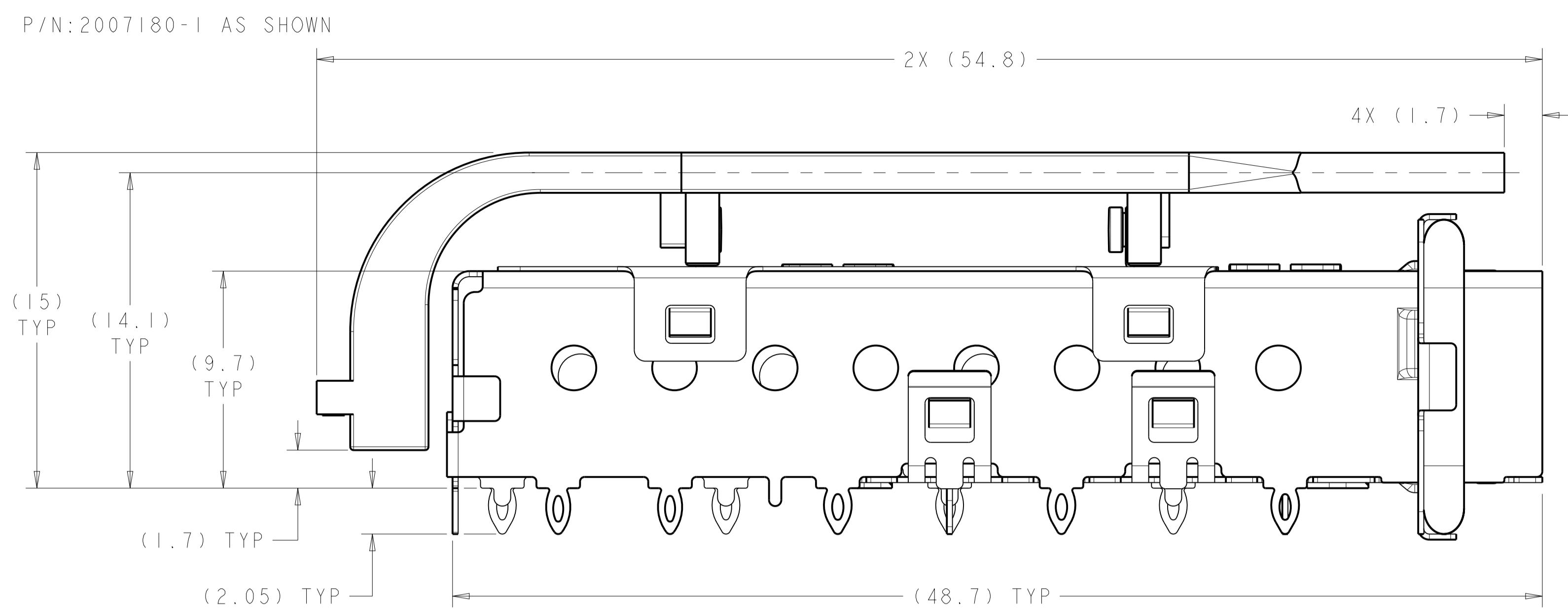
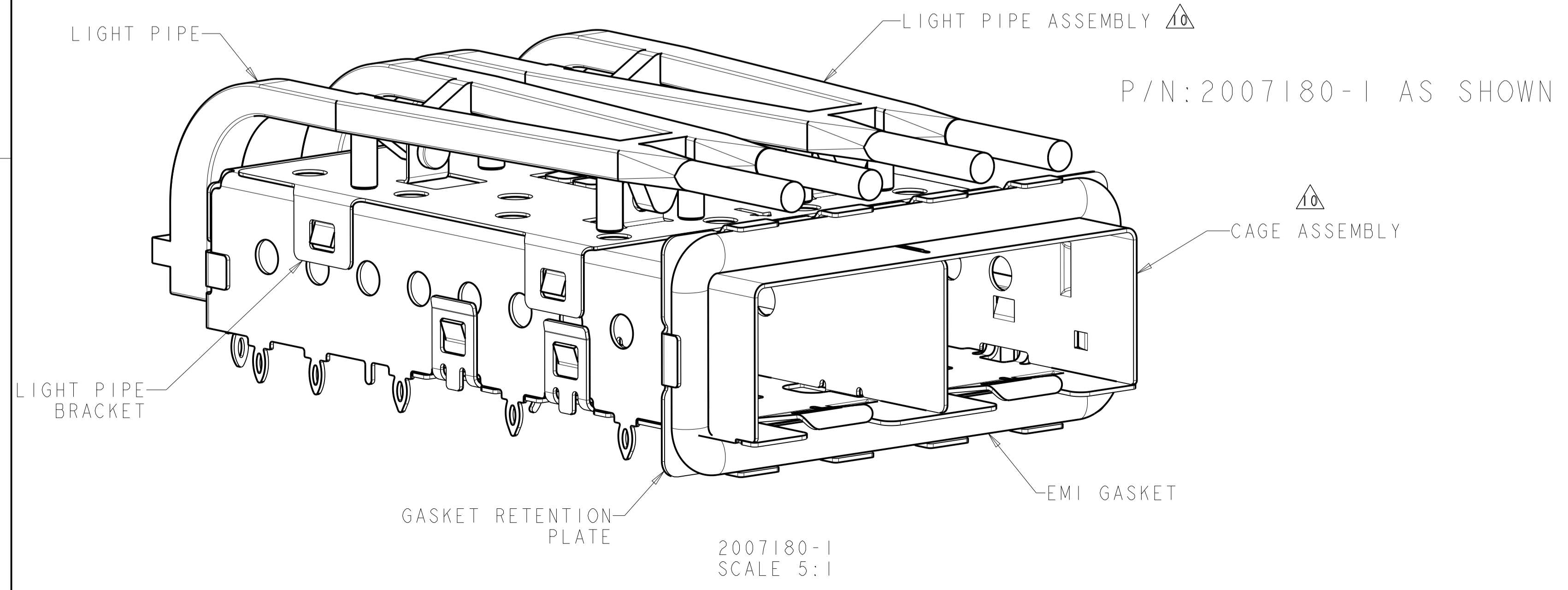


LOC	DIST	REVISIONS			
P	LTN	DESCRIPTION	DATE	OWN	APVD
C1		REVISED PER ECO-11-004835	11MAR2011	RK	HMR
D		REVISED PER ECO-12-014021	07DEC2012	TD	AC
D1		ADD REDUCED LENGTH TYPE LIGHT PIPE	17MAR2014	PP	SH



- △ MATERIAL:
CAGE ASSEMBLY - 0.25mm THICK NICKEL SILVER ALLOY
GASKET RETENTION PLATE - STAINLESS STEEL
EMI GASKET - PLATED FILLED SILICONE
LIGHT PIPE BRACKET - STAINLESS STEEL
LIGHT PIPE - POLYCARBONATE, CLEAR
- △ DATUM AND BASIC DIMENSION ESTABLISHED BY CUSTOMER.
- 3. MATES WITH SFP MSA COMPLIANT TRANSCEIVERS.
- △ PADS AND VIAS CHASSIS GROUND.
- 5. INTERPRETATION OF DATUM REFERENCE FRAME IN ACCORDANCE WITH SECT 4.4.1.1 OF ASME Y14.5M-1994.
- △ MINIMUM PC BOARD THICKNESS = 1.50mm.
- △ HOLE PATTERN REPEATS FOR EACH PORT. SPACING BETWEEN PORTS IS 14.25mm.
- △ REFERENCE APPLICATION SPEC. 114-13120, HOLE A, FOR RECOMMENDED DRILL HOLE DIAMETER AND PLATING THICKNESS.
- △ REFERENCE APPLICATION SPEC. 114-13120, HOLE B, FOR RECOMMENDED DRILL HOLE DIAMETER AND PLATING THICKNESS.
- △ LIGHT PIPE ASSEMBLY SHIPPED UNASSEMBLED TO CAGE ASSEMBLY. CAGE ASSEMBLY TO BE PRESSED INTO THE PCB PRIOR TO ATTACHING THE LIGHT PIPE ASSEMBLY TO THE CAGE.
- 11. PRODUCT COMPLIES WITH SPECIFICATION SFF-8433 IMPROVED PLUGGABLE FORM FACTOR FOR SFP+ GANGED CAGES.



51.30	2007180-2
53.10	2007180-1
LIGHT PIPE LENGTH	PART NUMBER

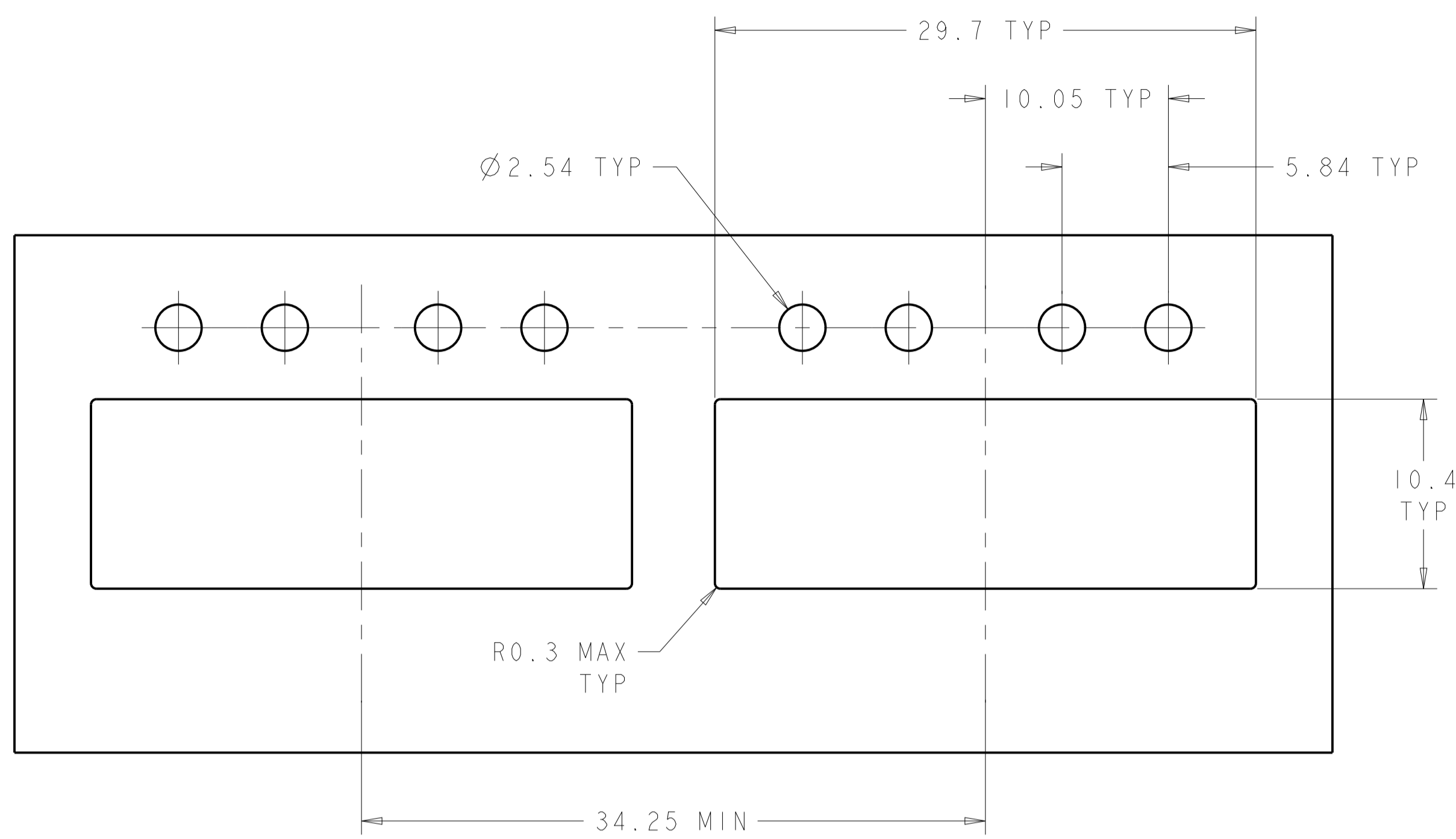
THIS DRAWING IS A CONTROLLED DOCUMENT.

DIMENSIONS: mm 	TOLERANCES UNLESS OTHERWISE SPECIFIED: 0 PLC ±0.1 1 PLC ±0.1 2 PLC ±0.1 3 PLC ±0.1 4 PLC ±0.1 ANGLES ±1° FINISH	DWG: M.E. COWHER 14JUN2007 CHK: M.J. PHILLIPS 14JUN2007 APVD: M.J. PHILLIPS 14JUN2007 PRODUCT SPEC: 108-2364 APPLICATION SPEC: 114-13120 WEIGHT: - Customer Drawing	NAME: SFP+ 1X2 CAGE ASSEMBLY PRESS FIT, EMI GASKET WITH LIGHT PIPES SIZE: A1 CAGE CODE: 00779 DRAWING NO: C=2007180 RESTRICTED TO: - SCALE: 6:1 SHEET: 1 OF 3 REV: D1
-----------------------	--	---	--

TE Connectivity

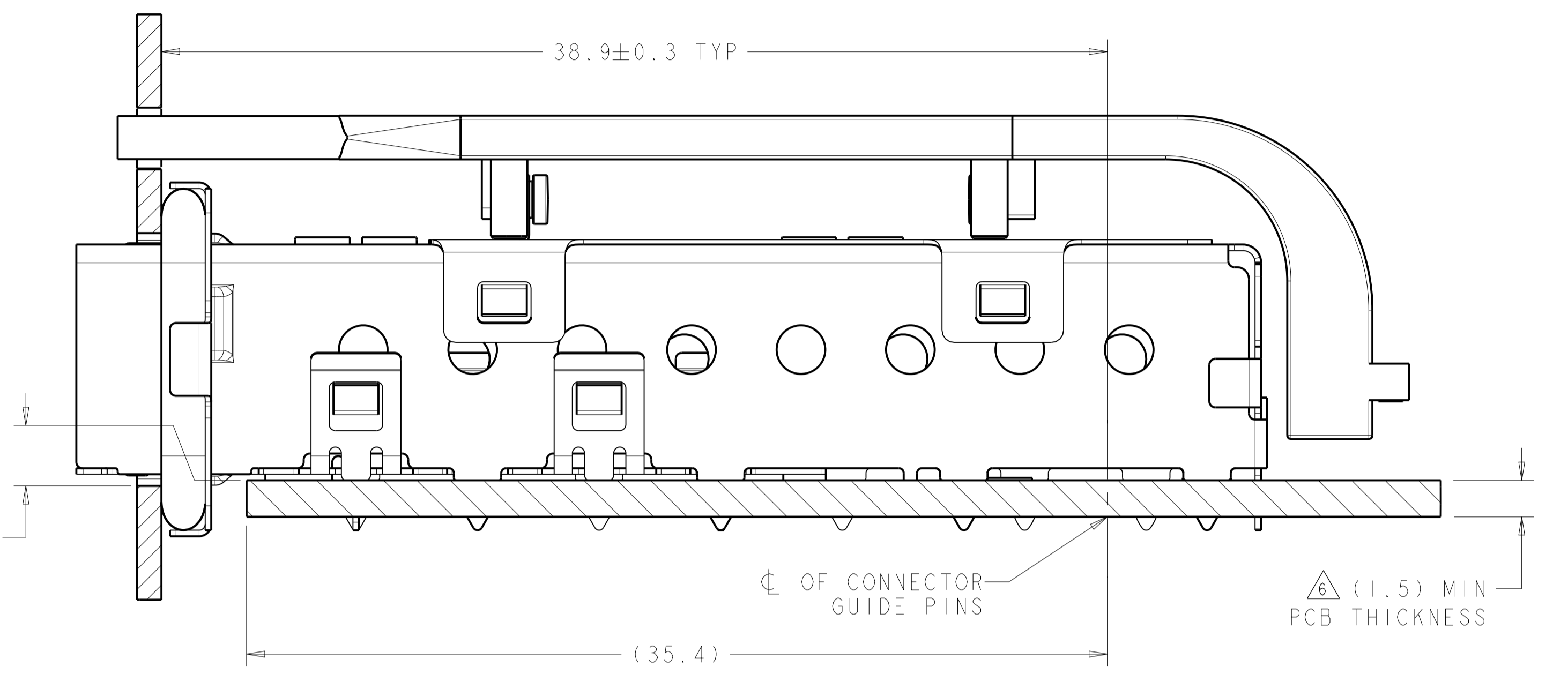
LOC	DIST	REV	DATE	BY	APPV
GP	00				

REVISIONS			
REV	DATE	BY	APPV
-	-	-	-
SEE SHEET 1			

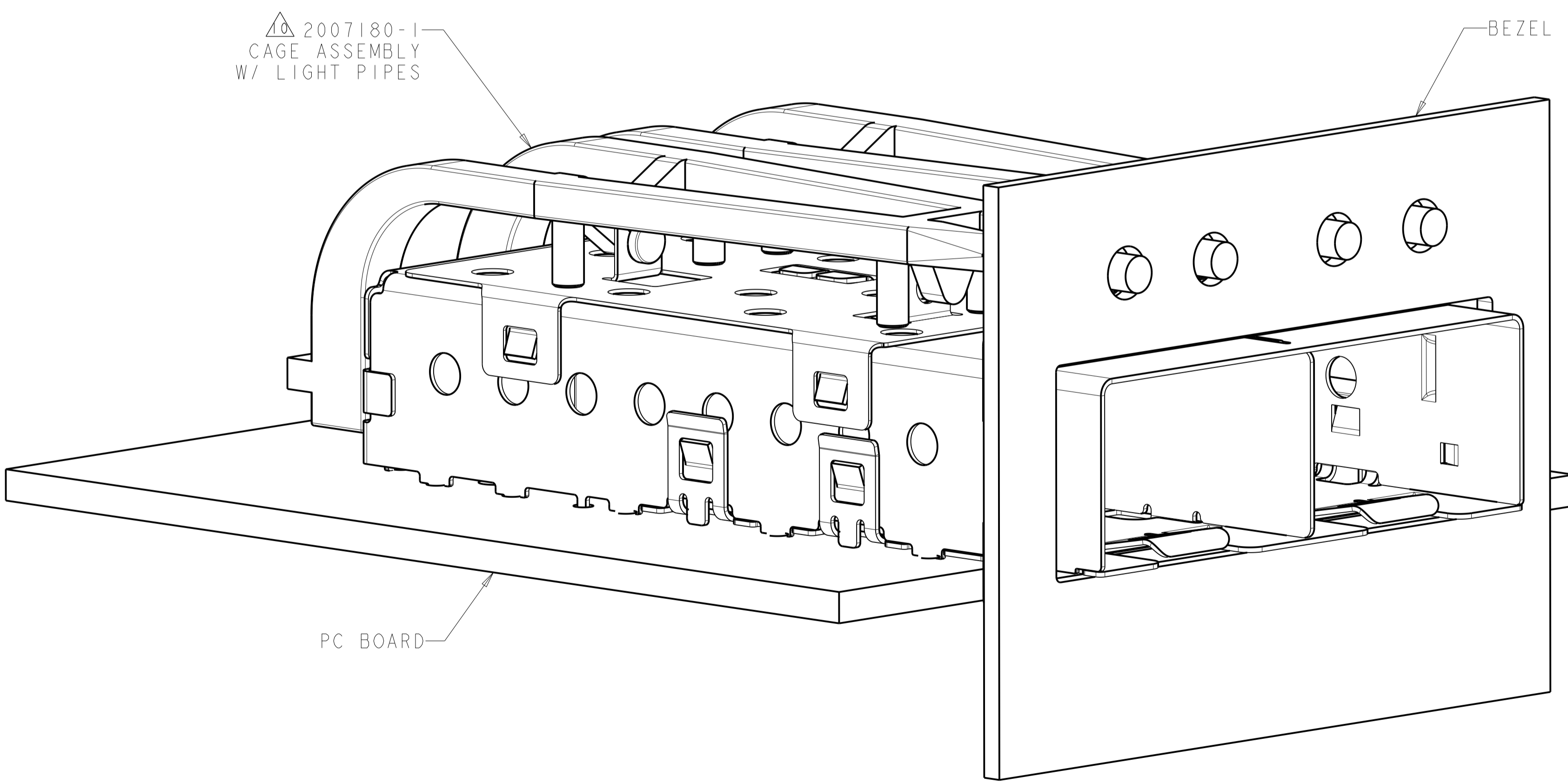


RECOMMENDED BEZEL CUTOUT
SCALE 4:1

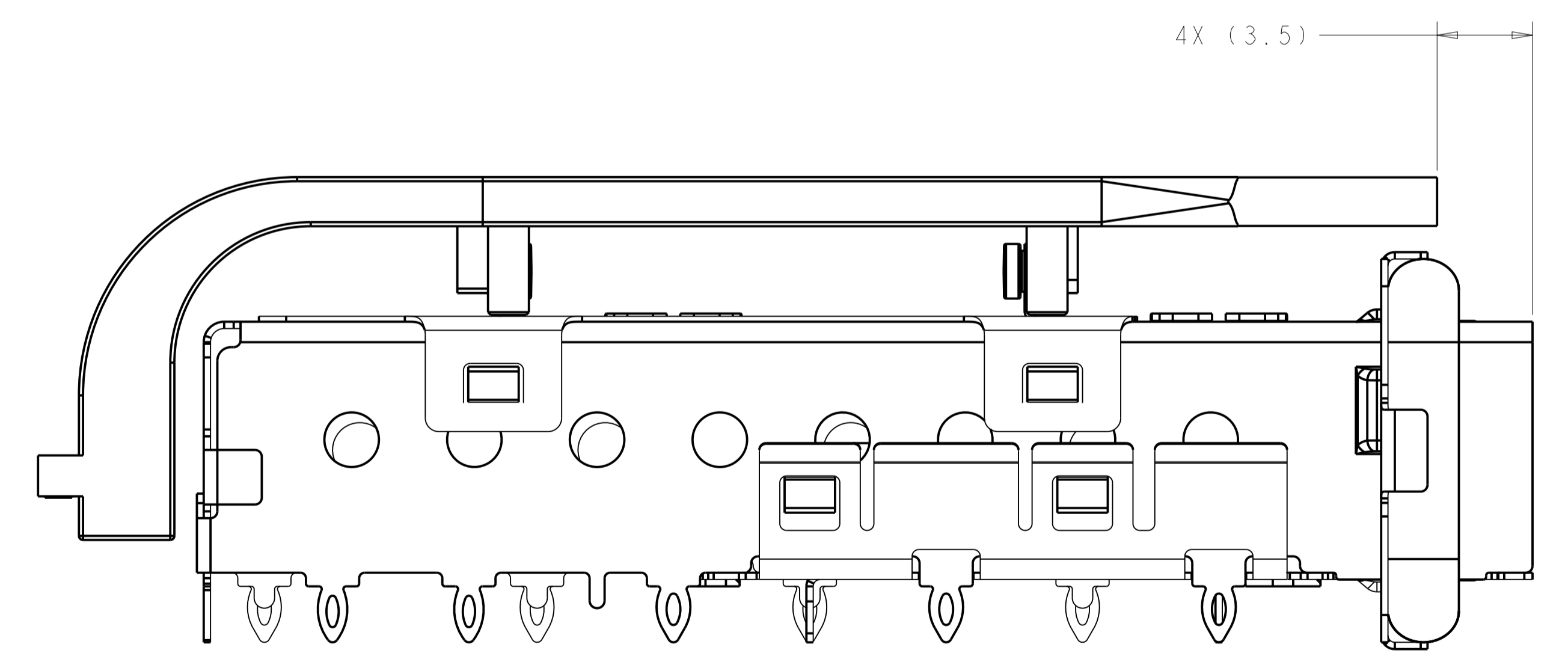
0.23^{+0.10}_{-0.14}
TOP OF PCB
TO INSIDE OF
BEZEL CUT-OUT



2007180-1
MOUNTED ON PCB SHOWN
THRU RECOMMENDED BEZEL



2007180-1
MOUNTED ON PCB
SHOWN THRU RECOMMENDED BEZEL



P/N: 2007180-2 AS SHOWN
UNSPECIFIED DIMENSIONS REFER TO PN 2007180-1

THIS DRAWING IS A CONTROLLED DOCUMENT.		OWN: M.E. COWHER 14JUN2007	TE Connectivity
DIMENSIONS: mm		CHK: M.J. PHILLIPS 14JUN2007	
TOLERANCES UNLESS OTHERWISE SPECIFIED:		APVD: M.J. PHILLIPS 14JUN2007	NAME: SFP+ 1X2 CAGE ASSEMBLY PRESS FIT, EMI GASKET WITH LIGHT PIPES
0 PLC	±0.1	PRODUCT SPEC	SIZE: CAGE CODE DRAWING NO
1 PLC	±0.1	108-2364	A100779C=2007180
2 PLC	±0.1	APPLICATION SPEC	RESTRICTED TO
3 PLC	±0.1	114-13120	SCALE: 6:1 SHEET 2 OF 3 REV: D1
4 PLC	±0.1	WEIGHT	
ANGLES	±1°	Customer Drawing	
MATERIAL	FINISH		

X-ON Electronics

Largest Supplier of Electrical and Electronic Components

Click to view similar products for [I/O Connectors](#) category:

Click to view products by [TE Connectivity](#) manufacturer:

Other Similar products are found below :

[571763P](#) [72.250.1628.2](#) [72.250.2428.2](#) [74720-0505](#) [76.350.0729.0](#) [76871-1403](#) [FCN-244F080-G/1](#) [FCN-260A9920](#) [MP-5T180MUNNA-005](#)
[PCR-E36PM](#) [PCS-XE26MA+](#) [G38A71314B](#) [1571250010](#) [157-22500-3](#) [MS3471L14-19P L/C](#) [91-569786-35H](#) [172501-4002](#) [172501-6002](#)
[FCN-260C008-A/L0](#) [FCN-260C024-AL0](#) [FCN-261Z008](#) [2000314-1](#) [200331-1](#) [PCR-E36FC+](#) [PCS-E28FS+](#) [PCS-XE26SLFD+](#) [PCS-](#)
[XE26SLFDT+](#) [G730VID08BDC24](#) [U90B2054081210](#) [UE86K842720321](#) [38113800006](#) [DP3AR020WQ1R200](#) [Z4.102.0680.0](#) [500-1040](#)
[500-1052](#) [500-1054](#) [ZP-4008-66L](#) [0709821002](#) [10-565995-597N](#) [DX40-20P\(55\)](#) [5554841-1](#) [MS3474W18-8P-LC*](#) [U90B3054061110](#) [U65-](#)
[E04-4020](#) [ZPF000000000097891](#) [557-262M2-06C](#) [747360449](#) [10099439-003C-TRLF](#) [10137239-0021LF](#) [E9320-001-01](#)