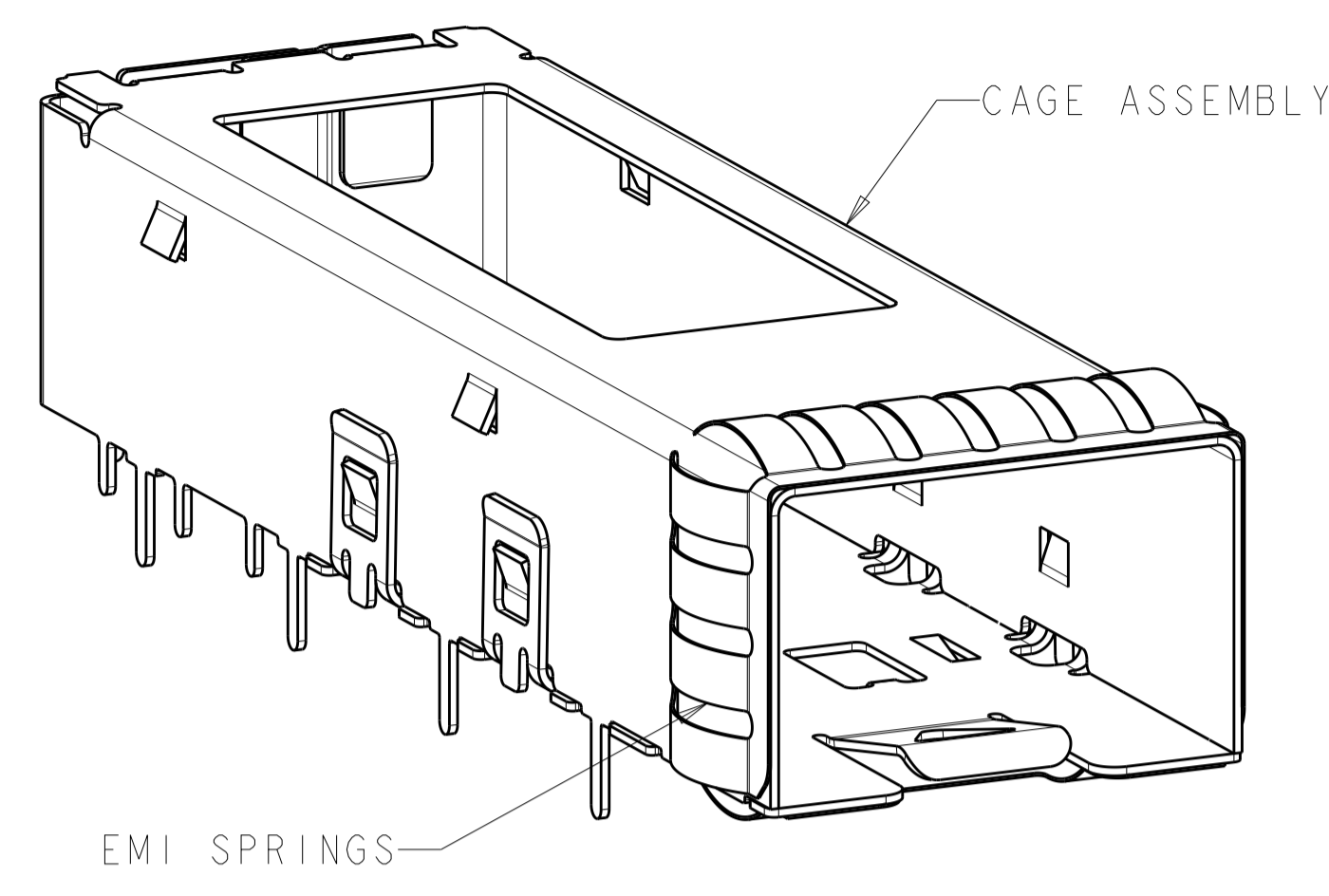
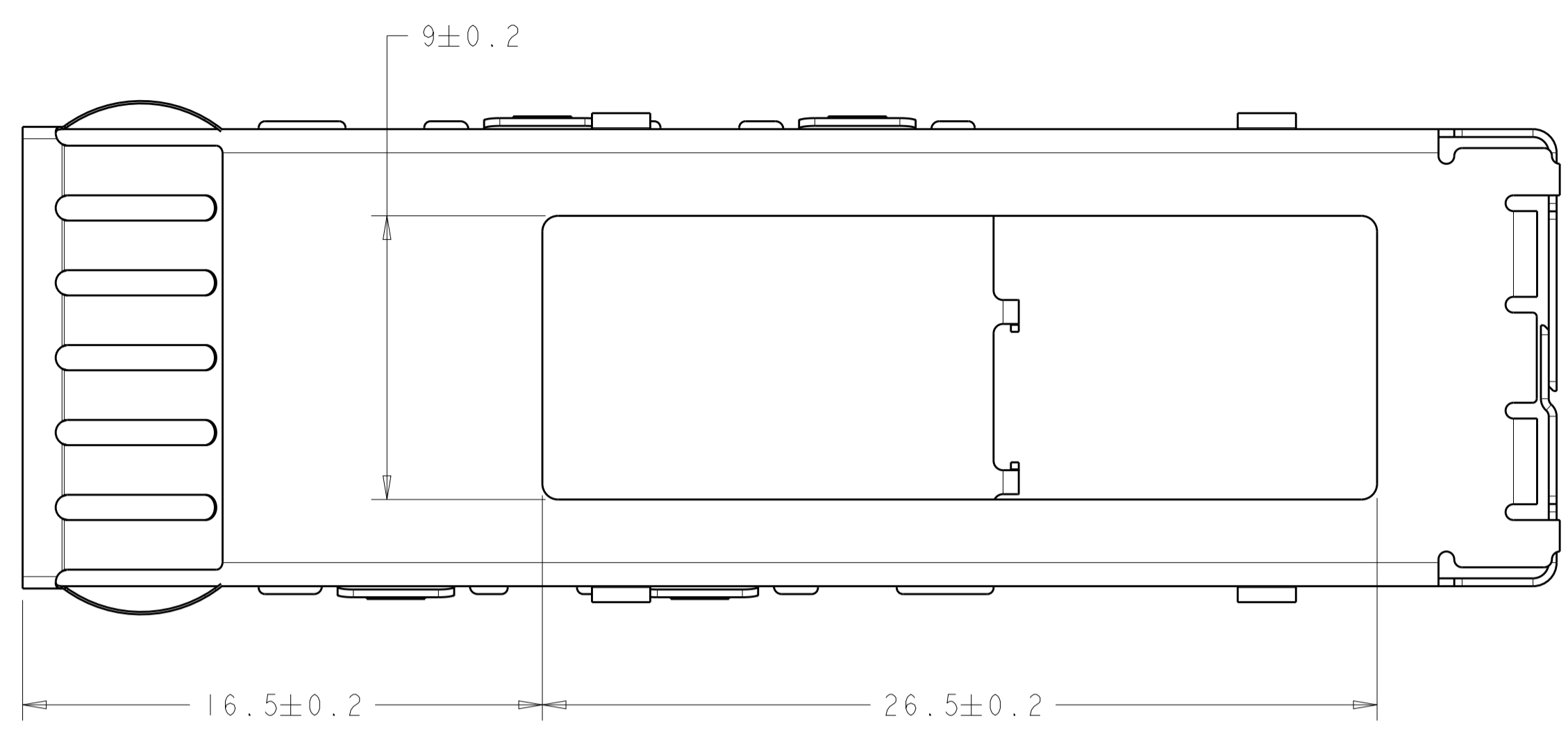


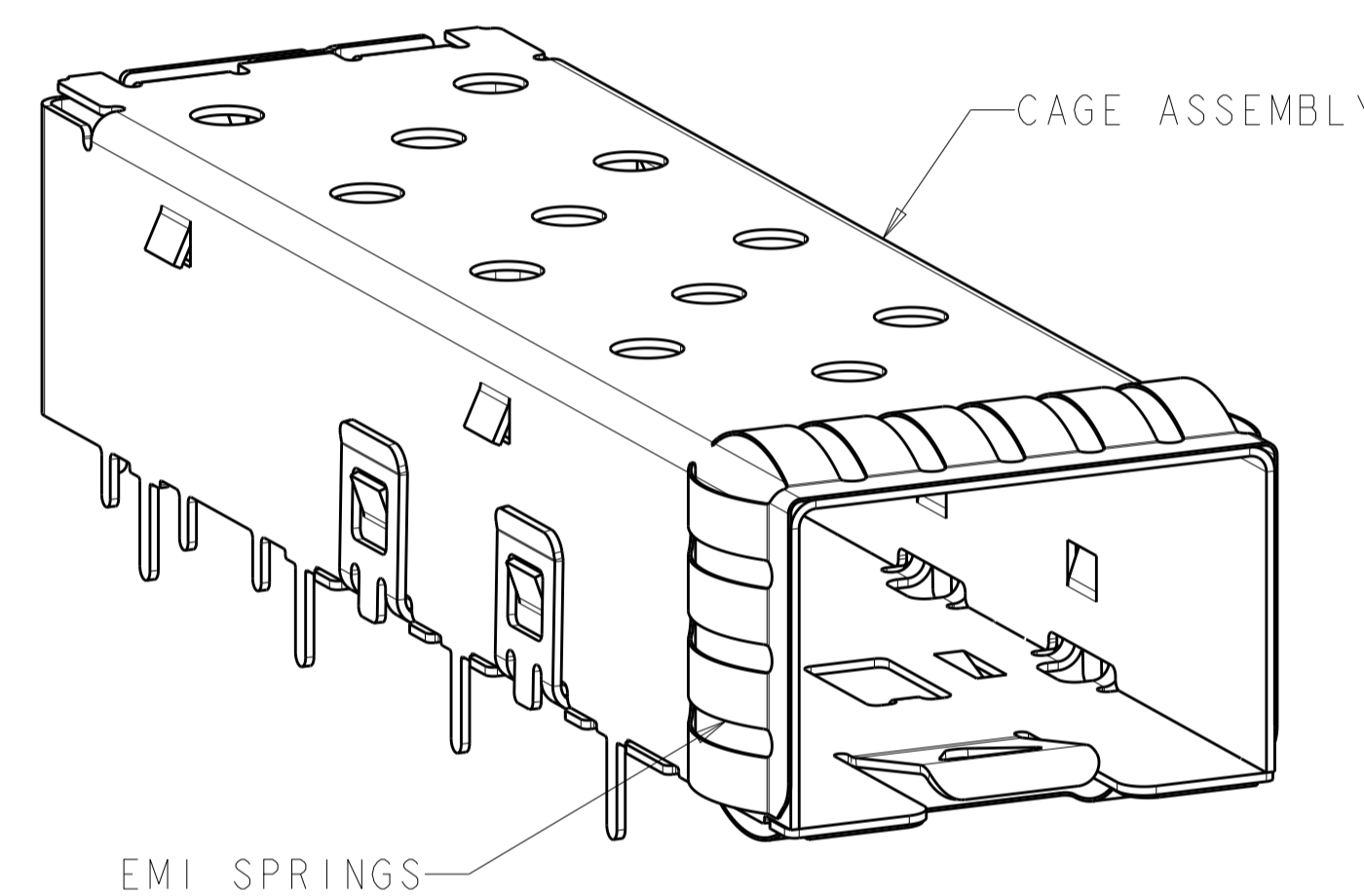
LOC	DIST	REVISIONS					
		P	LTN	DESCRIPTION	DATE	OWN	APVD
GP	00	C1		REVISED PER ECO-11-004835	11MAR2011	RK	HMR
		D		REVISED PER ECO-11-019224	05JAN2012	TX	AC
		D2		REVISED PER ECR-18-001078	23JAN2018	IT	SH



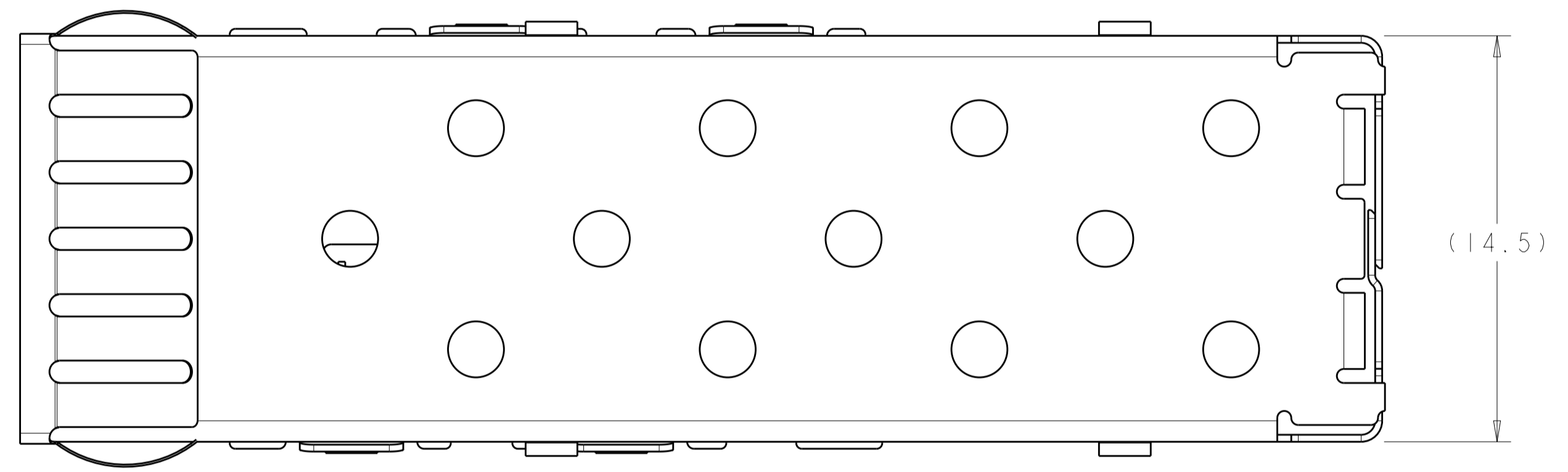
2007194-2  
SCALE 5:1



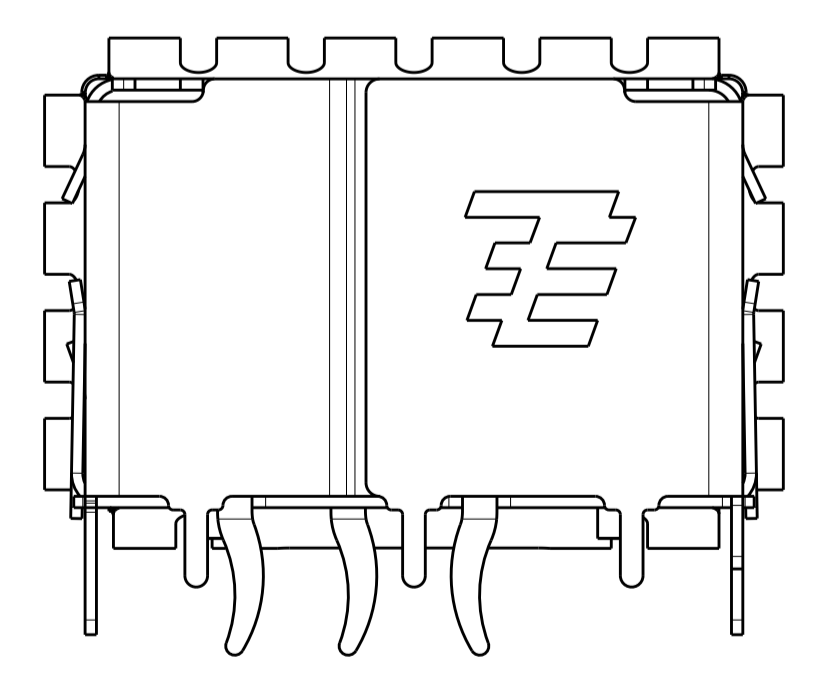
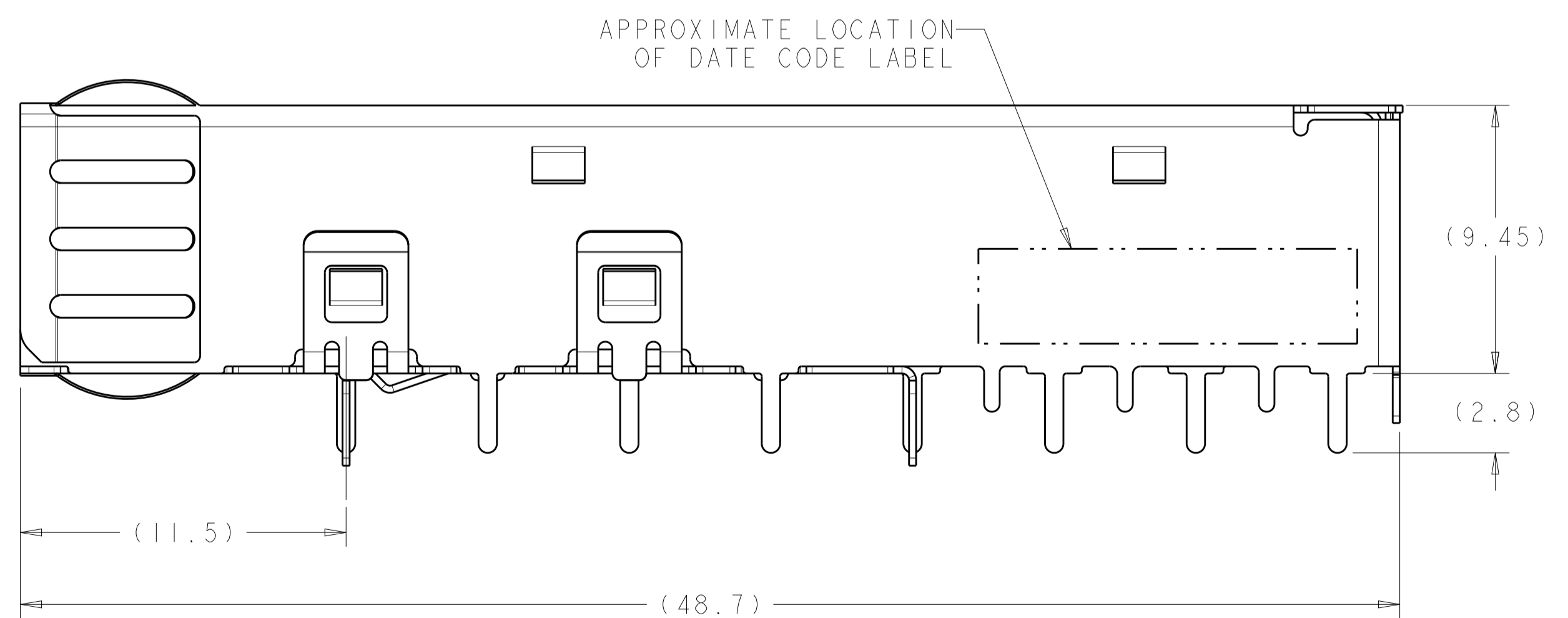
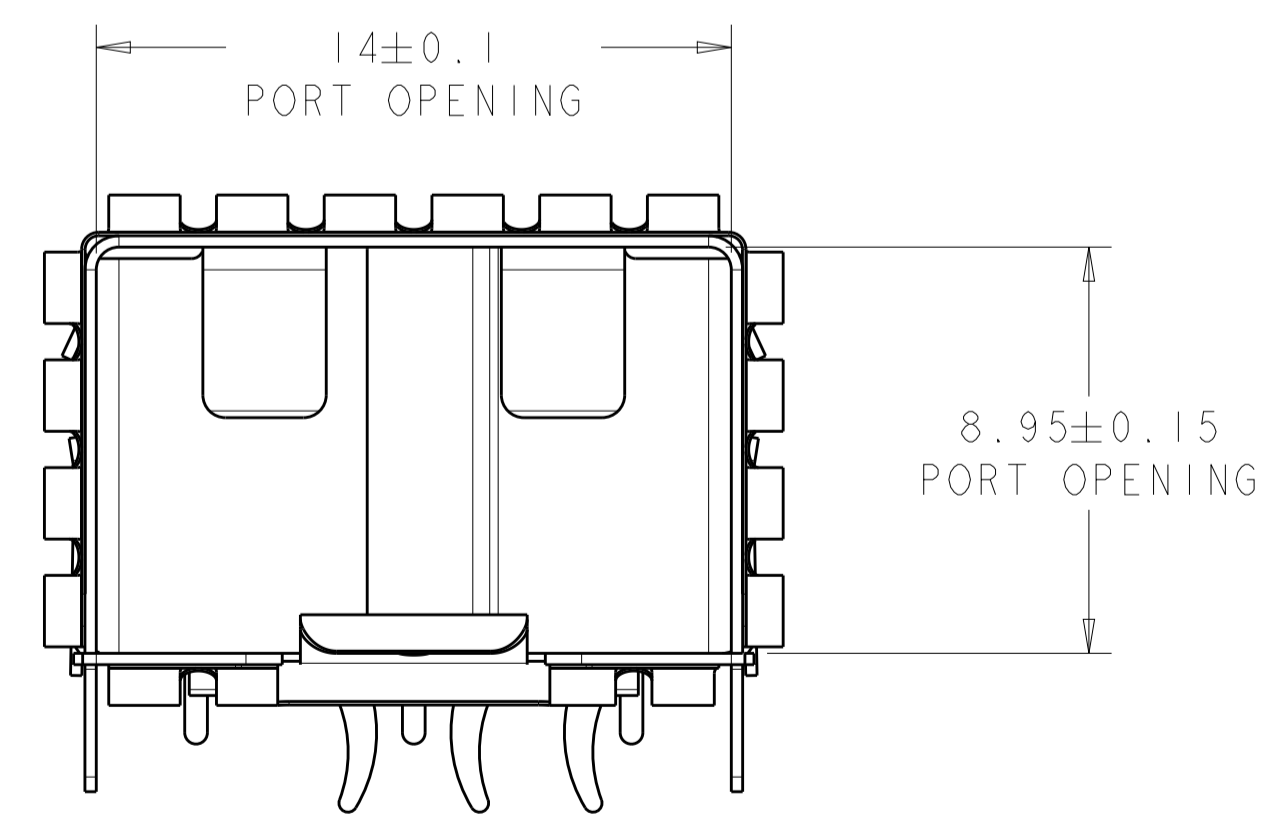
2007194-2  
SAME AS 2007194-1 EXCEPT AS SHOWN  
TOP VIEW



2007194-1  
SCALE 5:1



2007194-1  
TOP VIEW



TAPE&REEL	EMI HOLES	2007194-5
TRAY	HEATSINK OPENING	2007194-2
TRAY	EMI HOLES	2007194-1
PACKAGE	DESCRIPTION	PART NUMBER

THIS DRAWING IS A CONTROLLED DOCUMENT. OWN: Z.M.BEAM 10JUL2007  
 CHG: M.R.SCHMITT 10JUL2007  
 APVD: B.H.WERTZ 10JUL2007

DIMENSIONS: mm  
 TOLERANCES UNLESS OTHERWISE SPECIFIED:  
 0 PLC ±0.1  
 1 PLC ±0.1  
 2 PLC ±0.1  
 3 PLC ±0.05  
 4 PLC ±0.05  
 ANGLES ±0.05

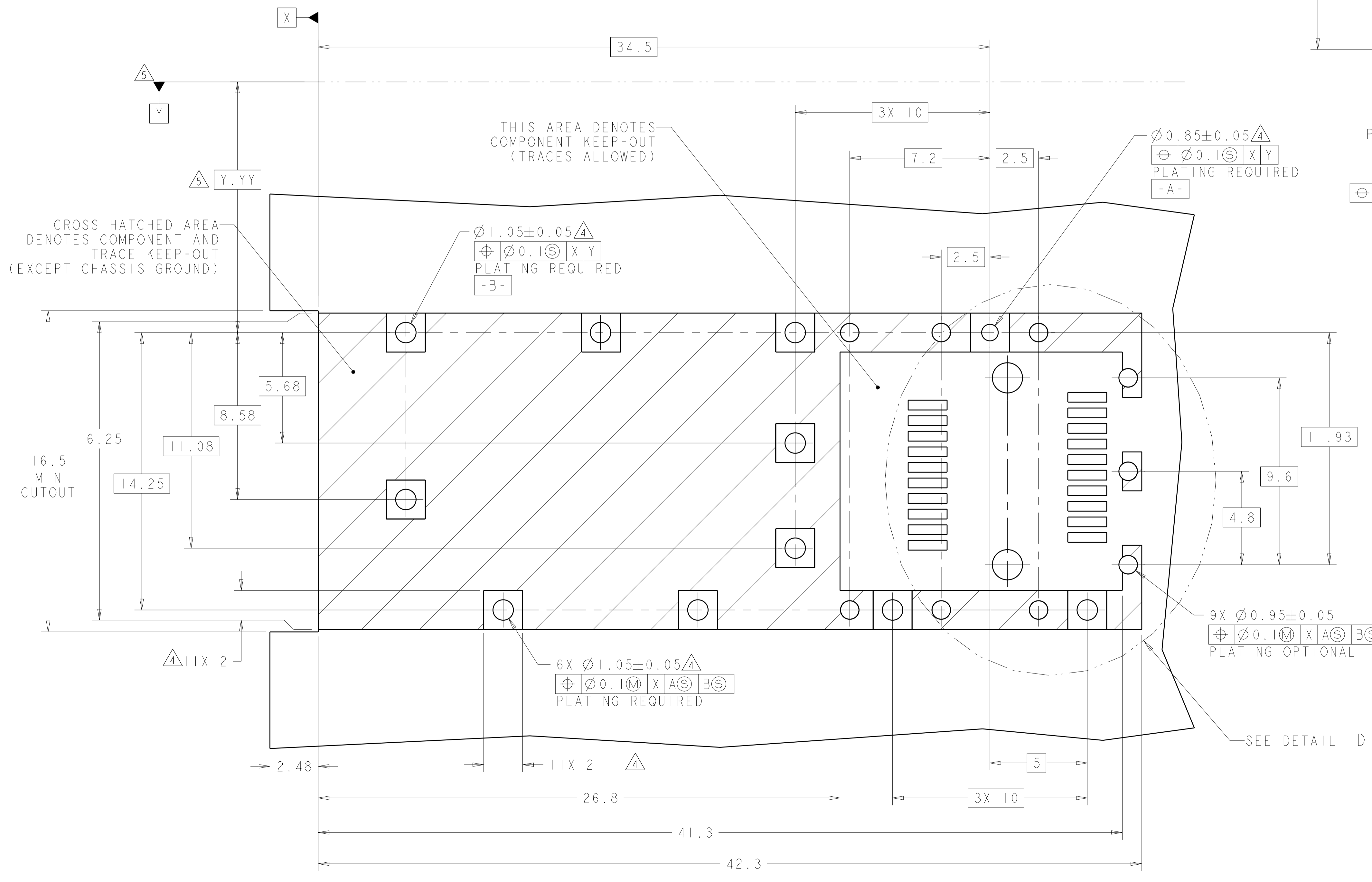
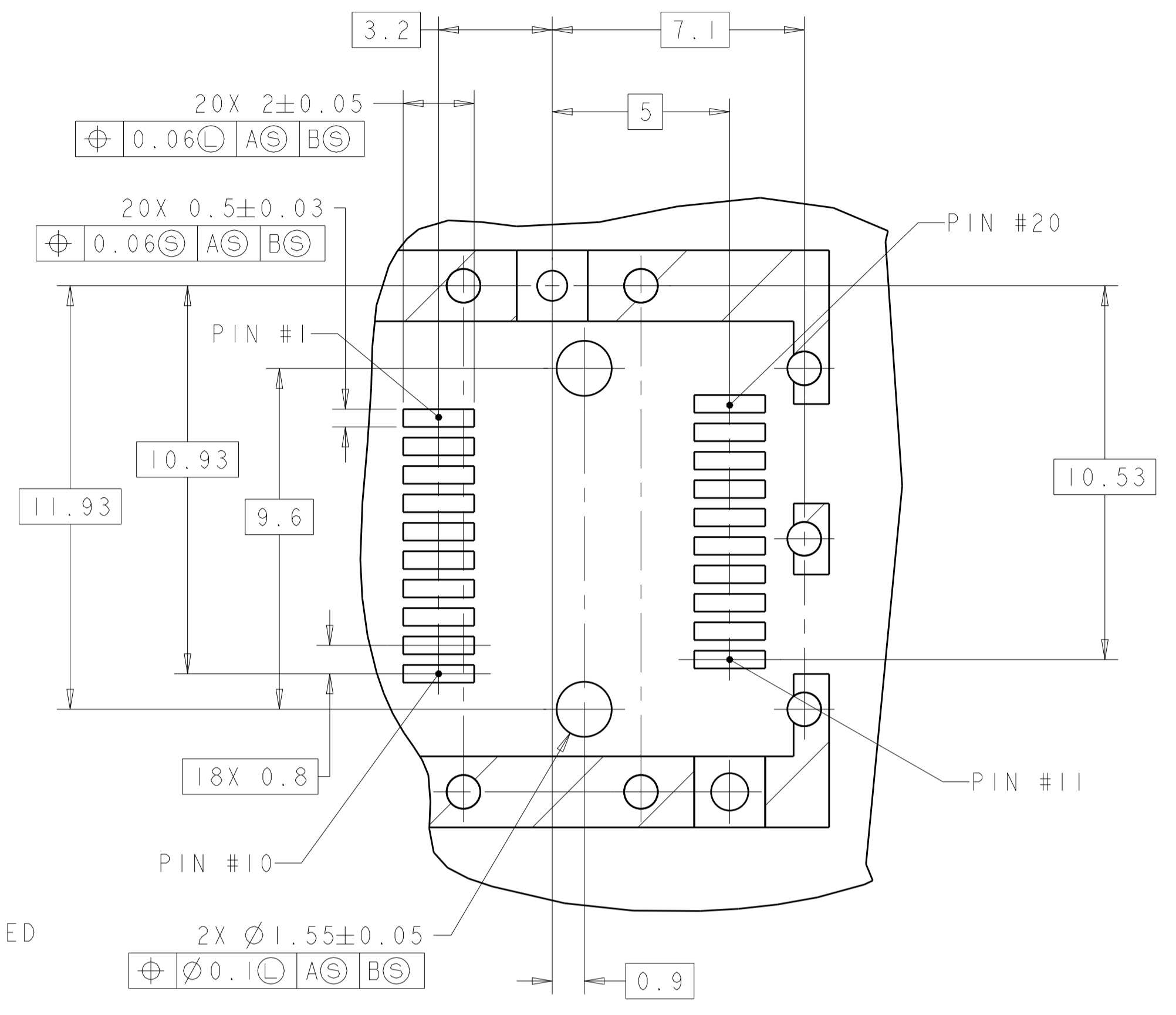
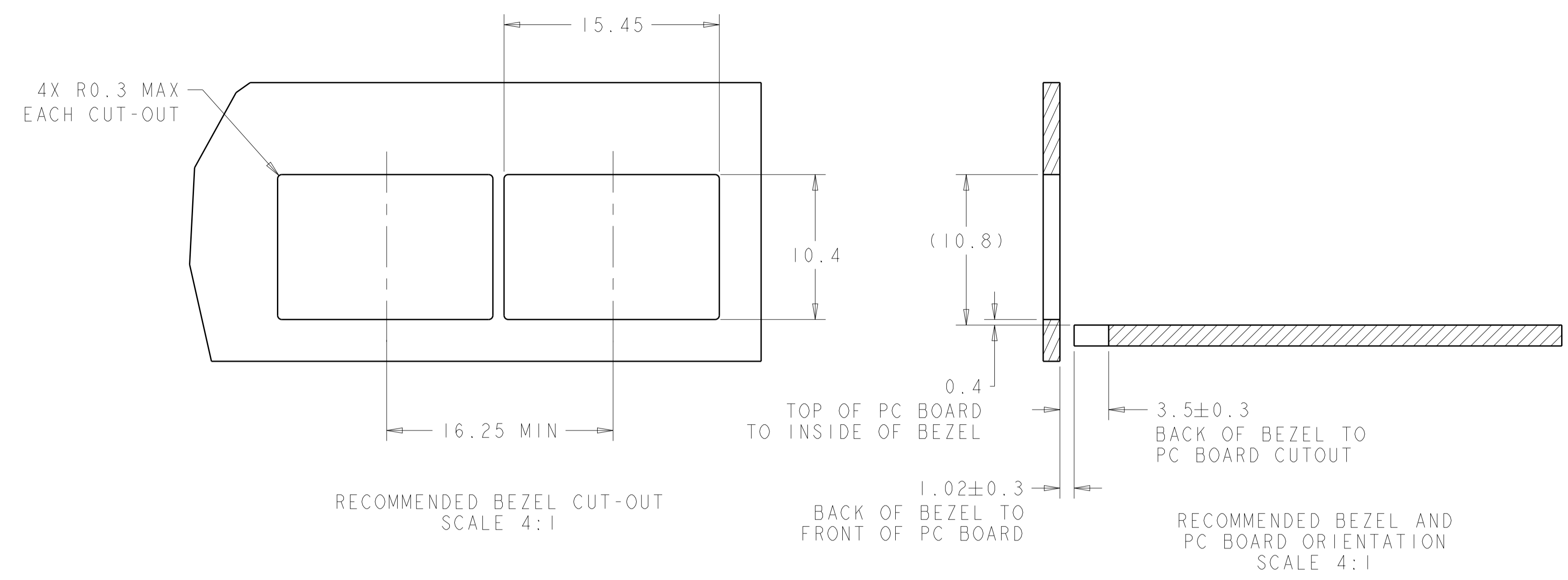
MATERIAL: FINISH:

PRODUCT SPEC: 108-2364  
 APPLICATION SPEC: 114-13120  
 WEIGHT: -

CUSTOMER DRAWING

**STC** TE Connectivity  
 NAME: SFP+ 1X1 CAGE ASSEMBLY, PCI, SOLDER TAILS, EXTERNAL EMI SPRINGS  
 SIZE: A1 CAGE CODE: 100779 DRAWING NO: 2007194  
 RESTRICTED TO: A100779C=2007194  
 SCALE: 6:1 SHEET 1 OF 2 REV: D2

LOC		DIST		REVISIONS			
GP	00	P	LTN	DESCRIPTION	DATE	DMN	APVD
				SEE SHEET 1			



THIS DRAWING IS A CONTROLLED DOCUMENT.		DMN Z. M. BEAM	10 JUL 2007	TE Connectivity SFP+ IXI CAGE ASSEMBLY, PCI, SOLDER TAILS, EXTERNAL EMI SPRINGS
DIMENSIONS:		CHK M. R. SCHMITT	10 JUL 2007	
TOLERANCES UNLESS OTHERWISE SPECIFIED:		APVD R. H. WERTZ	10 JUL 2007	
mm		NAME		
0 PLC	±0.1	PRODUCT SPEC		
1 PLC	±0.1	108-2364		
2 PLC	±0.1	APPLICATION SPEC		
3 PLC	±0.05	114-13120		
4 PLC	±0.05	WEIGHT		
ANGLES	±0.05	A100779C=2007194		
MATERIAL		CUSTOMER DRAWING		SCALE 6:1 SHEET 2 OF 2 REV D2

## X-ON Electronics

Largest Supplier of Electrical and Electronic Components

*Click to view similar products for [I/O Connectors](#) category:*

*Click to view products by [TE Connectivity](#) manufacturer:*

Other Similar products are found below :

[571763P](#) [72.250.1628.2](#) [72.250.2428.2](#) [74720-0505](#) [76.350.0729.0](#) [76871-1403](#) [FCN-244F080-G/1](#) [FCN-260A9920](#) [MP-5T180MUNNA-005](#)  
[PCR-E36PM](#) [PCS-XE26MA+](#) [G38A71314B](#) [1571250010](#) [157-22500-3](#) [MS3471L14-19P L/C](#) [91-569786-35H](#) [172501-4002](#) [172501-6002](#)  
[FCN-260C008-A/L0](#) [FCN-260C024-AL0](#) [FCN-261Z008](#) [2000314-1](#) [200331-1](#) [PCR-E36FC+](#) [PCS-E28FS+](#) [PCS-XE26SLFD+](#) [PCS-](#)  
[XE26SLFDT+](#) [G730VID08BDC24](#) [U90B2054081210](#) [UE86K842720321](#) [38113800006](#) [DP3AR020WQ1R200](#) [Z4.102.0680.0](#) [500-1040](#)  
[500-1052](#) [500-1054](#) [ZP-4008-66L](#) [0709821002](#) [10-565995-597N](#) [DX40-20P\(55\)](#) [5554841-1](#) [MS3474W18-8P-LC\\*](#) [U90B3054061110](#) [U65-](#)  
[E04-4020](#) [ZPF000000000097891](#) [557-262M2-06C](#) [747360449](#) [10099439-003C-TRLF](#) [10137239-0021LF](#) [E9320-001-01](#)