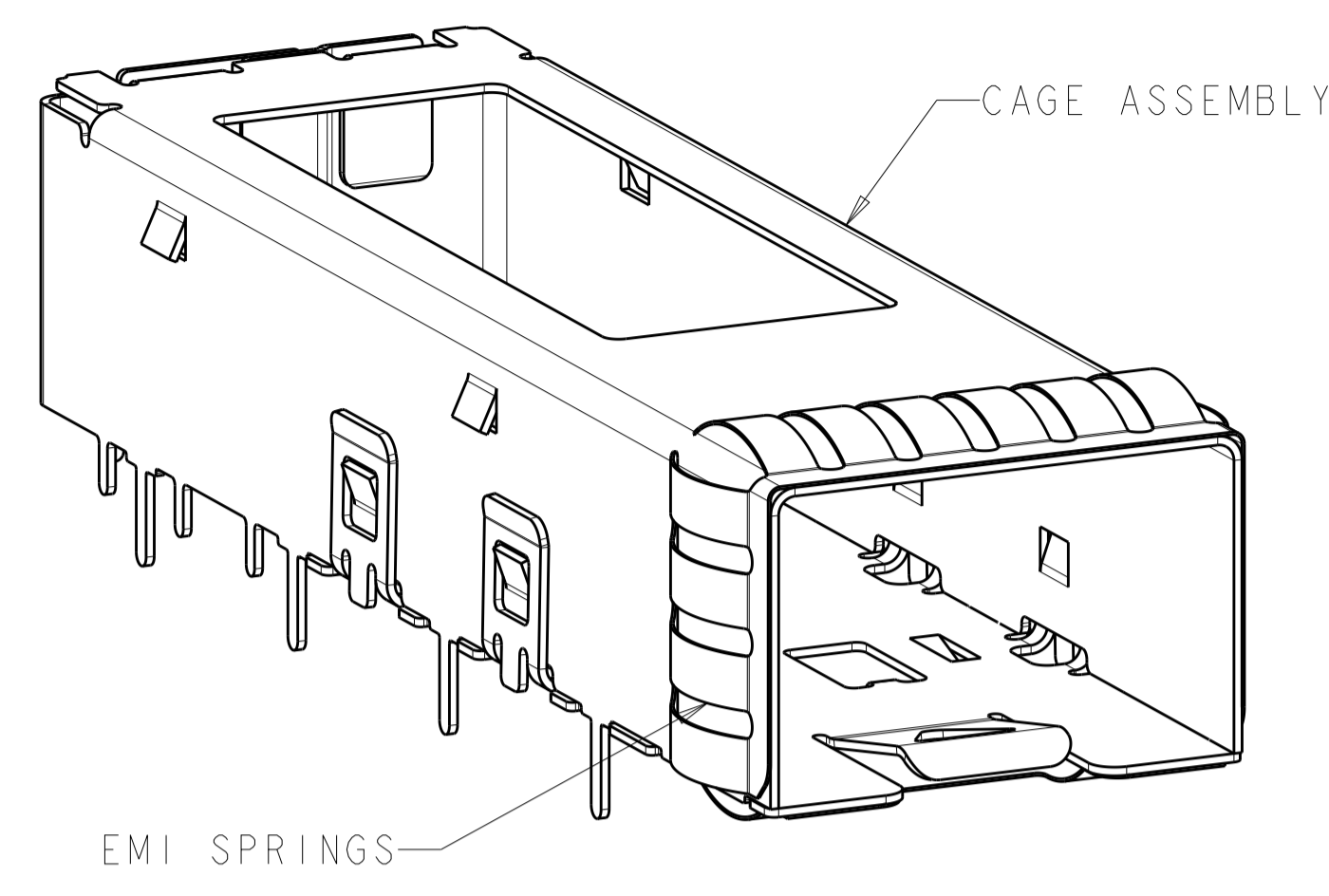
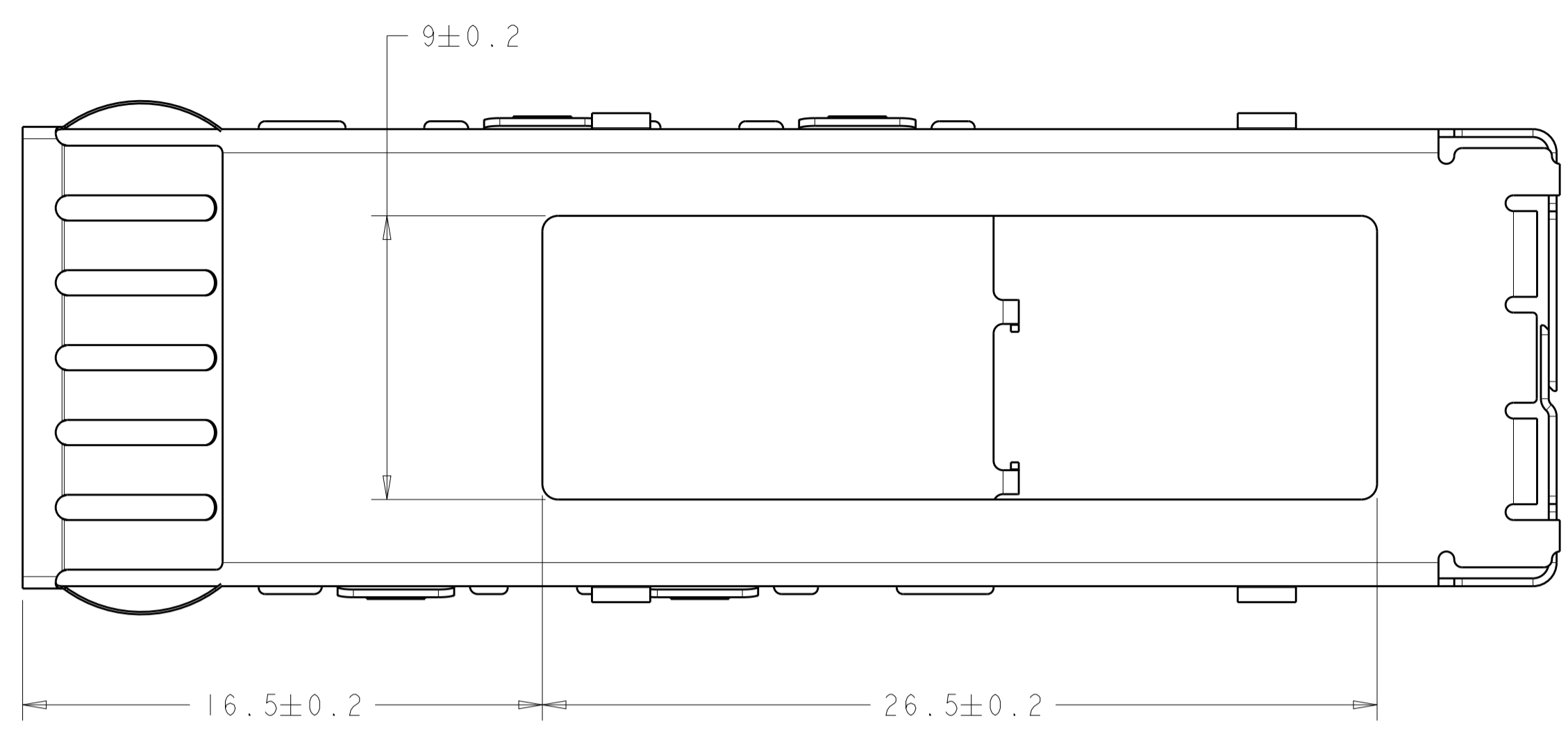


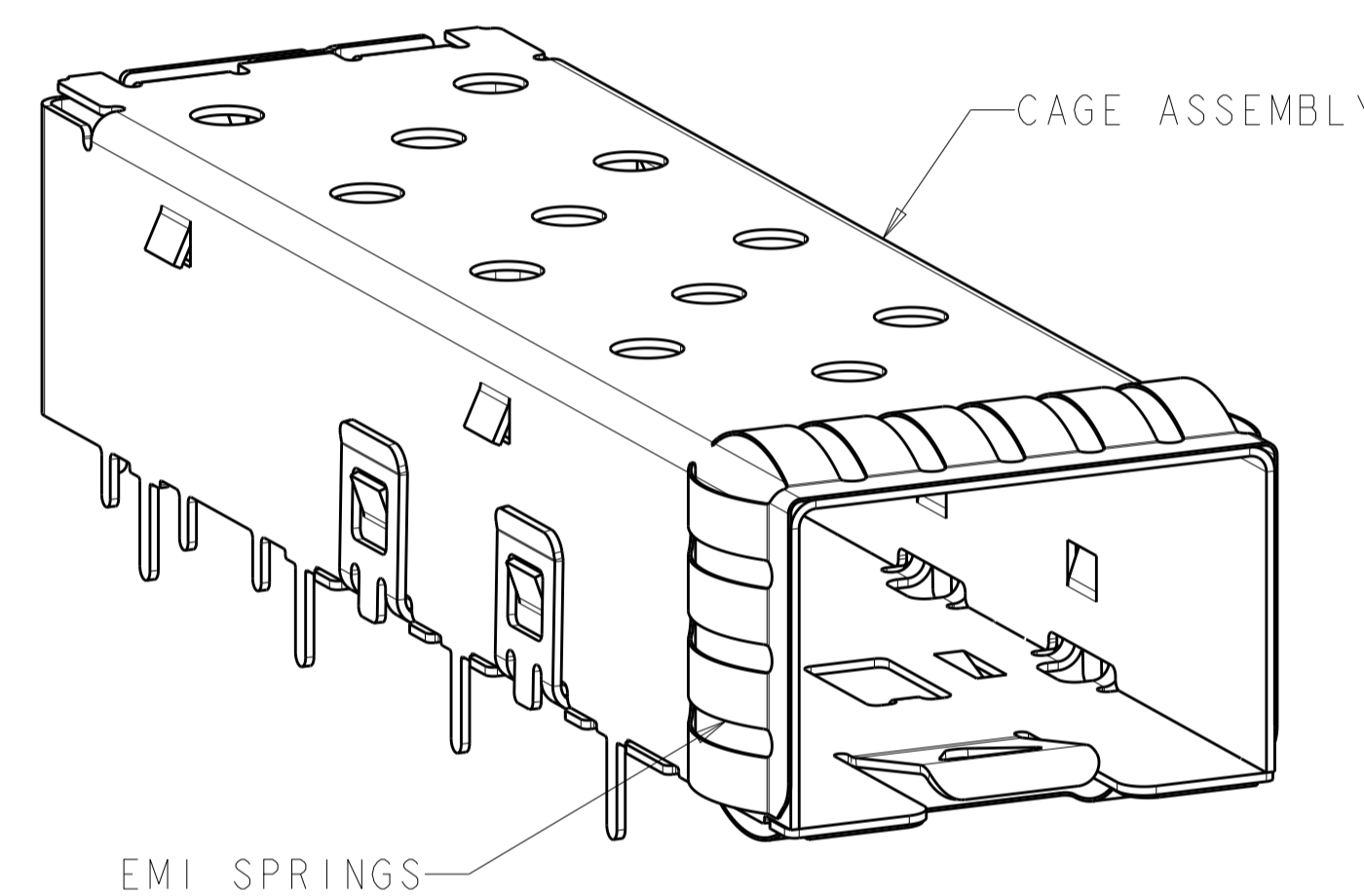
LOC	DIST	REVISIONS					
		P	LTN	DESCRIPTION	DATE	OWN	APVD
GP	00						
		C1		REVISED PER ECO-11-004835	11MAR2011	RK	HMR
		D		REVISED PER ECO-11-019224	05JAN2012	TX	AC
		D2		REVISED PER ECR-18-001078	23JAN2018	IT	SH



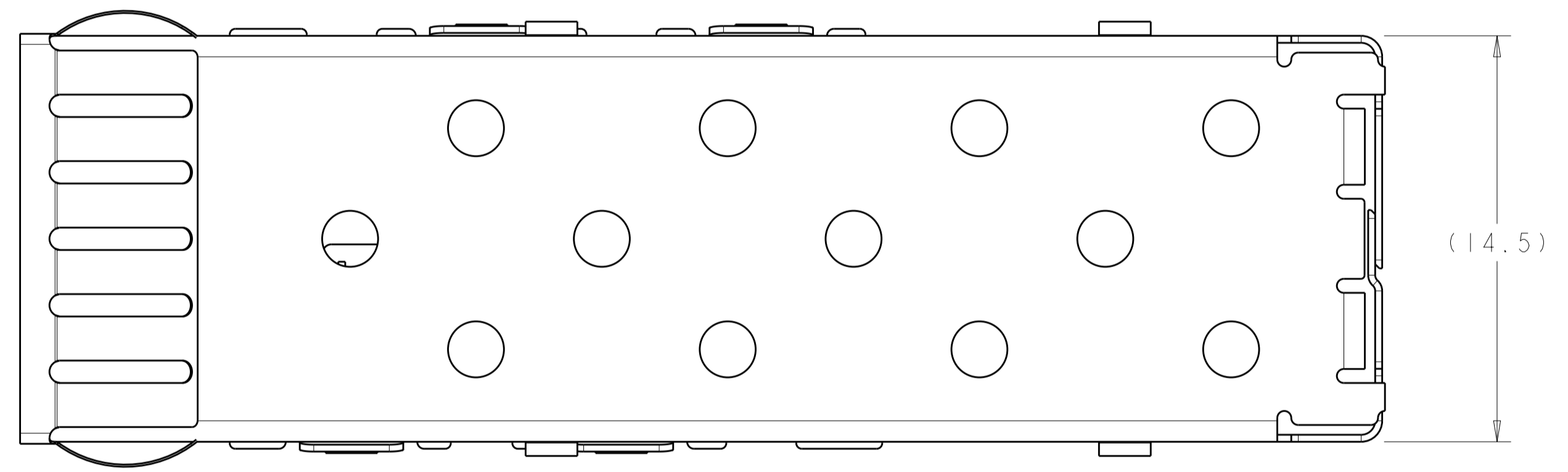
2007194-2
SCALE 5:1



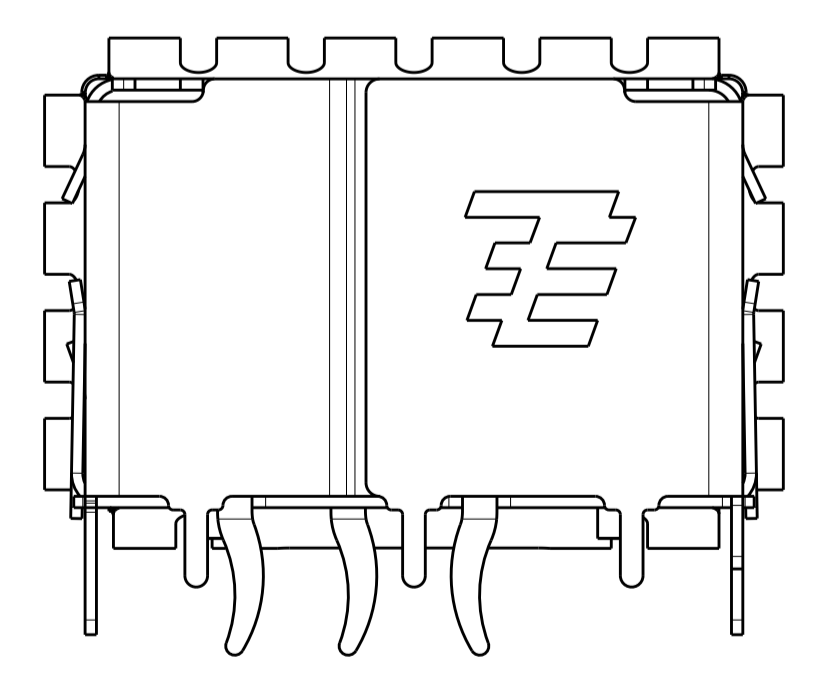
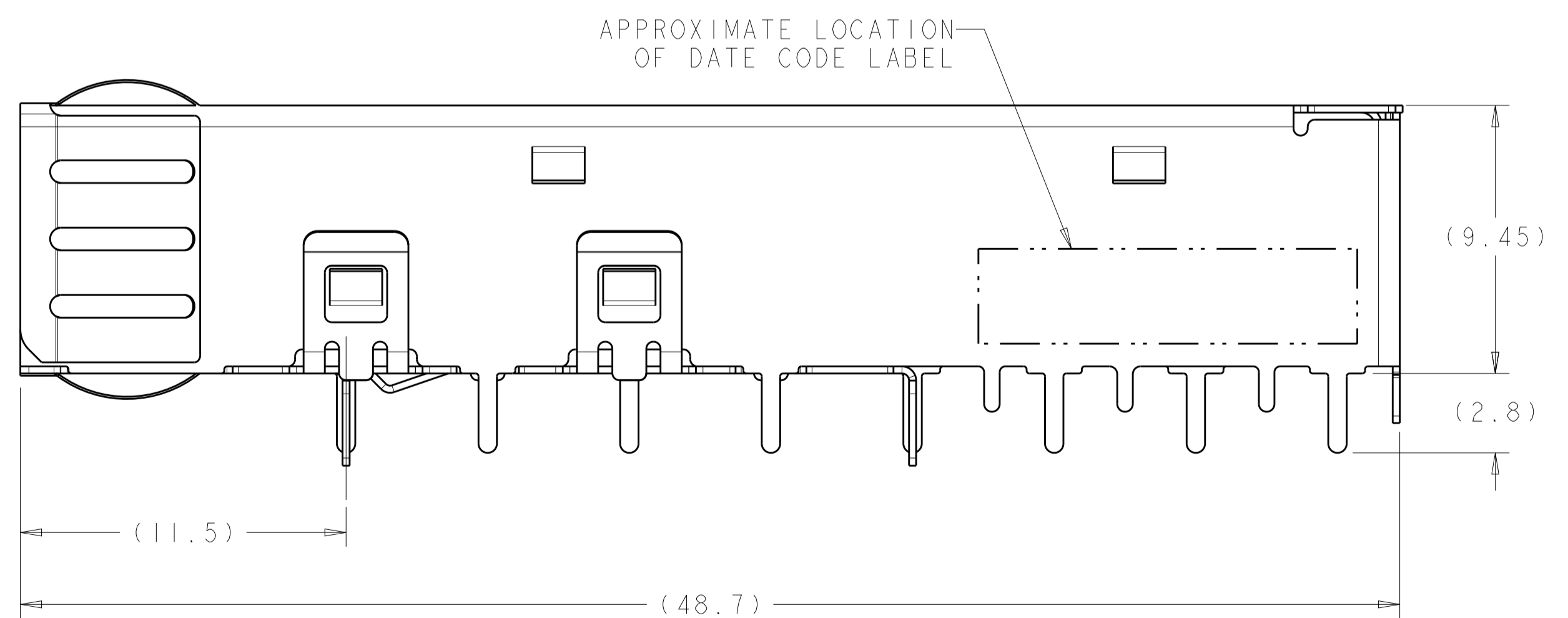
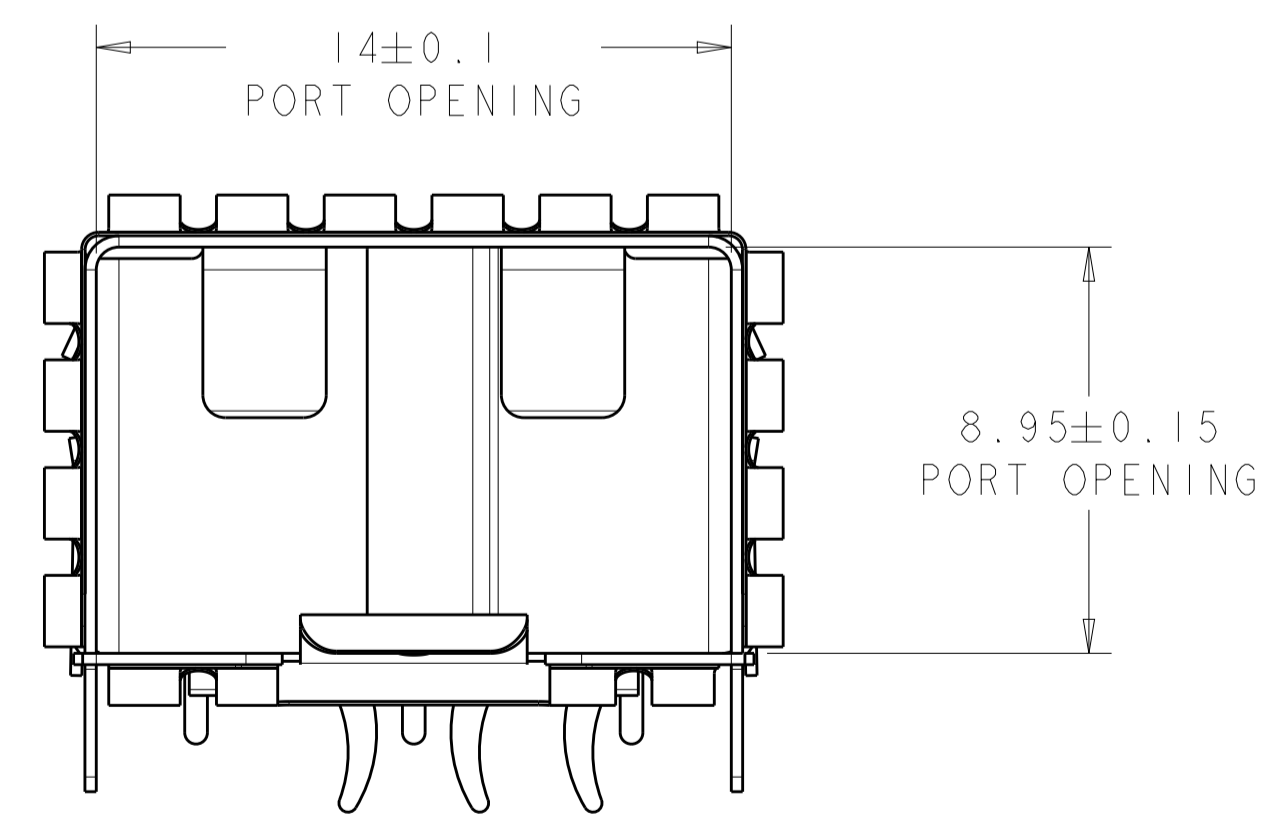
2007194-2
SAME AS 2007194-1 EXCEPT AS SHOWN
TOP VIEW



2007194-1
SCALE 5:1



2007194-1
TOP VIEW



TAPE&REEL	EMI HOLES	2007194-5
TRAY	HEATSINK OPENING	2007194-2
TRAY	EMI HOLES	2007194-1
PACKAGE	DESCRIPTION	PART NUMBER

THIS DRAWING IS A CONTROLLED DOCUMENT. OWN: Z.M.BEAM 10JUL2007
 CHG: M.R.SCHMITT 10JUL2007
 APVD: B.H.WERTZ 10JUL2007

DIMENSIONS: mm

0 PLC	±0.1
1 PLC	±0.1
2 PLC	±0.1
3 PLC	±0.1
4 PLC	±0.05
ANGLES	±0.05

TOLERANCES UNLESS OTHERWISE SPECIFIED:

MATERIAL: FINISH:

PRODUCT SPEC: 108-2364
 APPLICATION SPEC: 114-13120
 WEIGHT: -

CUSTOMER DRAWING

STC TE Connectivity

NAME: SFP+ 1X1 CAGE ASSEMBLY, PCI, SOLDER TAILS, EXTERNAL EMI SPRINGS

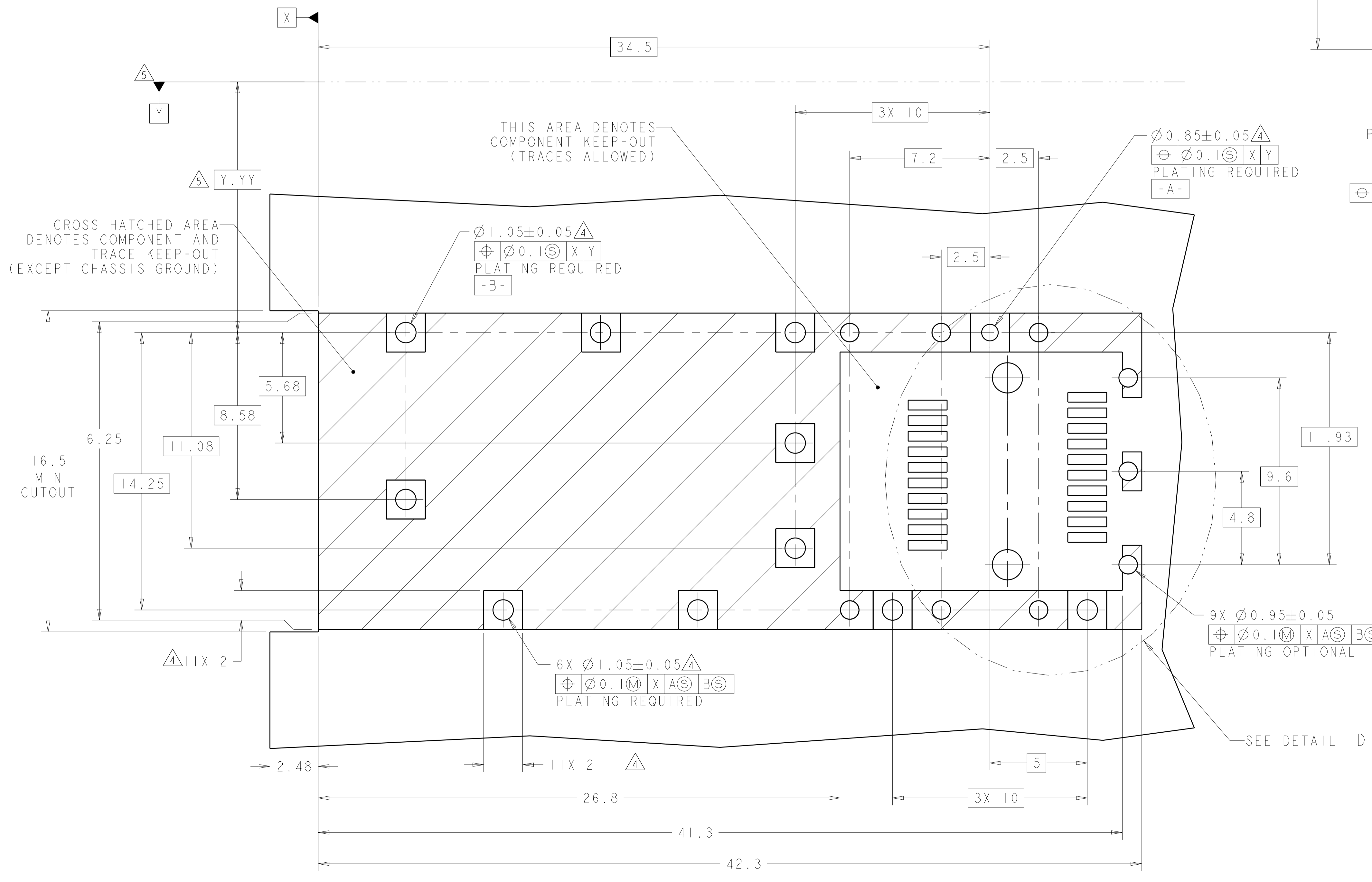
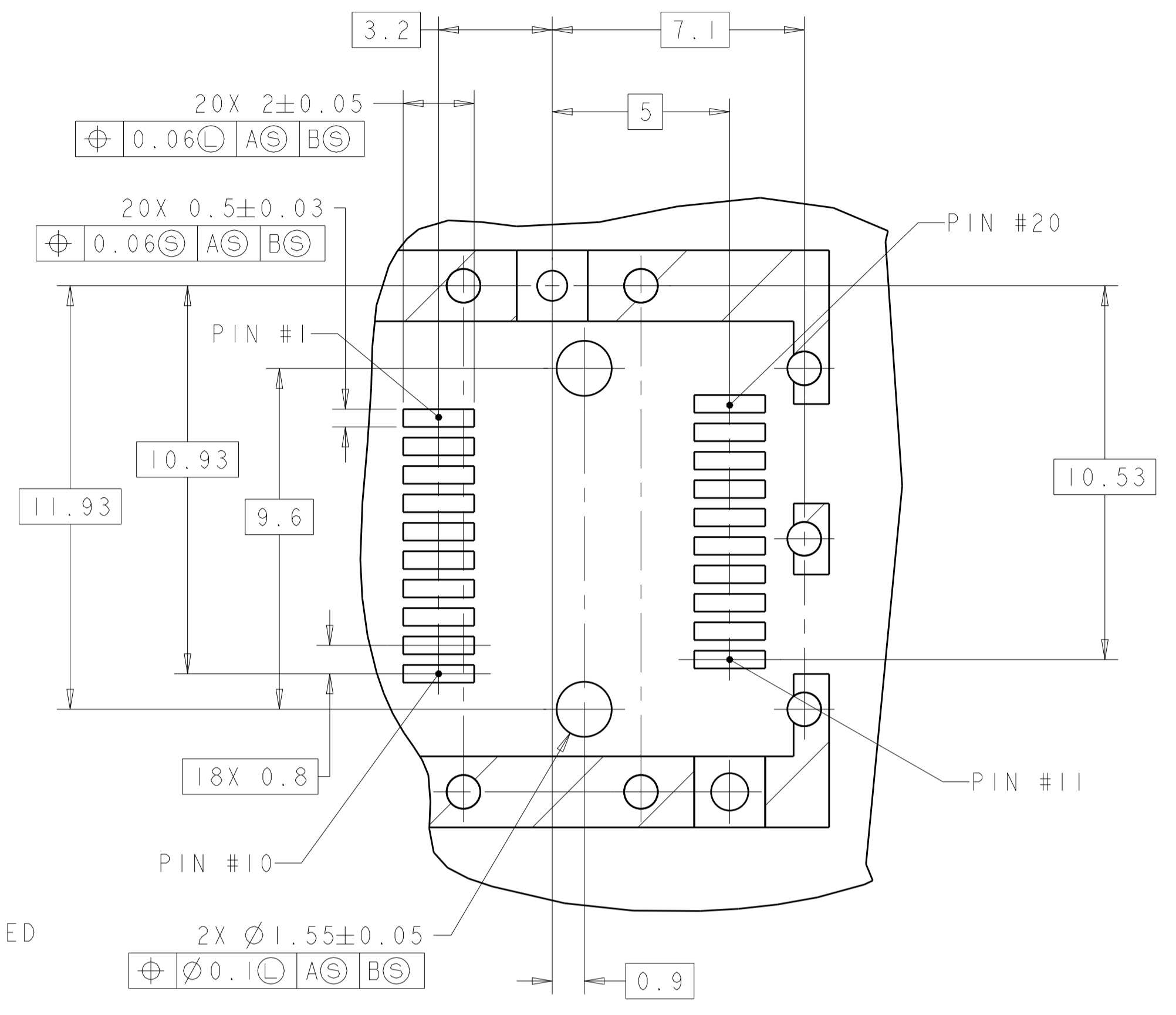
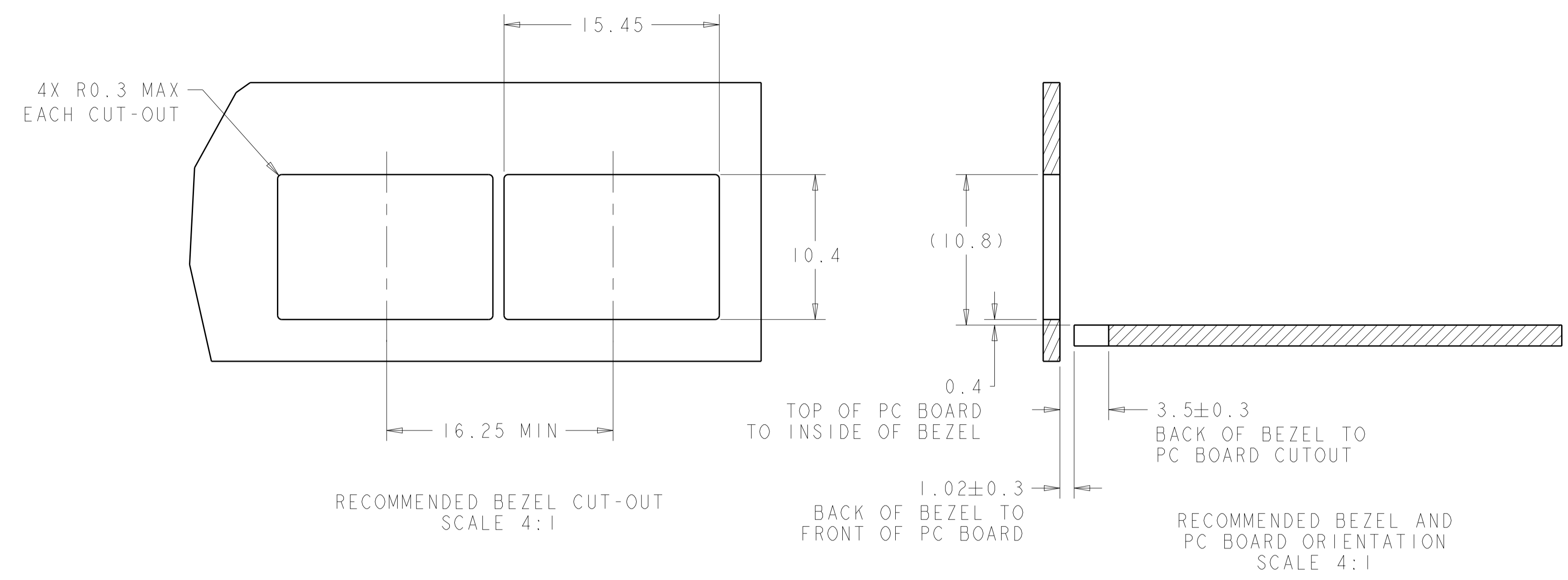
SIZE: A1 CAGE CODE: 100779 DRAWING NO: 2007194

RESTRICTED TO: A100779C=2007194

SCALE: 6:1 SHEET 1 OF 2 REV: D2

- 1 MATERIAL:
CAGE ASSEMBLY - 0.25mm THICK NICKEL-SILVER ALLOY.
EMI SPRINGS - COPPER ALLOY.
- 2 FINISH:
EMI SPRINGS - 0.8um MIN MATTE TIN OVER 0.8um MIN NICKEL
NON PLATED EDGES PERMISSIBLE.
- 3. MATES WITH SFP MSA COMPLIANT TRANSCEIVERS.
- 4 PADS AND VIAS CHASSIS GROUND.
- 5 DATUMS AND BASIC DIMENSIONS ESTABLISHED BY CUSTOMER.
- 6. MINIMUM PC BOARD THICKNESS:
SINGLE SIDED = 1.50mm.
- 7. NOTE DELETED

LOC		DIST		REVISONS			
GP	00	P	LTN	DESCRIPTION	DATE	OWN	APVD
				SEE SHEET 1			



THIS DRAWING IS A CONTROLLED DOCUMENT.		OWN Z. M. BEAM	10 JUL 2007	TE Connectivity SFP+ IXI CAGE ASSEMBLY, PCI, SOLDER TAILS, EXTERNAL EMI SPRINGS
DIMENSIONS:		CHK M. R. SCHMITT	10 JUL 2007	
TOLERANCES UNLESS OTHERWISE SPECIFIED:		APVD B. H. WERTZ	10 JUL 2007	
mm		NAME		
0 PLC	±0.1	PRODUCT SPEC		
1 PLC	±0.1	108-2364		
2 PLC	±0.1	APPLICATION SPEC		
3 PLC	±0.05	114-13120		
4 PLC	±0.05	WEIGHT		
ANGLES	±0.05	CUSTOMER DRAWING		
MATERIAL		SIZE		RESTRICTED TO
FINISH		CAGE CODE		SCALE
		DRAWING NO		SHEET
		A100779C=2007194		2 OF 2
		SCALE 6:1		REV D2

X-ON Electronics

Largest Supplier of Electrical and Electronic Components

Click to view similar products for [I/O Connectors](#) category:

Click to view products by [TE Connectivity](#) manufacturer:

Other Similar products are found below :

[571763P](#) [72.250.1628.2](#) [72.250.2428.2](#) [74720-0505](#) [76.350.0729.0](#) [76871-1403](#) [FCN-244F080-G/1](#) [FCN-260A9920](#) [MP-5T180MUNNA-005](#)
[PCR-E36PM](#) [PCS-XE26MA+](#) [G38A71314B](#) [1571250010](#) [157-22500-3](#) [MS3471L14-19P L/C](#) [91-569786-35H](#) [172501-4002](#) [172501-6002](#)
[FCN-260C008-A/L0](#) [FCN-260C024-AL0](#) [FCN-261Z008](#) [2000314-1](#) [200331-1](#) [PCR-E36FC+](#) [PCS-E28FS+](#) [PCS-XE26SLFD+](#) [PCS-](#)
[XE26SLFDT+](#) [G730VID08BDC24](#) [U90B2054081210](#) [UE86K842720321](#) [38113800006](#) [DP3AR020WQ1R200](#) [Z4.102.0680.0](#) [500-1040](#)
[500-1052](#) [500-1054](#) [ZP-4008-66L](#) [0709821002](#) [10-565995-597N](#) [DX40-20P\(55\)](#) [5554841-1](#) [U90B3054061110](#) [U65-E04-4020](#)
[ZPF00000000097891](#) [557-262M2-06C](#) [747360449](#) [10099439-003C-TRLF](#) [10137239-0021LF](#) [E9320-001-01](#) [10137239-0011LF](#)