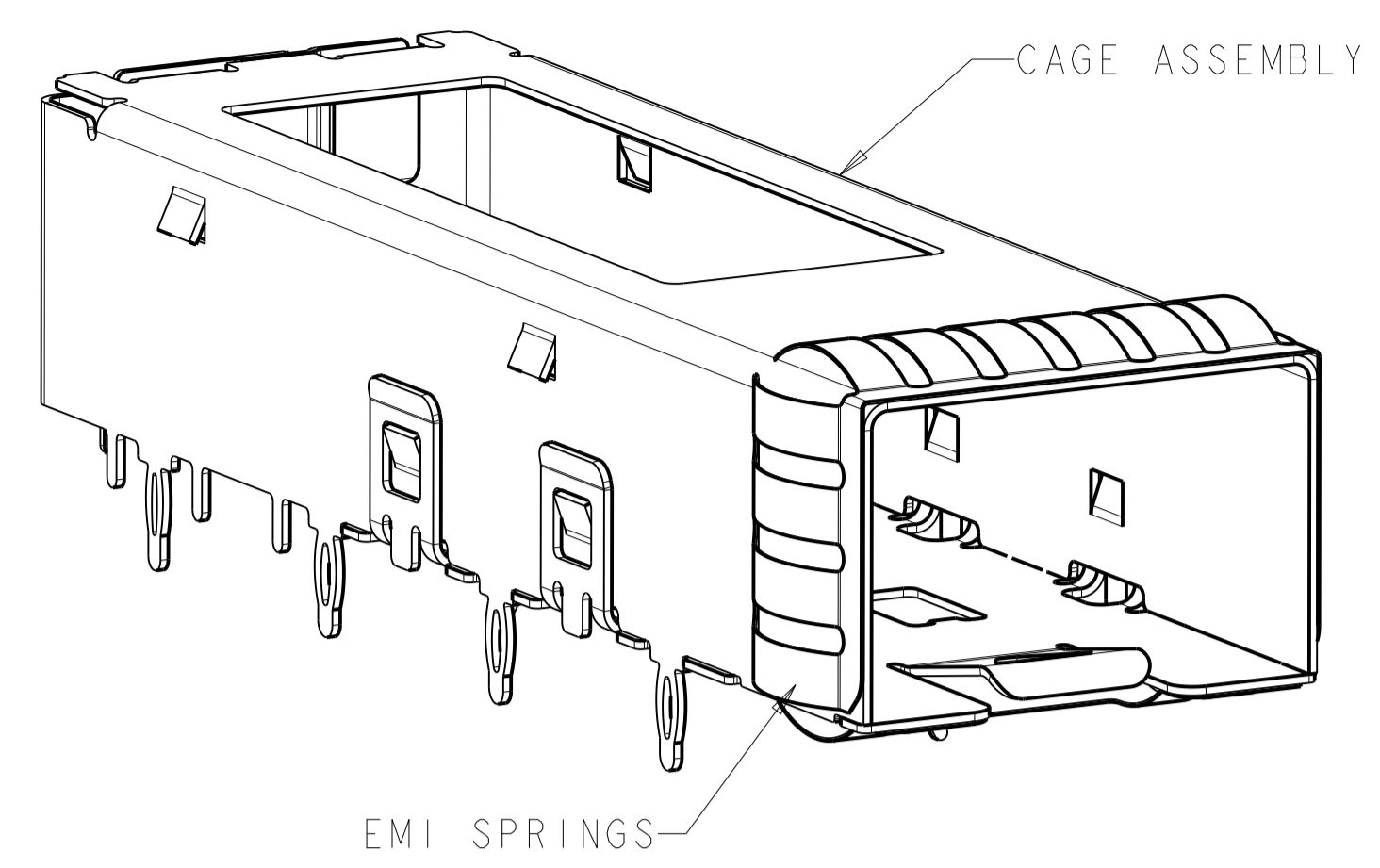
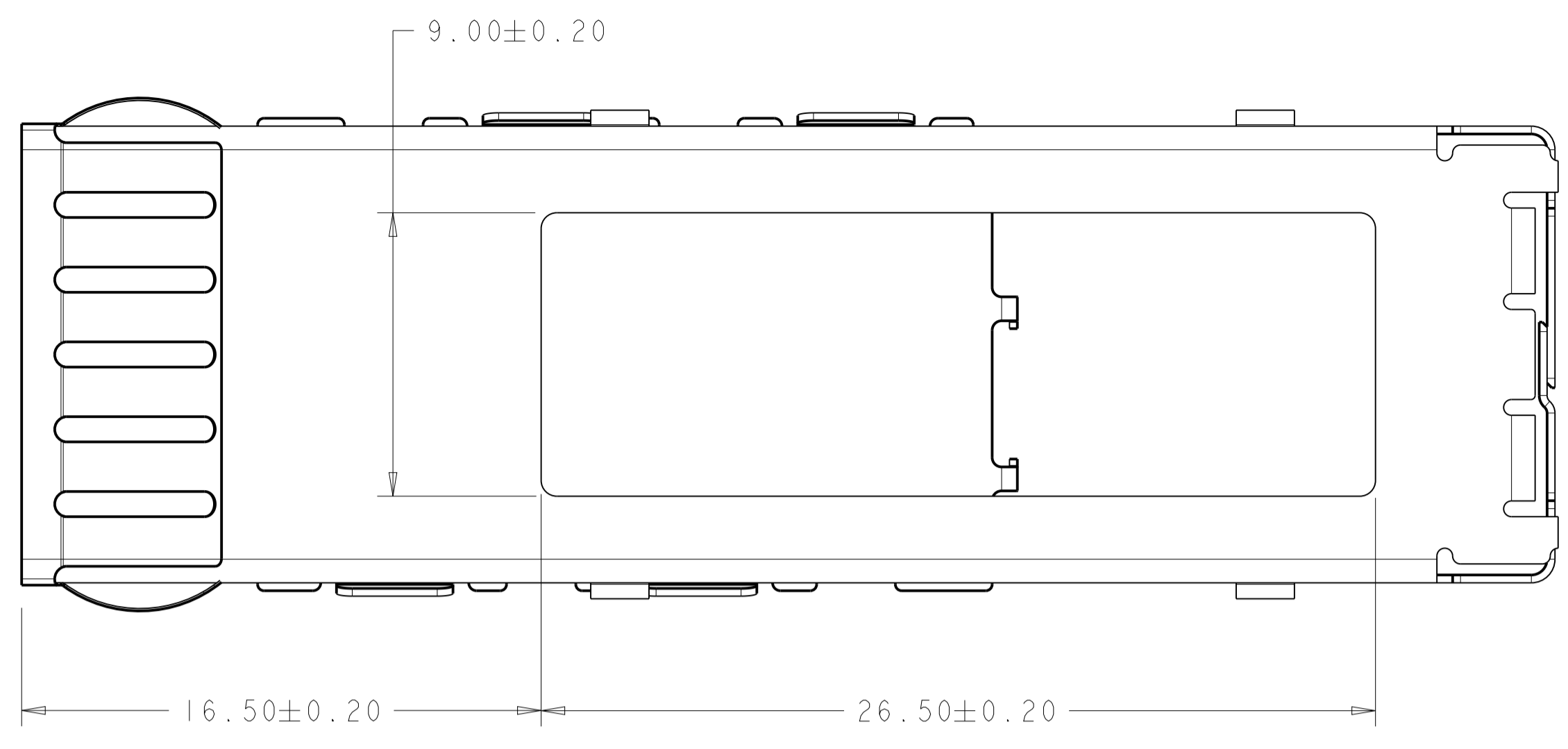


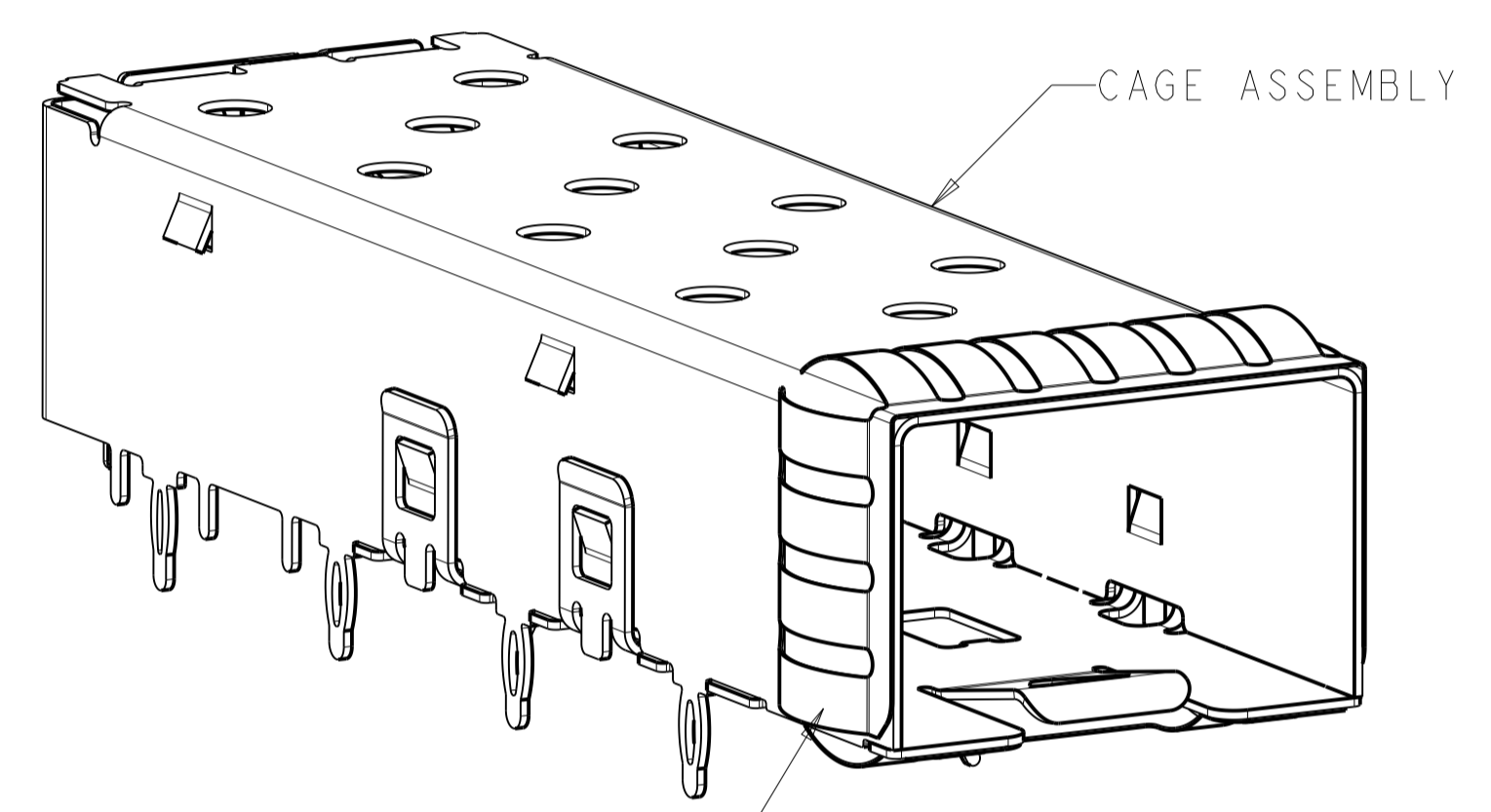
LOC	DIST	REVISIONS					
GP	00	P	LTN	DESCRIPTION	DATE	DWN	APVD
		C		REVISED PER ECO-11-024172	07DEC2011	TX	AC
		C1		REVISED PER ECO-13-014018	09SEP2013	PP	SH
		C2		REVISED PER ECO-14-000741	16JAN2014	PP	SH
		C3		REVISED PER ECO-14-004730	24MAR2014	JZ	SH



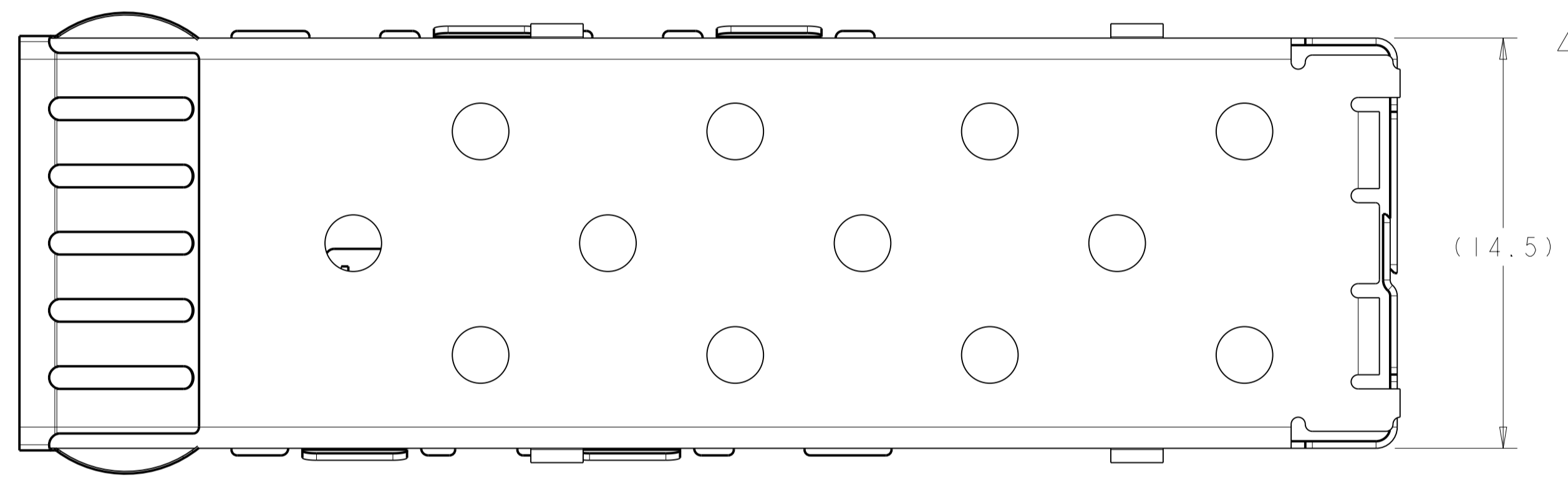
2007198-2  
SCALE 5:1



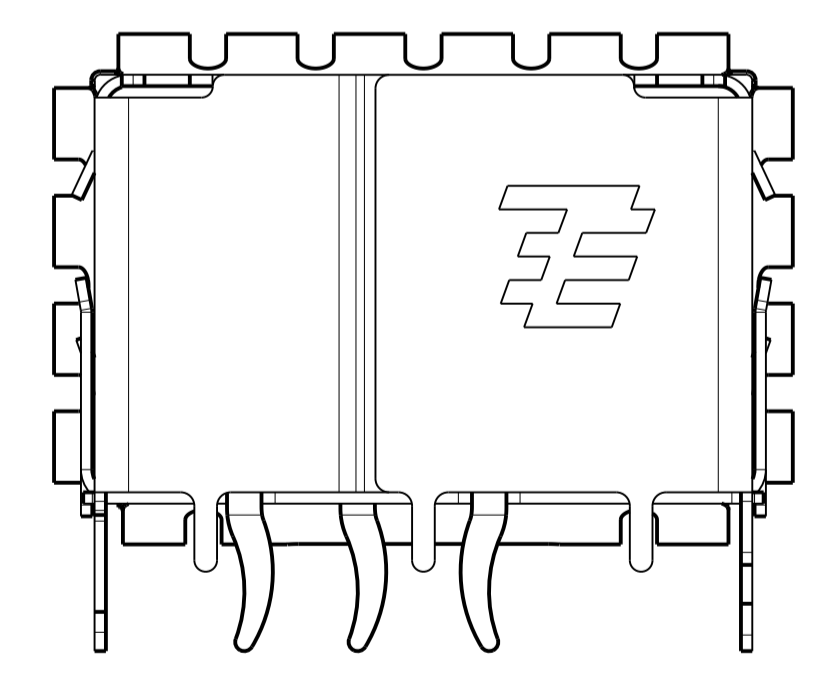
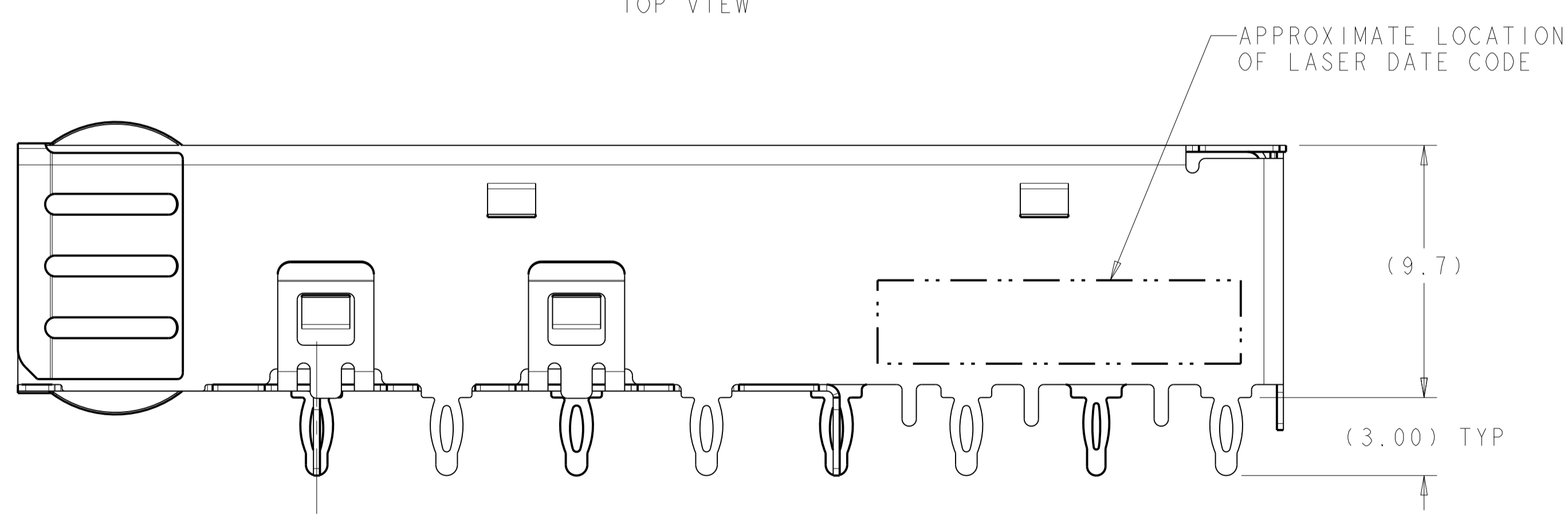
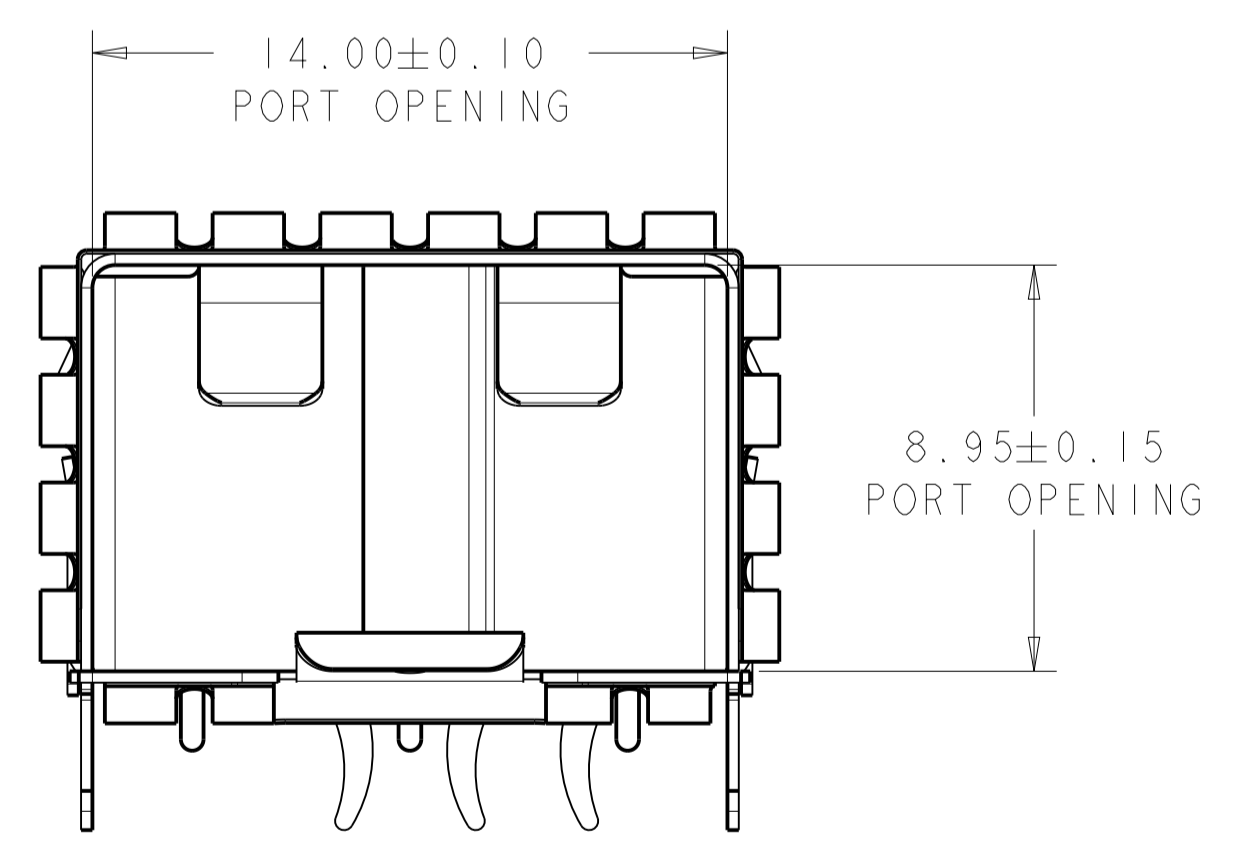
2007198-2  
SAME AS 2007198-1 EXCEPT AS SHOWN  
TOP VIEW



2007198-1/-9  
2007198-9 SAME AS 2007198-1, ONLY PACKAGE DIFFER  
SCALE 5:1



2007198-1/-9  
TOP VIEW



- 1 MATERIAL:  
CAGE ASSEMBLY - 0.25mm THICK NICKEL SILVER ALLOY.  
EMI SPRINGS - COPPER ALLOY.
- 2 FINISH  
EMI SPRINGS - 0.8um MIN MATTE TIN OVER 0.8um MIN NICKEL,  
NON-PLATED EDGES PERMISSIBLE.
- 3. MATES WITH SFP MSA COMPLIANT TRANSCEIVERS.
- 4 PADS AND VIAS CHASSIS GROUND.
- 5 DATUM AND BASIC DIMENSION ESTABLISHED BY CUSTOMER.
- 6. MINIMUM PC BOARD THICKNESS:  
SINGLE SIDED = 1.50 mm  
DOUBLE SIDED = 3.00 mm
- 7 REFERENCE APPLICATION SPEC. 114-13120, HOLE A, FOR  
RECOMMENDED DRILL HOLE DIAMETER AND PLATING THICKNESS.
- 8 REFERENCE APPLICATION SPEC. 114-13120, HOLE C, FOR  
RECOMMENDED DRILL HOLE DIAMETER AND PLATING THICKNESS.
- 9. NOTE DELETED
- 10 PACKAGE TYPE IS TAPE AND REEL.

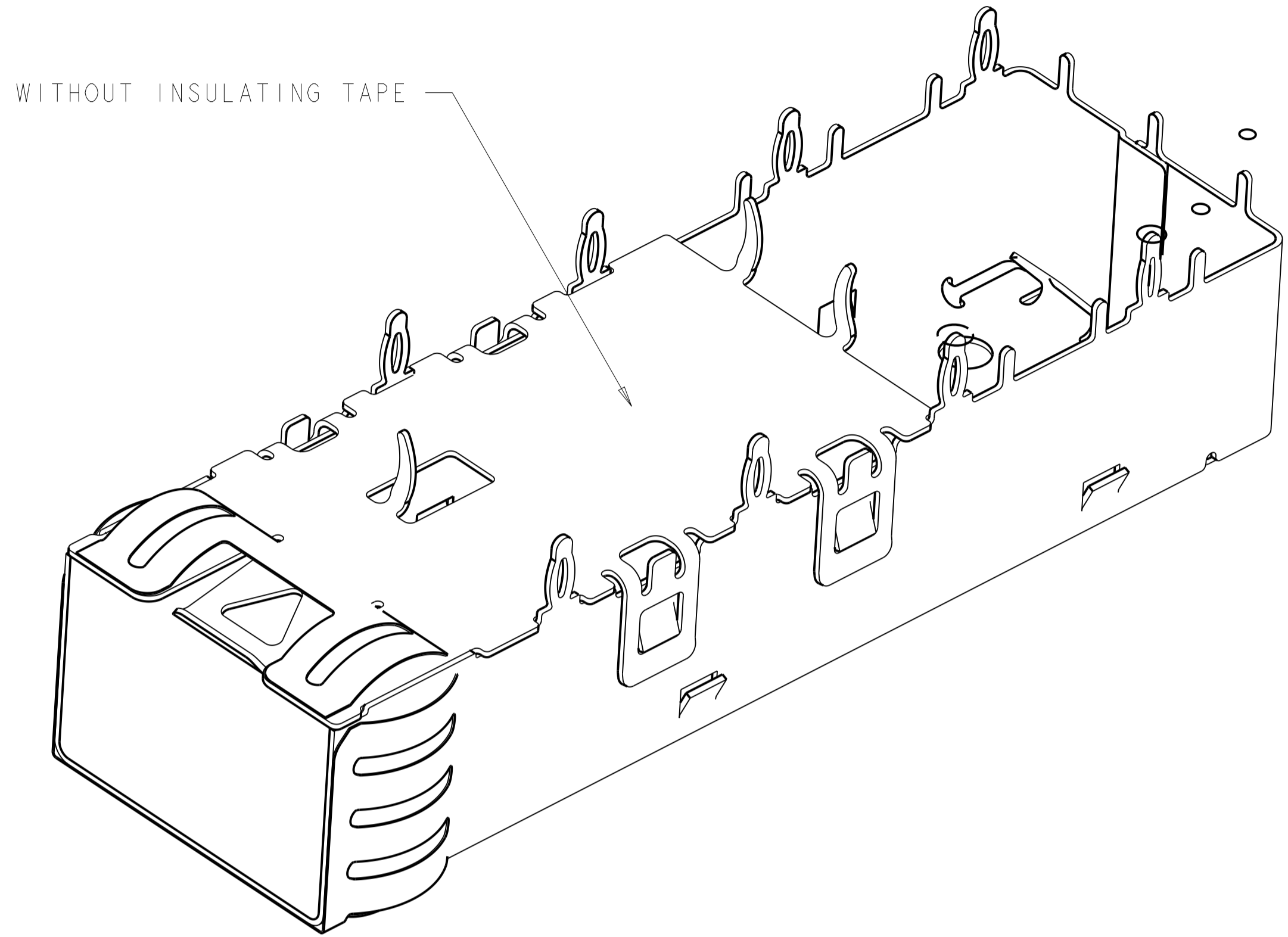
INSULATING TAPE	DESCRIPTION	PART NUMBER
W/O INSULATING TAPE	EMI HOLES	2007198-9
W/O INSULATING TAPE	NEW LANCE	2007198-7
W/ INSULATING TAPE	EMI HOLES	2007198-5
W/O INSULATING TAPE	HEATSINK OPENING	2007198-2
W/O INSULATING TAPE	EMI HOLES	2007198-1

THIS DRAWING IS A CONTROLLED DOCUMENT.

DIMENSIONS:	TOLERANCES UNLESS OTHERWISE SPECIFIED:	APVD	DATE
mm	0 PLC ±0.1 1 PLC ±0.1 2 PLC ±0.1 3 PLC ±0.05 4 PLC ±0.05 ANGLES ±0.05	M. SCHMITT M. SCHMITT B. WERTZ	07JUN07 07JUN07 07JUN07
MATERIAL	FINISH	PRODUCT SPEC	NAME
		108-2364	SFP+ 1X1 CAGE ASSEMBLY, PRESS-FIT PRESS-FIT, EMI SPRINGS
		APPLICATION SPEC	SIZE
		114-13120	A100779C=2007198
		WEIGHT	RESTRICTED TO
		Customer Drawing	SCALE 6:1 SHEET 1 OF 4 REV C3

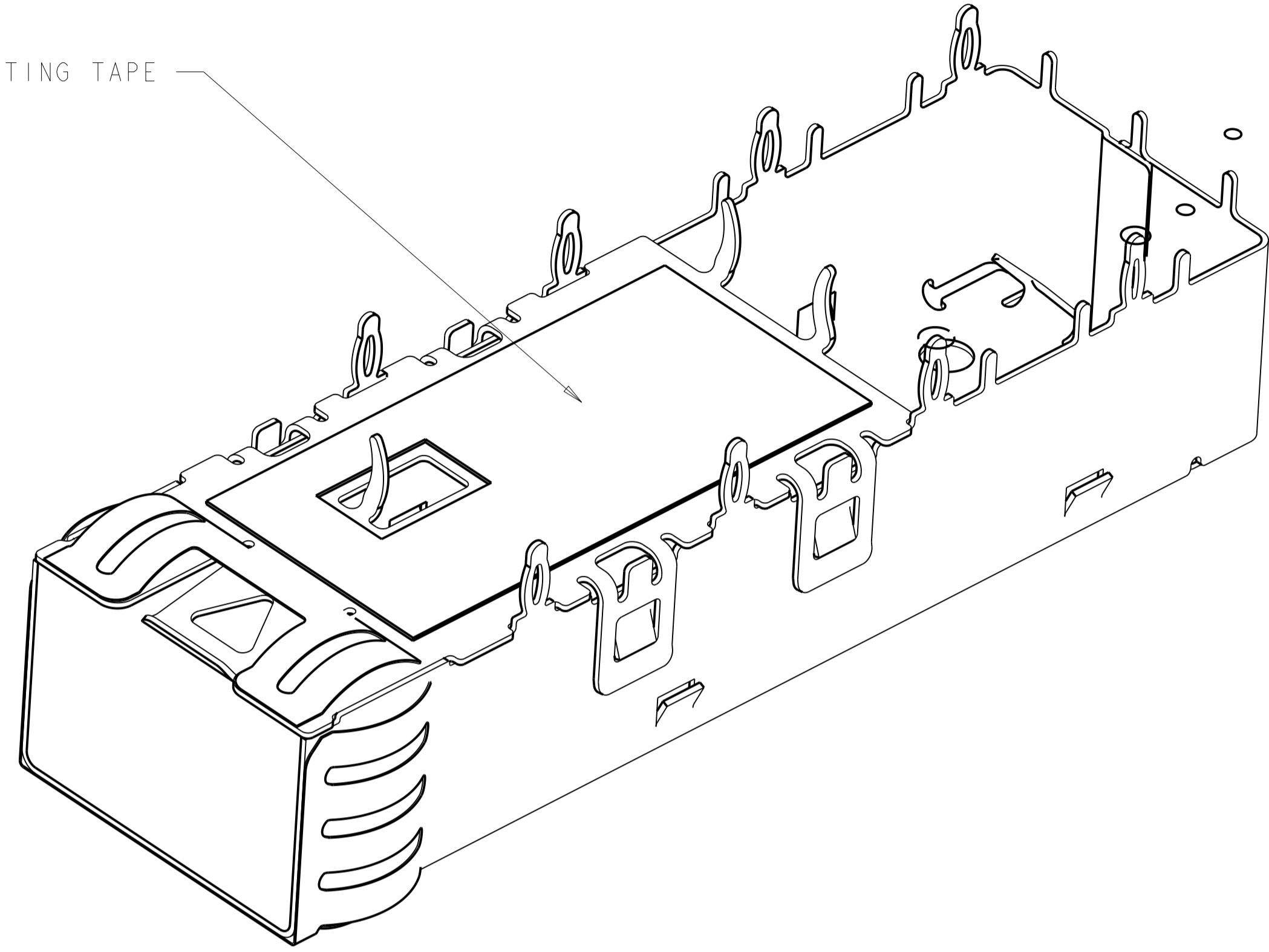
STC TE Connectivity

LOC		DIST		REVISIONS			
GP	00	P	LTN	DESCRIPTION	DATE	DMN	APVD
		-		SEE SHEET 1			

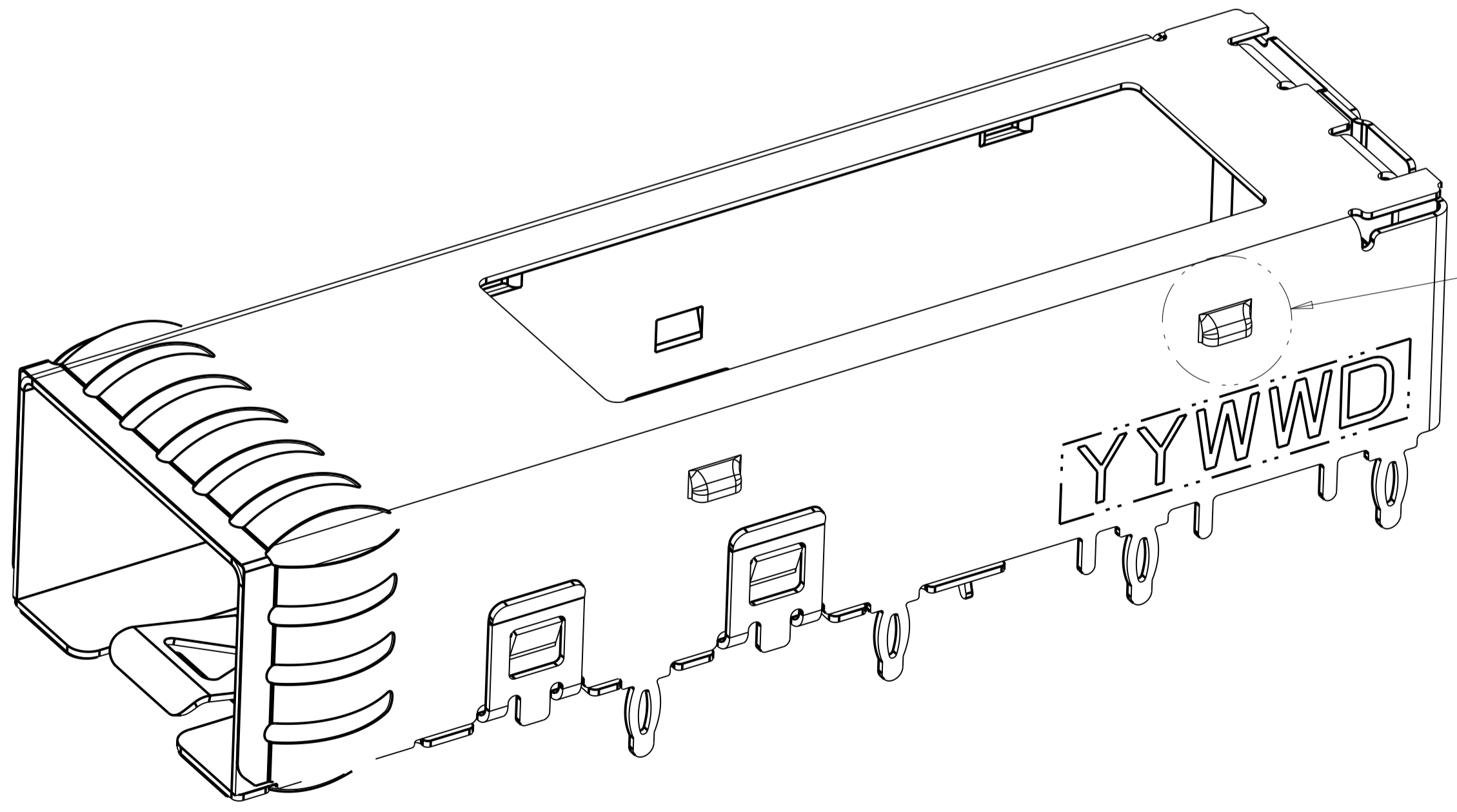


2007198-1,2,9 AS SHOWN WITHOUT INSULATING TAPE

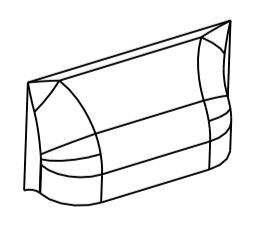
WITH INSULATING TAPE



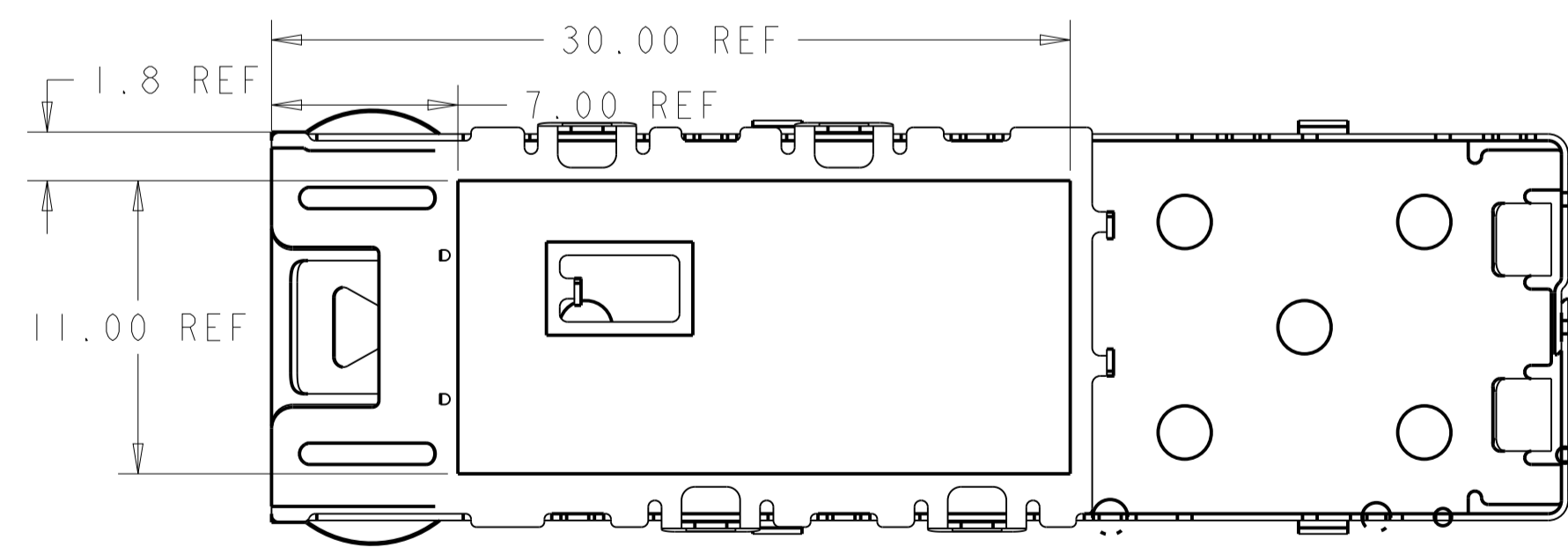
2007198-5 AS SHOWN WITH INSULATING TAPE



2007198-7  
 SAME AS 2007198-2 EXCEPT AS SHOWN  
 TOP VIEW



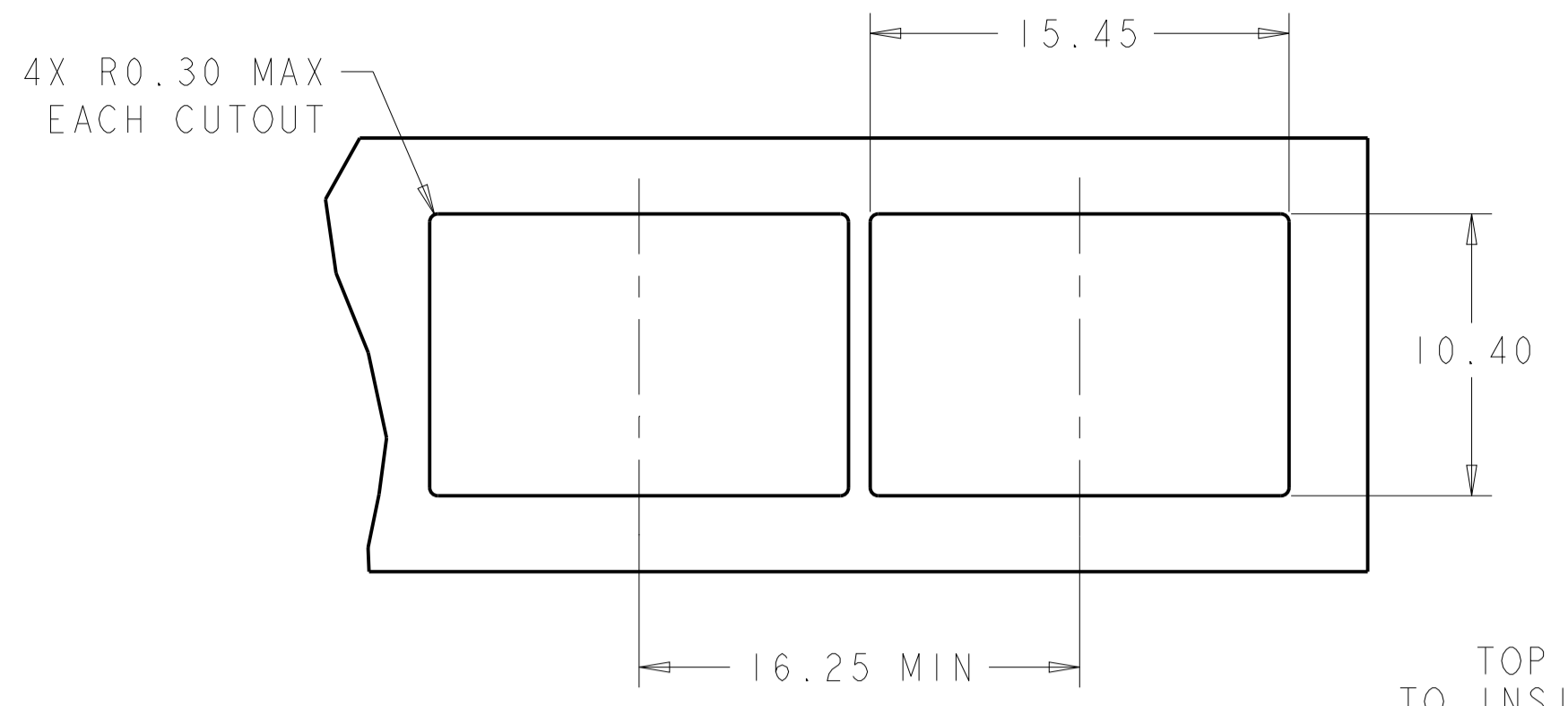
DETAIL C  
 SCALE 15:1



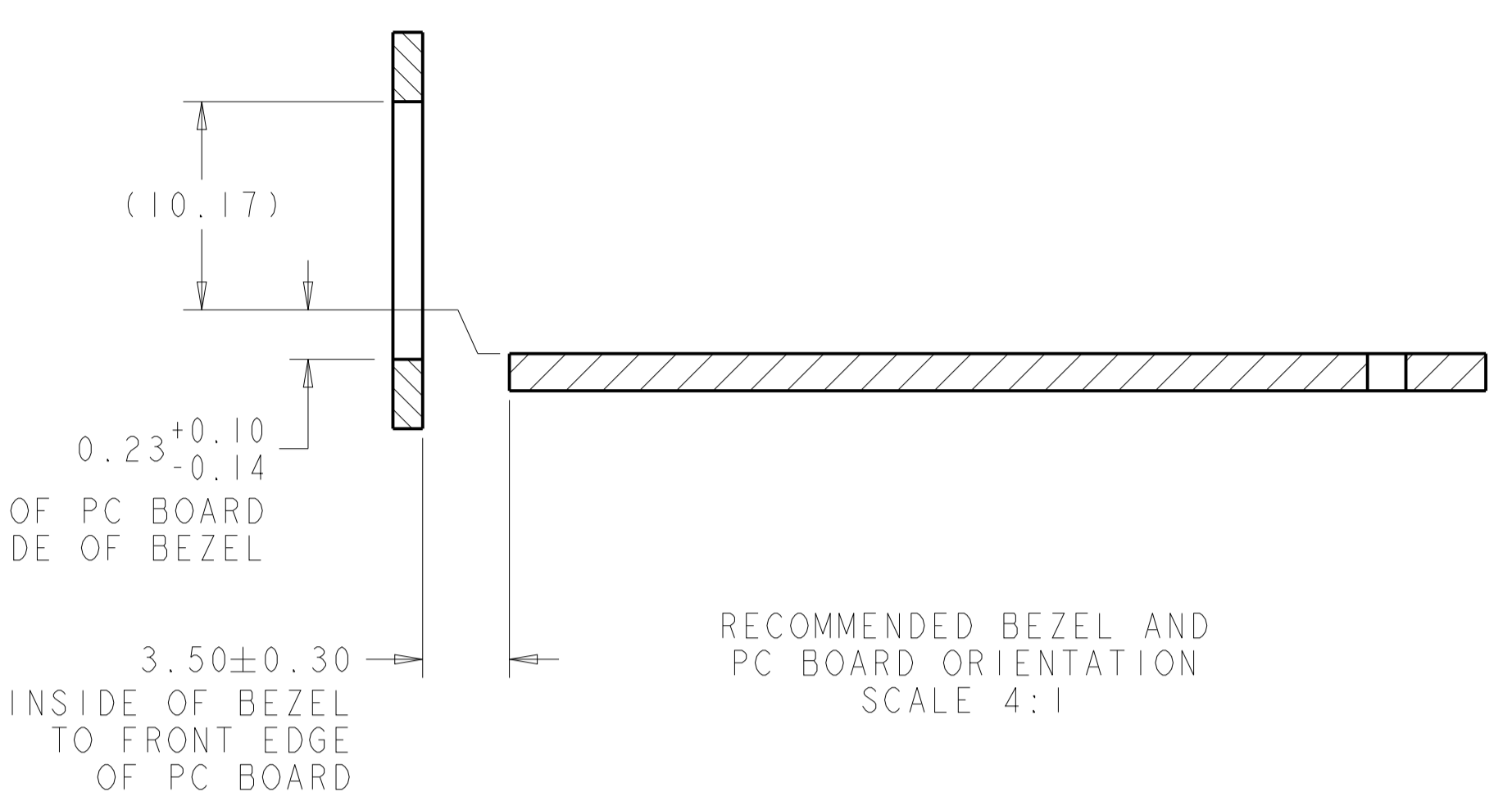
SCALE 4:1  
 2007198-5 AS SHOWN THE LOCATION OF THE TAPE

THIS DRAWING IS A CONTROLLED DOCUMENT.		DMN M. SCHMITT 07JUN07	<b>STE</b> TE Connectivity
DIMENSIONS: mm		CHK M. SCHMITT 07JUN07	
TOLERANCES UNLESS OTHERWISE SPECIFIED:		APVD B. WERTZ 07JUN07	NAME SFP+ IXI CAGE ASSEMBLY, PRESS-FIT PRESS-FIT, EMI SPRINGS
0 PLC ±0.1		PRODUCT SPEC	SIZE CAGE CODE DRAWING NO RESTRICTED TO
1 PLC ±0.1		108-2364	A100779C=2007198
2 PLC ±0.1		APPLICATION SPEC	SCALE 6:1 SHEET 2 OF 4 REV C.3
3 PLC ±0.05		114-13120	
4 PLC ±0.05		WEIGHT	
ANGLES ±0.05		Customer Drawing	
FINISH			

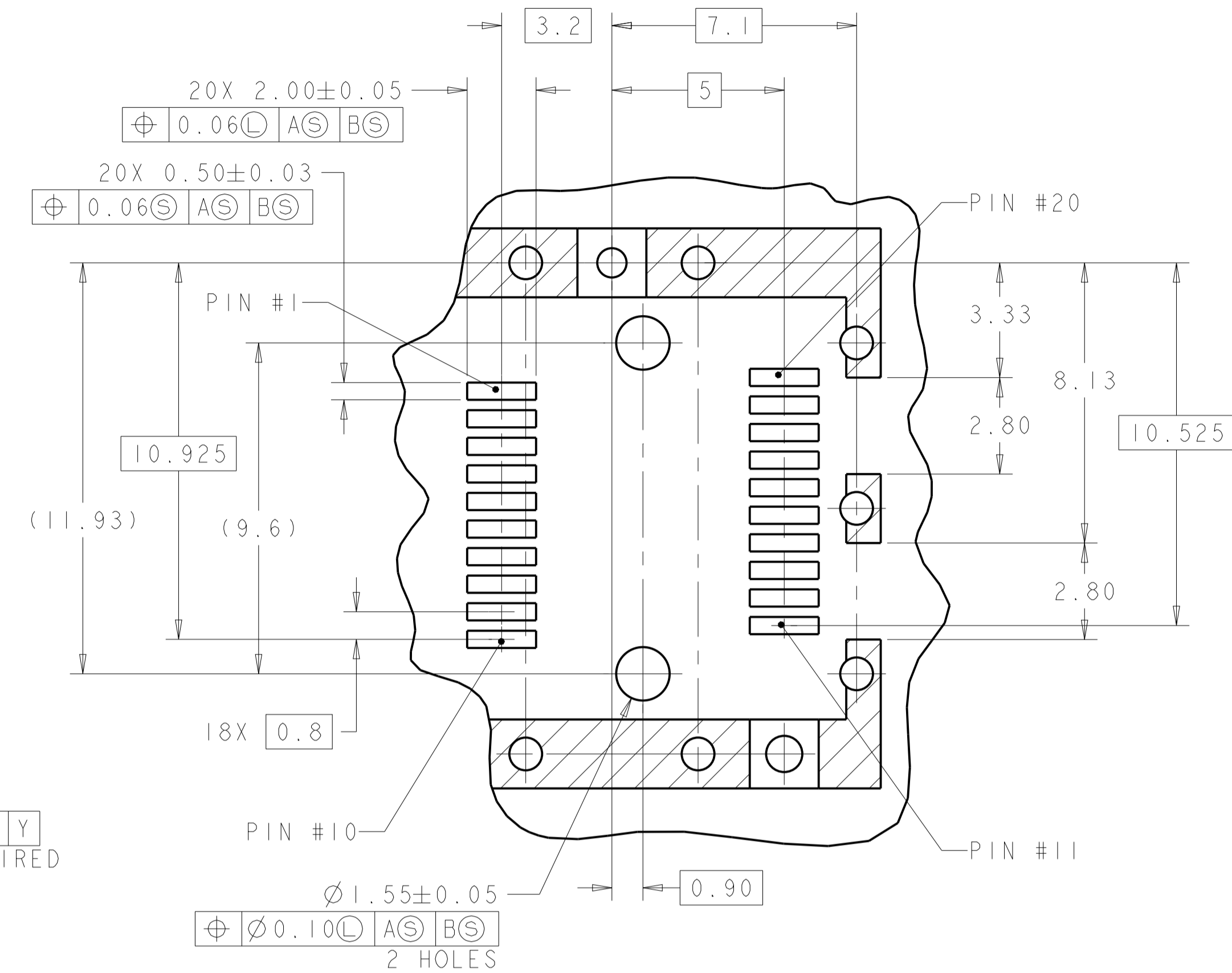
LOC	DIST	REV	DATE	BY	APPV
GP	00				



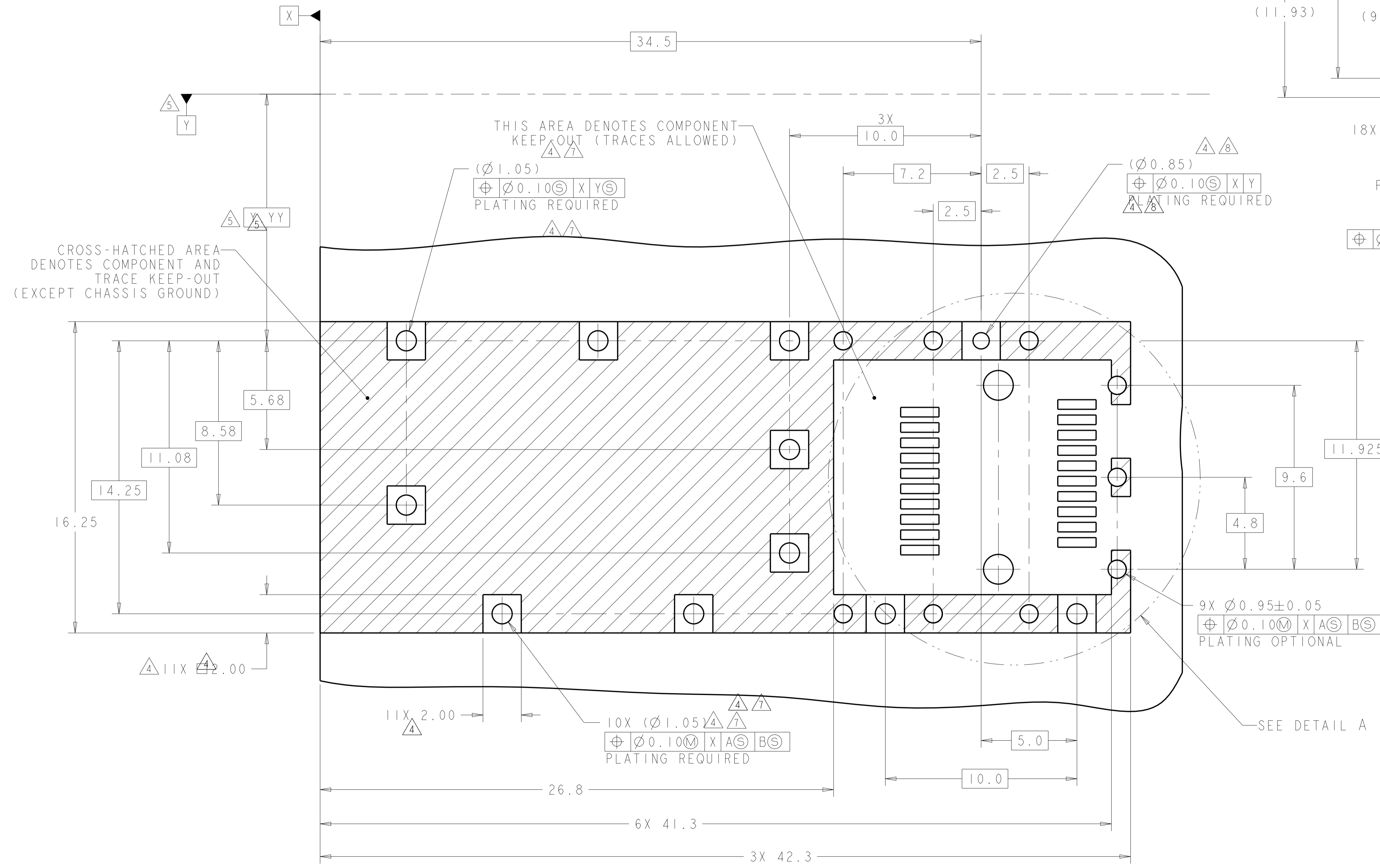
RECOMMENDED BEZEL CUTOUT  
SCALE 4:1



RECOMMENDED BEZEL AND  
PC BOARD ORIENTATION  
SCALE 4:1



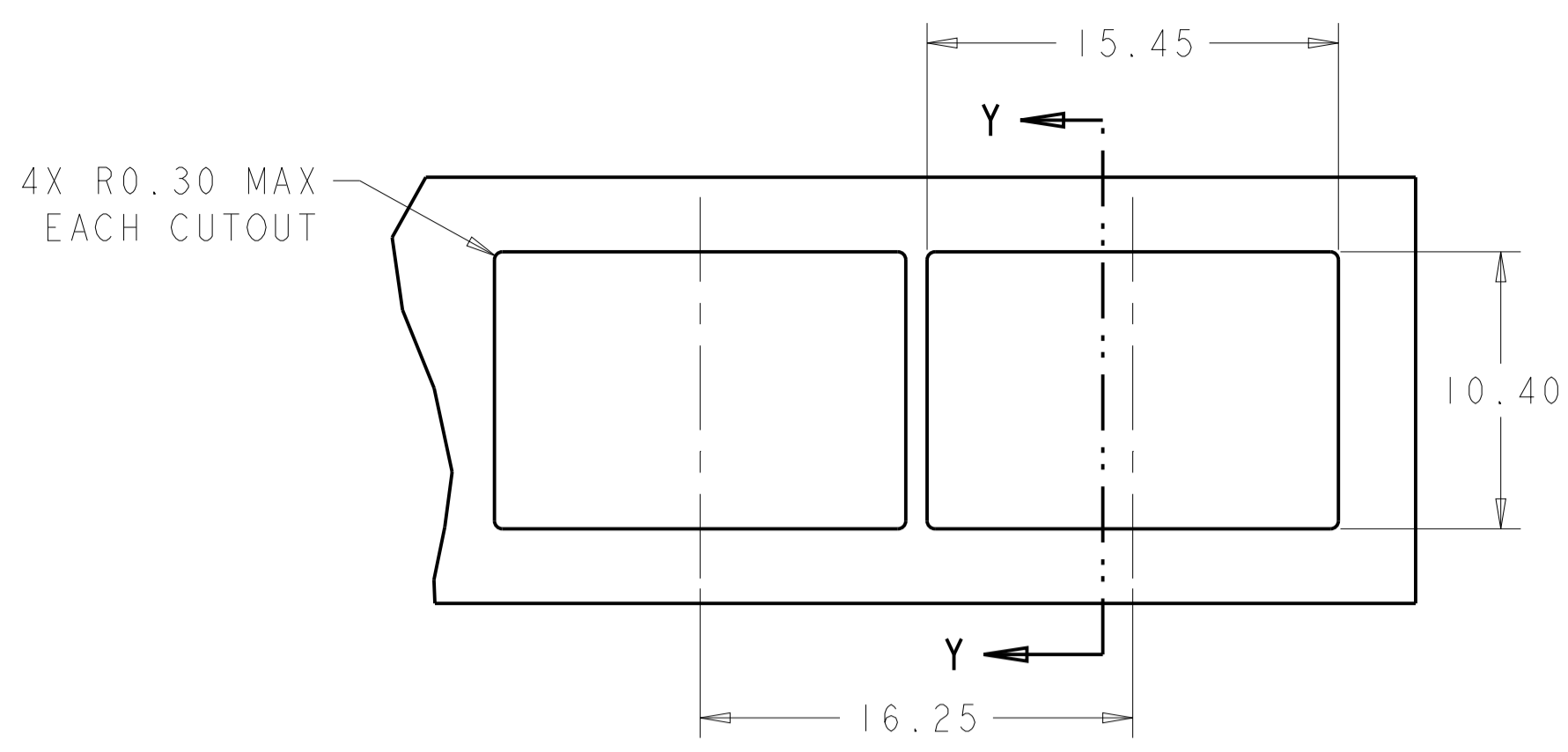
DETAIL A  
SCALE 8:1



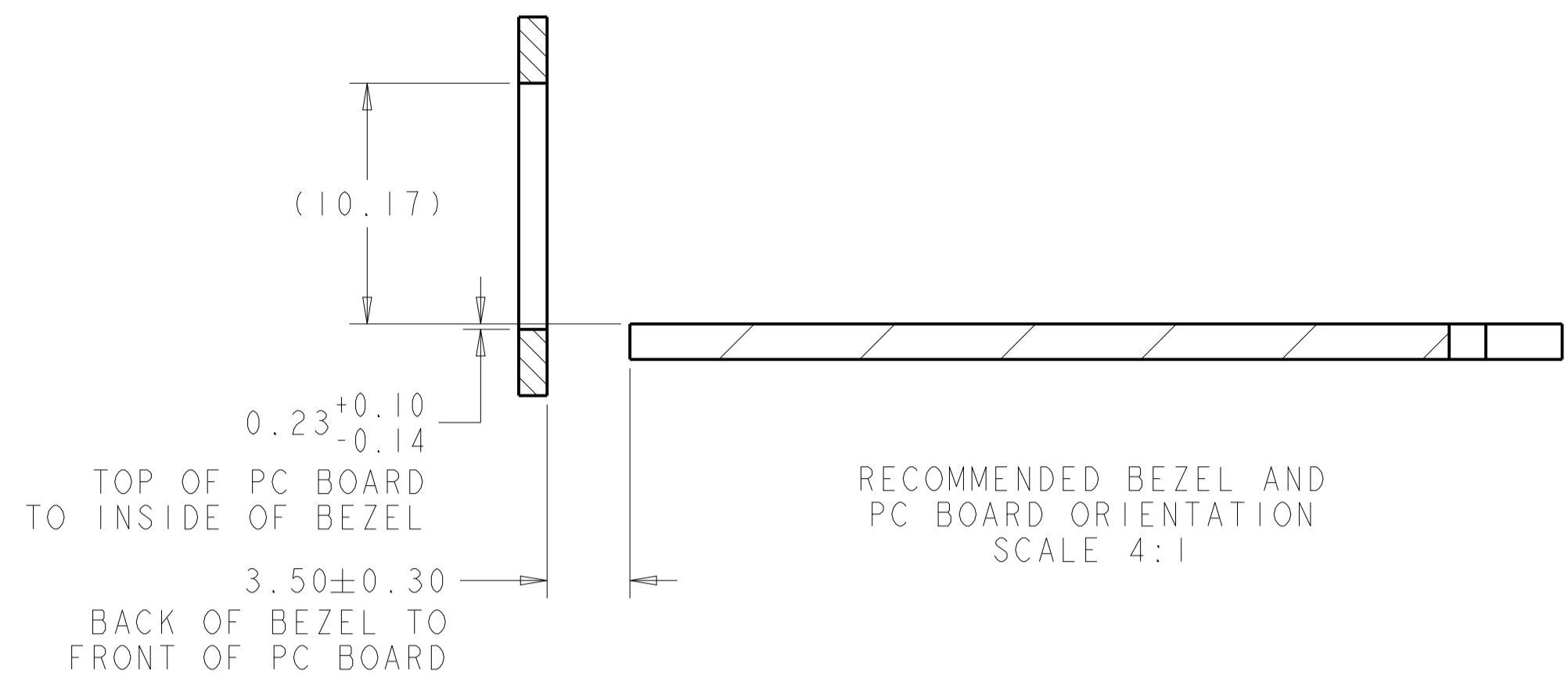
RECOMMENDED PCB LAYOUT  
SCALE 8:1

THIS DRAWING IS A CONTROLLED DOCUMENT.		OWN: M. SCHMITT 07JUN07	TE Connectivity
DIMENSIONS: mm		CHK: M. SCHMITT 07JUN07	
TOLERANCES UNLESS OTHERWISE SPECIFIED:		APPV: B. WERTZ 07JUN07	NAME: SFP+ 1X1 CAGE ASSEMBLY, PRESS-FIT PRESS-FIT, EMI SPRINGS
0 PLC	±0.1	PRODUCT SPEC	108-2364
1 PLC	±0.1	APPLICATION SPEC	114-13120
2 PLC	±0.1	WEIGHT	A100779C=2007198
3 PLC	±0.05	Customer Drawing	SCALE 6:1 SHEET 3 OF 4 REV C3
4 PLC	±0.05		
ANGLES	±0.05		

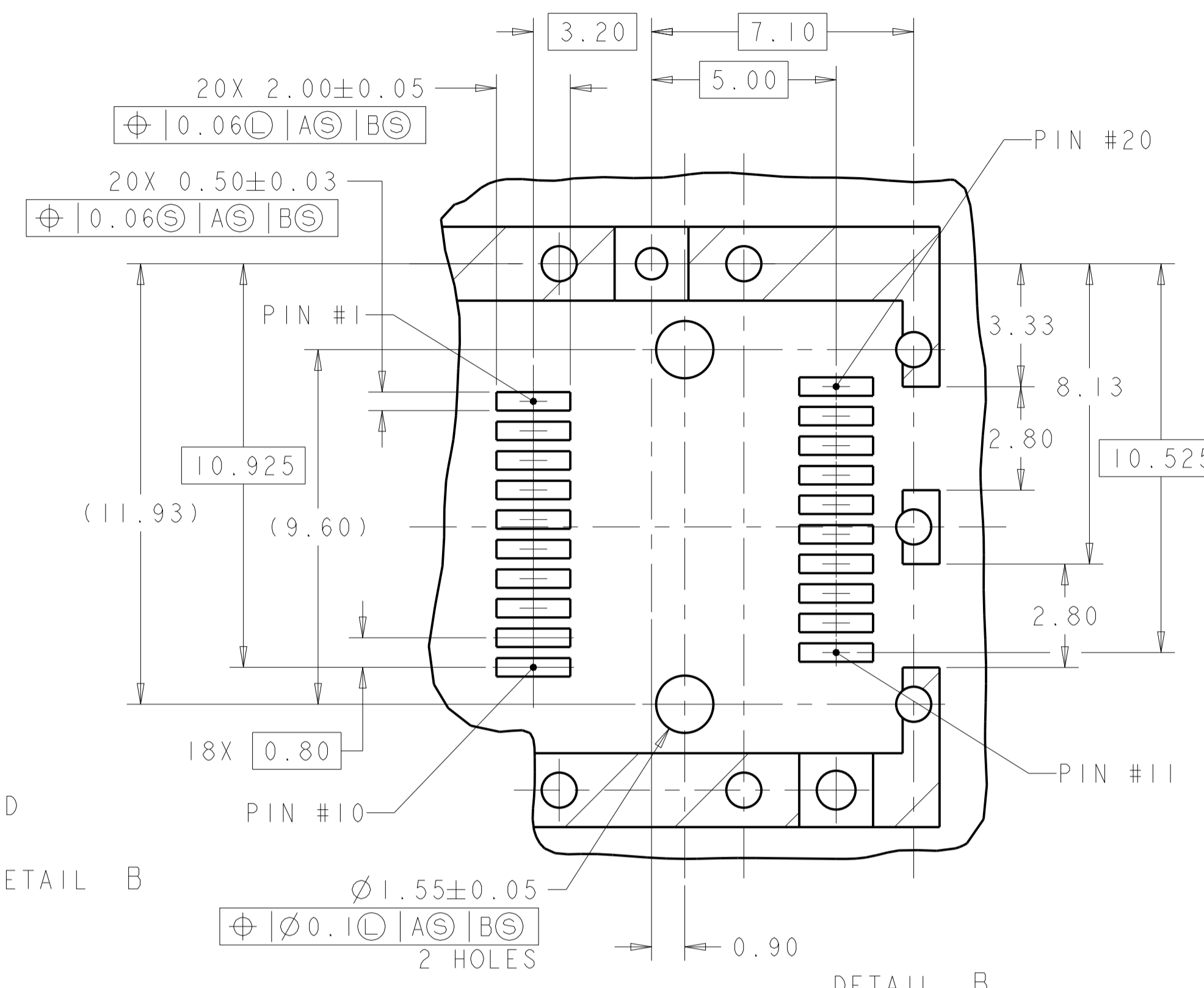
LOC	DIST	REV	DATE	APP'D	DESCRIPTION
GP	00				SEE SHEET 1



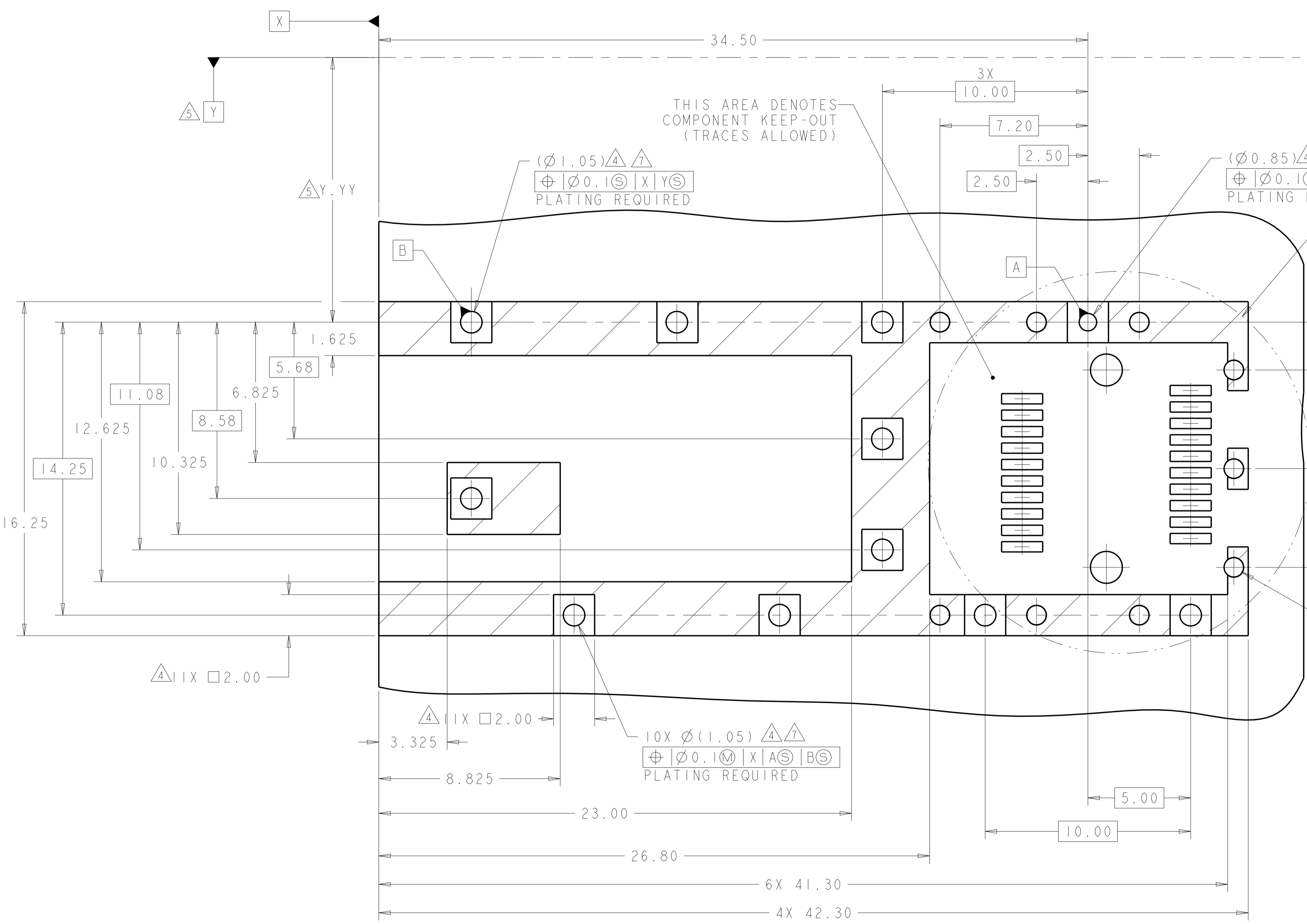
RECOMMENDED BEZEL CUTOUT  
SCALE 4:1



RECOMMENDED BEZEL AND  
PC BOARD ORIENTATION  
SCALE 4:1



DETAIL B  
SCALE 8:1



RECOMMENDED PCB LAYOUT FOR WITH  
INSULATING TAPE PART  
SCALE 8:1

THIS DRAWING IS A CONTROLLED DOCUMENT.		OWN M. SCHMITT 07JUN07	 TE Connectivity
DIMENSIONS:		CHK M. SCHMITT 07JUN07	
mm	TOLERANCES UNLESS OTHERWISE SPECIFIED:	APP'D B. WERTZ 07JUN07	NAME SFP+ IXI CAGE ASSEMBLY, PRESS-FIT PRESS-FIT, EMI SPRINGS WITH HEATSINK
	0 PLC ±0.1 1 PLC ±0.1 2 PLC ±0.1 3 PLC ±0.05 4 PLC ±0.05 ANGLES ±0.05	PRODUCT SPEC 108-2364	SIZE A100779C=2007198
MATERIAL	FINISH	APPLICATION SPEC 114-13120	RESTRICTED TO
		WEIGHT	SCALE 6:1 SHEET 4 OF 4 REV C3
		Customer Drawing	

## X-ON Electronics

Largest Supplier of Electrical and Electronic Components

*Click to view similar products for [I/O Connectors](#) category:*

*Click to view products by [TE Connectivity](#) manufacturer:*

Other Similar products are found below :

[571763P](#) [72.250.1628.2](#) [72.250.2428.2](#) [74720-0505](#) [76.350.0729.0](#) [76871-1403](#) [FCN-244F080-G/1](#) [FCN-260A9920](#) [MP-5T180MUNNA-005](#)  
[PCR-E36PM](#) [PCS-XE26MA+](#) [G38A71314B](#) [1571250010](#) [157-22500-3](#) [MS3471L14-19P L/C](#) [91-569786-35H](#) [172501-4002](#) [172501-6002](#)  
[FCN-260C008-A/L0](#) [FCN-260C024-AL0](#) [FCN-261Z008](#) [2000314-1](#) [200331-1](#) [PCR-E36FC+](#) [PCS-E28FS+](#) [PCS-XE26SLFD+](#) [PCS-](#)  
[XE26SLFDT+](#) [G730VID08BDC24](#) [U90B2054081210](#) [UE86K842720321](#) [38113800006](#) [DP3AR020WQ1R200](#) [Z4.102.0680.0](#) [500-1040](#)  
[500-1052](#) [500-1054](#) [ZP-4008-66L](#) [0709821002](#) [10-565995-597N](#) [DX40-20P\(55\)](#) [5554841-1](#) [U90B3054061110](#) [U65-E04-4020](#)  
[ZPF00000000097891](#) [557-262M2-06C](#) [747360449](#) [10099439-003C-TRLF](#) [10137239-0021LF](#) [E9320-001-01](#) [10137239-0011LF](#)