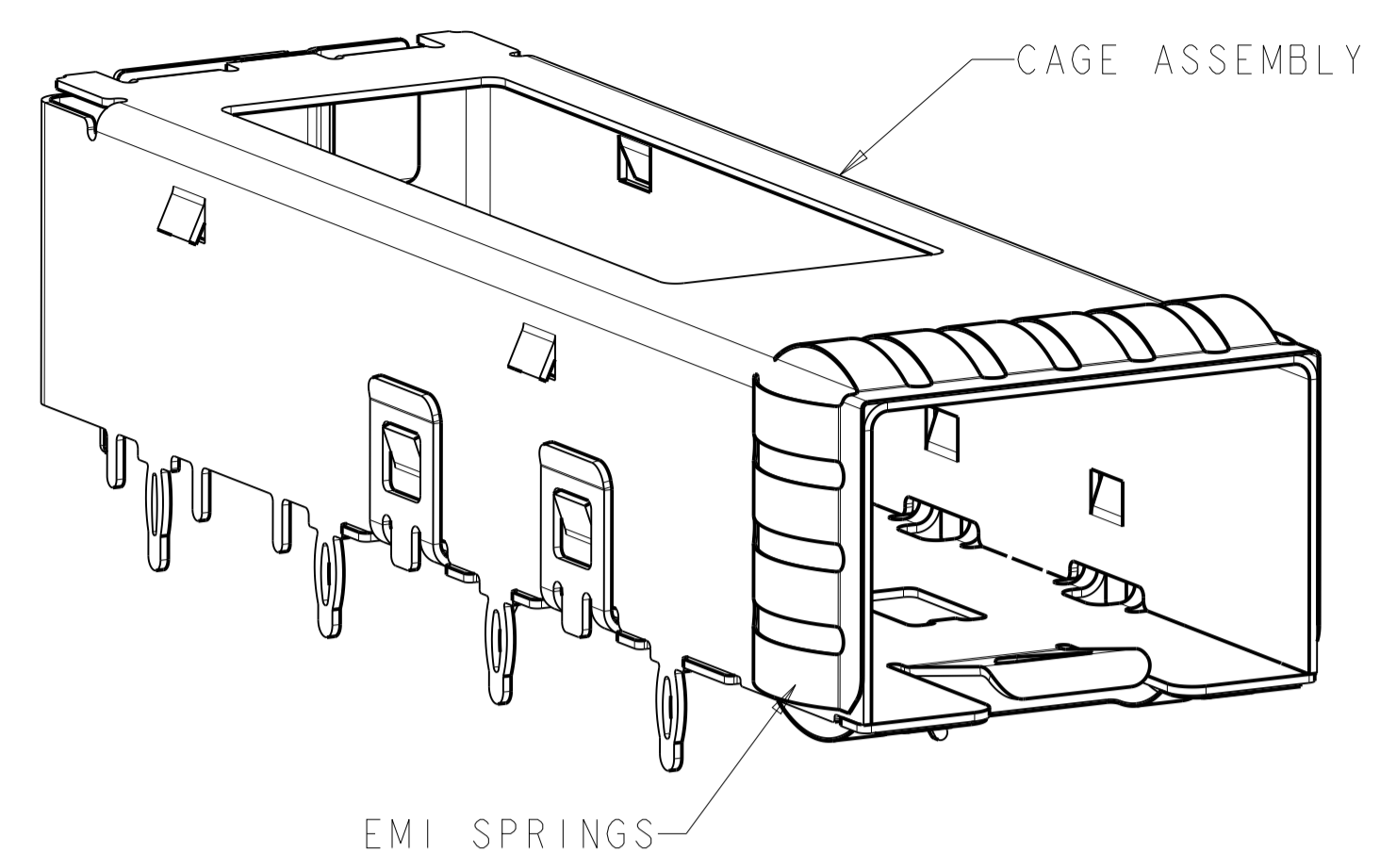
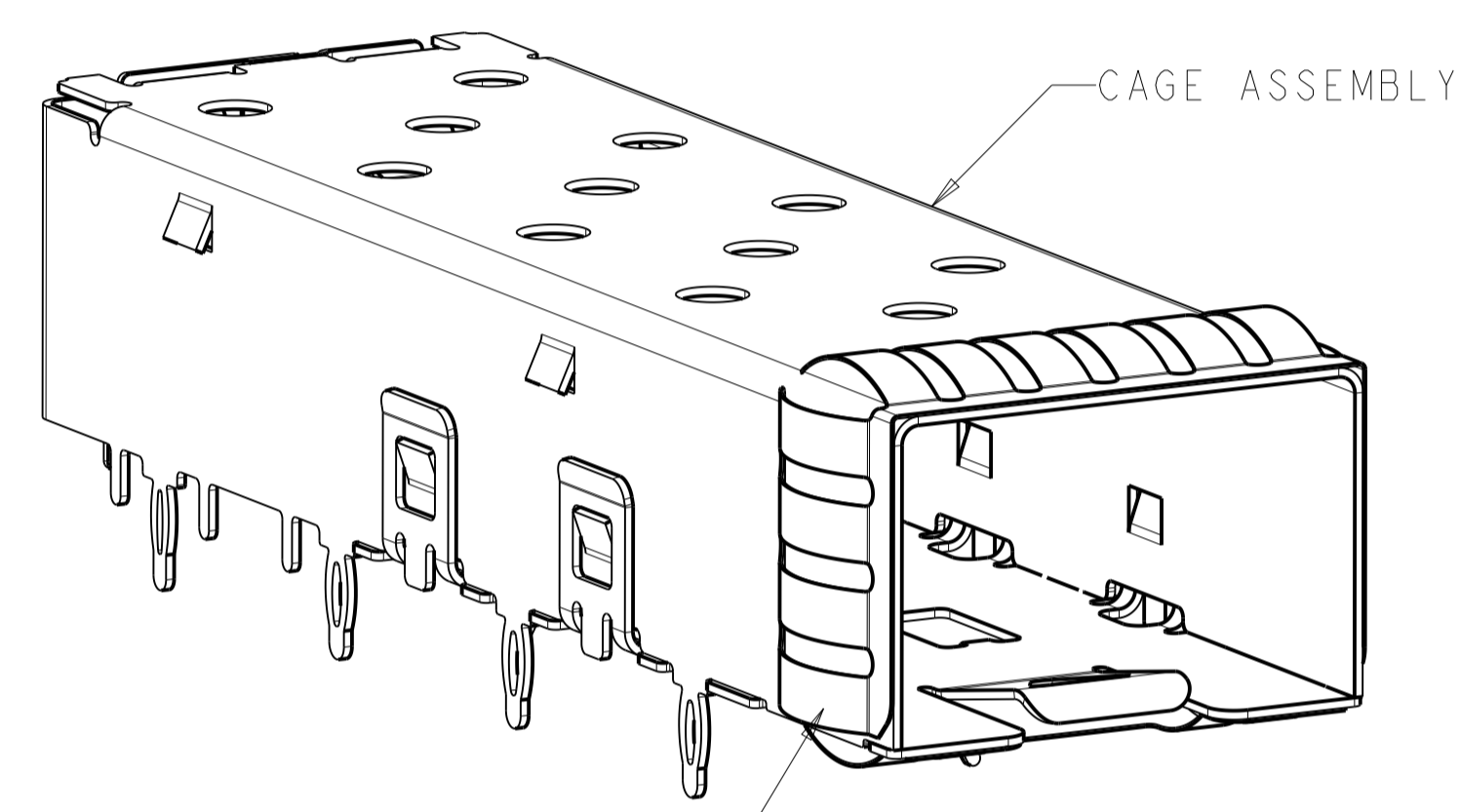


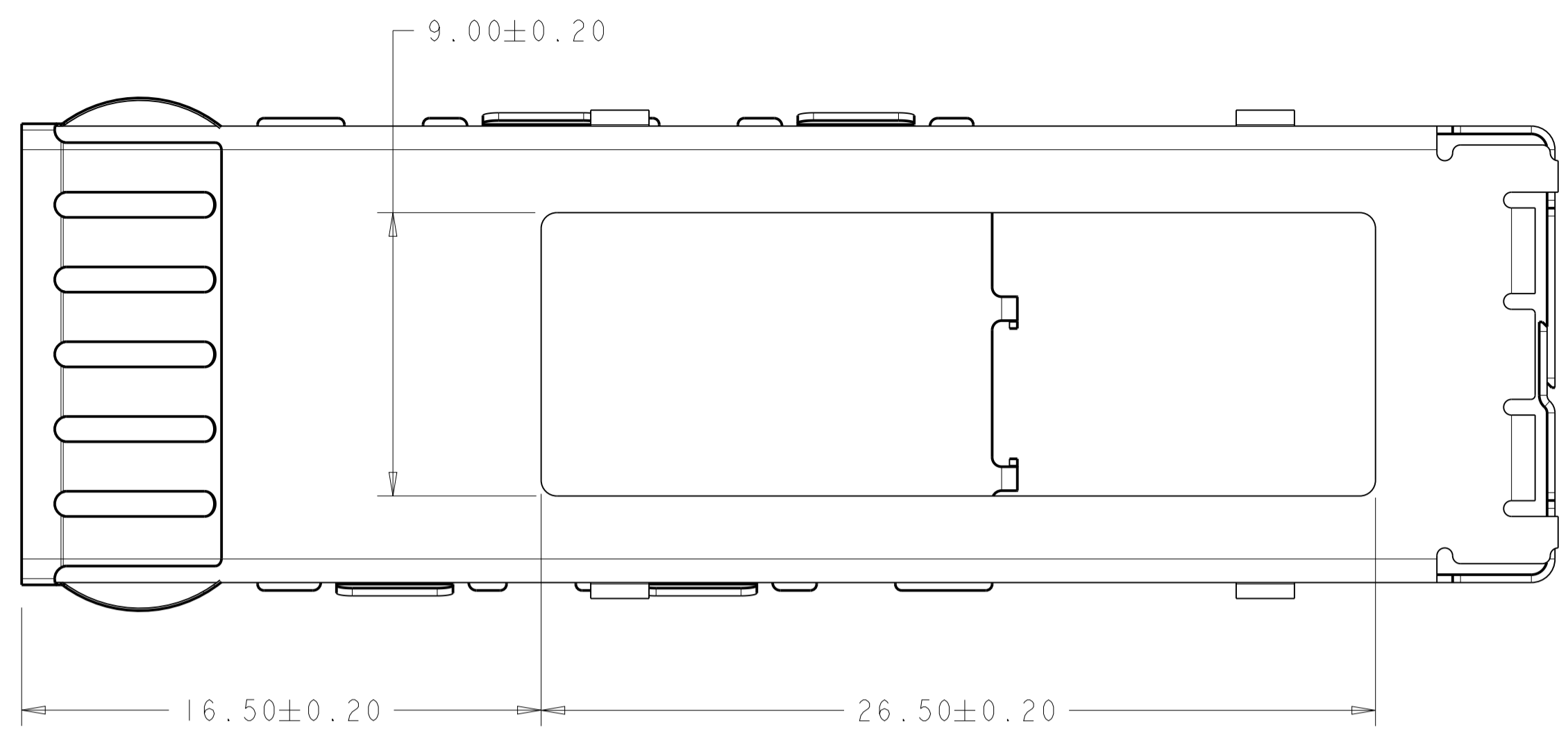
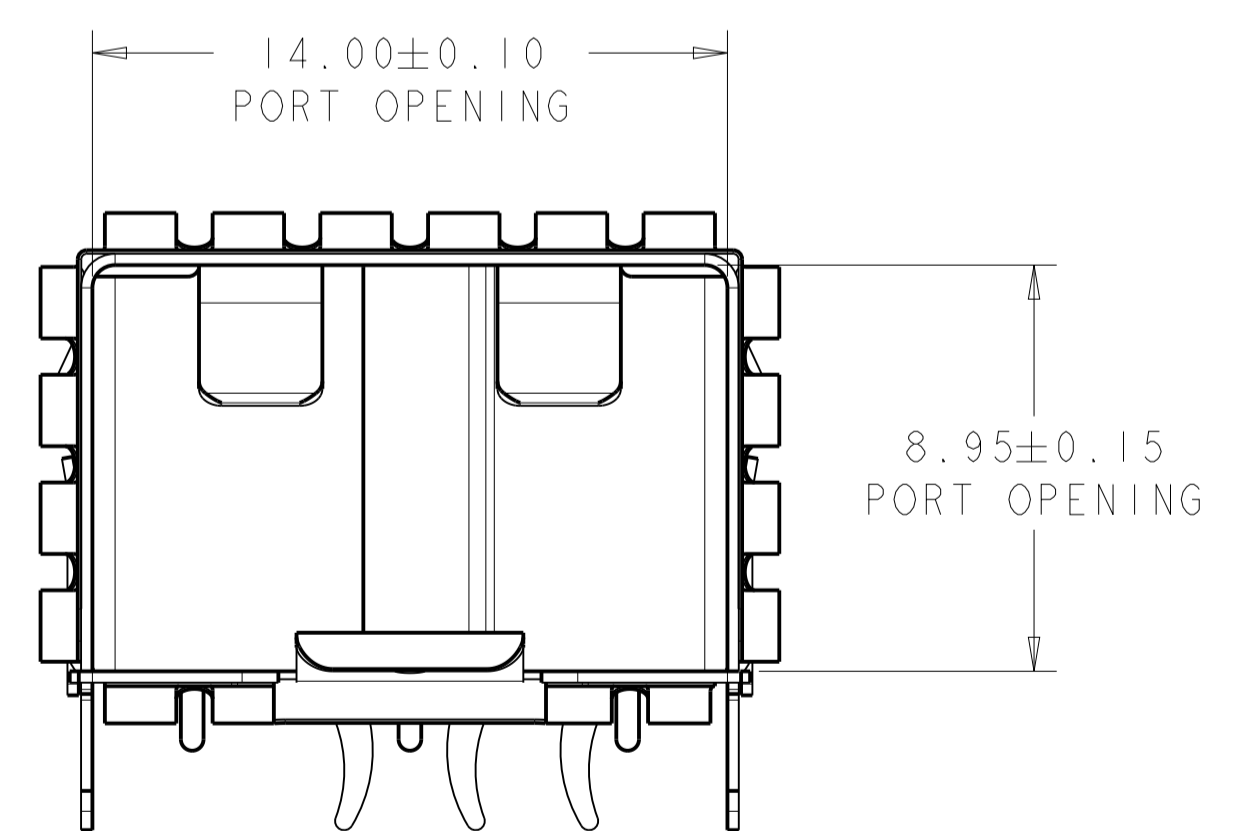
LOC	DIST	REVISIONS			
GP	00	REV	DATE	BY	APPV
		C	07DEC2011	TX	AC
		C1	09SEP2013	PP	SH
		C2	16JAN2014	PP	SH
		C3	24MAR2014	JZ	SH



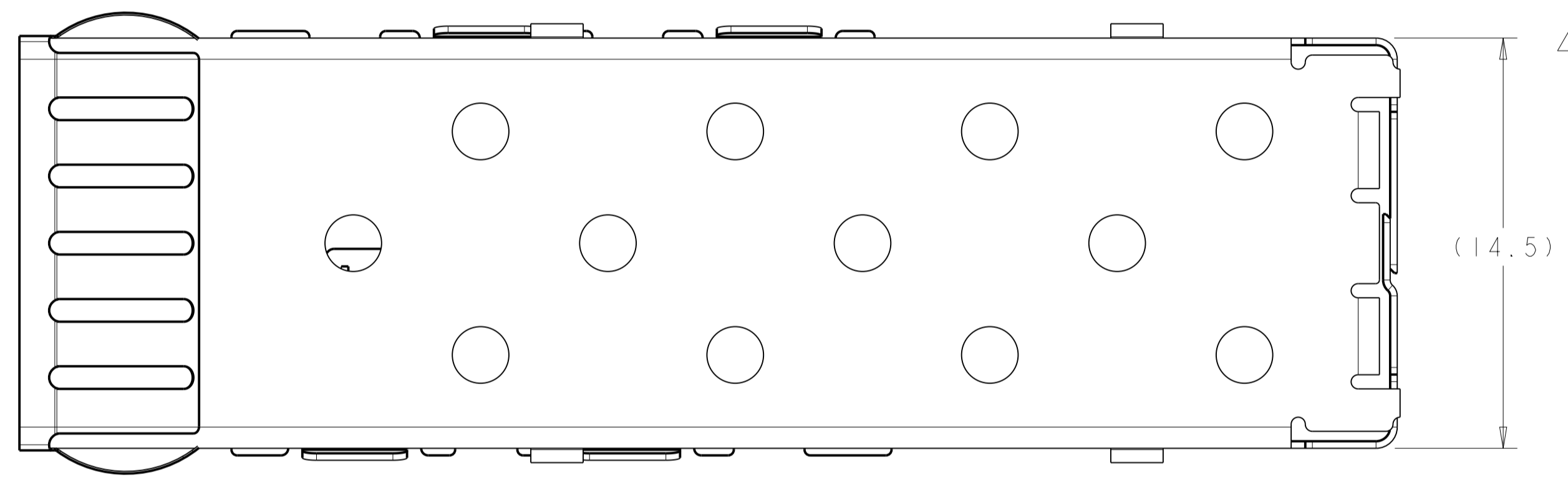
2007198-2
SCALE 5:1



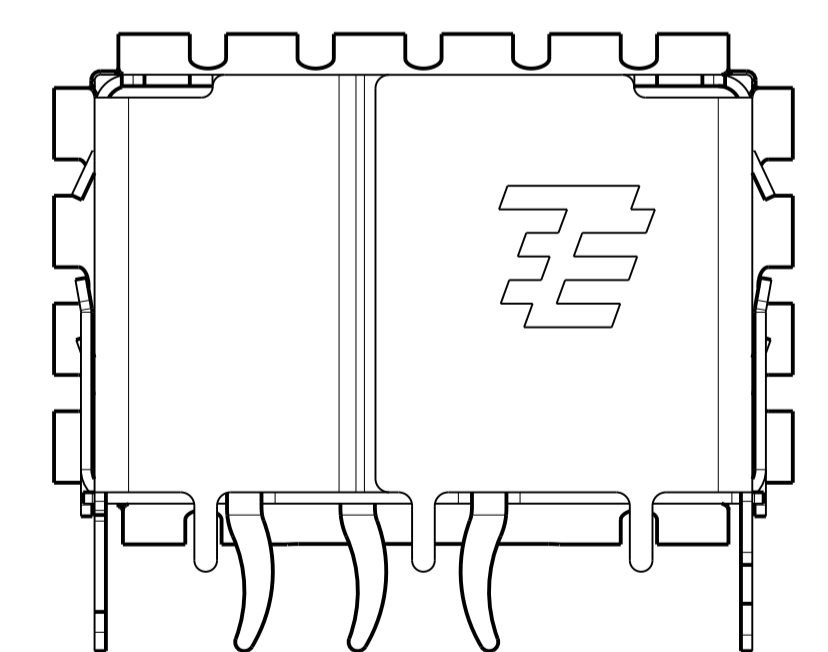
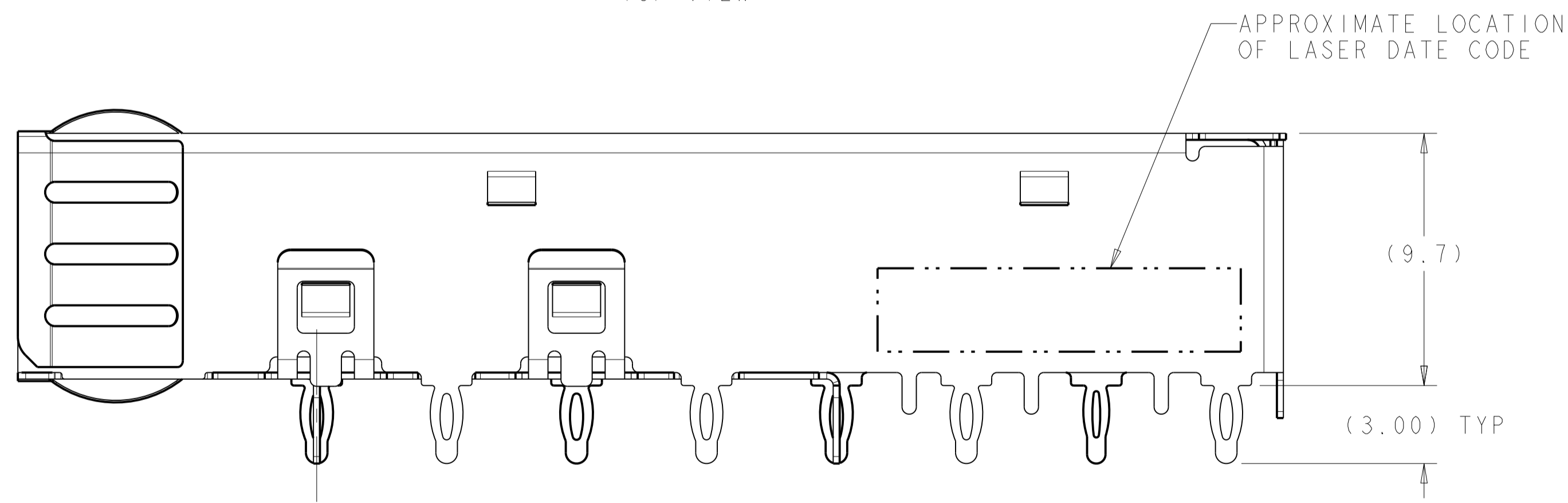
2007198-1/-9
2007198-9 SAME AS 2007198-1, ONLY PACKAGE DIFFER
SCALE 5:1



2007198-2
SAME AS 2007198-1 EXCEPT AS SHOWN
TOP VIEW



2007198-1/-9
TOP VIEW



- 1. MATERIAL:
CAGE ASSEMBLY - 0.25mm THICK NICKEL SILVER ALLOY.
EMI SPRINGS - COPPER ALLOY.
- 2. FINISH
EMI SPRINGS - 0.8um MIN MATTE TIN OVER 0.8um MIN NICKEL,
NON-PLATED EDGES PERMISSIBLE.
- 3. MATES WITH SFP MSA COMPLIANT TRANSCEIVERS.
- 4. PADS AND VIAS CHASSIS GROUND.
- 5. DATUM AND BASIC DIMENSION ESTABLISHED BY CUSTOMER.
- 6. MINIMUM PC BOARD THICKNESS:
SINGLE SIDED = 1.50 mm
DOUBLE SIDED = 3.00 mm
- 7. REFERENCE APPLICATION SPEC. 114-13120, HOLE A, FOR
RECOMMENDED DRILL HOLE DIAMETER AND PLATING THICKNESS.
- 8. REFERENCE APPLICATION SPEC. 114-13120, HOLE C, FOR
RECOMMENDED DRILL HOLE DIAMETER AND PLATING THICKNESS.
- 9. NOTE DELETED
- 10. PACKAGE TYPE IS TAPE AND REEL.

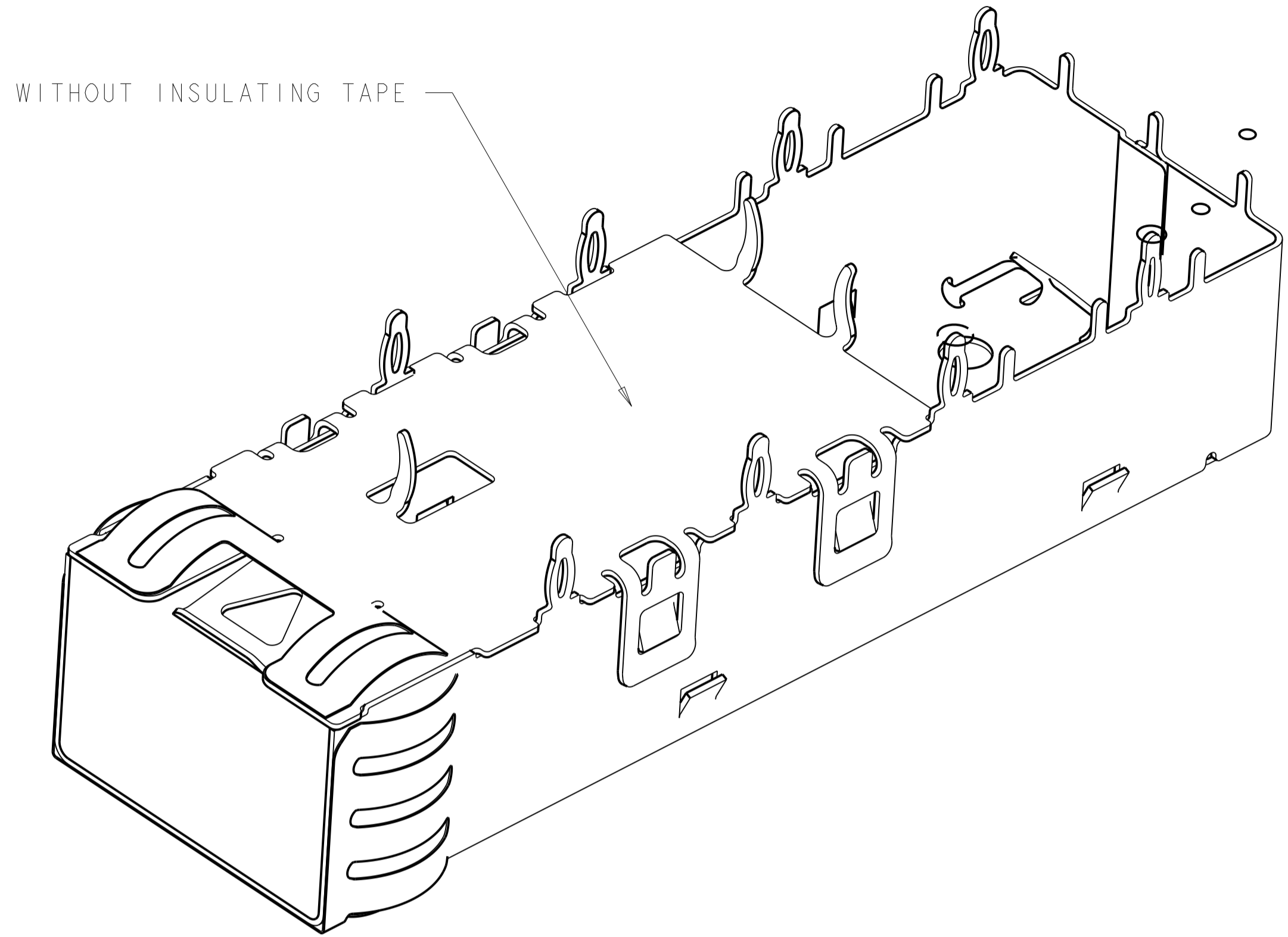
INSULATING TAPE	DESCRIPTION	PART NUMBER
W/O INSULATING TAPE	EMI HOLES	2007198-9
W/O INSULATING TAPE	NEW LANCE	2007198-7
W/ INSULATING TAPE	EMI HOLES	2007198-5
W/O INSULATING TAPE	HEATSINK OPENING	2007198-2
W/O INSULATING TAPE	EMI HOLES	2007198-1

THIS DRAWING IS A CONTROLLED DOCUMENT.

DIMENSIONS:	TOLERANCES UNLESS OTHERWISE SPECIFIED:	DRW: M. SCHMITT 07JUN07	CHK: M. SCHMITT 07JUN07	 TE Connectivity NAME: SFP+ 1X1 CAGE ASSEMBLY, PRESS-FIT PRESS-FIT, EMI SPRINGS PRODUCT SPEC: 108-2364 APPLICATION SPEC: 114-13120 SIZE: CAGE CODE DRAWING NO: A100779C=2007198 WEIGHT: - Customer Drawing
mm	0 PLC ±0.1 1 PLC ±0.1 2 PLC ±0.1 3 PLC ±0.05 4 PLC ±0.05 ANGLES ±0.05	APV: B. WERTZ 07JUN07	APV: B. WERTZ 07JUN07	
		PRODUCT SPEC	APPLICATION SPEC	
		108-2364	114-13120	

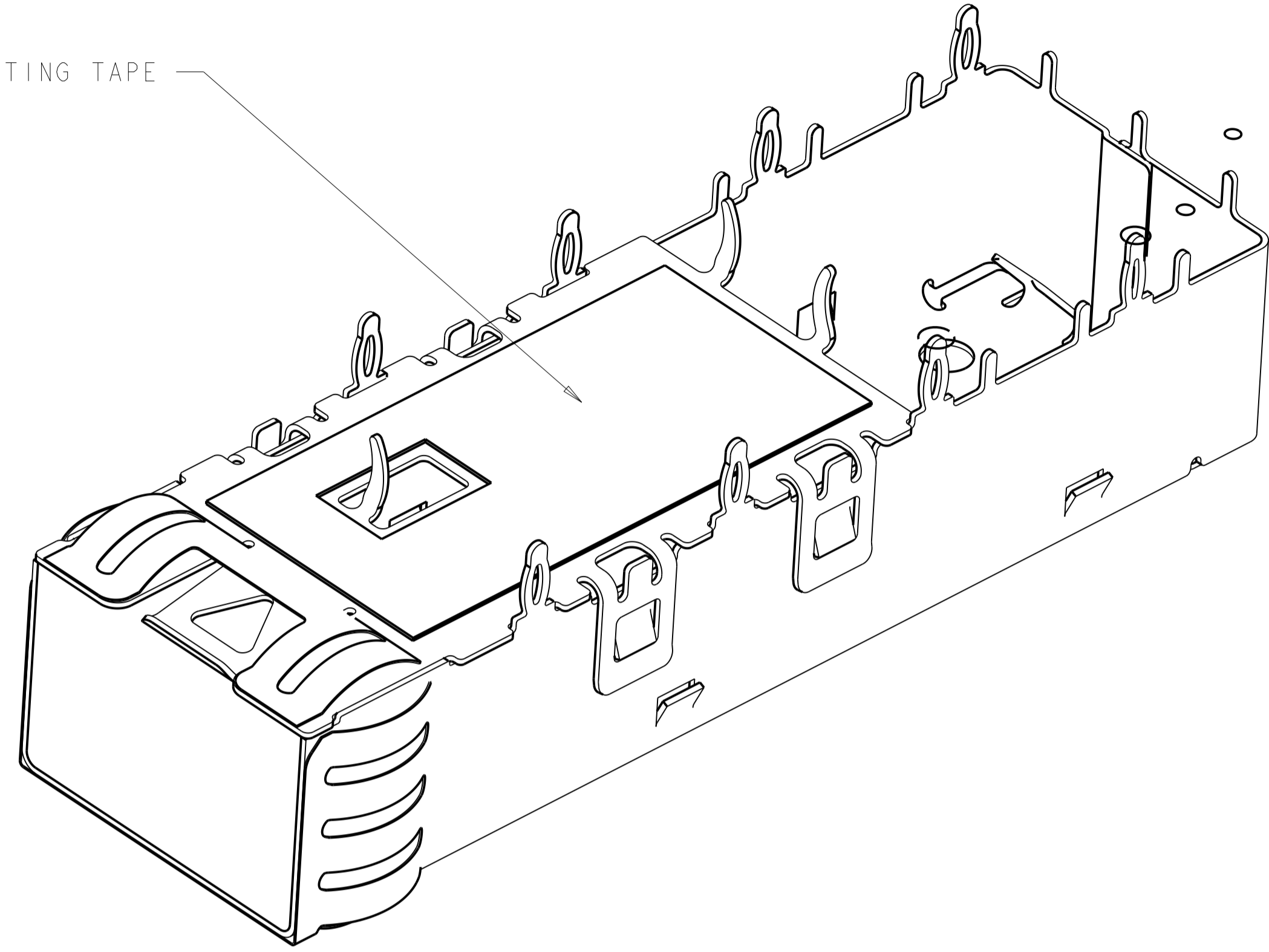
SCALE 6:1 SHEET 1 OF 4 REV C.3

LOC		DIST		REVISIONS			
GP	00	P	LTN	DESCRIPTION	DATE	DMN	APVD
		-		SEE SHEET 1			

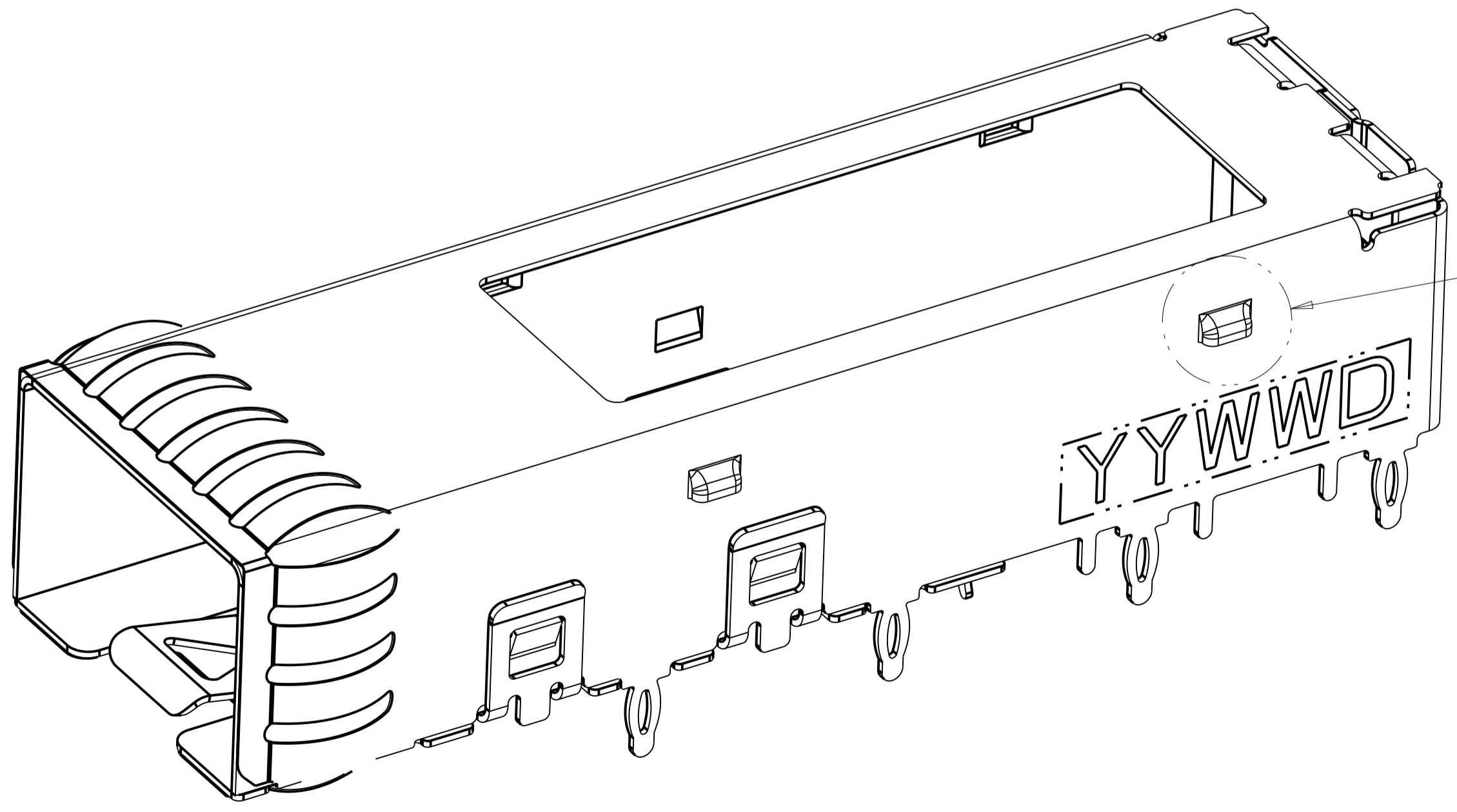


2007198-1,2,9 AS SHOWN WITHOUT INSULATING TAPE

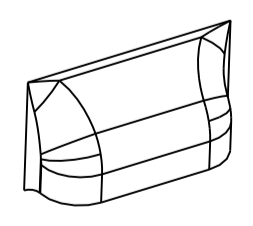
WITH INSULATING TAPE



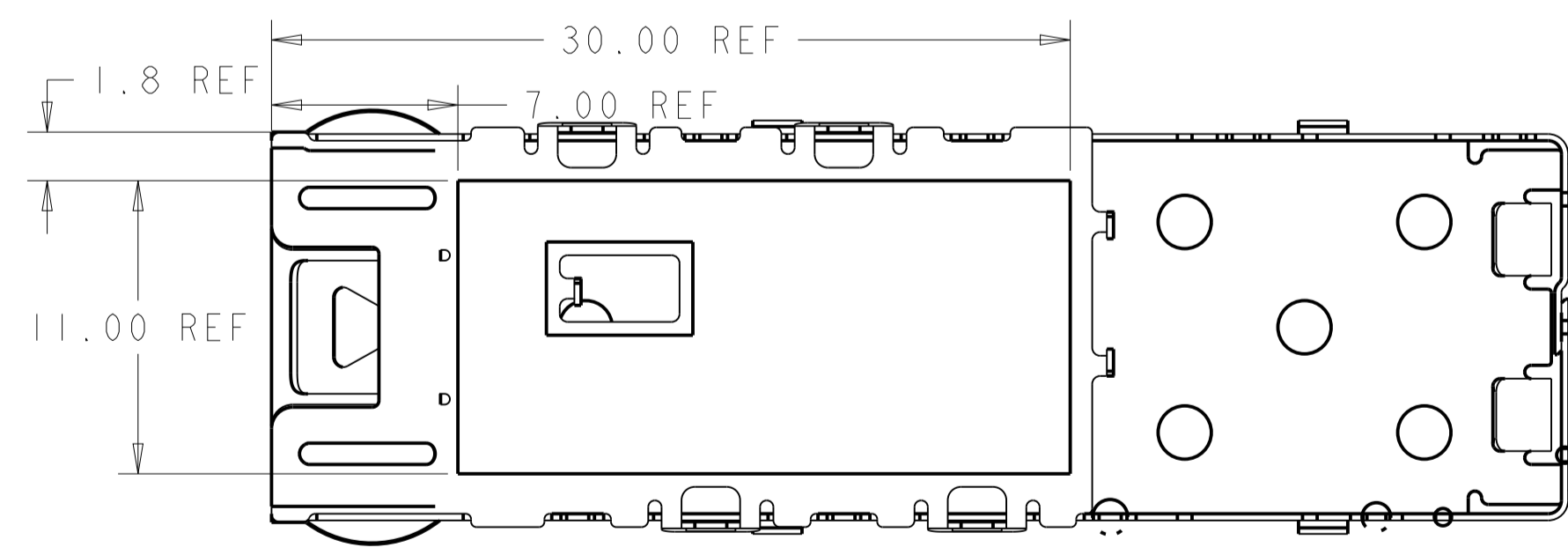
2007198-5 AS SHOWN WITH INSULATING TAPE



2007198-7
 SAME AS 2007198-2 EXCEPT AS SHOWN
 TOP VIEW



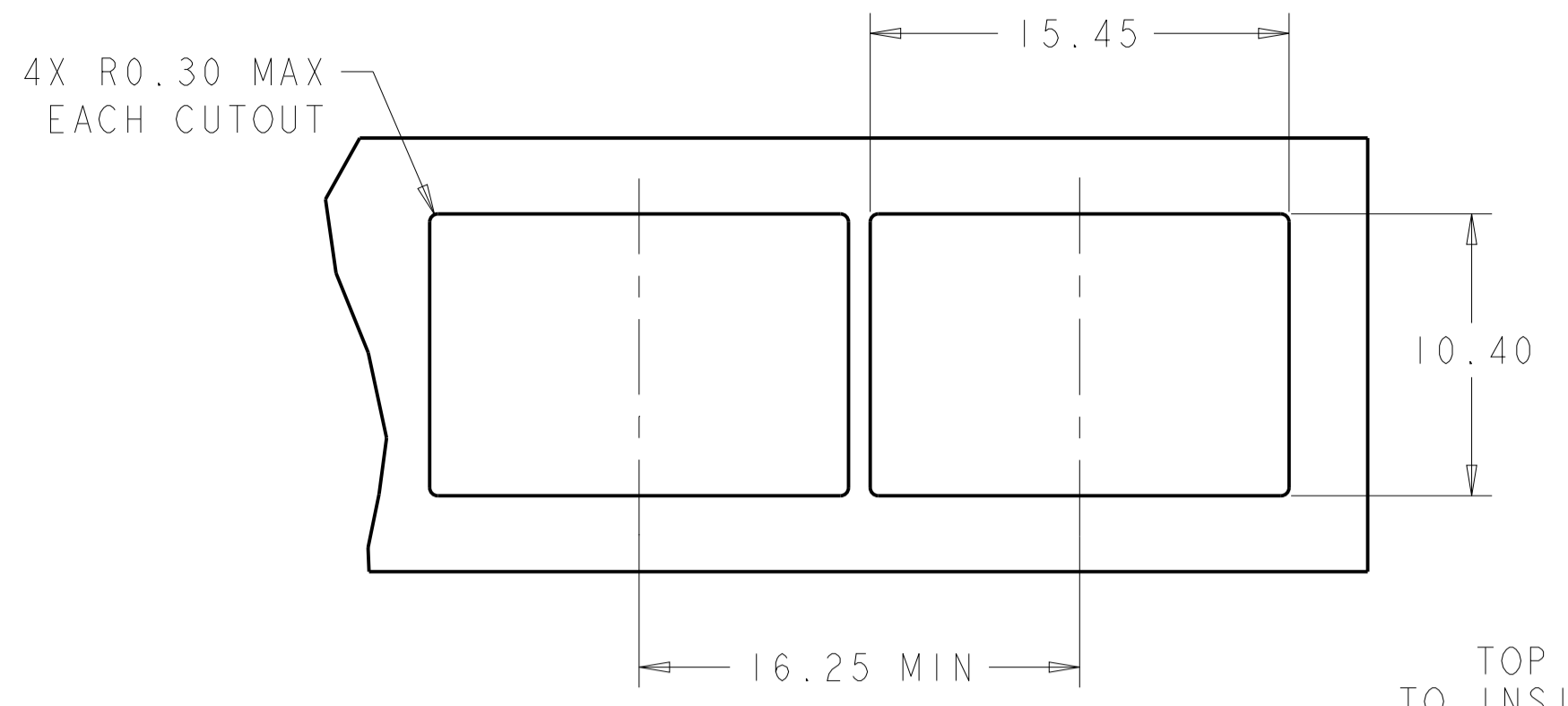
DETAIL C
 SCALE 15:1



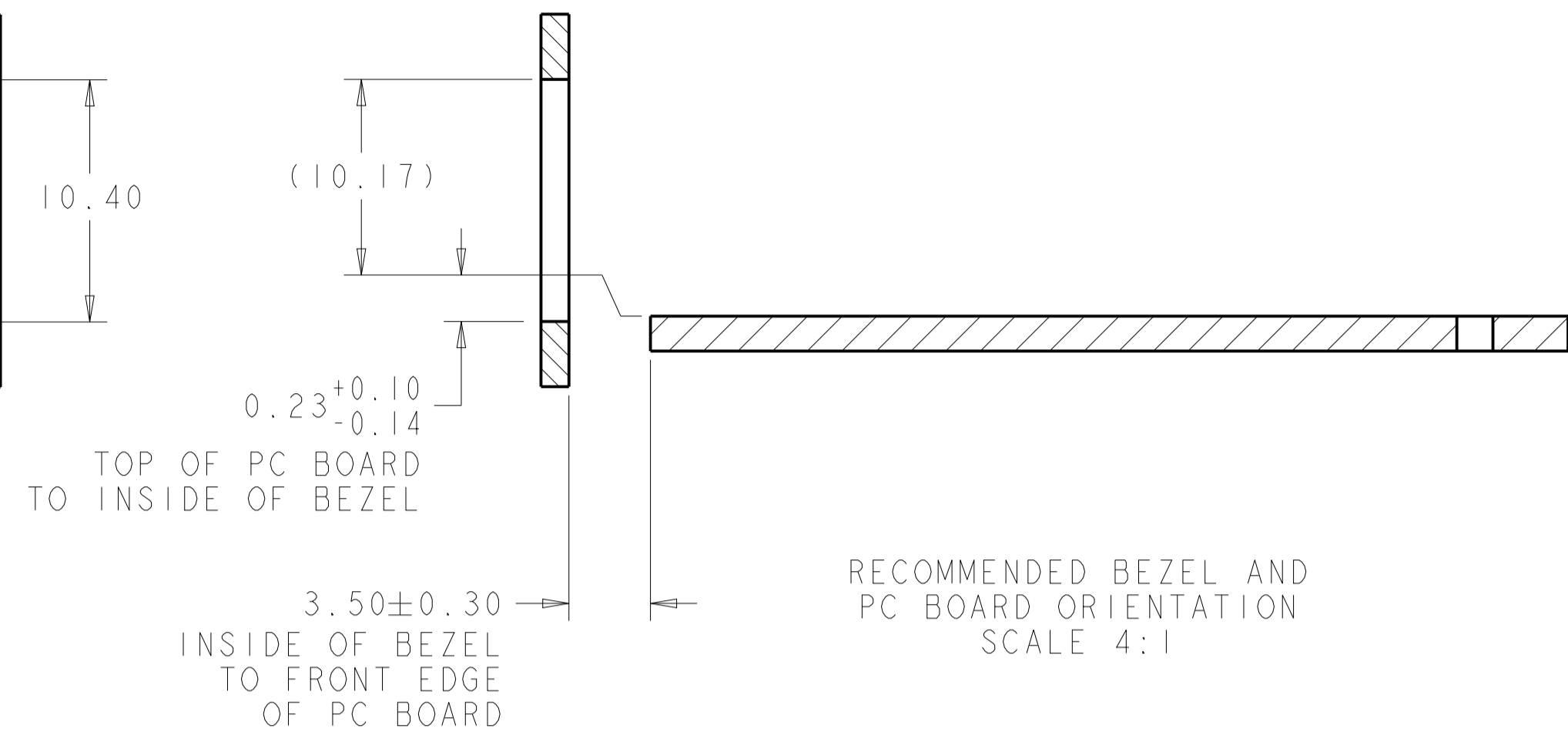
SCALE 4:1
 2007198-5 AS SHOWN THE LOCATION OF THE TAPE

THIS DRAWING IS A CONTROLLED DOCUMENT.		DMN M. SCHMITT 07JUN07	STE TE Connectivity
DIMENSIONS: mm		CHK M. SCHMITT 07JUN07	
TOLERANCES UNLESS OTHERWISE SPECIFIED:		APVD B. WERTZ 07JUN07	NAME SFP+ IXI CAGE ASSEMBLY, PRESS-FIT PRESS-FIT, EMI SPRINGS
0 PLC ±0.1		PRODUCT SPEC	SIZE CAGE CODE DRAWING NO RESTRICTED TO
1 PLC ±0.1		108-2364	A100779C=2007198
2 PLC ±0.1		APPLICATION SPEC	SCALE 6:1 SHEET 2 OF 4 REV C.3
3 PLC ±0.05		114-13120	
4 PLC ±0.05		WEIGHT	
ANGLES ±0.05		Customer Drawing	
FINISH			

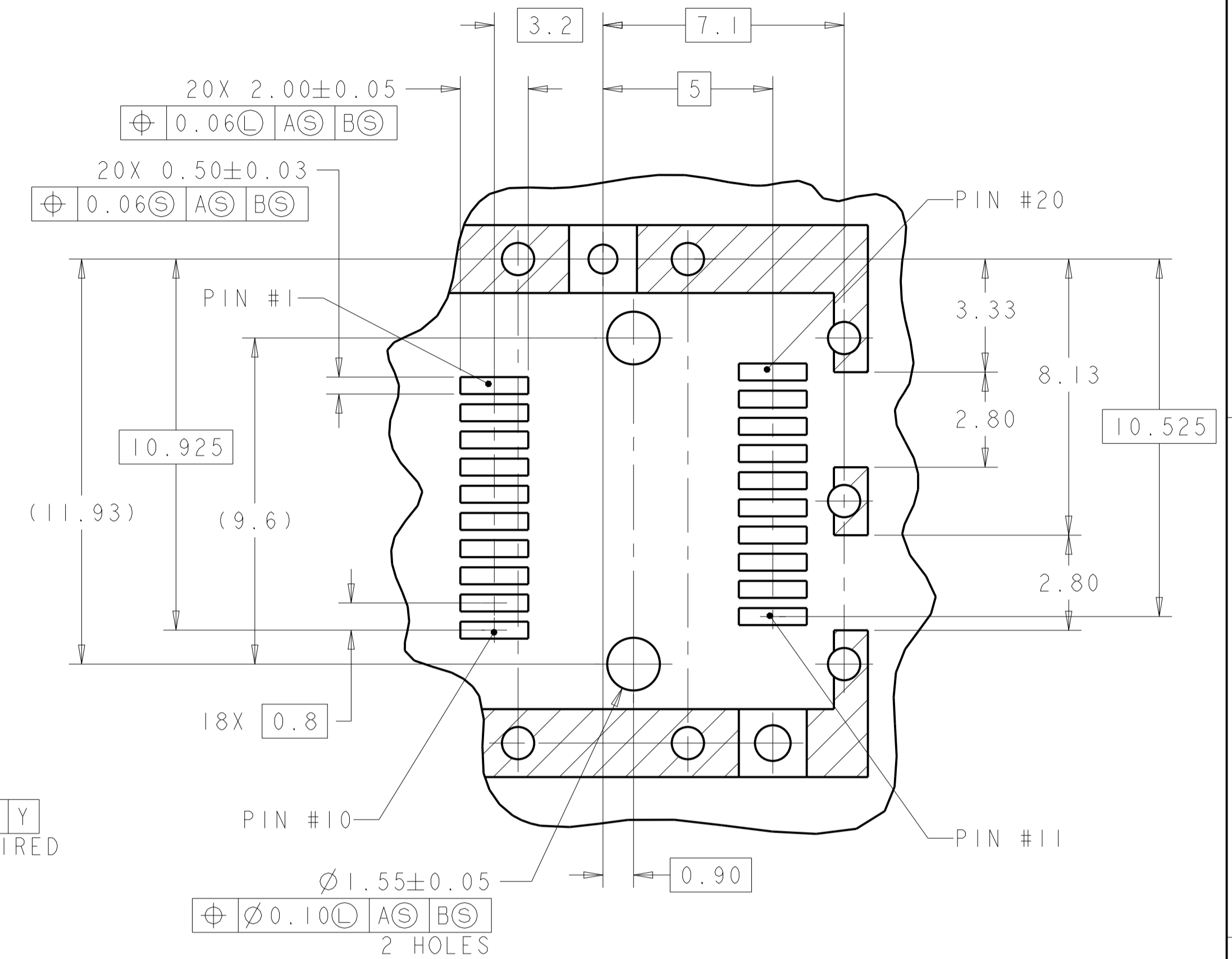
LOC	DIST	REV	DATE	BY	APPV
GP	00				



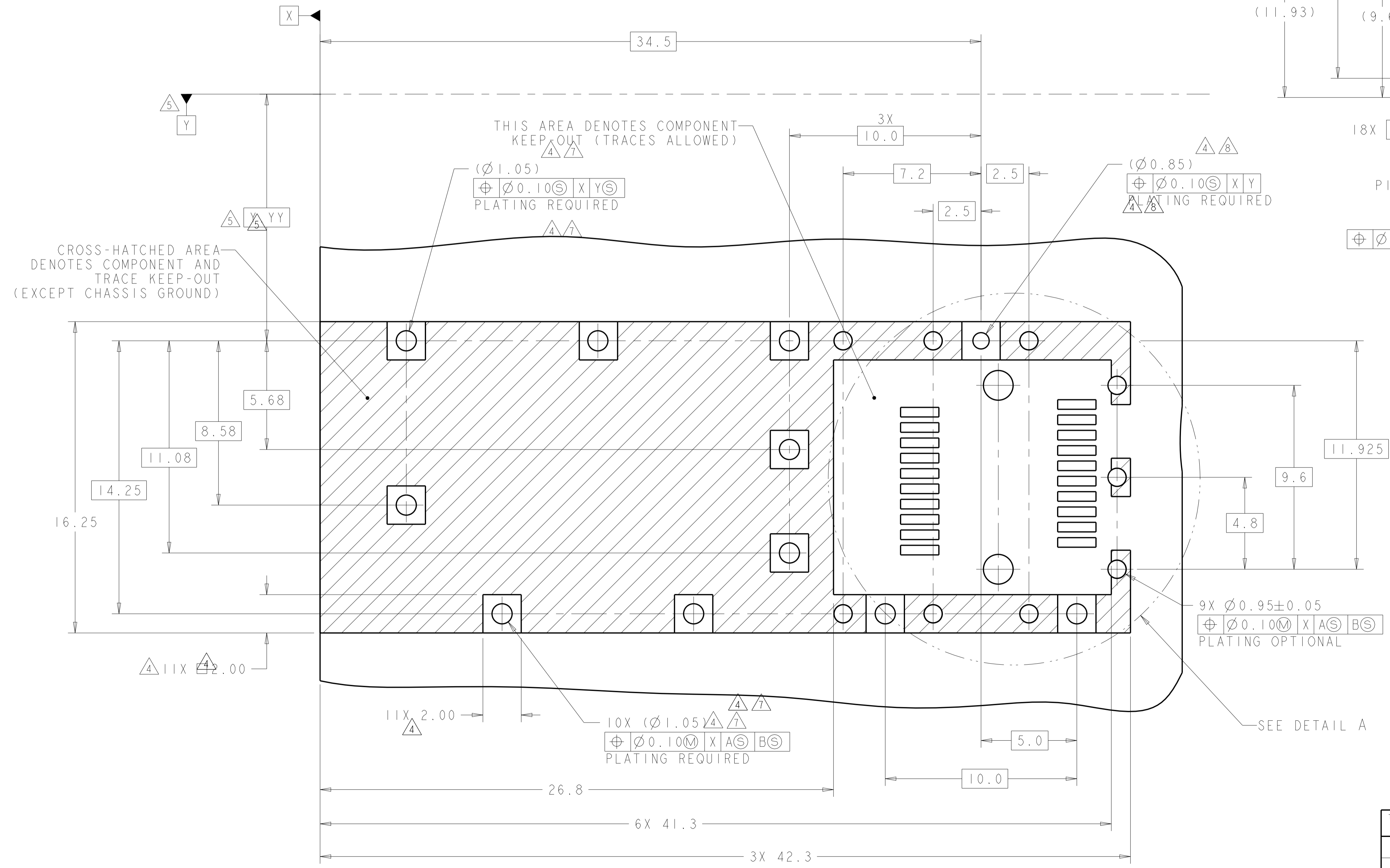
RECOMMENDED BEZEL CUTOUT
SCALE 4:1



RECOMMENDED BEZEL AND
PC BOARD ORIENTATION
SCALE 4:1



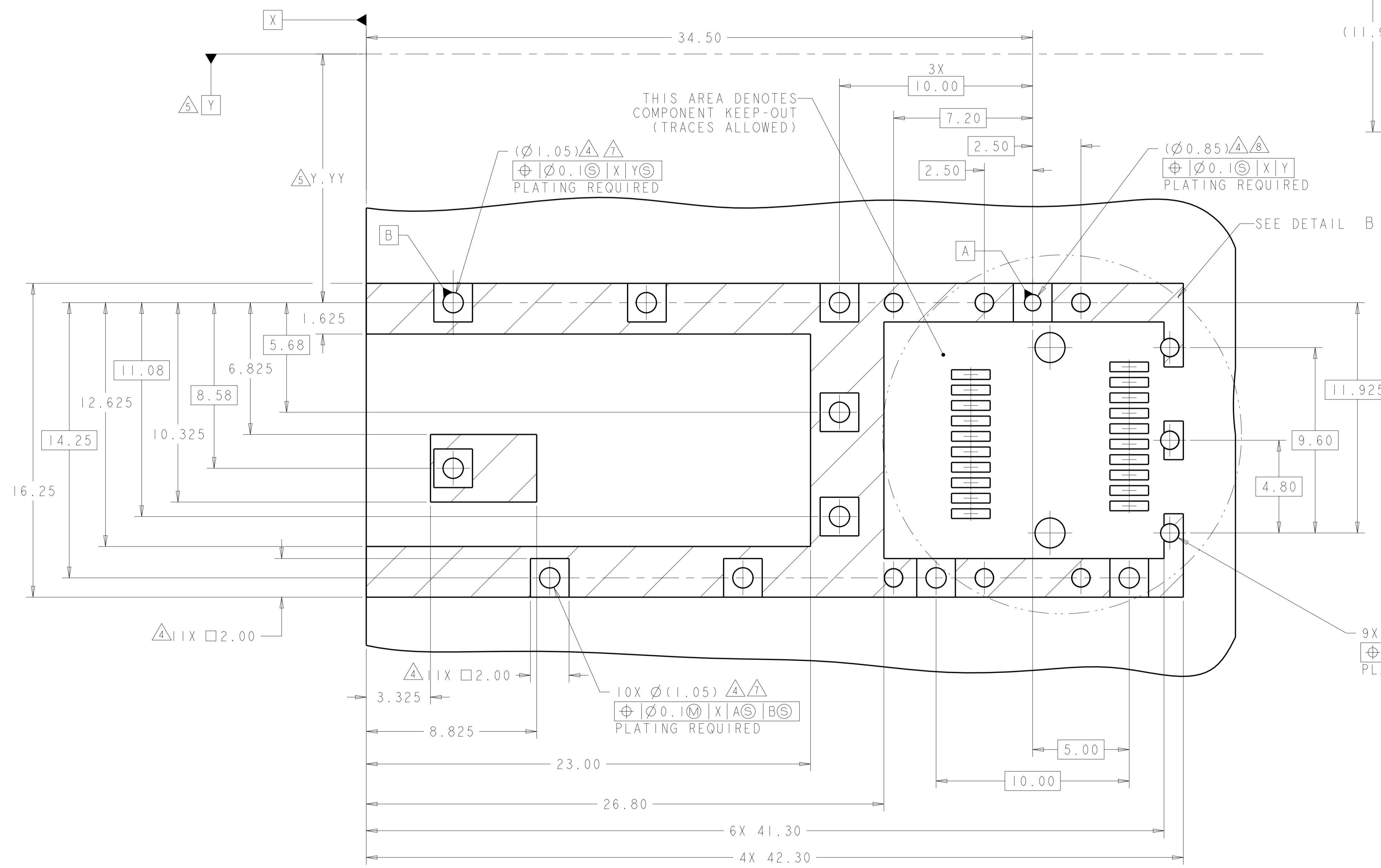
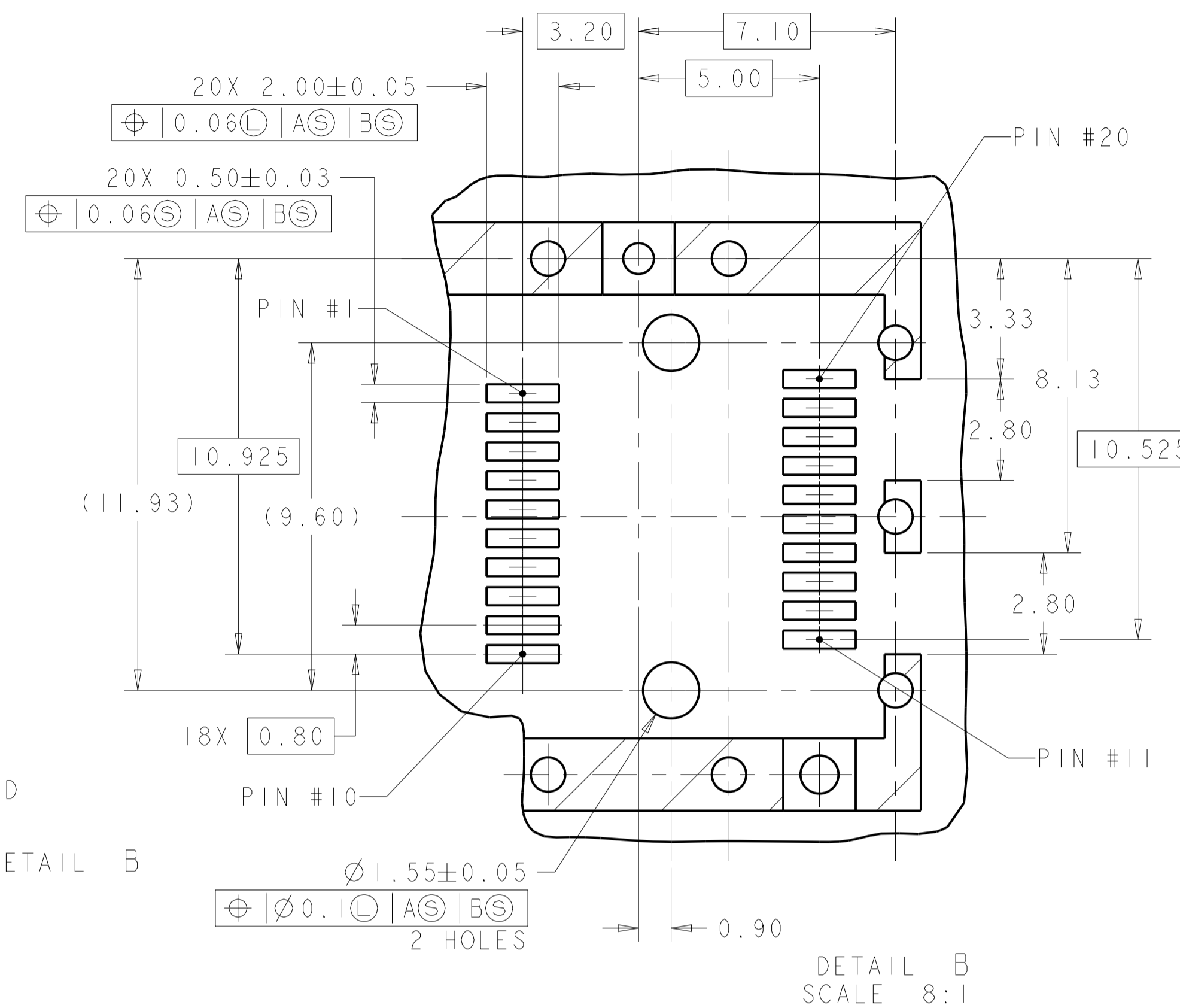
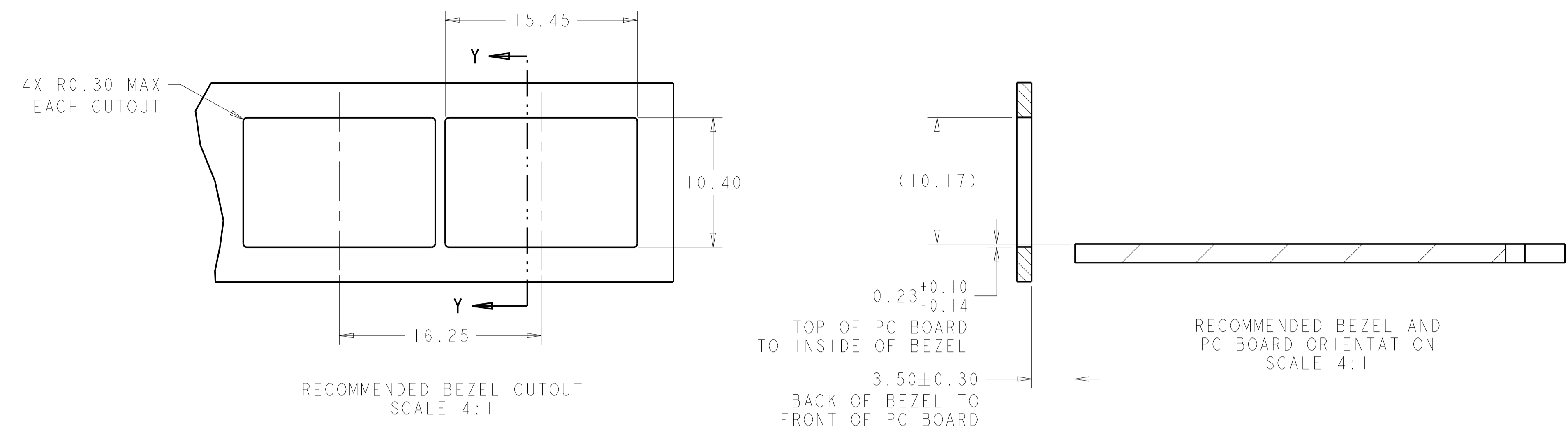
DETAIL A
SCALE 8:1



RECOMMENDED PCB LAYOUT
SCALE 8:1

THIS DRAWING IS A CONTROLLED DOCUMENT.		OWN: M. SCHMITT 07JUN07	TE Connectivity
DIMENSIONS: mm		CHK: M. SCHMITT 07JUN07	
TOLERANCES UNLESS OTHERWISE SPECIFIED:		APV: B. WERTZ 07JUN07	NAME: SFP+ IXI CAGE ASSEMBLY, PRESS-FIT PRESS-FIT, EMI SPRINGS PRODUCT SPEC: 108-2364 APPLICATION SPEC: 114-13120
0 PLC ±0.1 1 PLC ±0.1 2 PLC ±0.1 3 PLC ±0.05 4 PLC ±0.05 ANGLES ±0.05		SIZE: A1 CAGE CODE: 00779 DRAWING NO: C=2007198	
MATERIAL: FINISH:		WEIGHT:	RESTRICTED TO:
		Customer Drawing	SCALE: 6:1 SHEET 3 OF 4 REV: C3

LOC	DIST	REV	DATE	APP'D	DESCRIPTION
GP	00				SEE SHEET 1



RECOMMENDED PCB LAYOUT FOR WITH INSULATING TAPE PART SCALE 8:1

THIS DRAWING IS A CONTROLLED DOCUMENT.		OWN M. SCHMITT 07JUN07	 TE Connectivity
DIMENSIONS: mm		CHK M. SCHMITT 07JUN07	
TOLERANCES UNLESS OTHERWISE SPECIFIED:		APP'D B. WERTZ 07JUN07	NAME SFP+ IXI CAGE ASSEMBLY, PRESS-FIT PRESS-FIT, EMI SPRINGS WITH HEATSINK
Ø 0.1		PRODUCT SPEC 108-2364	SIZE CAGE CODE DRAWING NO. A100779C=2007198
Ø 0.1		APPLICATION SPEC	RESTRICTED TO
Ø 0.05		114-13120	SCALE 6:1 SHEET 4 OF 4 REV C3
Ø 0.05		WEIGHT	
ANGLES		Customer Drawing	

X-ON Electronics

Largest Supplier of Electrical and Electronic Components

Click to view similar products for [I/O Connectors](#) category:

Click to view products by [TE Connectivity](#) manufacturer:

Other Similar products are found below :

[571763P](#) [72.250.1628.2](#) [72.250.2428.2](#) [74720-0505](#) [76.350.0729.0](#) [76871-1403](#) [FCN-244F080-G/1](#) [FCN-260A9920](#) [MP-5T180MUNNA-005](#)
[PCR-E36PM](#) [PCS-XE26MA+](#) [G38A71314B](#) [1571250010](#) [157-22500-3](#) [MS3471L14-19P L/C](#) [91-569786-35H](#) [172501-4002](#) [172501-6002](#)
[FCN-260C008-A/L0](#) [FCN-260C024-AL0](#) [FCN-261Z008](#) [2000314-1](#) [200331-1](#) [PCR-E36FC+](#) [PCS-E28FS+](#) [PCS-XE26SLFD+](#) [PCS-](#)
[XE26SLFDT+](#) [G730VID08BDC24](#) [HDMR-29-01-S-SM-TR](#) [U90B2054081210](#) [UE86K842720321](#) [38113800006](#) [DP3AR020WQ1R200](#)
[Z4.102.0680.0](#) [500-1040](#) [500-1052](#) [500-1054](#) [ZP-4008-66L](#) [0709821002](#) [10-565995-597N](#) [DX40-20P\(55\)](#) [5554841-1](#) [U90B3054061110](#)
[U65-E04-4020](#) [ZPF00000000097891](#) [557-262M2-06C](#) [747360449](#) [10099439-003C-TRLF](#) [10137239-0021LF](#) [E9320-001-01](#)