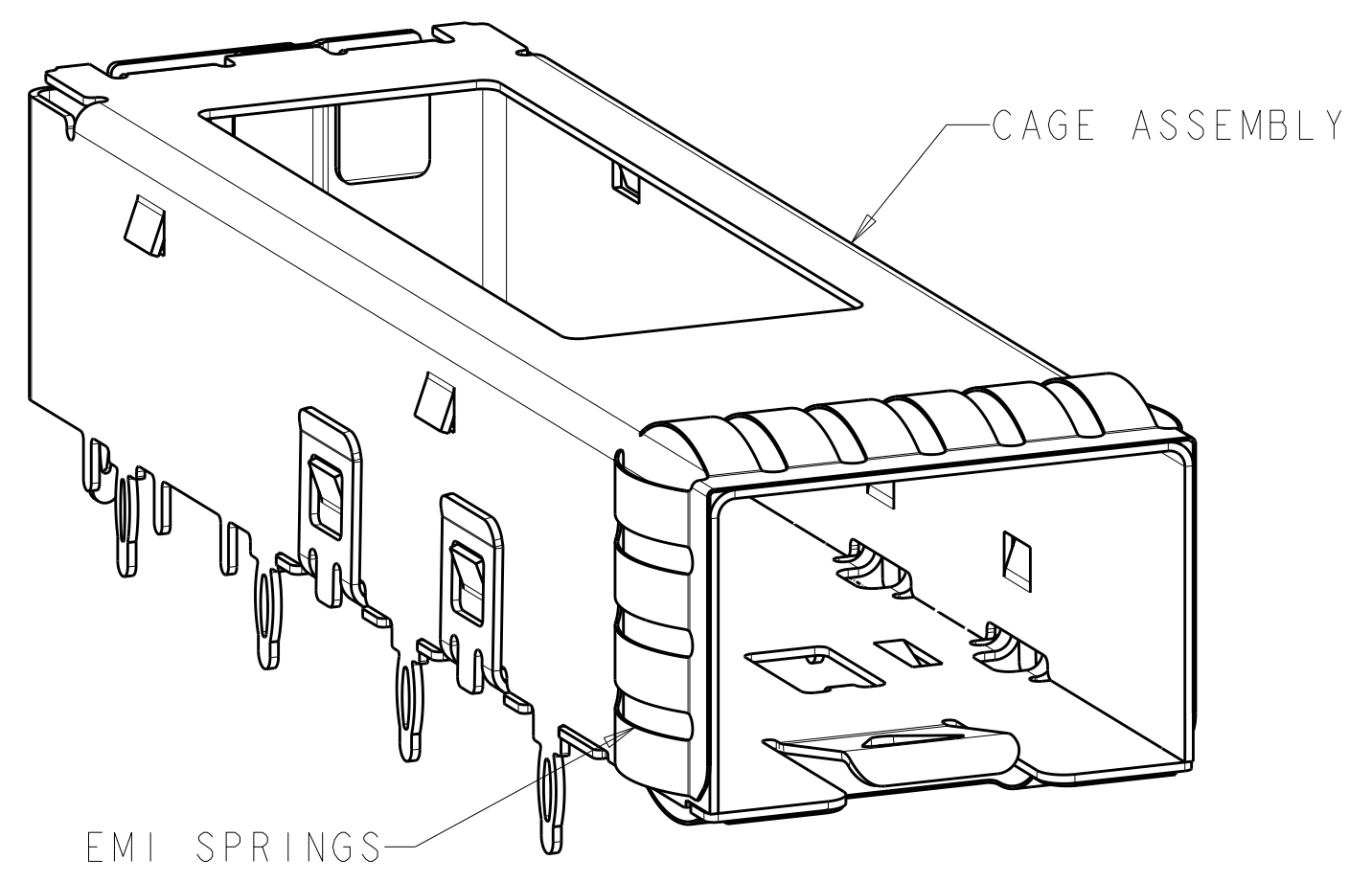
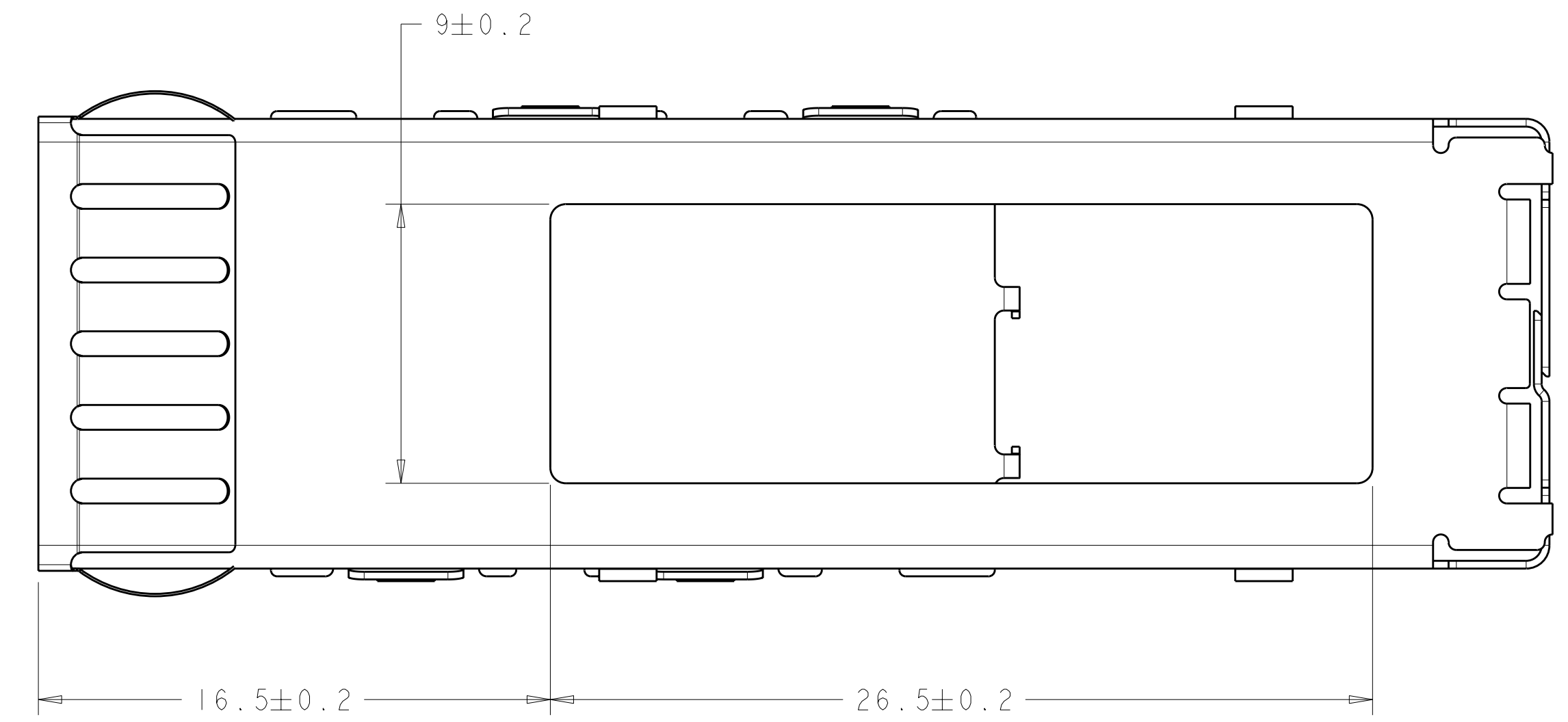


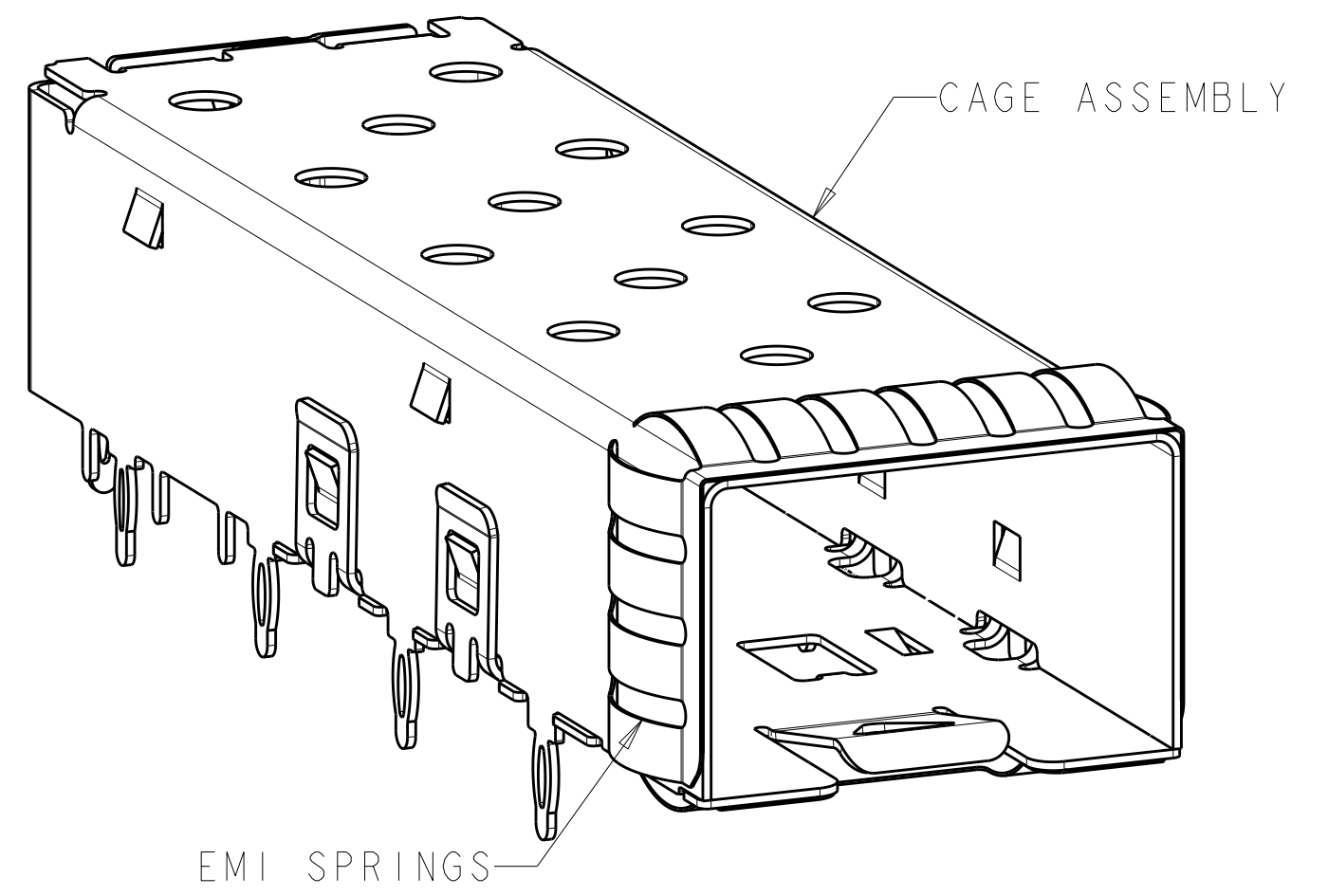
LOC	DIST	REVISIONS			
GP	00	REV	DATE	DWN	APVD
		B	REVISED PER ECO-09-022874	200CT2009	CR MS
		C	REVISED PER ECO-11-024172	07DEC2011	TX AC



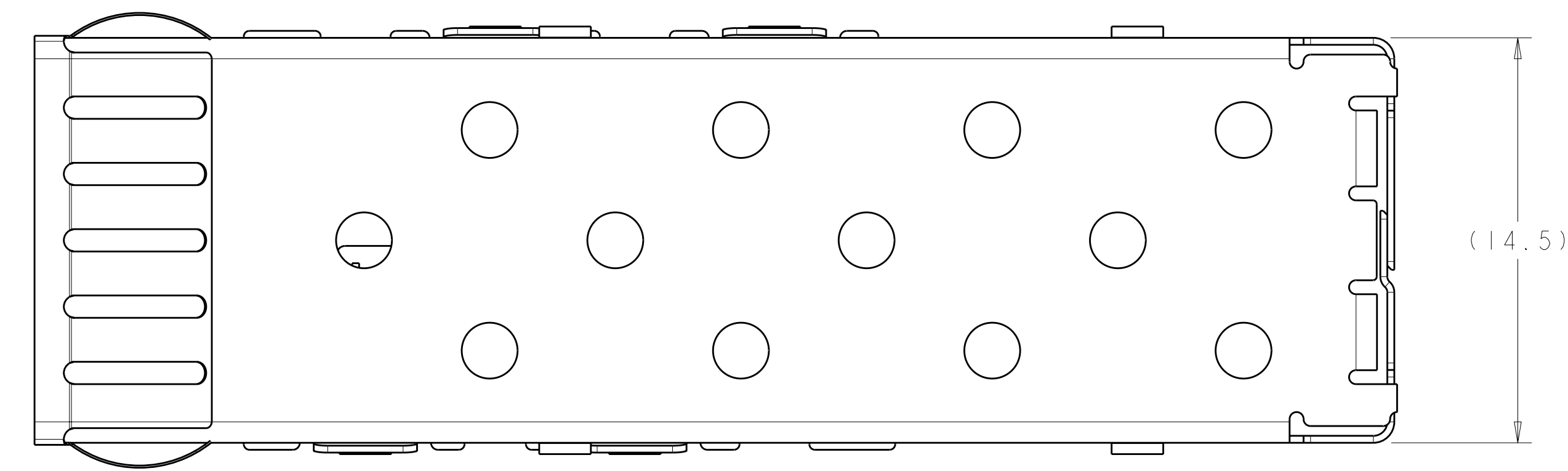
2007215-2  
SCALE 5:1



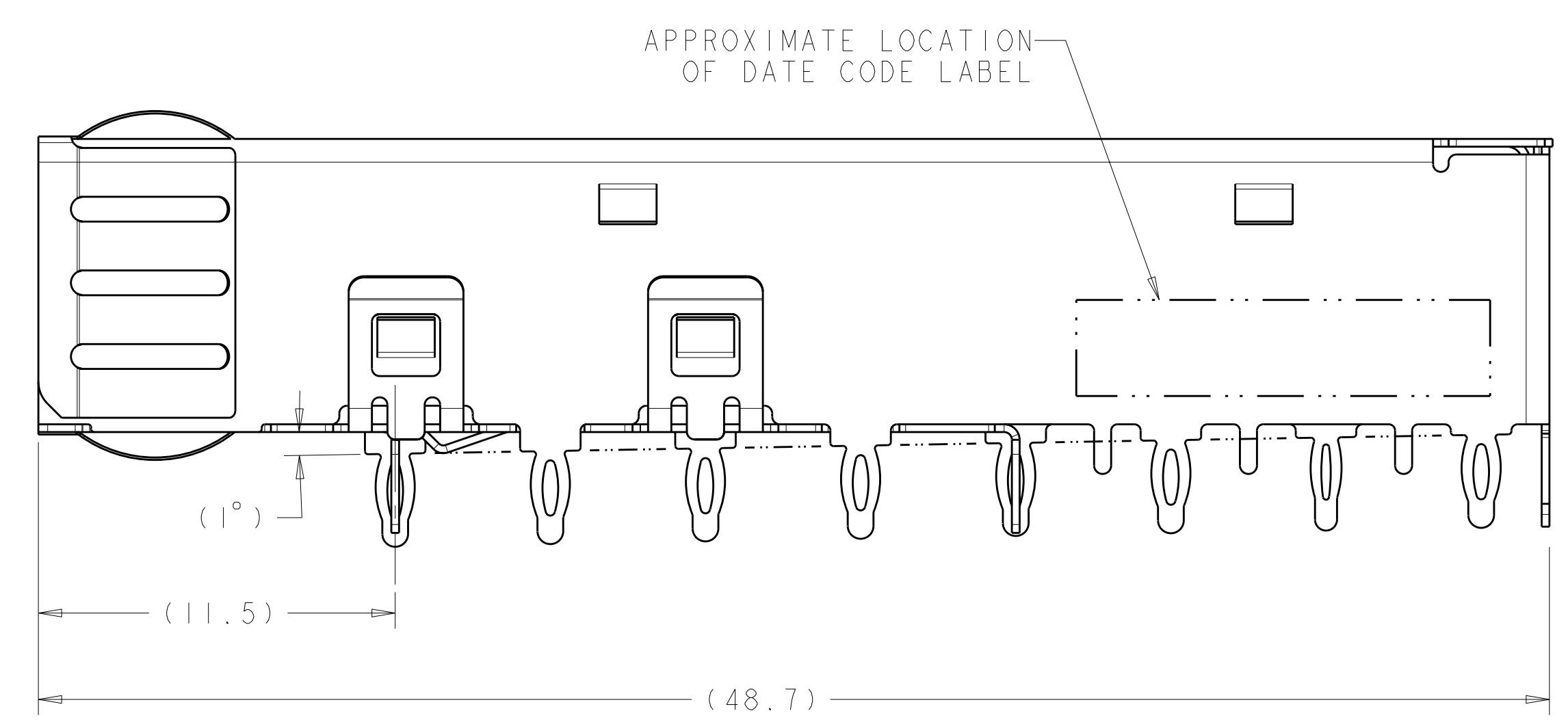
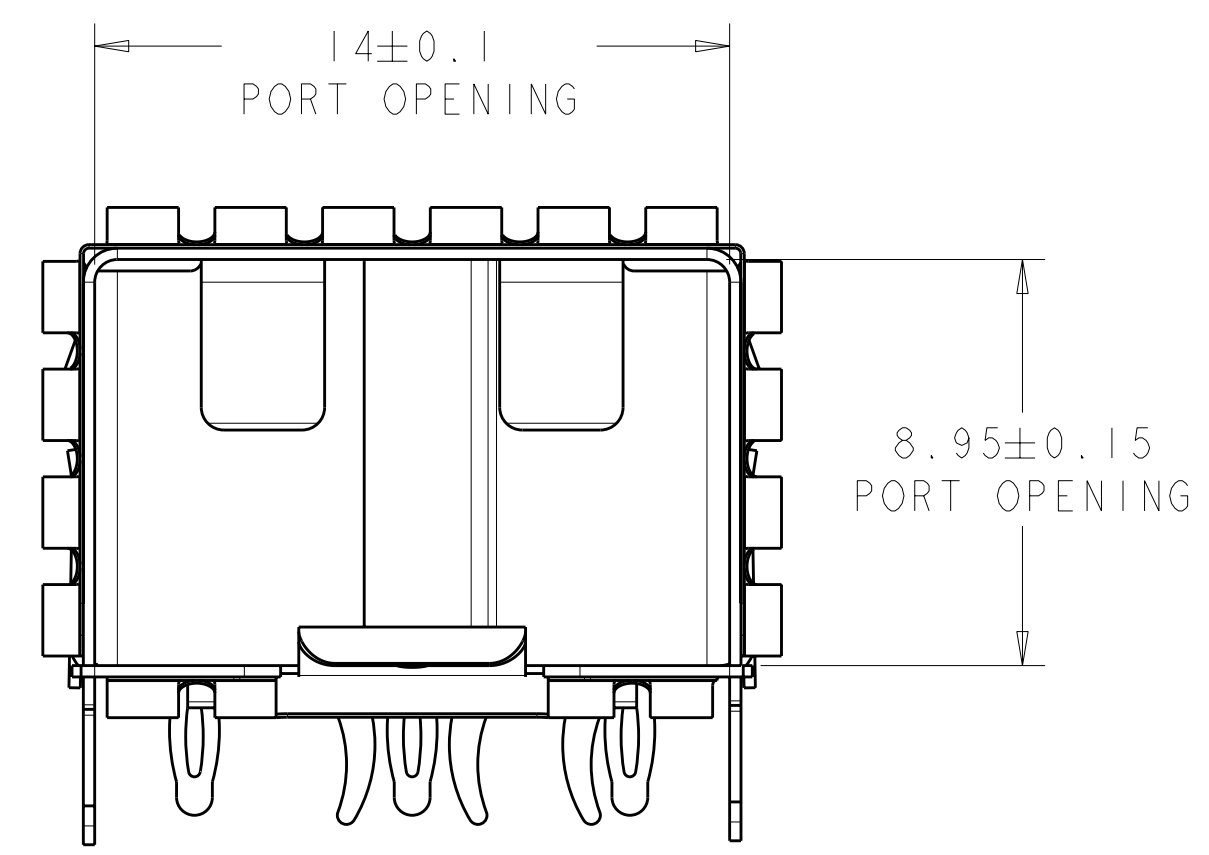
2007215-2  
SAME AS 2007215-1 EXCEPT AS SHOWN  
TOP VIEW



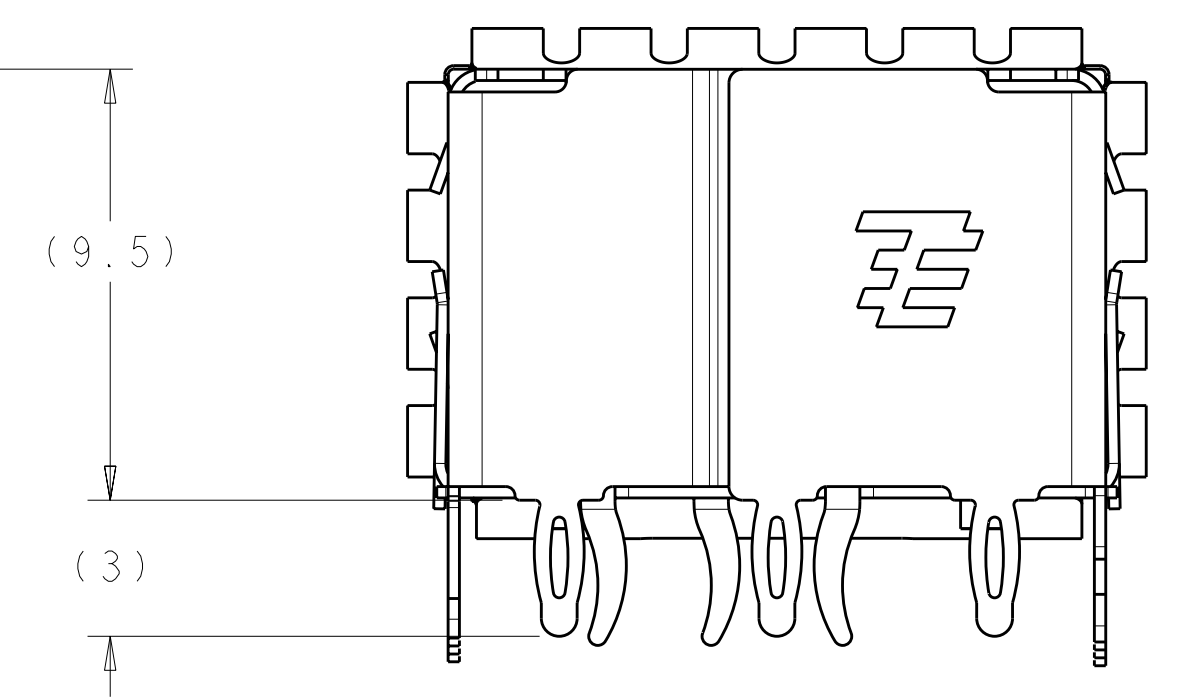
2007215-1  
SCALE 5:1



2007215-1  
TOP VIEW



- 1 MATERIAL:  
CAGE ASSEMBLY - 0.25mm THICK NICKEL-SILVER ALLOY.  
EMI SPRINGS - COPPER ALLOY.
- 2 FINISH:  
EMI SPRINGS - 0.8um MIN TIN OVER 0.8um MIN NICKEL,  
NON PLATED EDGES PERMISSIBLE.
- 3. MATES WITH SFP MSA COMPLIANT TRANSCEIVERS.
- 4 PADS AND VIAS CHASSIS GROUND.
- 5 DATUMS AND BASIC DIMENSIONS ESTABLISHED BY CUSTOMER.
- 6. MINIMUM PC BOARD THICKNESS:  
SINGLE SIDED = 1.50mm
- 7 REFERENCE APPLICATION SPEC. 114-13120, HOLE A,  
FOR RECOMMENDED DRILL HOLE DIAMETER AND PLATING  
THICKNESS.
- 8 REFERENCE APPLICATION SPEC. 114-13120, HOLE C,  
FOR RECOMMENDED DRILL HOLE DIAMETER AND PLATING  
THICKNESS.
- 9. NOTE DELETED



HEATSINK OPENING	2007215-2
EMI HOLES	2007215-1
DESCRIPTION	PART NUMBER

THIS DRAWING IS A CONTROLLED DOCUMENT.

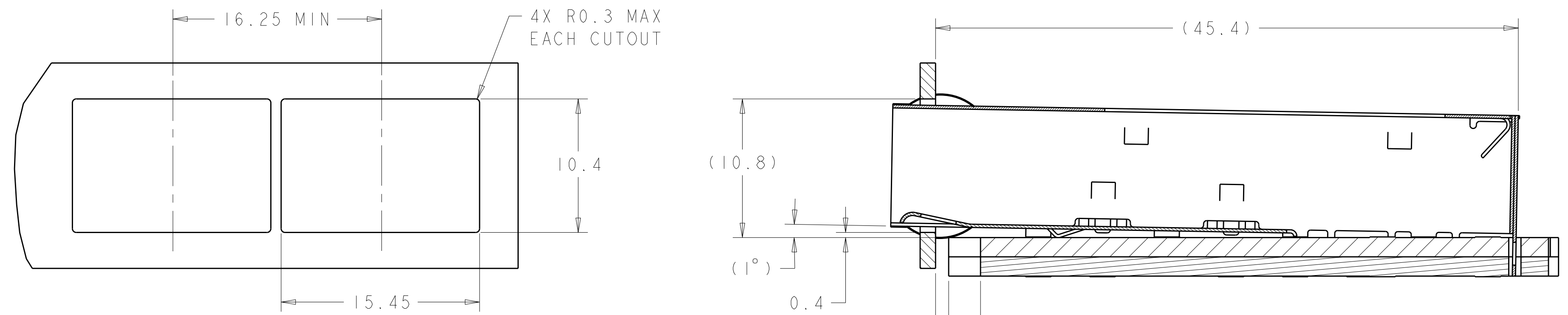
DIMENSIONS:	TOLERANCES UNLESS OTHERWISE SPECIFIED:	DWN M. SCHMITT 6AUG2007	NAME
mm	0 PLC ±0.1	CHK M. SCHMITT 6AUG2007	SFP+ IXI CAGE ASSEMBLY, PCI, PRESS-FIT EMI SPRING FINGERS
	1 PLC ±0.1	APVD B. WERTZ 6AUG2007	PRODUCT SPEC
	2 PLC ±0.1		108-2364
	3 PLC ±0.1		APPLICATION SPEC
	4 PLC ±0.05		114-13120
	5 PLC ±0.05		SIZE CAGE CODE DRAWING NO
	ANGLES ±0.05		RESTRICTED TO
MATERIAL	FINISH	WEIGHT	A100779C=2007215
			CUSTOMER DRAWING

SCALE 6:1 SHEET 1 OF 2 REV C

LOC	DIST	REV	DATE	BY	APPD
GP	00				

REVISIONS		DATE	BY	APPD
1	SEE SHEET 1			

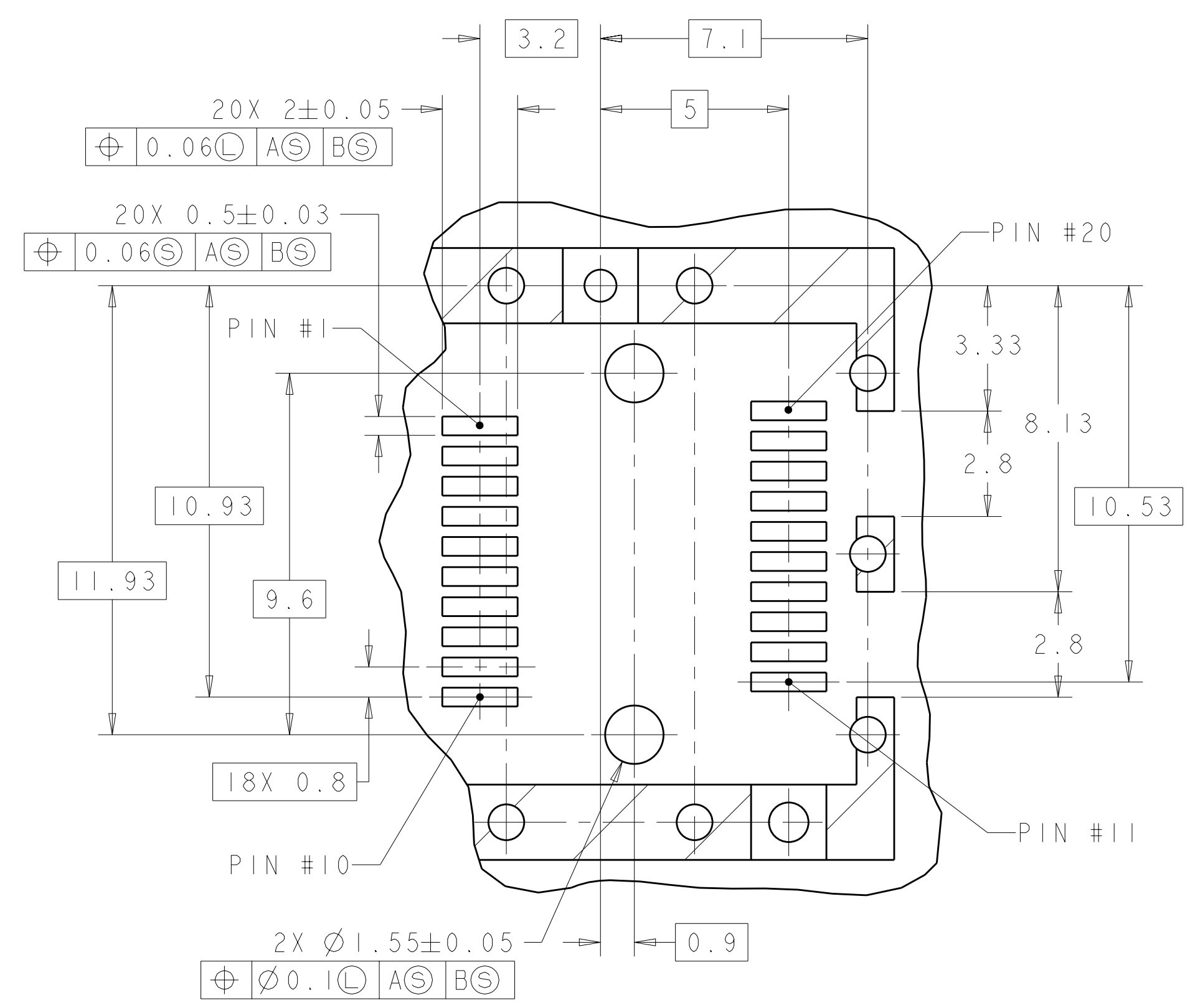


RECOMMENDED BEZEL CUTOUT SCALE 4:1

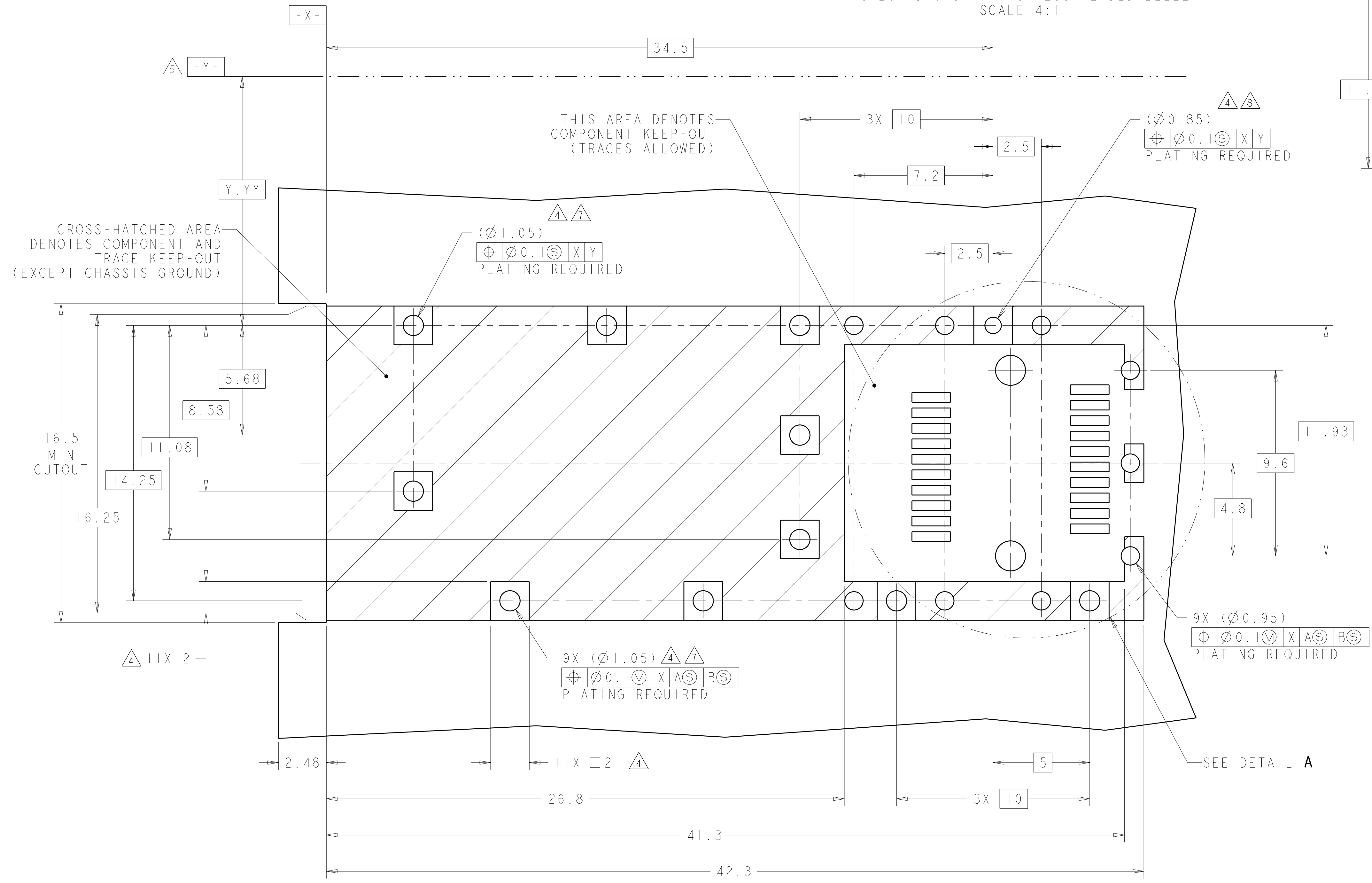
3.5±0.3  
BACK OF BEZEL TO PC BOARD CUTOUT

1.02±0.3  
BACK OF BEZEL TO FRONT OF PC BOARD

CAGE ASSEMBLY MOUNTED ON RECOMMENDED PC BOARD SHOWN THRU RECOMMENDED BEZEL SCALE 4:1



DETAIL A SCALE 8:1



RECOMMENDED PCB LAYOUT SCALE 8:1

THIS DRAWING IS A CONTROLLED DOCUMENT.		DWN M. SCHMITT 6AUG2007	STE TE Connectivity	
DIMENSIONS: mm		CHK M. SCHMITT 6AUG2007	NAME SFP+ IXI CAGE ASSEMBLY, PCI, PRESS-FIT EMI SPRING FINGERS	
TOLERANCES UNLESS OTHERWISE SPECIFIED:		APVD B. WERTZ 6AUG2007	PRODUCT SPEC 108-2364	
9 PLC ±0.1		APPLICATION SPEC 114-13120		
1 PLC ±0.1		WEIGHT		
3 PLC ±0.1		CUSTOMER DRAWING		
4 PLC ±0.05		SCALE 6:1 SHEET 2 OF 2 REV C		
ANGLES ±0.05				
FINISH				

## X-ON Electronics

Largest Supplier of Electrical and Electronic Components

*Click to view similar products for [I/O Connectors](#) category:*

*Click to view products by [TE Connectivity](#) manufacturer:*

Other Similar products are found below :

[571763P](#) [72.250.1628.2](#) [72.250.2428.2](#) [74720-0505](#) [76.350.0729.0](#) [76871-1403](#) [FCN-244F080-G/1](#) [FCN-260A9920](#) [MP-5T180MUNNA-005](#)  
[PCR-E36PM](#) [PCS-XE26MA+](#) [G38A71314B](#) [1571250010](#) [157-22500-3](#) [MS3471L14-19P L/C](#) [91-569786-35H](#) [172501-4002](#) [172501-6002](#)  
[FCN-260C008-A/L0](#) [FCN-260C024-AL0](#) [FCN-261Z008](#) [2000314-1](#) [200331-1](#) [PCR-E36FC+](#) [PCS-E28FS+](#) [PCS-XE26SLFD+](#) [PCS-](#)  
[XE26SLFDT+](#) [G730VID08BDC24](#) [U90B2054081210](#) [UE86K842720321](#) [38113800006](#) [DP3AR020WQ1R200](#) [Z4.102.0680.0](#) [500-1040](#)  
[500-1052](#) [500-1054](#) [ZP-4008-66L](#) [0709821002](#) [10-565995-597N](#) [DX40-20P\(55\)](#) [5554841-1](#) [MS3474W18-8P-LC\\*](#) [U90B3054061110](#) [U65-](#)  
[E04-4020](#) [ZPF000000000097891](#) [557-262M2-06C](#) [747360449](#) [10099439-003C-TRLF](#) [10137239-0021LF](#) [E9320-001-01](#)