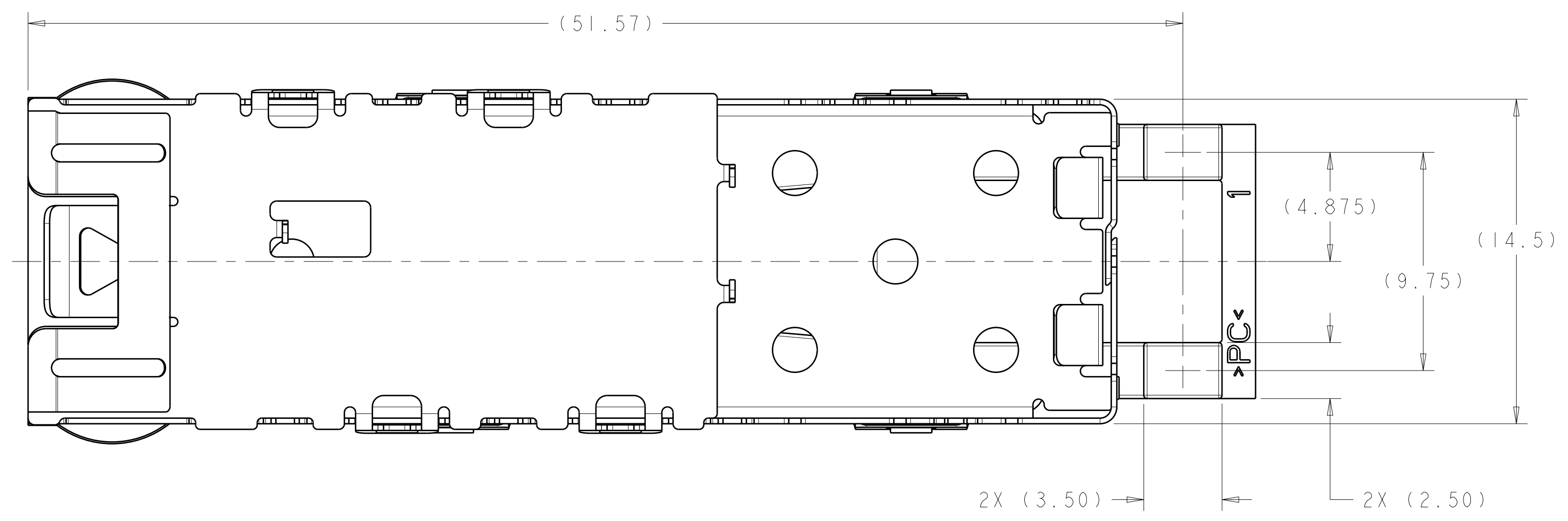
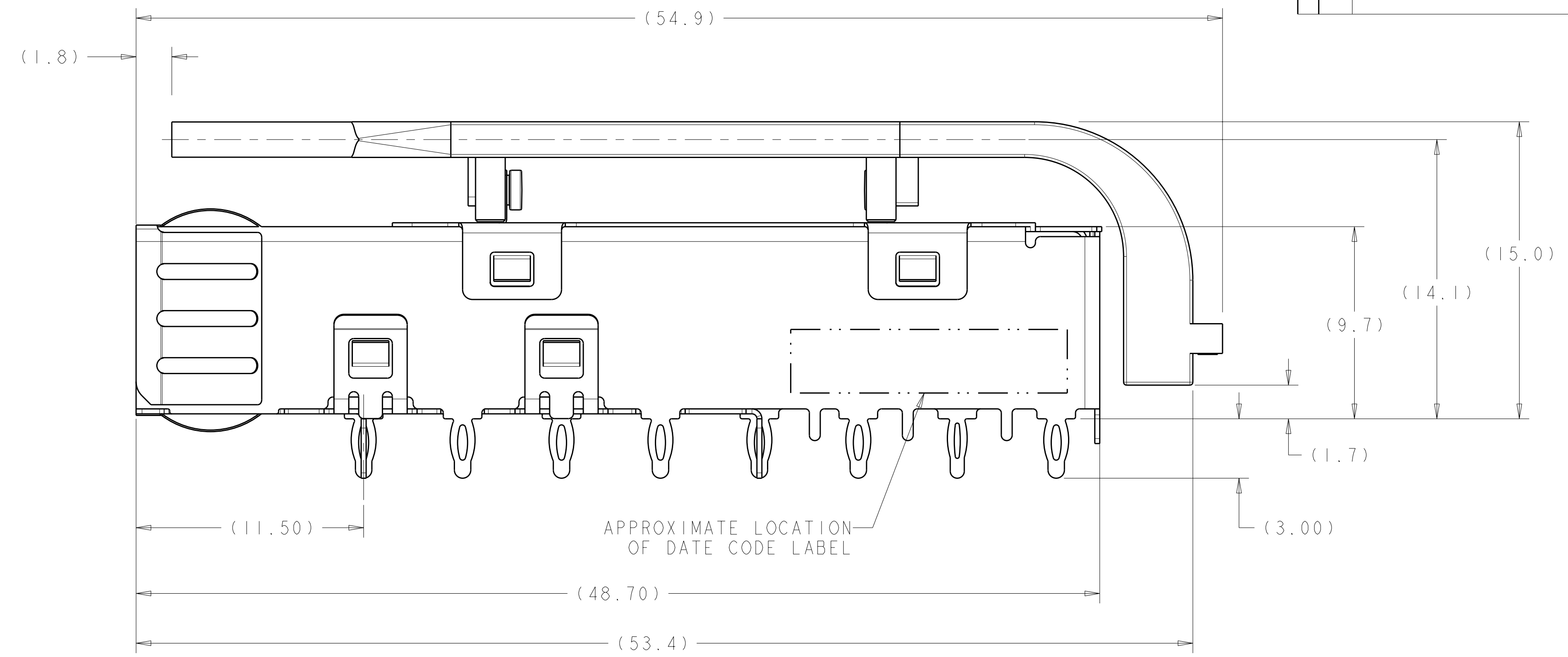
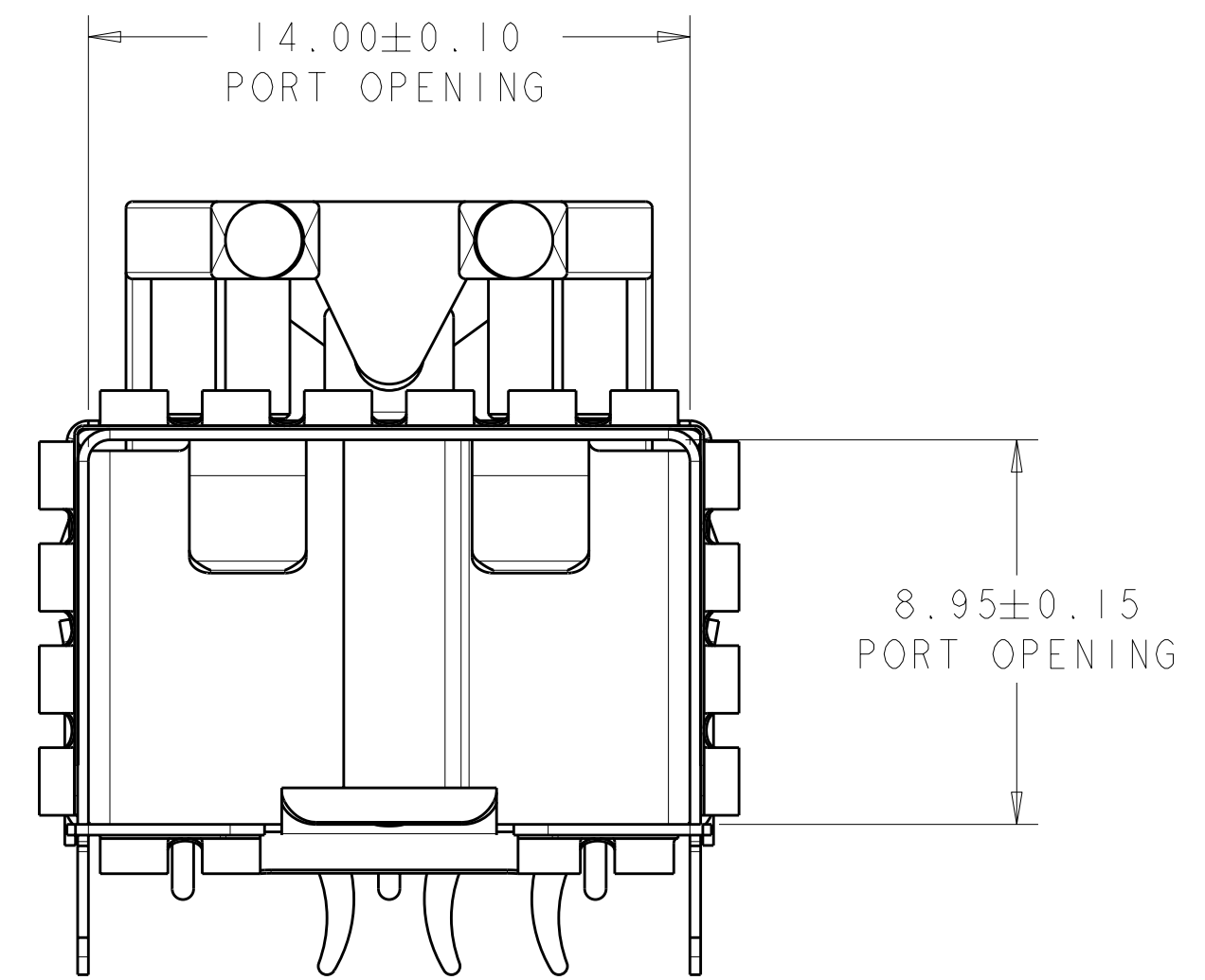
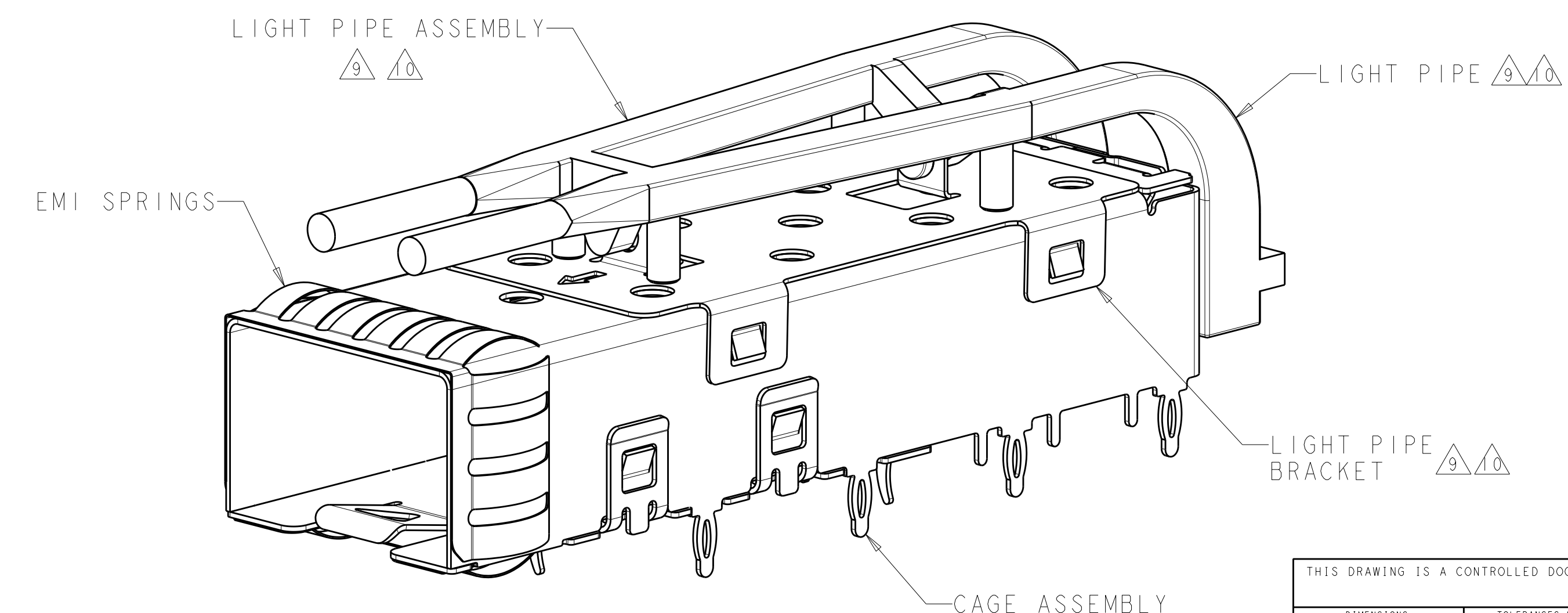


LOC	DIST	REV	DATE	BY	CHK	APPV
GP	00					
C1			11MAR2011	RK	HMR	
D			09JAN2012	TX	AC	



- 1 MATERIAL:
 CAGE ASSEMBLY - 0.25 THICK NICKEL-SILVER ALLOY.
 EMI SPRINGS - COPPER ALLOY.
 LIGHT PIPE - POLYCARBONATE, CLEAR.
 LIGHT PIPE BRACKET - STAINLESS STEEL.
- 2 FINISH:
 EMI SPRINGS - 0.8um MIN MATTE TIN OVER 0.8um MIN NICKEL
 NON-PLATED EDGES PERMISSIBLE.
- 3. MATES WITH SFP MSA COMPLIANT TRANSCEIVERS.
- 4 PADS AND VIAS CHASSIS GROUND.
- 5 DATUM AND BASIC DIMENSION ESTABLISHED BY CUSTOMER.
- 6. MINIMUM PC BOARD THICKNESS:
 SINGLE SIDED: 1.50mm
 DOUBLE SIDED: 3.00mm
- 7 REFERENCE APPLICATION SPEC. 114-13120, HOLE A, FOR
 RECOMMENDED DRILL HOLE DIAMETER AND PLATING THICKNESS.
- 8 REFERENCE APPLICATION SPEC. 114-13120, HOLE C, FOR
 RECOMMENDED DRILL HOLE DIAMETER AND PLATING THICKNESS.
 INTO PCB PRIOR TO ATTACHING THE LIGHTPIPE ASSEMBLY
 TO THE CAGE.
- 9 LIGHT PIPE ASSEMBLY SHIPPED UNASSEMBLED TO CAGE ASSEMBLY.
 CAGE ASSEMBLY TO BE PRESSED INTO PCB PRIOR TO ATTACHING
 THE LIGHT PIPE ASSEMBLY TO THE CAGE.
- 10 LIGHT PIPE AND LIGHT PIPE BRACKET SHIPPED ASSEMBLED.
- 11. NOTE DELETED



2007254-1
 SHOWN ASSEMBLED
 SCALE 5:1

2007254-1
 PART
 NUMBER

THIS DRAWING IS A CONTROLLED DOCUMENT.		DWN: J. POLIGNONE 13JUL2007	TE Connectivity
DIMENSIONS: mm		CHK: M. SCHMITT 13JUL2007	
TOLERANCES UNLESS OTHERWISE SPECIFIED:		APPV: M. SCHMITT 13JUL2007	NAME: SFP+ IX1 CAGE ASSEMBLY
9 PLC ±0.1	3 PLC ±0.1	PRODUCT SPEC: 108-2364	RESTRICTED TO: -
5 PLC ±0.1	4 PLC ±0.05	APPLICATION SPEC: 114-13120	SIZE: A100779
4 PLC ±0.05	ANGLES ±0.05	WEIGHT: -	SCALE: 6:1
MATERIAL: -	FINISH: -	CUSTOMER DRAWING	SHEET 1 OF 2

X-ON Electronics

Largest Supplier of Electrical and Electronic Components

Click to view similar products for [I/O Connectors](#) category:

Click to view products by [TE Connectivity](#) manufacturer:

Other Similar products are found below :

[571763P](#) [58098-0628](#) [72.250.1628.2](#) [72.250.2428.2](#) [74720-0505](#) [76.350.0729.0](#) [76871-1403](#) [FCN-244F080-G/1](#) [FCN-260A9920](#) [PCR-E36PM](#) [PCS-XE26MA+](#) [G38A71314B](#) [1571250010](#) [157-22500-3](#) [MS3471L14-19P L/C](#) [172501-4002](#) [172501-6002](#) [FCN-260C008-A/L0](#) [FCN-260C024-AL0](#) [FCN-261Z008](#) [2000314-1](#) [200331-1](#) [PCR-E36FC+](#) [PCS-E28FS+](#) [PCS-XE26SLFD+](#) [PCS-XE26SLFDT+](#) [G730VID08BDC24](#) [U90B2054081210](#) [38113800006](#) [DP3AR020WQ1R200](#) [Z4.102.0680.0](#) [500-1040](#) [500-1052](#) [500-1054](#) [ZP-4008-66L](#) [0709821002](#) [DX40-20P\(55\)](#) [5554841-1](#) [MS3474W18-8P-LC*](#) [U90B3054061110](#) [U65-E04-4020](#) [ZPF000000000097891](#) [747360449](#) [10099439-003C-TRLF](#) [10137239-0021LF](#) [E9320-001-01](#) [10137239-0011LF](#) [70289-001LF](#) [70.060.1028.0](#) [109029-ZZ](#)