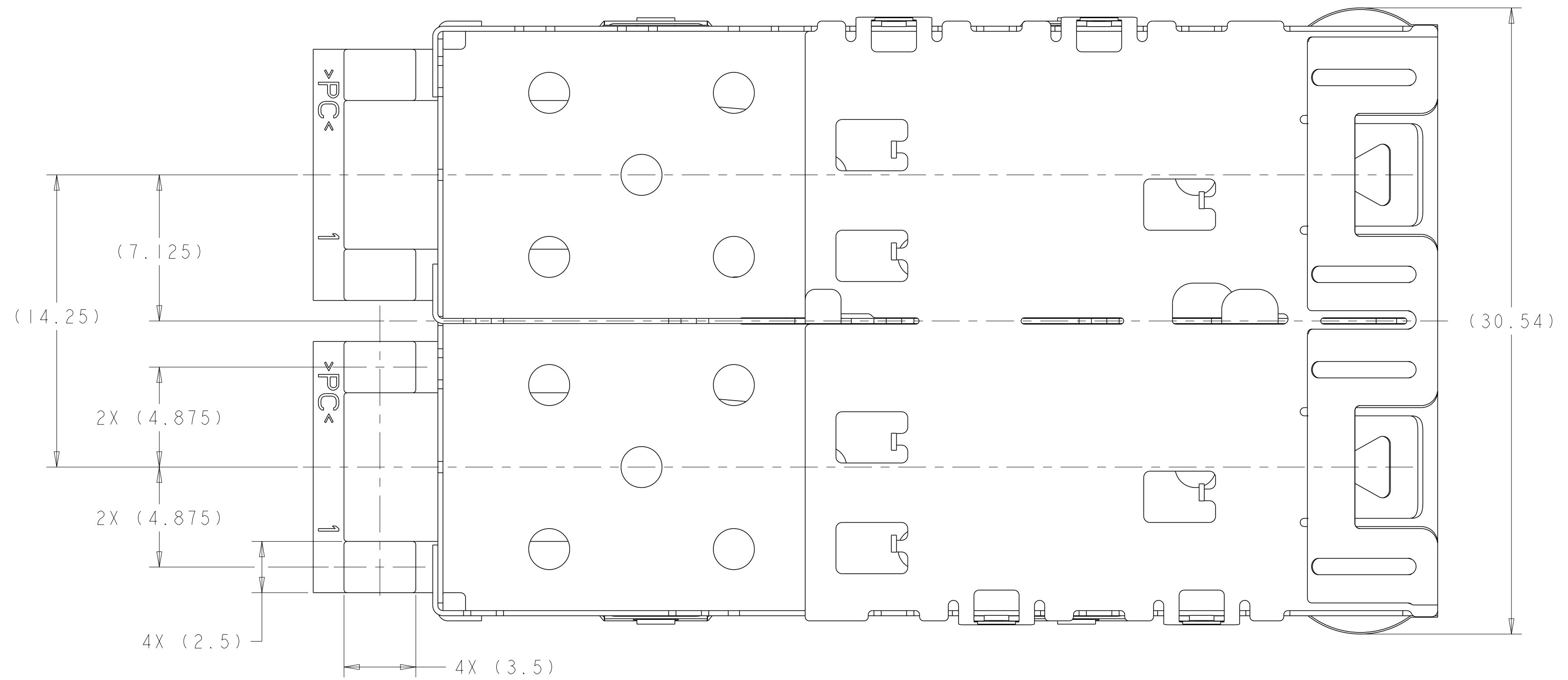
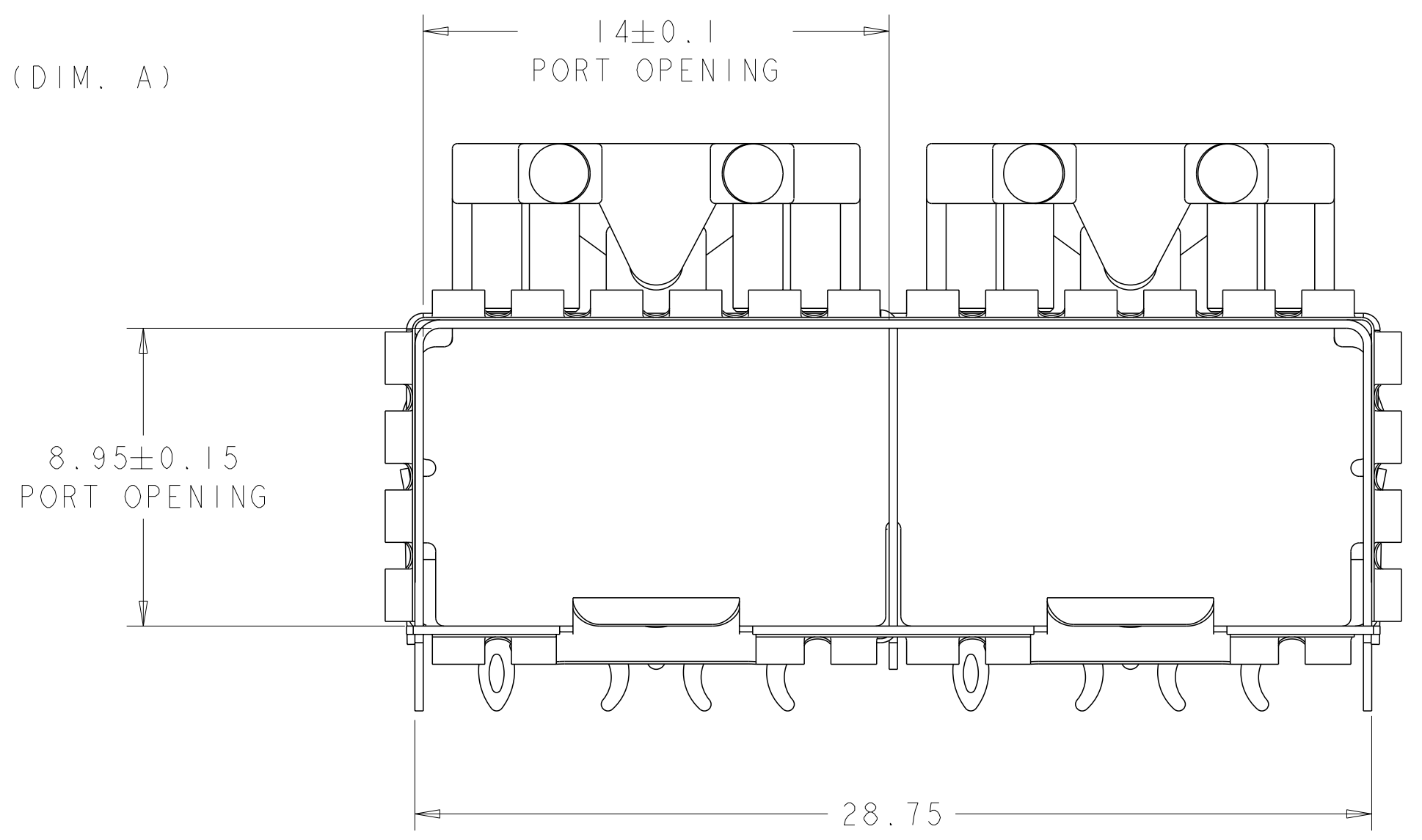
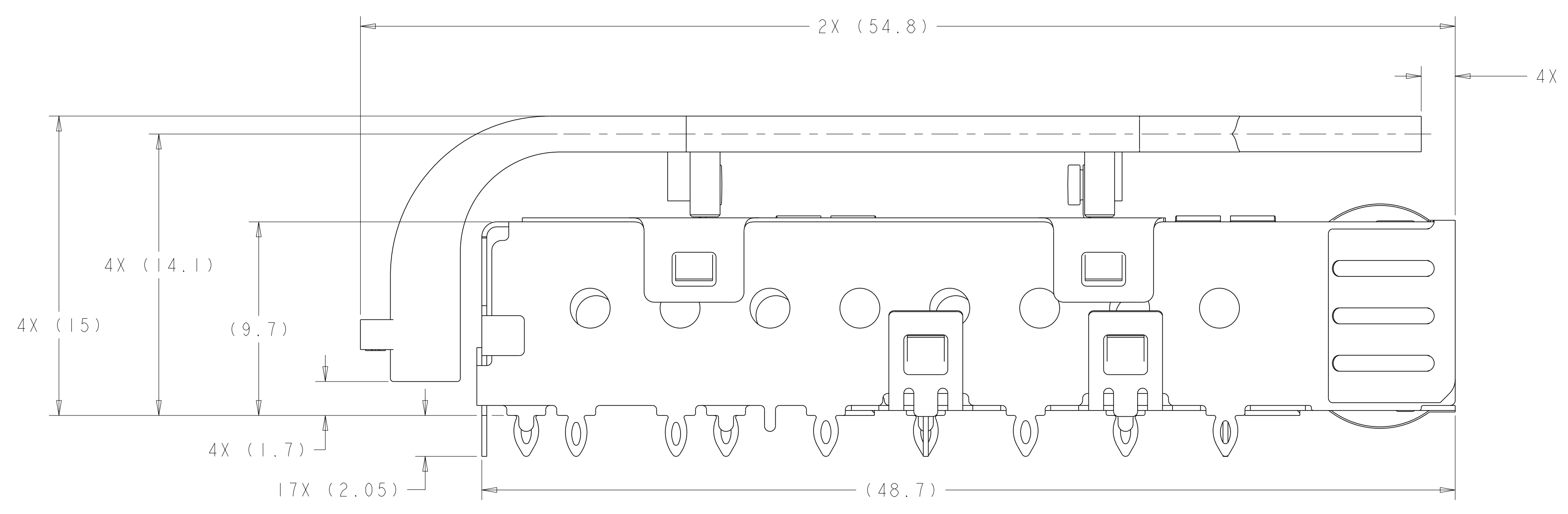
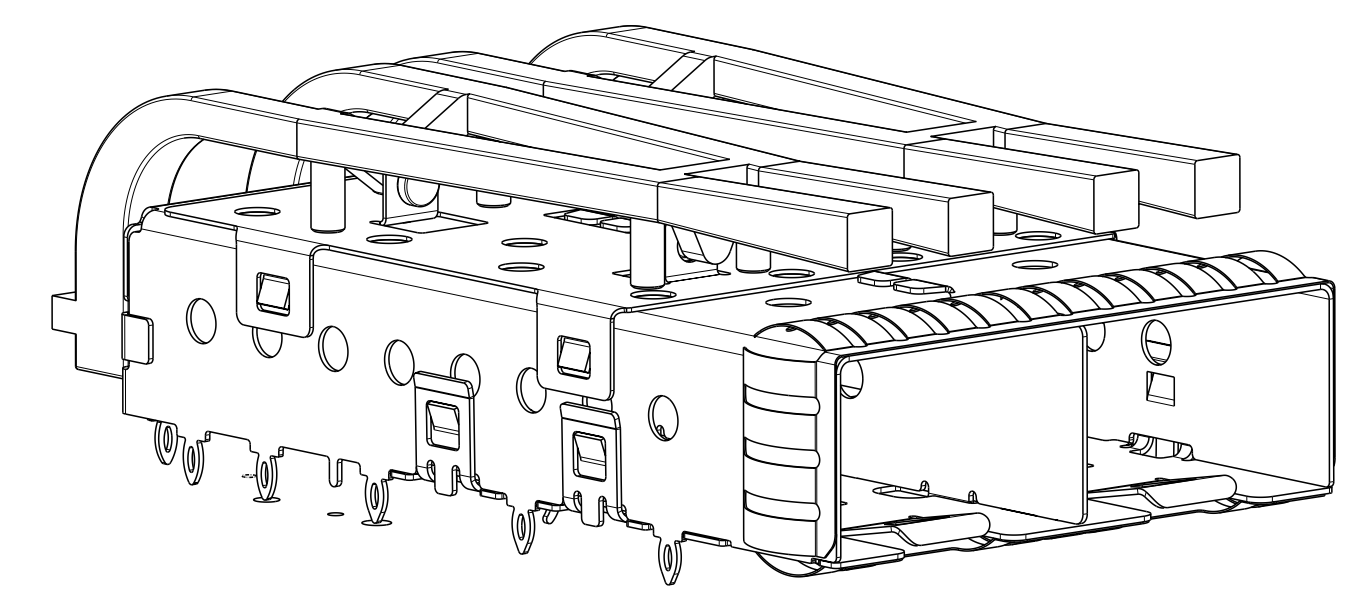
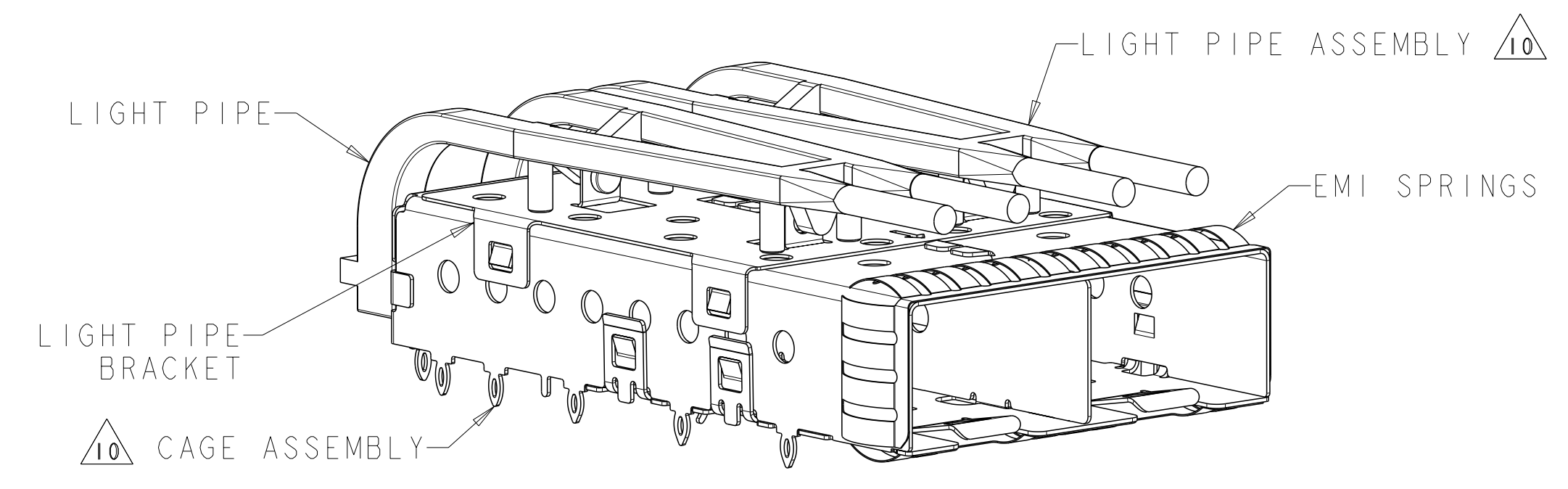


LOC	DIST	REV	DATE	OWN	APVD
GP	00	F2	09NOV2017	IT	SH



- △ MATERIAL:
 CAGE ASSEMBLY: 0.25mm THICK NICKEL SILVER ALLOY
 LIGHT PIPE BRACKET: STAINLESS STEEL
 LIGHT PIPE: POLYCARBONATE, CLEAR
- △ FINISH:
 SPRINGS: MINIMUM OF 0.8um MATTE TIN PLATE OVER A MINIMUM OF 0.8um NICKEL UNDERPLATE. NON-PLATED EDGES PERMISSIBLE.
- 3. MATES WITH SFP MSA COMPLIANT TRANSCEIVERS.
- △ PADS AND VIAS CHASSIS GROUND.
- 5. INTERPRETATION OF DATUM REFERENCE FRAME IN ACCORDANCE WITH SECT 4.4.1.1 OF ASME Y14.5M-1994.
- △ MINIMUM PC BOARD THICKNESS:
 SINGLE SIDED = 1.50
 DOUBLE SIDED = 2.25
- △ HOLE PATTERN REPEATS FOR EACH PORT. SPACING BETWEEN PORTS IS 14.25mm.
- △ REFERENCE APPLICATION SPEC. 114-13120, HOLE A, FOR RECOMMENDED DRILL HOLE DIAMETER AND PLATING THICKNESS.
- △ REFERENCE APPLICATION SPEC. 114-13120, HOLE B, FOR RECOMMENDED DRILL HOLE DIAMETER AND PLATING THICKNESS.
- △ LIGHT PIPE ASSEMBLY SHIPPED UNASSEMBLED TO CAGE ASSEMBLY. CAGE ASSEMBLY TO BE PRESSED INTO THE PCB PRIOR TO ATTACHING THE LIGHT PIPE ASSEMBLY TO THE CAGE.
- △ DATUM AND BASIC DIMENSION ESTABLISHED BY CUSTOMER.
- 12. CERTAIN MATING TRANSCEIVERS MAY REQUIRE ADDITIONAL PCB THICKNESS THAT WOULD NEED TO BE DETERMINED BY THE CUSTOMER.
- 13. PRODUCT COMPLIES WITH SPECIFICATION SFF-8433 IMPROVED PLUGGABLE FORM FACTOR FOR SFP+ GANGED CAGES.
- △ LOW BR/CL AS DEFINED IN TEC-138-702 (PRELIMINARY PART)



2007262-1/-2, 1-2007262-1
 FINISHED ASSEMBLY
 SCALE 3:1

2007262-3
 FINISHED ASSEMBLY

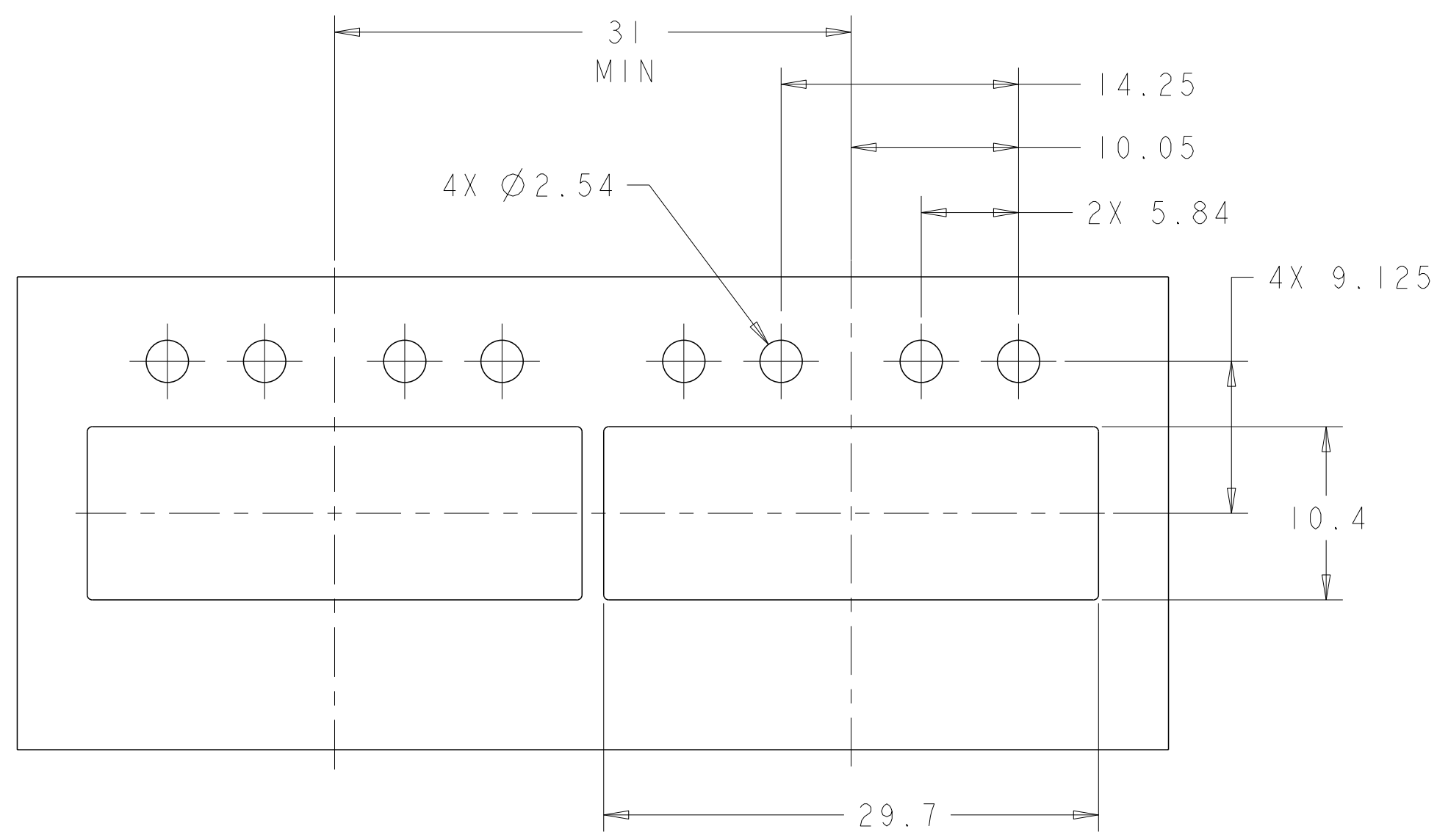
△ (1.7)	1-2007262-1
(2.8)	2007262-3
(2.8)	2007262-2
(1.7)	2007262-1
DIM. A	PART NUMBER

THIS DRAWING IS A CONTROLLED DOCUMENT.

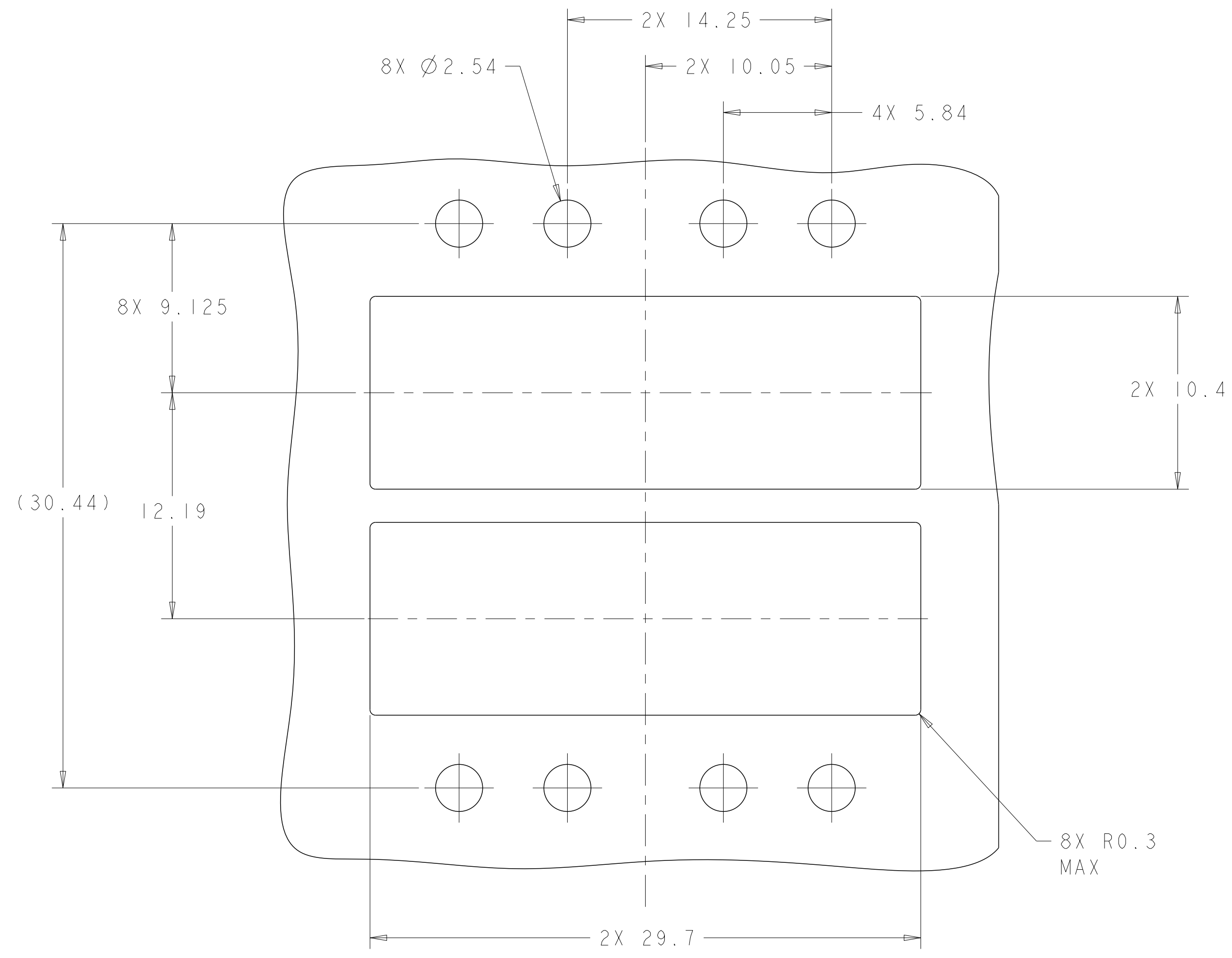
DIMENSIONS:	TOLERANCES UNLESS OTHERWISE SPECIFIED:	OWN M. SCHMITT 18JUL2007	CHK M. SCHMITT 18JUL2007	APVD B. WERTZ 18JUL2007
mm	0 PLC ±0.1 1 PLC ±0.1 2 PLC ±0.1 3 PLC ±0.1 4 PLC ±0.1	NAME SFP+ 1X2 CAGE ASSEMBLY PRESS FIT, EXTERNAL EMI SPRINGS WITH LIGHT PIPES		
MATERIAL		PRODUCT SPEC 108-2364	APPLICATION SPEC 114-13120	SIZE CAGE CODE DRAWING NO. RESTRICTED TO
FINISH		WEIGHT	A1 00779C=2007262	SCALE 6:1 SHEET 1 OF 4 REV F2

Customer Drawing

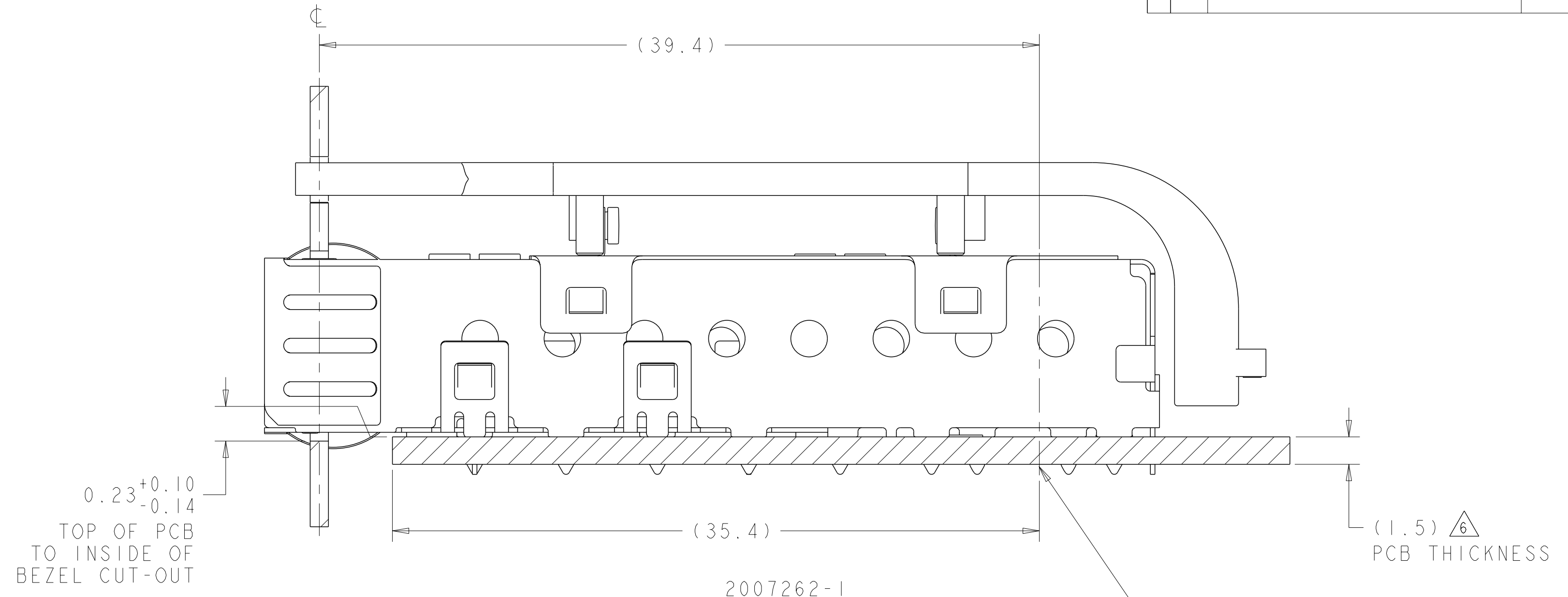
LOC	DIST	REVISIONS			
GP	00	REV	DATE	OWN	APVD
		-	SEE SHEET 1	-	-



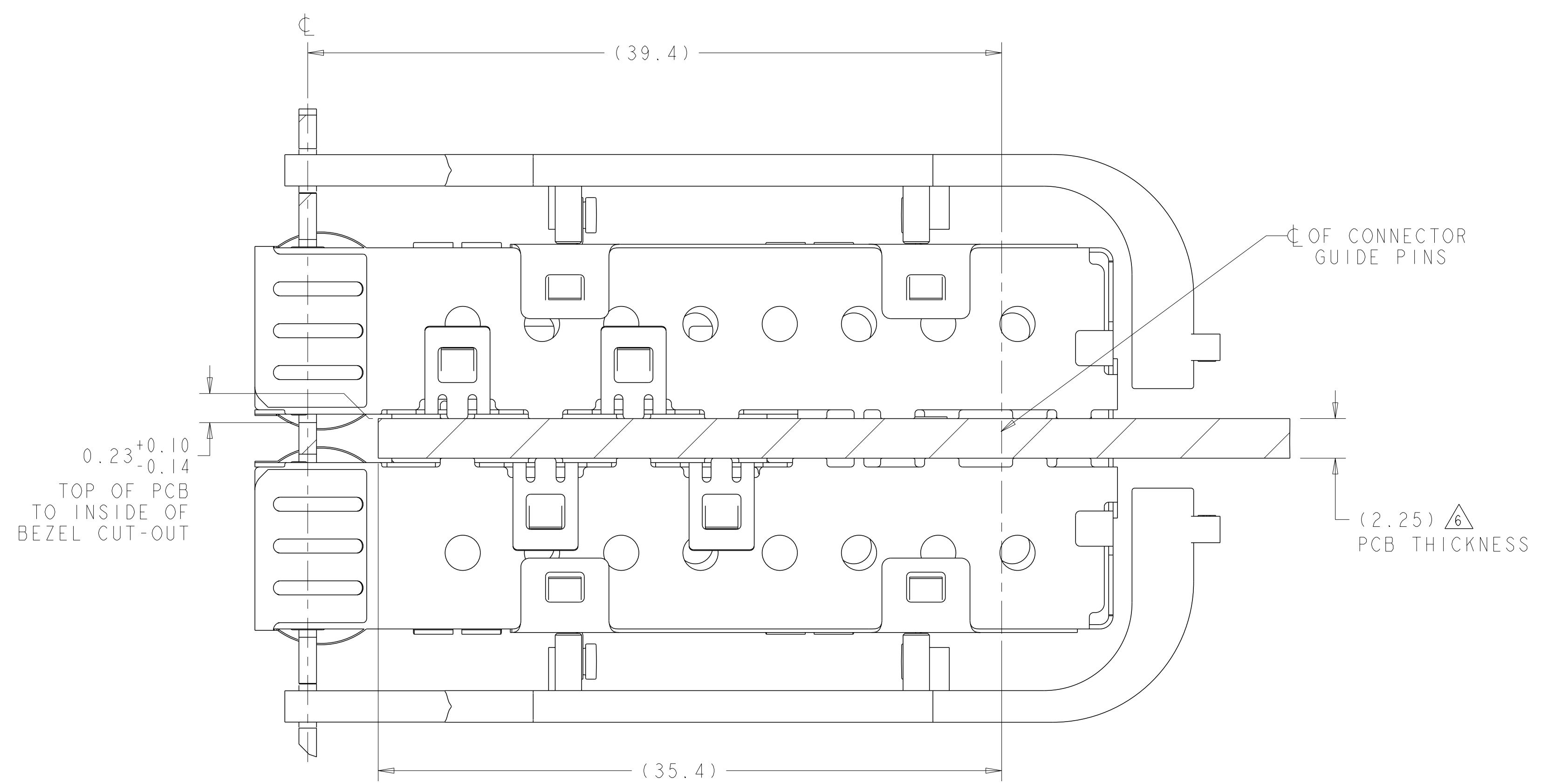
RECOMMENDED BEZEL CUT-OUT
SINGLE SIDED APPLICATIONS
SCALE 3:1



RECOMMENDED BEZEL CUT-OUT
BELLY TO BELLY APPLICATIONS
SCALE 5:1



2007262-1
MOUNTED ON PCB
SHOWN THRU RECOMMENDED BEZEL
SCALE 5:1



2007262-1
MOUNTED BELLY TO BELLY ON PCB
SHOWN THRU RECOMMENDED BEZEL
SCALE 5:1

THIS DRAWING IS A CONTROLLED DOCUMENT.		OWN: M. SCHMITT 18JUL2007	TE Connectivity
DIMENSIONS: mm		CHK: M. SCHMITT 18JUL2007	
TOLERANCES UNLESS OTHERWISE SPECIFIED:		APVD: B. WERTZ 18JUL2007	
0 PLC ±0.1 1 PLC ±0.1 2 PLC ±0.1 3 PLC ±0.1 4 PLC ±0.1 ANGLES ±1°		NAME: SFP+ 1X2 CAGE ASSEMBLY PRODUCT SPEC: 108-2364 APPLICATION SPEC: 114-13120 WEIGHT: - Customer Drawing	
MATERIAL: -		SIZE: A1	CAGE CODE: 2007262 DRAWING NO: 2007262 SCALE: 6:1 SHEET: 2 OF 4 REV: F2

X-ON Electronics

Largest Supplier of Electrical and Electronic Components

Click to view similar products for [I/O Connectors](#) category:

Click to view products by [TE Connectivity](#) manufacturer:

Other Similar products are found below :

[571763P](#) [72.250.1628.2](#) [72.250.2428.2](#) [74720-0505](#) [76.350.0729.0](#) [76871-1403](#) [FCN-244F080-G/1](#) [FCN-260A9920](#) [MP-5T180MUNNA-005](#)
[PCR-E36PM](#) [PCS-XE26MA+](#) [G38A71314B](#) [1571250010](#) [157-22500-3](#) [MS3471L14-19P L/C](#) [91-569786-35H](#) [172501-4002](#) [172501-6002](#)
[FCN-260C008-A/L0](#) [FCN-260C024-AL0](#) [FCN-261Z008](#) [2000314-1](#) [200331-1](#) [PCR-E36FC+](#) [PCS-E28FS+](#) [PCS-XE26SLFD+](#) [PCS-](#)
[XE26SLFDT+](#) [G730VID08BDC24](#) [U90B2054081210](#) [UE86K842720321](#) [38113800006](#) [DP3AR020WQ1R200](#) [Z4.102.0680.0](#) [500-1040](#)
[500-1052](#) [500-1054](#) [ZP-4008-66L](#) [0709821002](#) [10-565995-597N](#) [DX40-20P\(55\)](#) [5554841-1](#) [MS3474W18-8P-LC*](#) [U90B3054061110](#) [U65-](#)
[E04-4020](#) [ZPF000000000097891](#) [557-262M2-06C](#) [747360449](#) [10099439-003C-TRLF](#) [10137239-0021LF](#) [E9320-001-01](#)