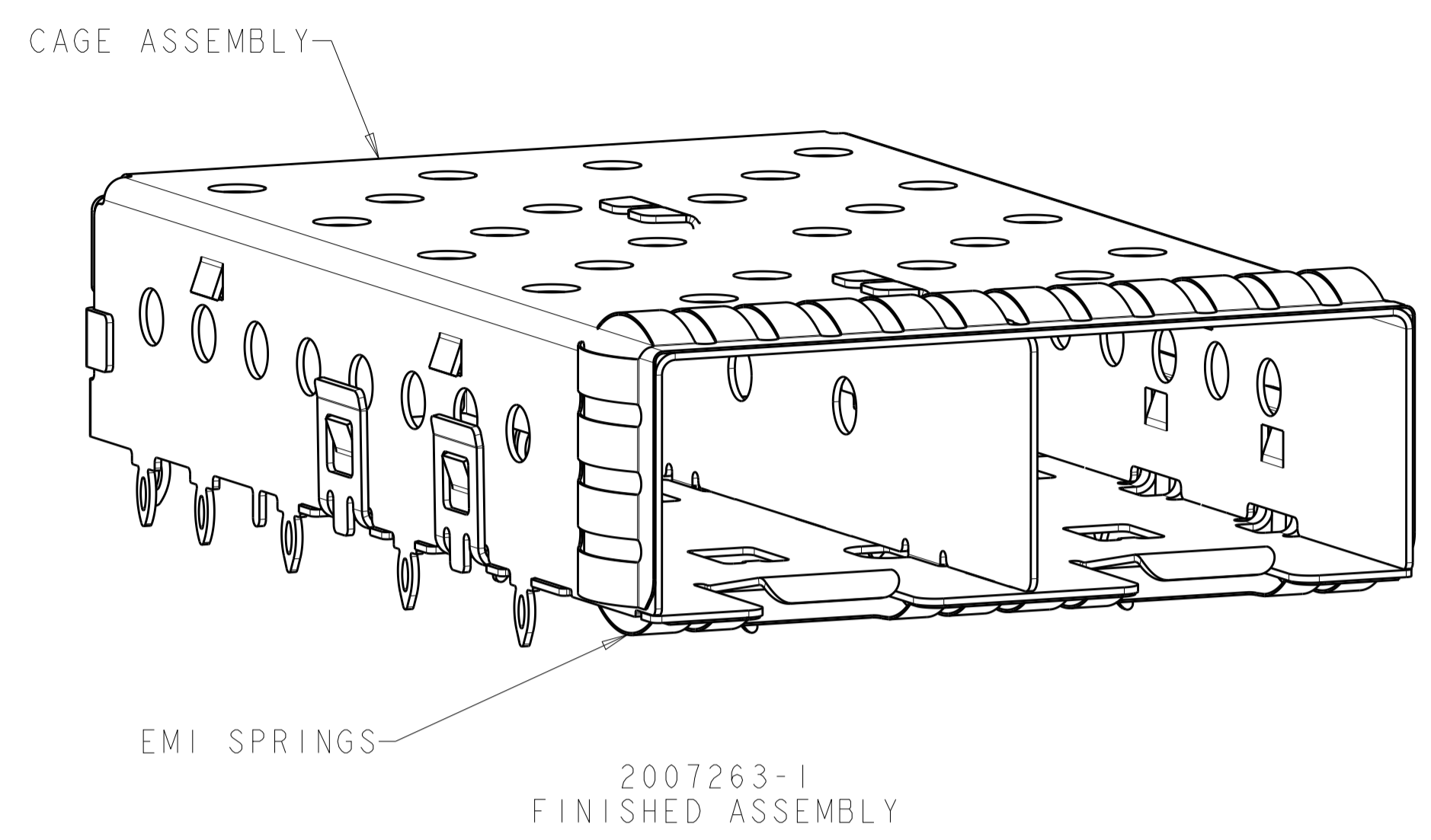
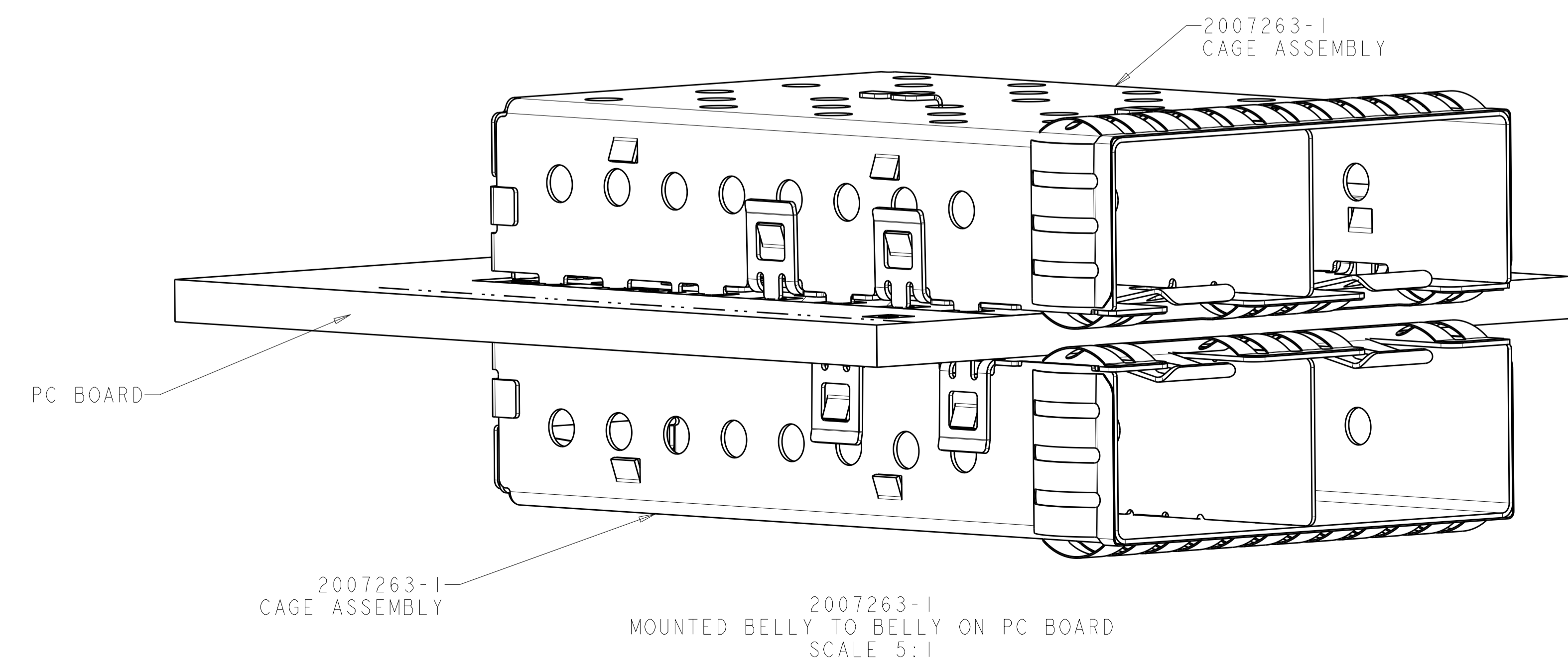
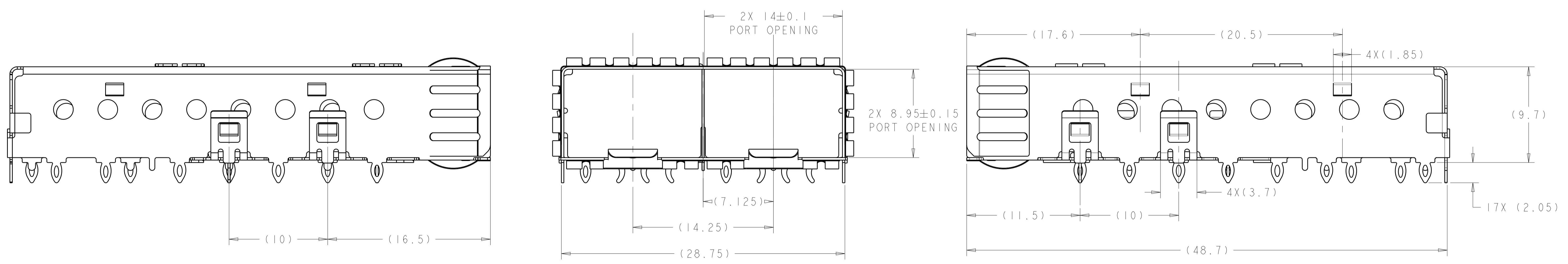


LOC	DIST	REVISIONS			
P	LTN	DESCRIPTION	DATE	DWN	APVD
GP	00				
D1		REVISED PER ECO-13-017631	04DEC2013	JZ	SH
E		REVISED PER ECO-16-000138	06JAN2016	AJ	SH
E1		REVISED PER ECO-16-003066	03MAR2016	PP	SH
F		REVISED PER ECO-19-017939	04NOV2019	ES	SH



- 1. MATERIAL: CAGE ASSEMBLY: 0.25mm THICK NICKEL SILVER ALLOY
EMI SPRINGS: COPPER ALLOY
- 2. FINISH:
SPRINGS - MINIMUM OF 0.8um MATTE TIN PLATED OVER A MINIMUM OF 0.8um NICKEL UNDERPLATE.
NON-PLATED EDGES PERMISSIBLE.
- 3. MATES WITH SFP MSA COMPLIANT TRANSCEIVERS.
- 4. PADS AND VIAS CHASSIS GROUND.
- 5. INTERPRETATION OF DATUM REFERENCE FRAME IN ACCORDANCE WITH SECT 4.4.1.1 OF ASME Y14.5M-1994.
- 6. MINIMUM PC BOARD THICKNESS:
SINGLE SIDED = 1.50
DOUBLE SIDED = 2.25
- 7. HOLE PATTERN REPEATS FOR EACH PORT, SPACING BETWEEN PORTS IS 14.25mm.
- 8. DATUM AND BASIC DIMENSION ESTABLISHED BY CUSTOMER.
- 9. REFERENCE APPLICATION SPEC. 114-13120, HOLE A, FOR RECOMMENDED DRILL HOLE DIAMETER AND PLATING THICKNESS.
- 10. REFERENCE APPLICATION SPEC. 114-13120, HOLE B, FOR RECOMMENDED DRILL HOLE DIAMETER AND PLATING THICKNESS.
- 11. CERTAIN MATING TRANSCEIVERS MAY REQUIRE ADDITIONAL PCB THICKNESS THAT WOULD NEED TO BE DETERMINED BY THE CUSTOMER.
- 12. PRODUCT COMPLIES WITH SPECIFICATION SFF-8433 IMPROVED PLUGGABLE FORM FACTOR FOR SFP+ GANGED CAGES.
- 13. THERE ARE NO BOTTOM CRESCENT PINS IN 2007263-1.
- 14. THESE HOLES OF PCB SHOULD NOT EXIST FOR 2007263-3.



2007263-7
2007263-5
2007263-3
2007263-1
PART NUMBER

THIS DRAWING IS A CONTROLLED DOCUMENT.

DIMENSIONS: mm

TOLERANCES UNLESS OTHERWISE SPECIFIED:

0 PLC	±0.1
1 PLC	±0.1
2 PLC	±0.1
3 PLC	±0.1
4 PLC	±0.1
ANGLES	±1°

MATERIAL: FINISH:

CUSTOMER DRAWING

DWN: M. SCHMITT 17JUL2007
CHK: M. SCHMITT 17JUL2007
APVD: B. WERTZ 17JUL2007

NAME: SFP+ 1X2 CAGE ASSEMBLY
PRESS FIT, EXTERNAL EMI SPRINGS

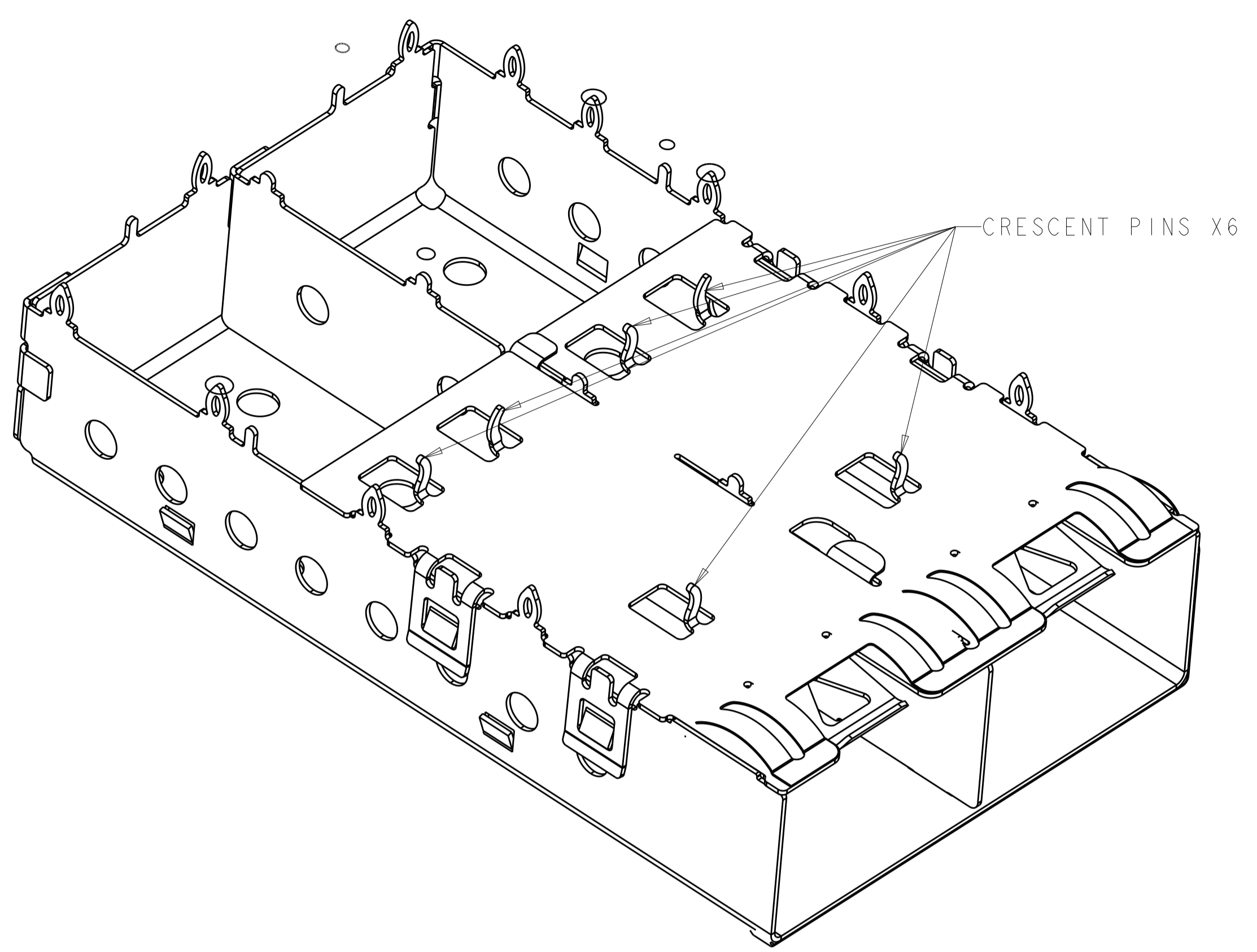
PRODUCT SPEC: 108-2364
APPLICATION SPEC: 114-13120

SIZE: A1 CAGE CODE: 00779 DRAWING NO: 2007263

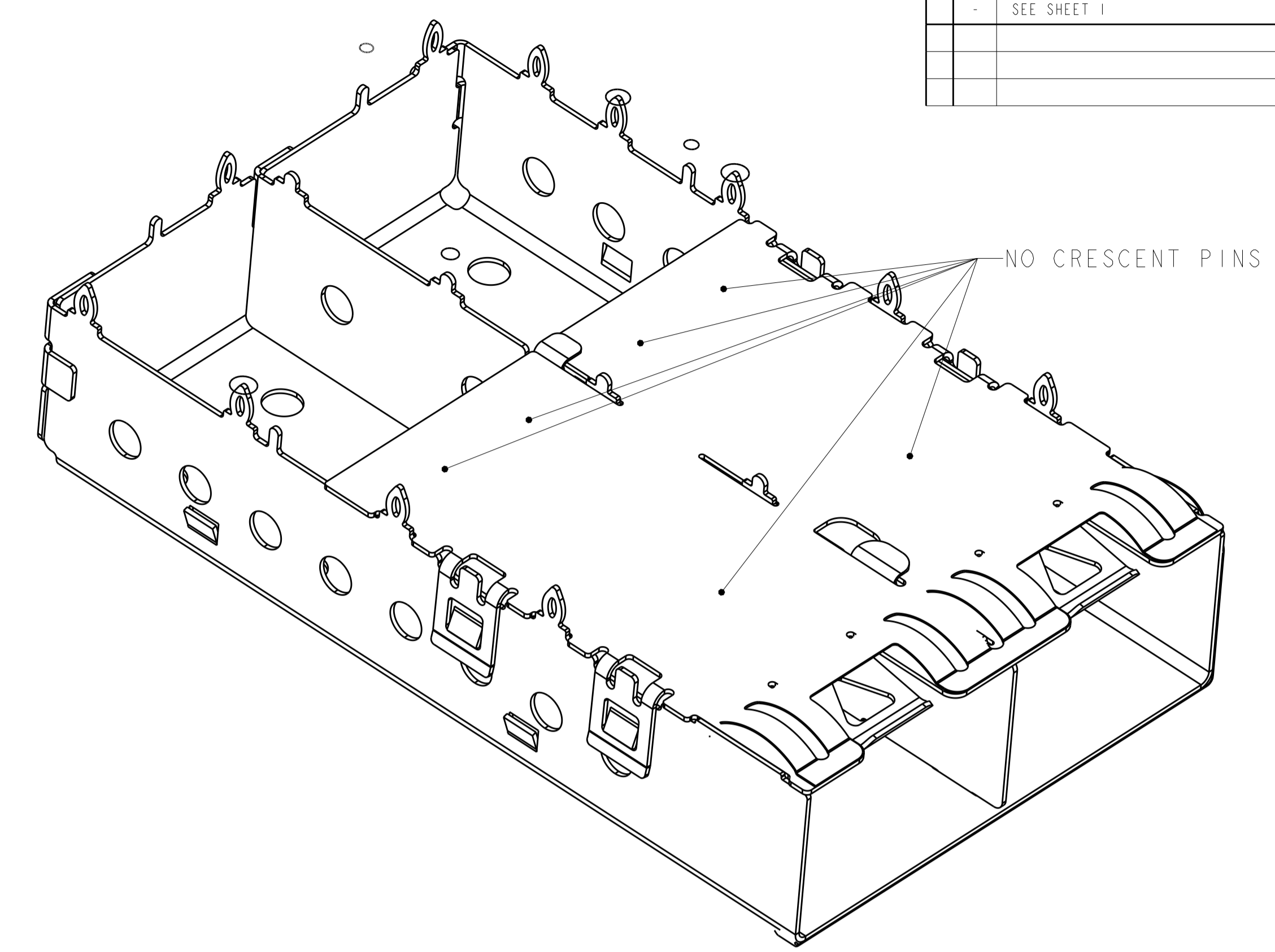
RESTRICTED TO: -

SCALE: 5:1 SHEET: 1 OF 9 REV: F

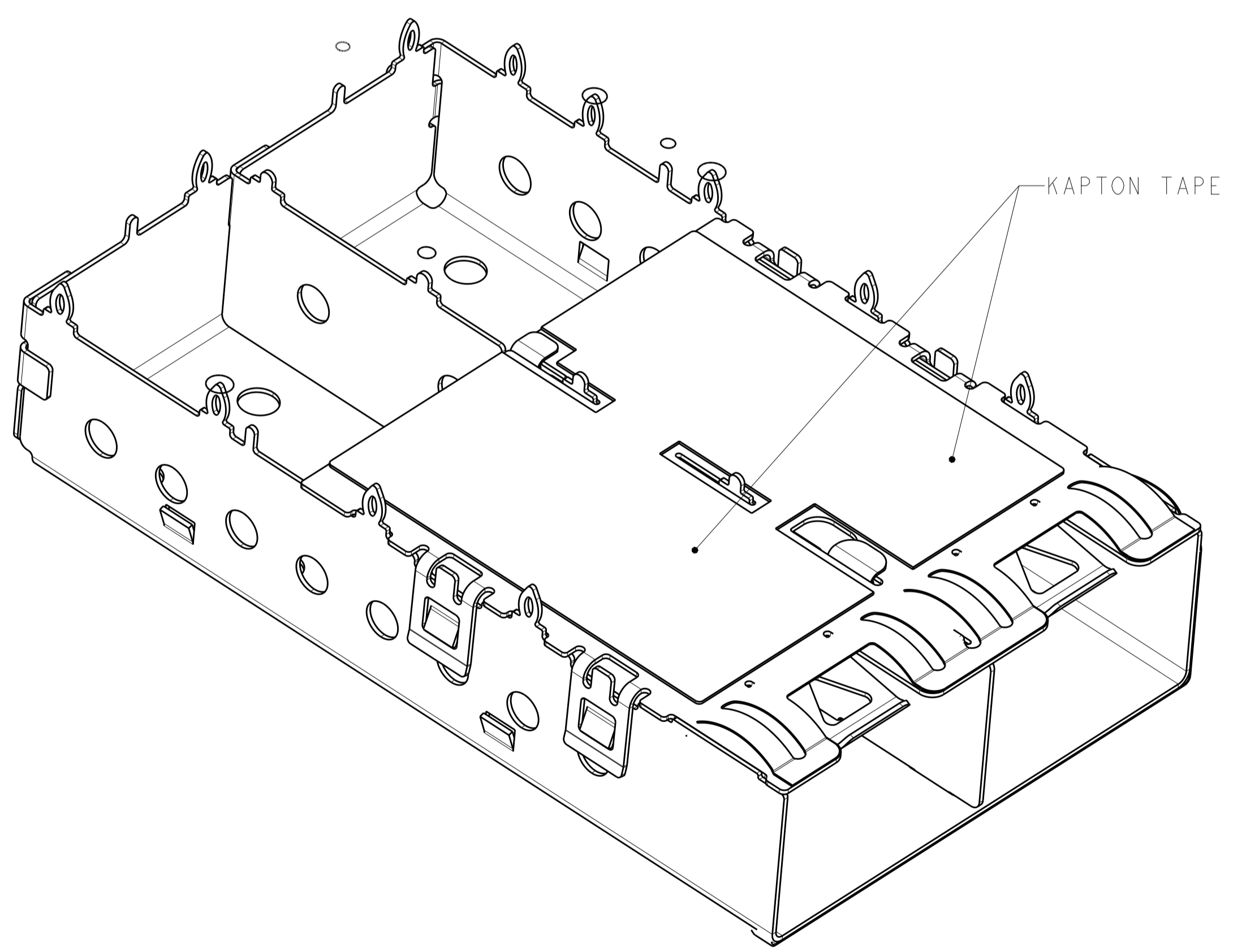
LOC		DIST		REVISIONS			
GP	00	P	LYR	DESCRIPTION	DATE	DMN	APVD
				SEE SHEET 1			



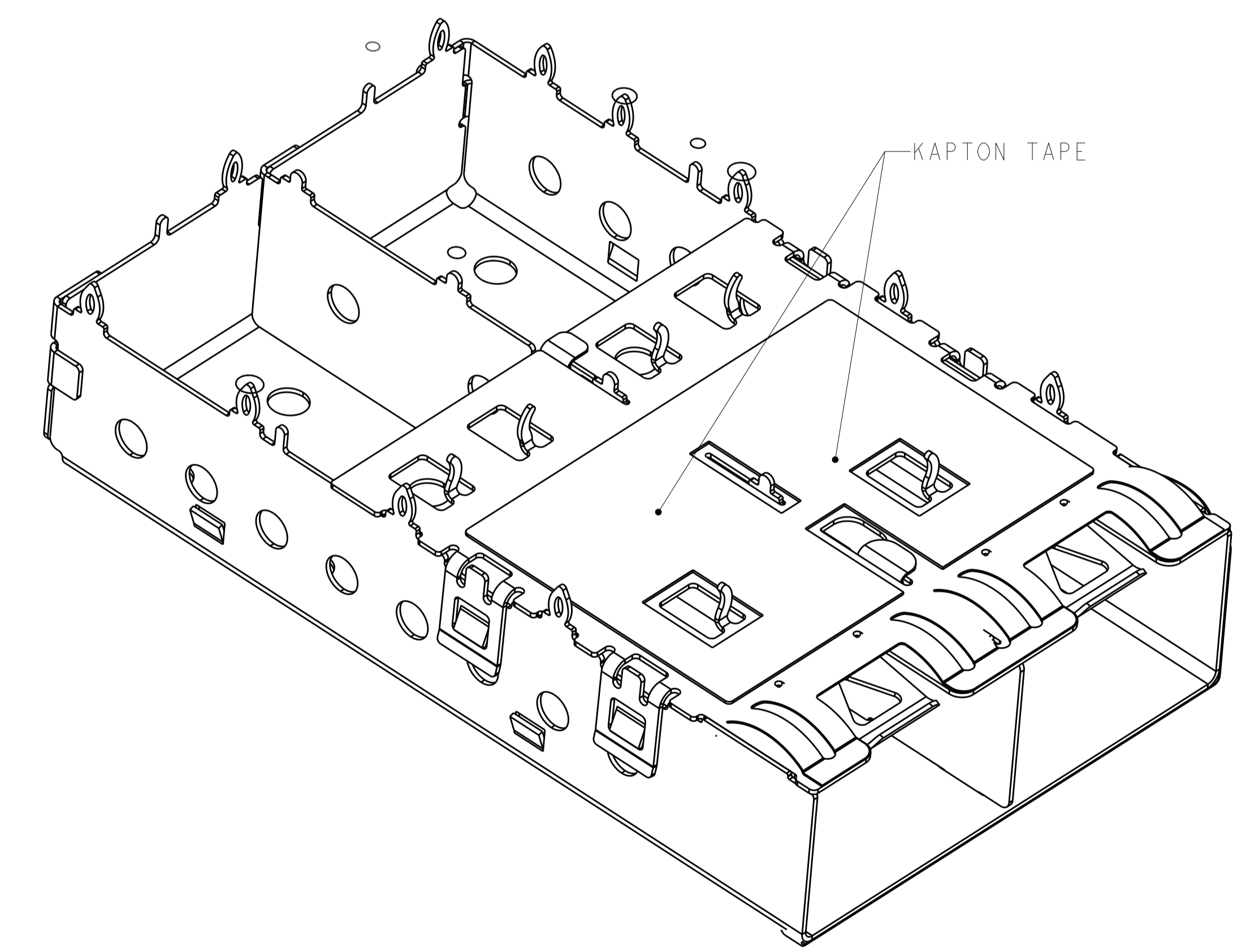
2007263-1 AS SHOWN
 WITH CRESCENT PINS X6
 SCALE 5:1



2007263-3 IS THE SAME TO 2007263-1 AS SHOWN Δ
 EXCEPT WITH NO CRESCENT PINS
 SCALE 5:1



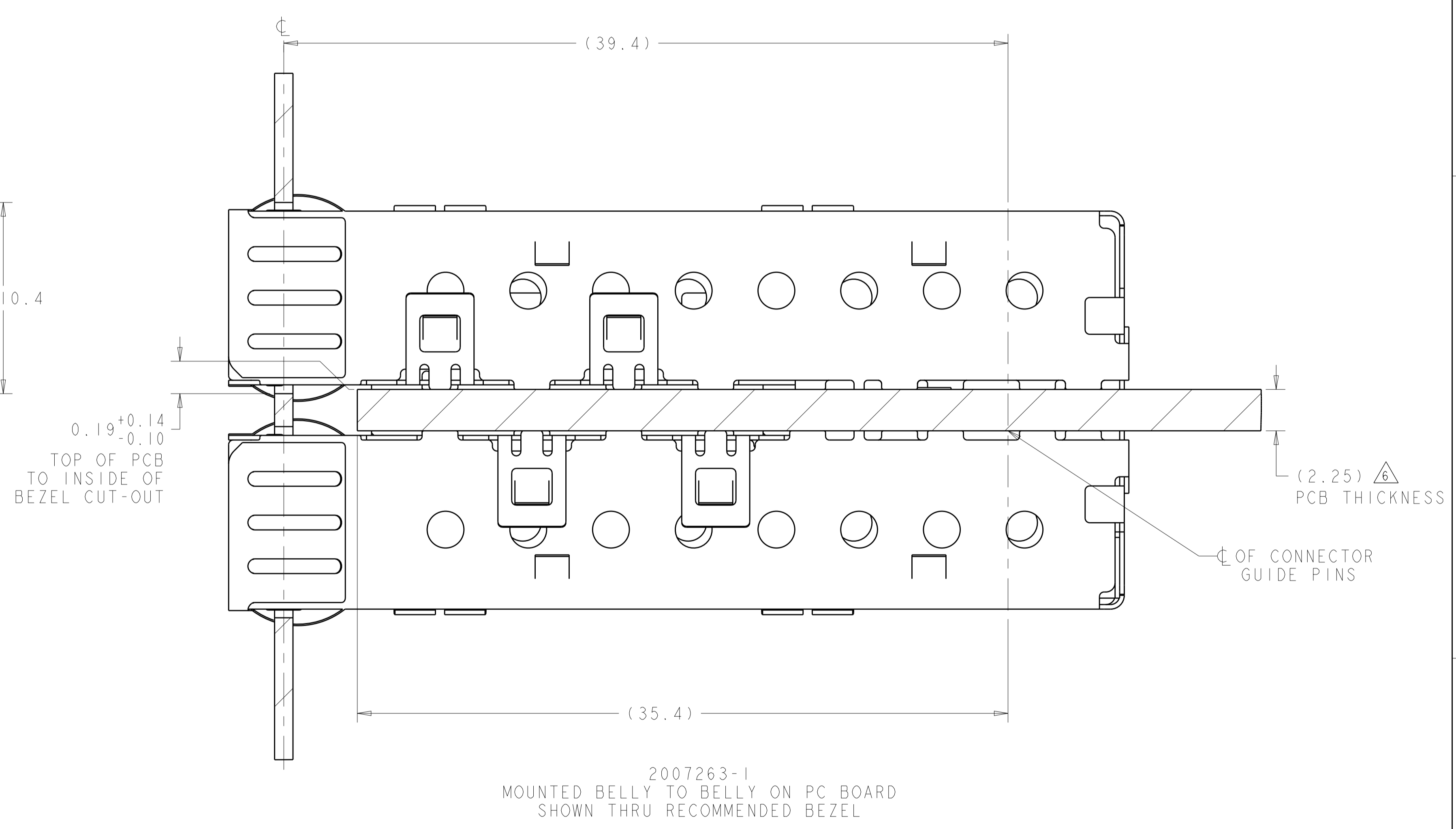
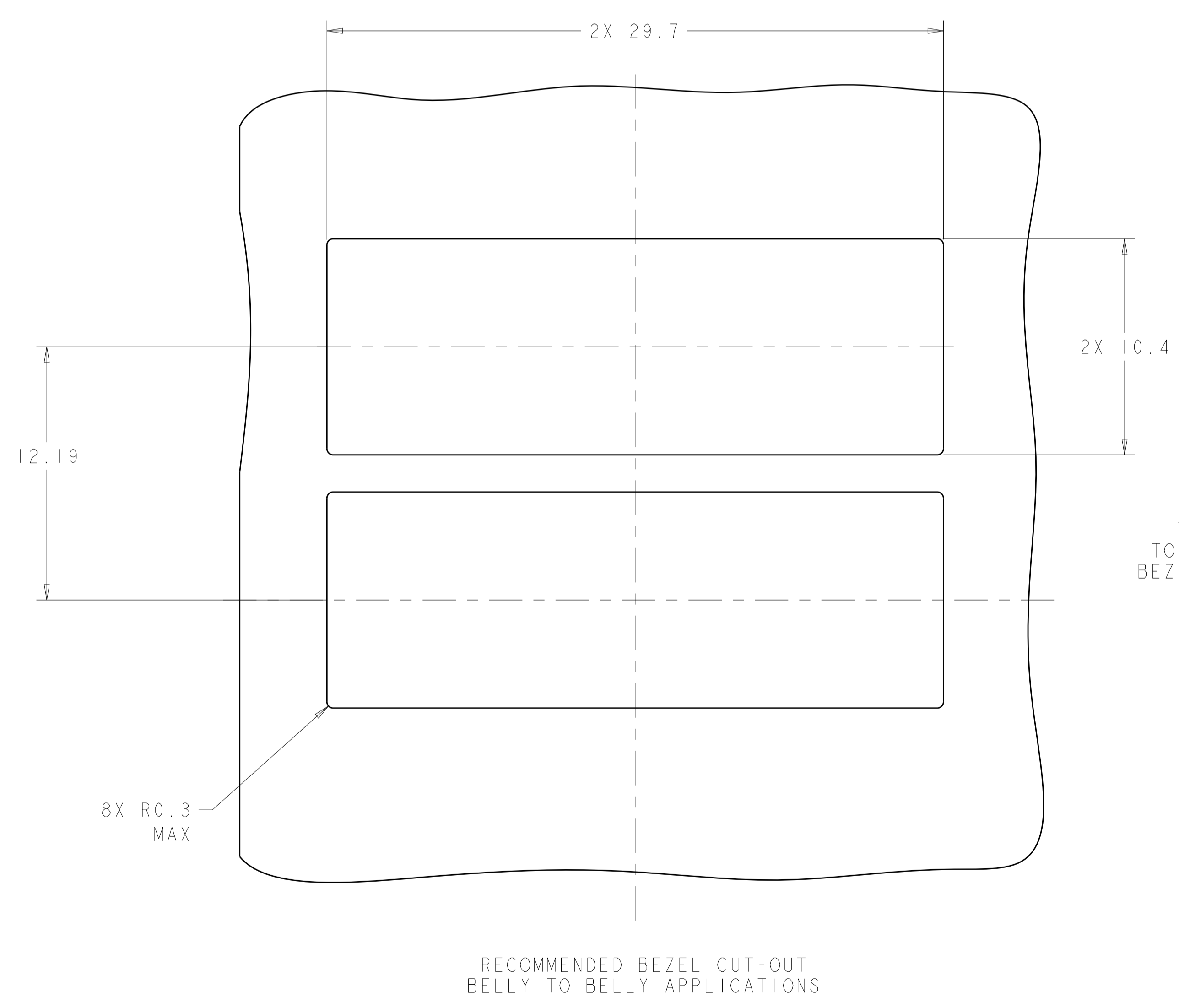
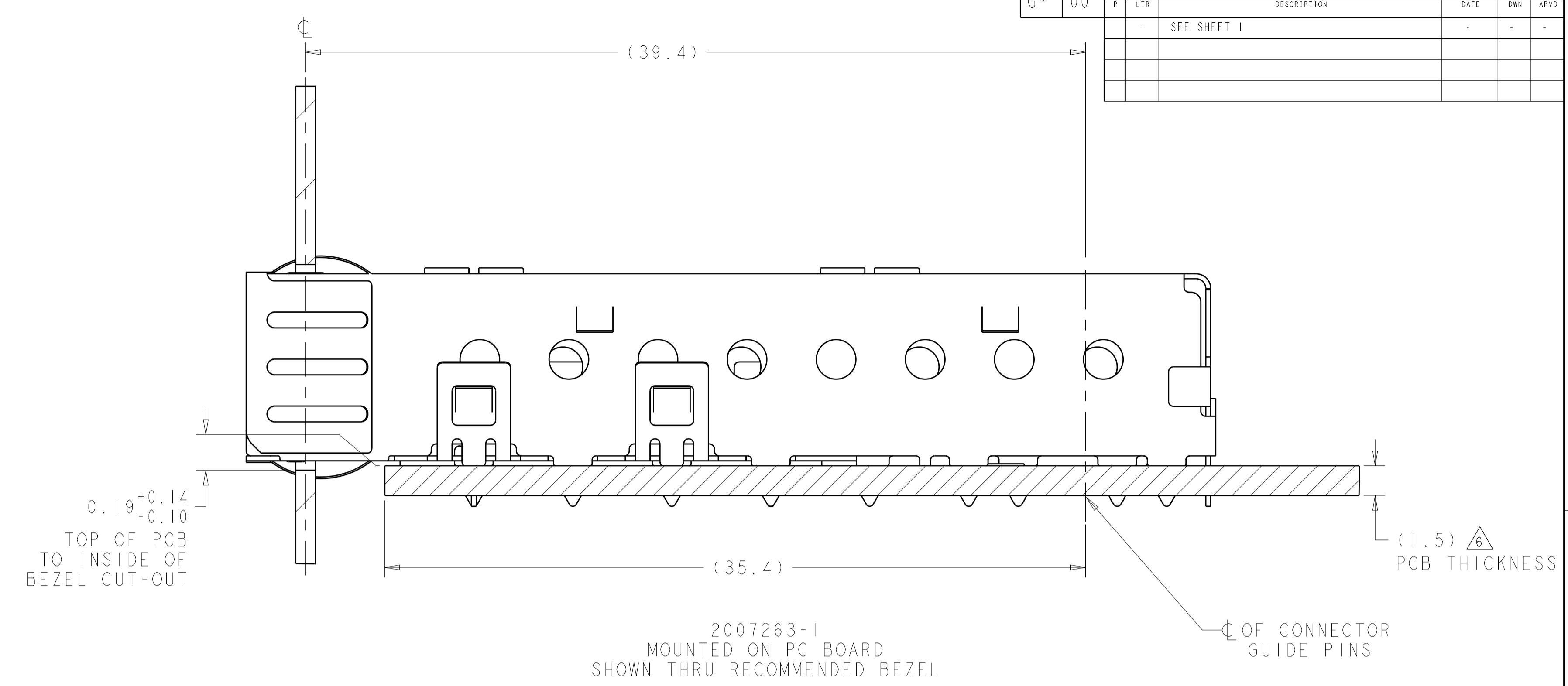
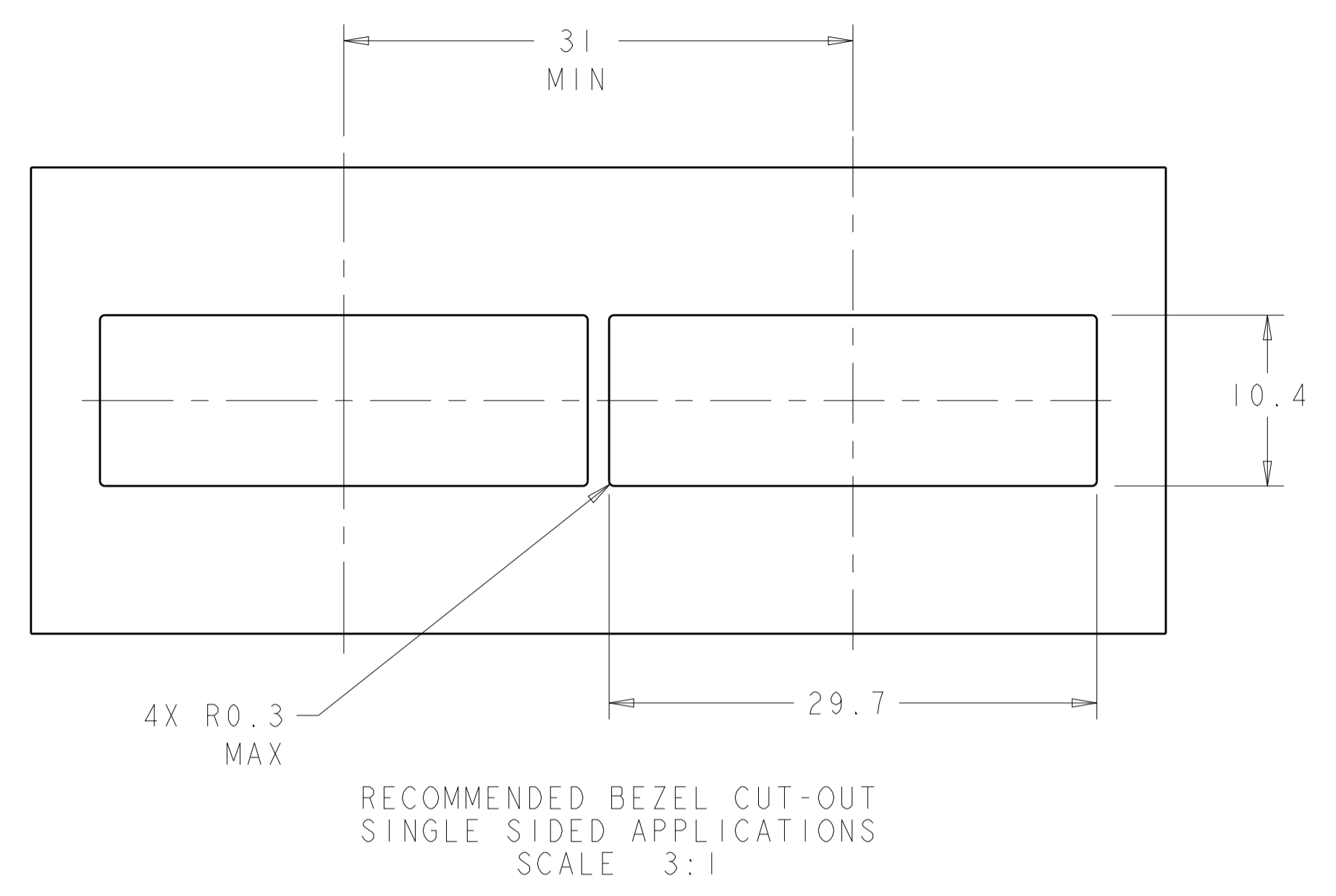
2007263-5 IS AS SHOWN WITH KAPTON TAPE
 SCALE 5:1



2007263-7 IS THE SAME TO 2007263-1 AS SHOWN
 EXCEPT WITH KAPTON TAPE
 SCALE 5:1

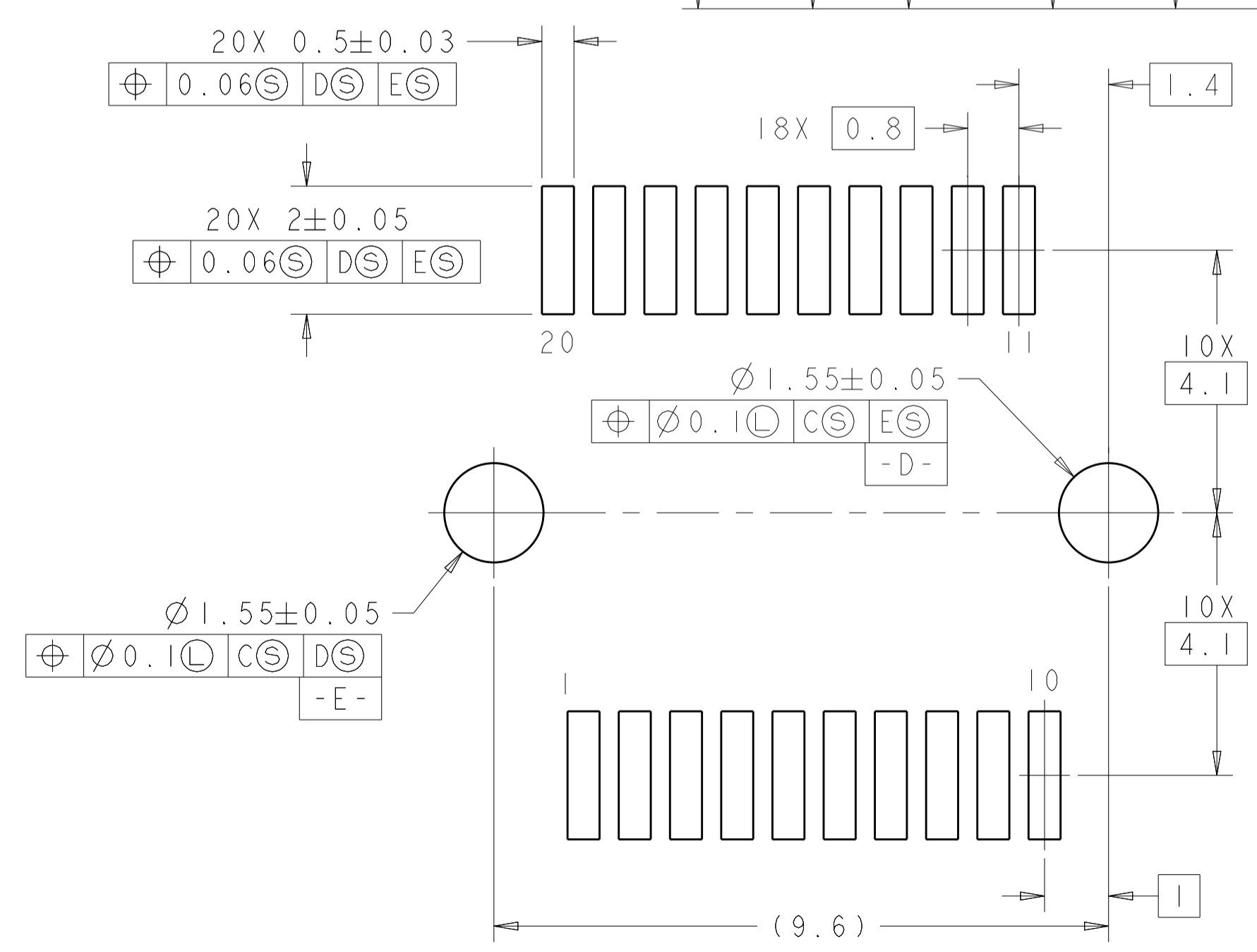
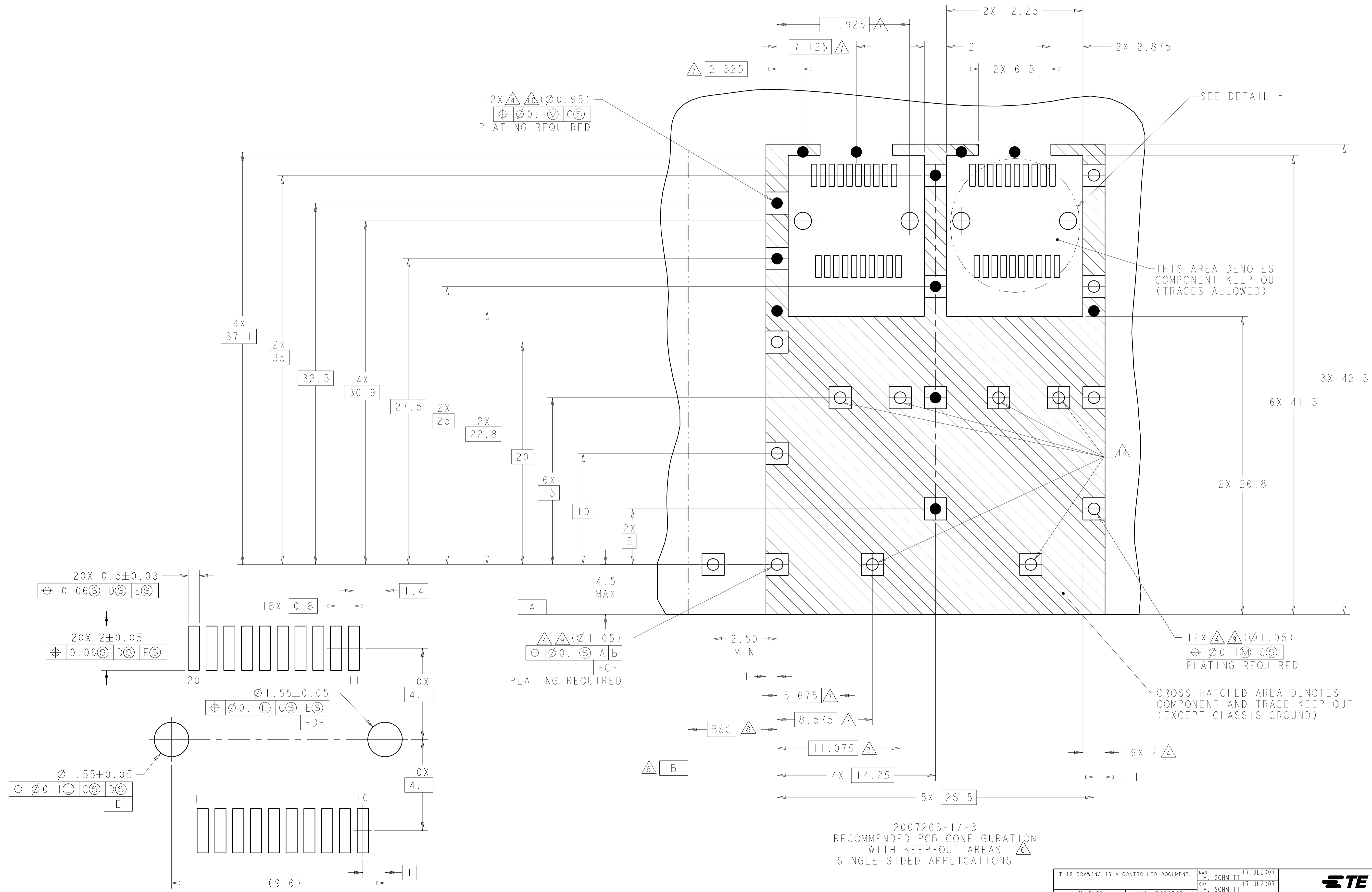
THIS DRAWING IS A CONTROLLED DOCUMENT.		DMN M. SCHMITT 17JUL2007	STE TE Connectivity
DIMENSIONS:		CHK M. SCHMITT 17JUL2007	
mm	TOLERANCES UNLESS OTHERWISE SPECIFIED:	APVD B. WERTZ 17JUL2007	NAME SFP+ 1X2 CAGE ASSEMBLY PRESS FIT, EXTERNAL EMI SPRINGS
0 PLC ± 0.1	1 PLC ± 0.1	PRODUCT SPEC 108-2364	SIZE CAGE CODE DRAWING NO RESTRICTED TO
2 PLC ± 0.1	3 PLC ± 0.1	APPLICATION SPEC	A100779C=2007263
4 PLC ± 0.1	ANGLES ± 0.1	114-13120	SCALE 6:1 SHEET 2 OF 9 REV F
MATERIAL FINISH	WEIGHT	CUSTOMER DRAWING	

LOC	DIST	REVISIONS					
GP	00	P	LTN	DESCRIPTION	DATE	DMN	APVD
-	-	-	-	SEE SHEET 1	-	-	-



THIS DRAWING IS A CONTROLLED DOCUMENT.		DMN M. SCHMITT 17JUL2007	TE Connectivity NAME SFP+ 1X2 CAGE ASSEMBLY PRESS FIT, EXTERNAL EMI SPRINGS
DIMENSIONS: mm		CHK M. SCHMITT 17JUL2007	
TOLERANCES UNLESS OTHERWISE SPECIFIED:		APVD B. WERTZ 17JUL2007	
0 PLC ± 0.1 1 PLC ± 0.1 2 PLC ± 0.1 3 PLC ± 0.1 4 PLC ± 0.1 ANGLES $\pm 1^\circ$ FINISH		PRODUCT SPEC 108-2364 APPLICATION SPEC 114-13120 WEIGHT CUSTOMER DRAWING	
MATERIAL		SIZE CAGE CODE DRAWING NO. A100779C=2007263	RESTRICTED TO
		SCALE 6:1 SHEET 3 OF 9 REV F	

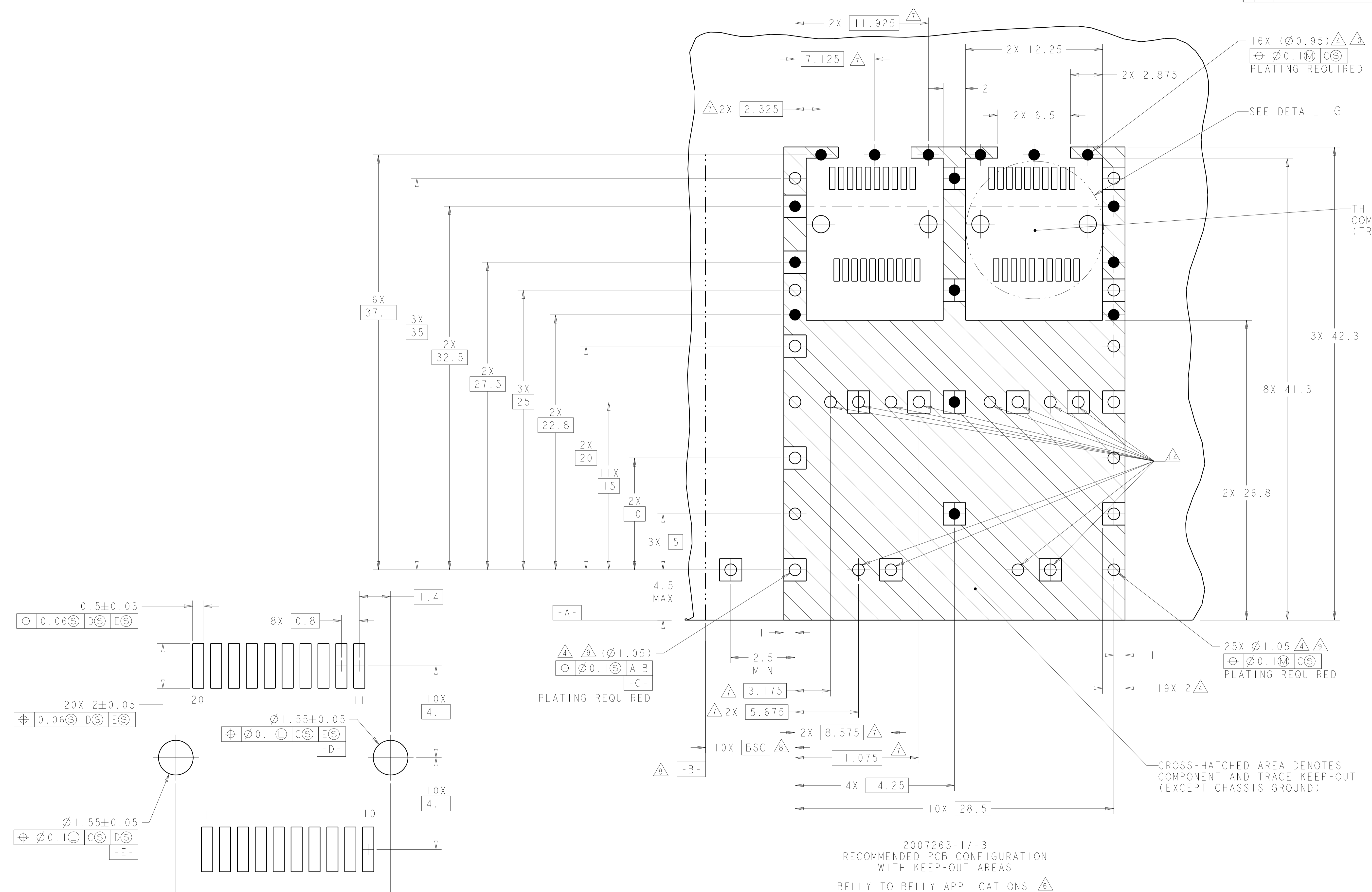
LOC		DIST		REVISONS				
P	LTN	DATE	DMN	APVD	DESCRIPTION	DATE	DMN	APVD
-	-	-	-	-	SEE SHEET 1	-	-	-



DETAIL F
 RECOMMENDED PT CONNECTOR LAYOUT
 2X INDIVIDUALLY
 SCALE 12:1

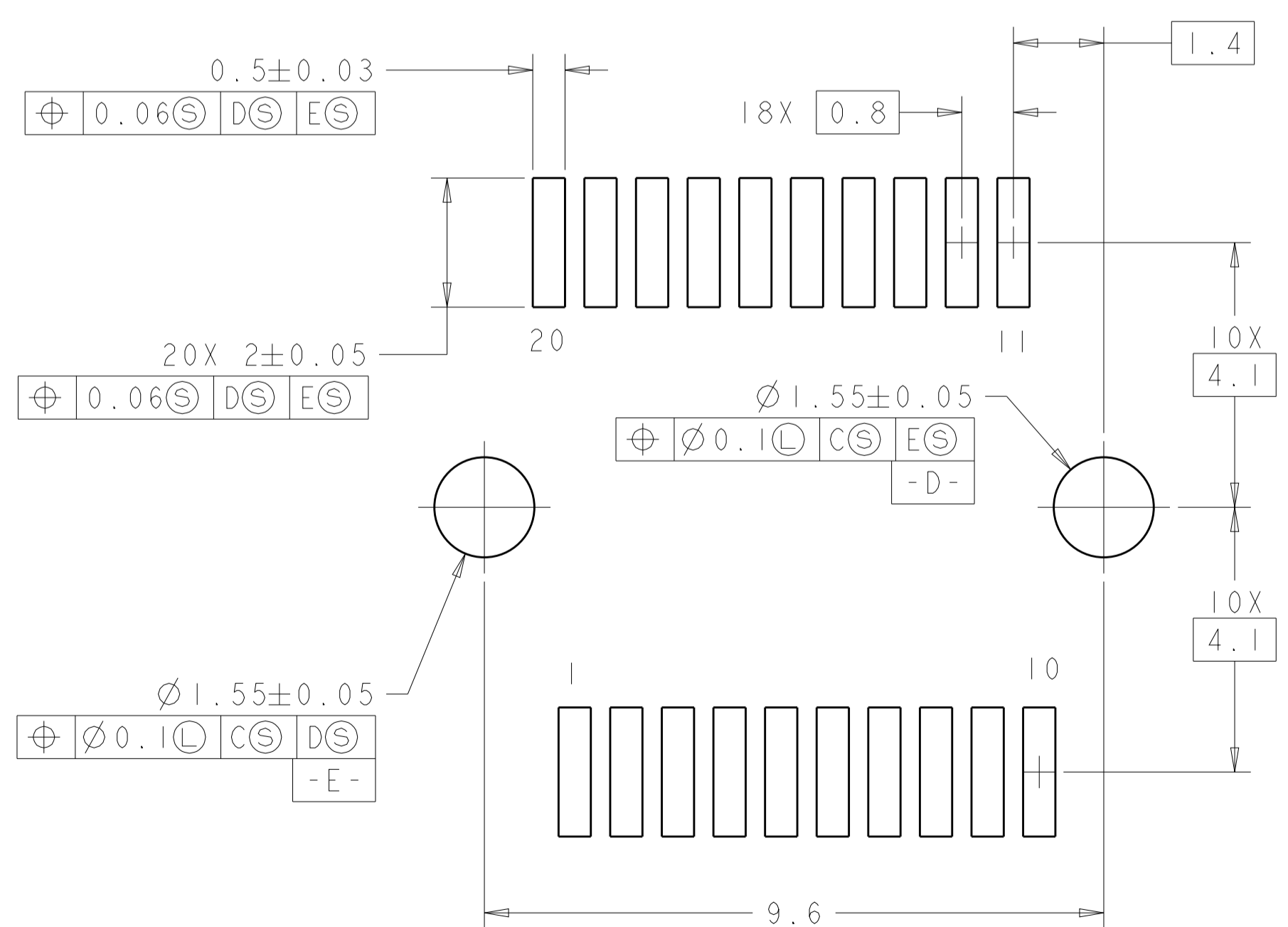
THIS DRAWING IS A CONTROLLED DOCUMENT.		DMN M. SCHMITT 17JUL2007	TE Connectivity NAME SFP+ 1X2 CAGE ASSEMBLY PRESS FIT, EXTERNAL EMI SPRINGS
DIMENSIONS:		CHK M. SCHMITT 17JUL2007	
TOLERANCES UNLESS OTHERWISE SPECIFIED:		APVD B. WERTZ 17JUL2007	PRODUCT SPEC
mm			108-2364
0 PLC \pm 0.1			APPLICATION SPEC
1 PLC \pm 0.1			114-13120
2 PLC \pm 0.1			WEIGHT
3 PLC \pm 0.1			110779C=2007263
4 PLC \pm 0.1			CUSTOMER DRAWING
ANGLES \pm 1°			SCALE 6:1 SHEET 4 OF 9 REV F

LOC	DIST	REV	DATE	APP'D
GP	00			



THIS AREA DENOTES COMPONENT KEEP-OUT (TRACES ALLOWED)

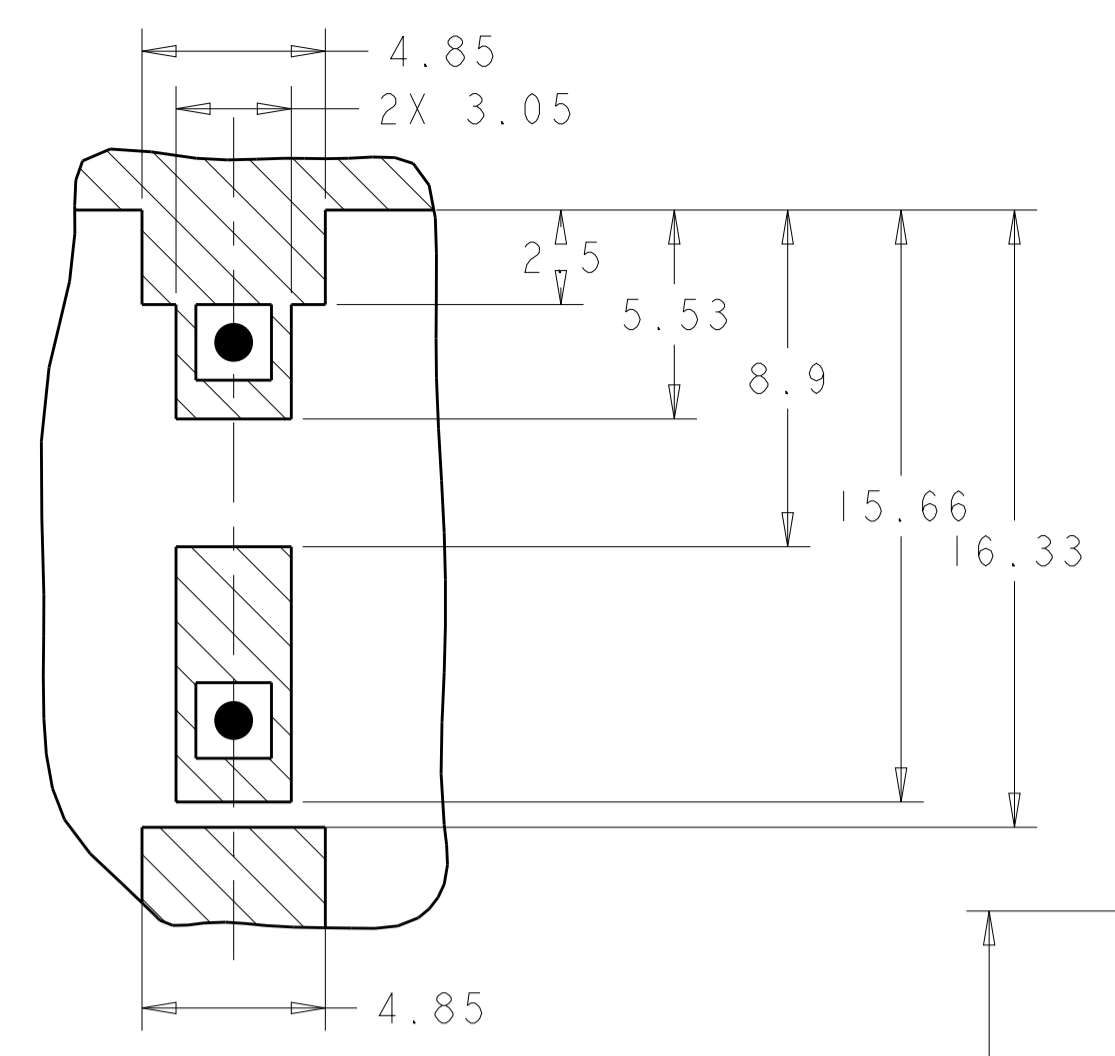
CROSS-HATCHED AREA DENOTES COMPONENT AND TRACE KEEP-OUT (EXCEPT CHASSIS GROUND)



2007263-1/-3
 RECOMMENDED PCB CONFIGURATION
 WITH KEEP-OUT AREAS
 BELLY TO BELLY APPLICATIONS
 SCALE 6:1

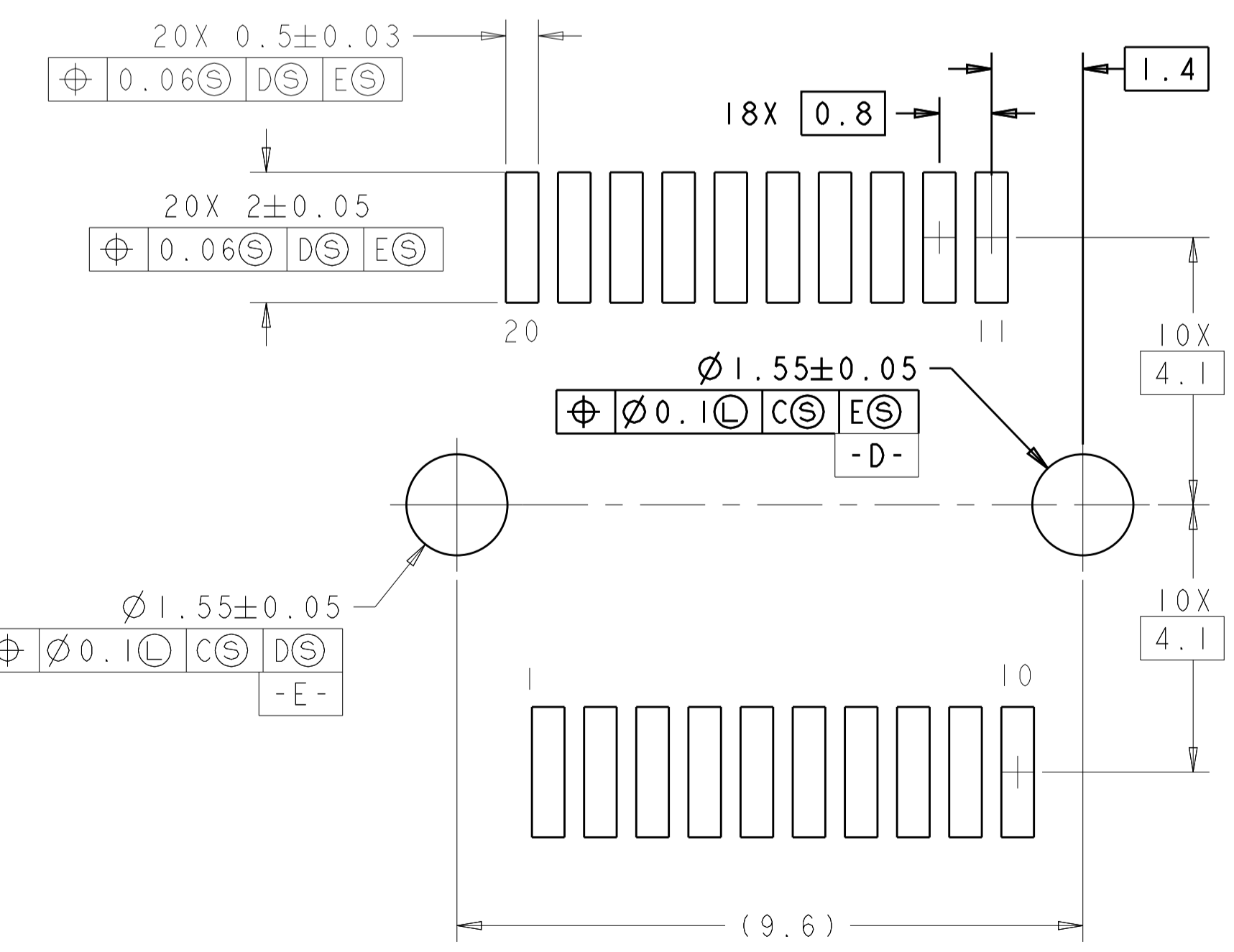
THIS DRAWING IS A CONTROLLED DOCUMENT.		OWN: M. SCHMITT 17JUL2007	TE Connectivity NAME: SFP+ 1X2 CAGE ASSEMBLY PRESS FIT, EXTERNAL EMI SPRINGS
DIMENSIONS: mm		CHK: M. SCHMITT 17JUL2007	
TOLERANCES UNLESS OTHERWISE SPECIFIED:		APP'D: B. WERTZ 17JUL2007	
0 PLC ±0.1 1 PLC ±0.1 2 PLC ±0.1 3 PLC ±0.1 4 PLC ±0.1 ANGLES ±1°		PRODUCT SPEC: 108-2364	RESTRICTED TO: -
MATERIAL:		APPLICATION SPEC: 114-13120	SCALE: 6:1
FINISH:		WEIGHT: -	SHEET 5 of 9
CUSTOMER DRAWING		A100779	REV F

LOC	DIST	REV	DESCRIPTION	DATE	DWN	APVD
GP	00		SEE SHEET 1			



DETAIL A
SCALE 5:1

12X Δ Δ (ϕ 0.95)
 \oplus ϕ 0.10 C S
 PLATING REQUIRED



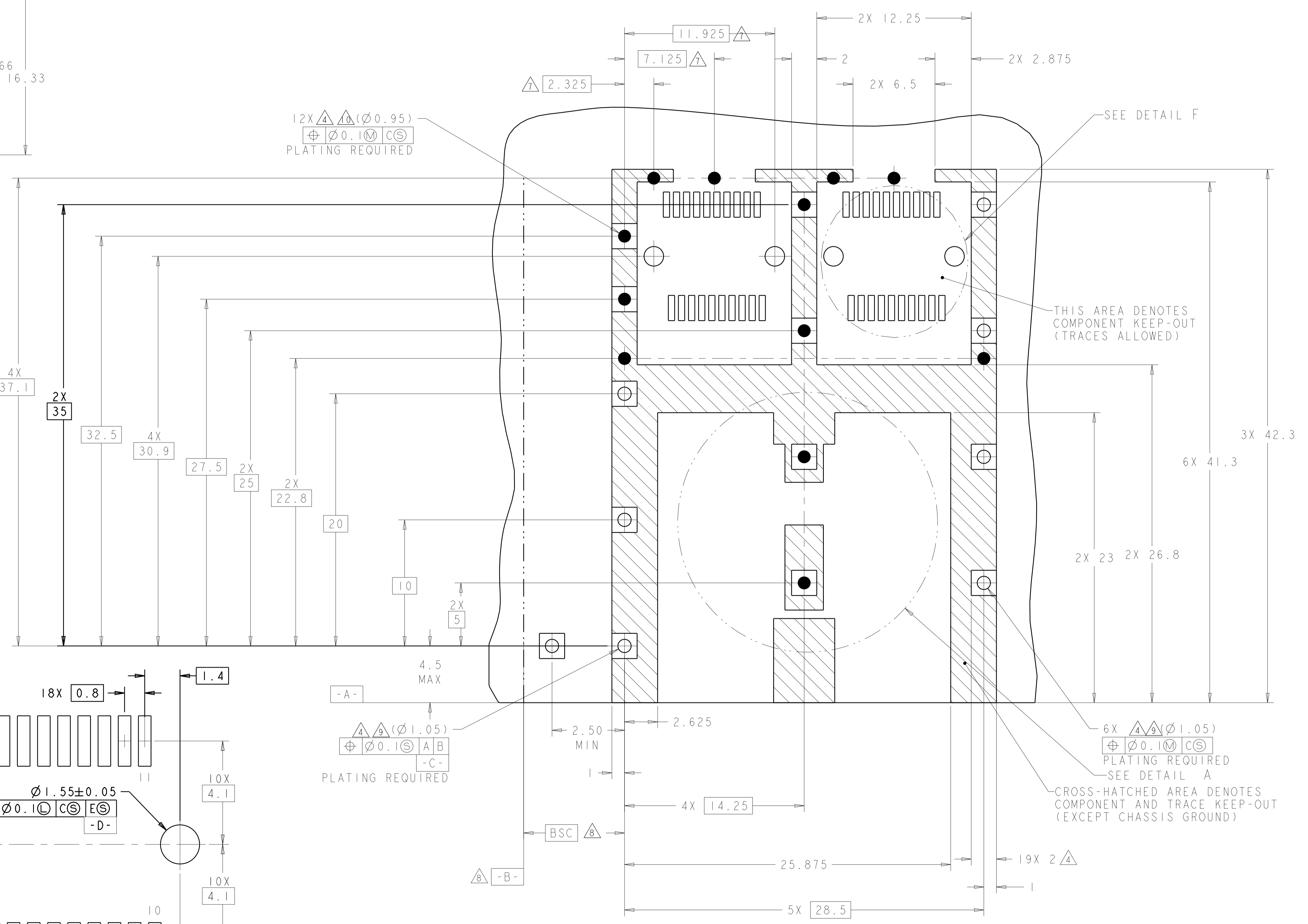
DETAIL F
RECOMMENDED PT CONNECTOR LAYOUT
2X INDIVIDUALLY
SCALE 12:1

-A- 4.5 MAX
 4 Δ Δ (ϕ 1.05)
 \oplus ϕ 0.10 A B C
 PLATING REQUIRED
 -C-

-B- Δ 8

6X Δ Δ (ϕ 1.05)
 \oplus ϕ 0.10 C S
 PLATING REQUIRED
 SEE DETAIL A

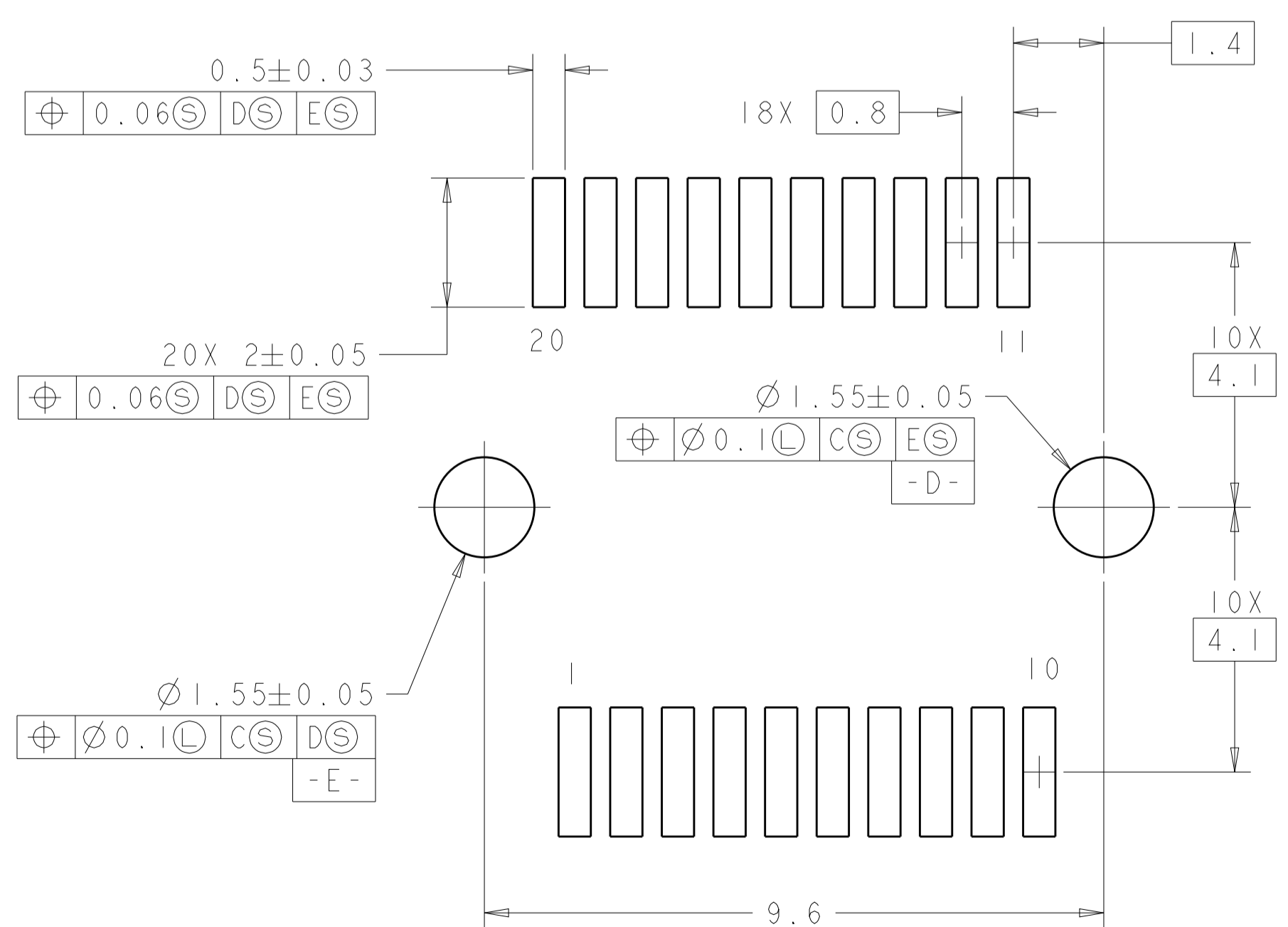
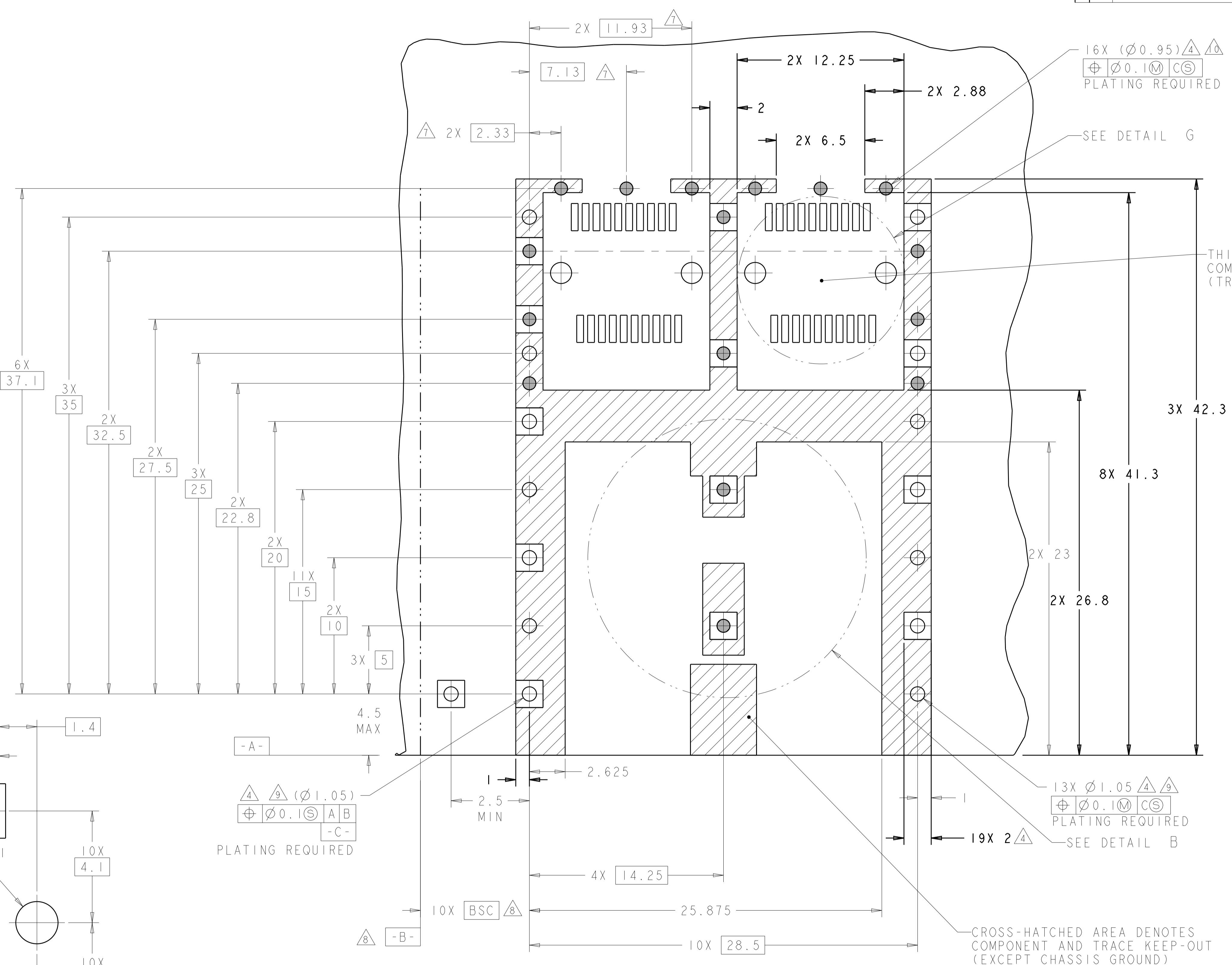
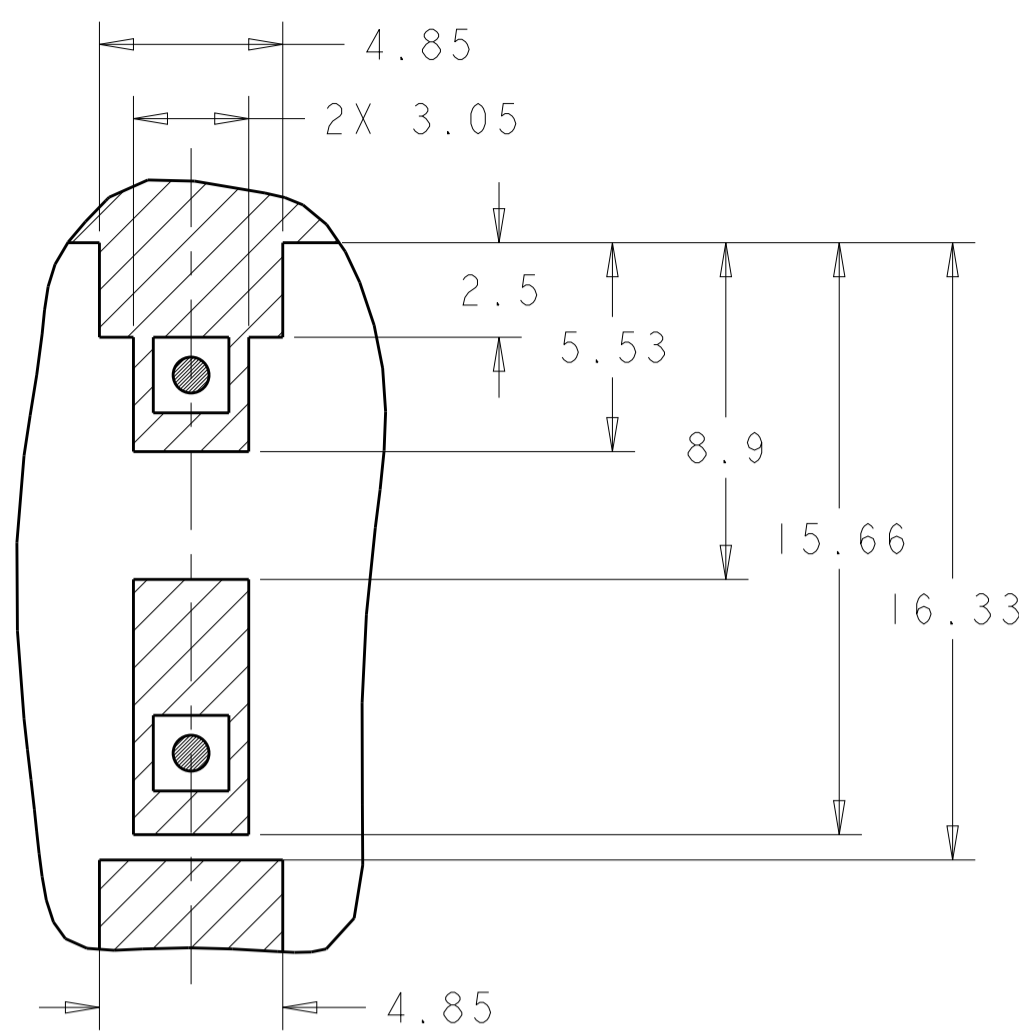
CROSS-HATCHED AREA DENOTES
COMPONENT AND TRACE KEEP-OUT
(EXCEPT CHASSIS GROUND)



2007263-5
 RECOMMENDED PCB CONFIGURATION
 WITH KEEP-OUT AREAS
 SINGLE SIDED APPLICATIONS

THIS DRAWING IS A CONTROLLED DOCUMENT.		DWN M. SCHMITT 17JUL2007	TE Connectivity NAME: SFP+ 1X2 CAGE ASSEMBLY PRESS FIT, EXTERNAL EMI SPRINGS SIZE: CAGE CODE DRAWING NO: 100779 CUSTOMER DRAWING: SCALE: 6:1 SHEET 6 OF 9 REV F		
DIMENSIONS:		CHK M. SCHMITT 17JUL2007			
mm		APVD B. WERTZ 17JUL2007			
0 PLC \pm 0.1 1 PLC \pm 0.1 2 PLC \pm 0.1 3 PLC \pm 0.1 4 PLC \pm 0.1 ANGLES \pm 1°		PRODUCT SPEC 108-2364			
TOLERANCES UNLESS OTHERWISE SPECIFIED:		APPLICATION SPEC 114-13120			
MATERIAL:		WEIGHT:		RESTRICTED TO:	
FINISH:		CUSTOMER DRAWING:		SCALE: 6:1 SHEET 6 OF 9 REV F	

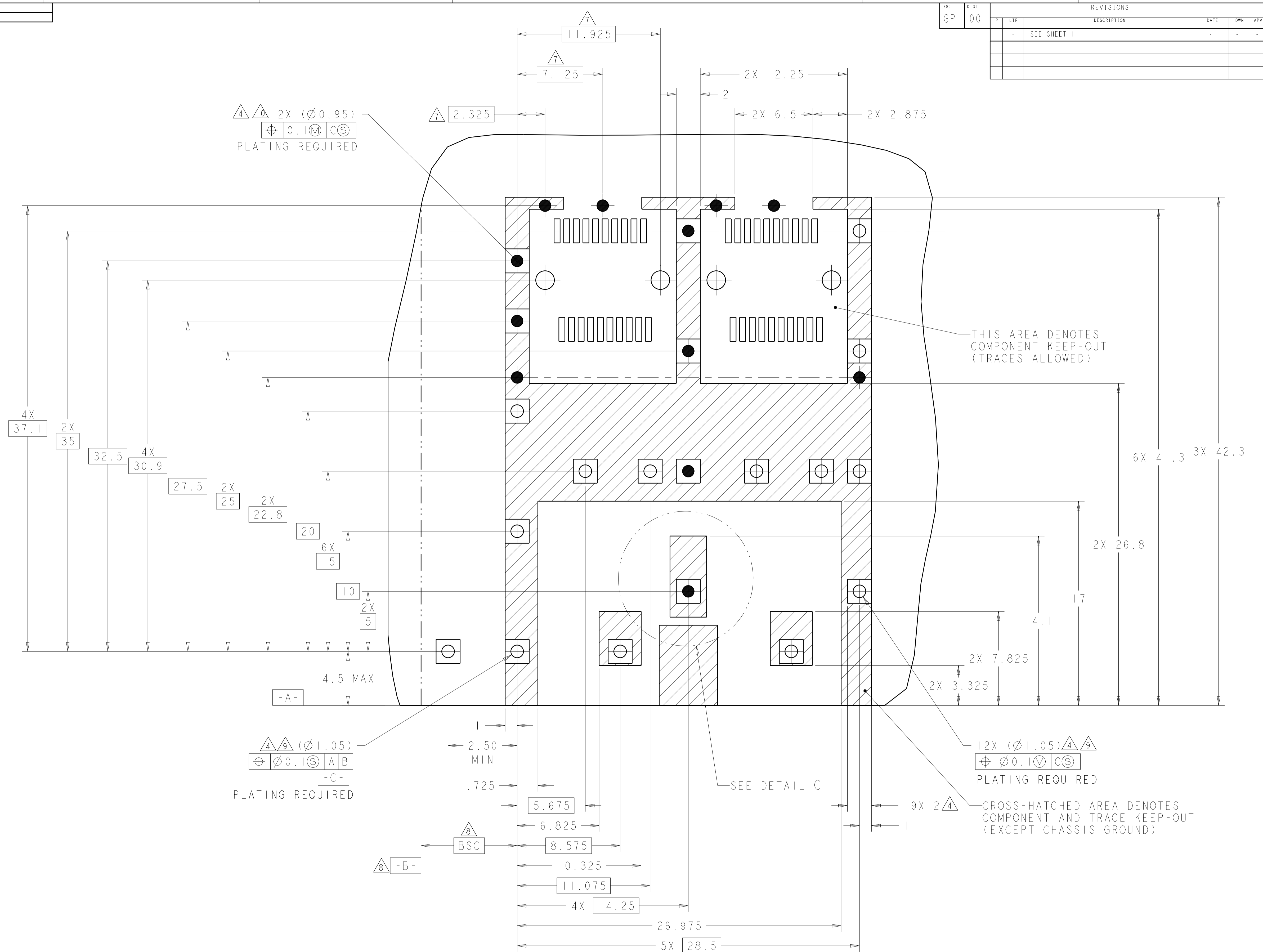
LOC		DIST		REVISONS			
GP	00	P	LTM	DESCRIPTION	DATE	OWN	APVD
				SEE SHEET 1			



2007263-5
RECOMMENDED PCB CONFIGURATION
WITH KEEP-OUT AREAS
BELLY TO BELLY APPLICATIONS Δ
SCALE 6:1

THIS DRAWING IS A CONTROLLED DOCUMENT.		OWN	M. SCHMITT	17JUL2007	TE Connectivity NAME: SFP+ 1X2 CAGE ASSEMBLY PRESS FIT, EXTERNAL EMI SPRINGS
DIMENSIONS:		CHK	M. SCHMITT	17JUL2007	
TOLERANCES UNLESS OTHERWISE SPECIFIED:		APVD	B. WERTZ	17JUL2007	SIZE: CAGE CODE DRAWING NO: RESTRICTED TO:
mm	0 PLC ±0.1 1 PLC ±0.1 2 PLC ±0.1 3 PLC ±0.1 4 PLC ±0.1 ANGLES ±0.1	PRODUCT SPEC	108-2364	APPLICATION SPEC	114-13120
MATERIAL	FINISH	WEIGHT			
CUSTOMER DRAWING					SCALE 6:1 SHEET 7 OF 9 REV F

LOC		DIST		REVISIONS				
GP	00	P	LYR	DESCRIPTION	DATE	DMN	APVD	
-	-	-	-	SEE SHEET 1	-	-	-	



THIS AREA DENOTES COMPONENT KEEP-OUT (TRACES ALLOWED)

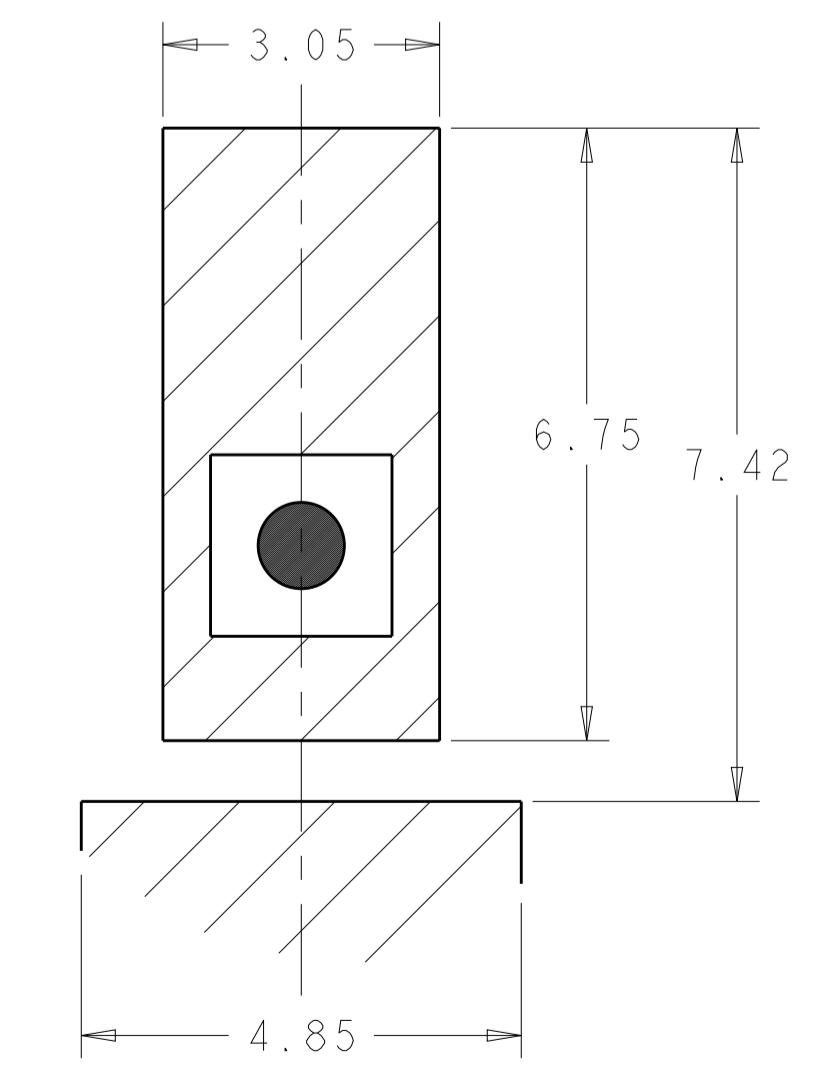
12X (Ø1.05) Δ Δ
 \oplus Ø0.10 CS
 PLATING REQUIRED

19X 2 Δ CROSS-HATCHED AREA DENOTES COMPONENT AND TRACE KEEP-OUT (EXCEPT CHASSIS GROUND)

12X (Ø0.95) Δ Δ
 \oplus Ø0.10 CS
 PLATING REQUIRED

(Ø1.05) Δ Δ
 \oplus Ø0.10 CS A B
 -C-
 PLATING REQUIRED

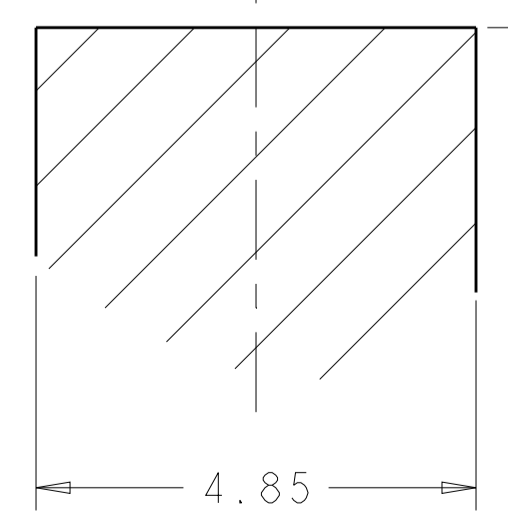
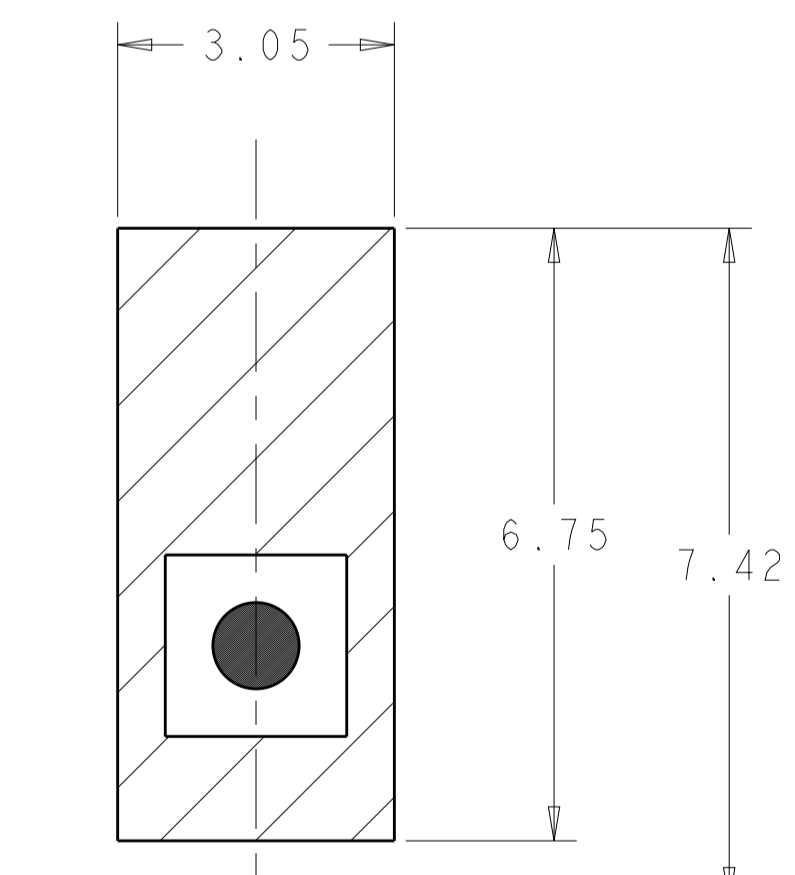
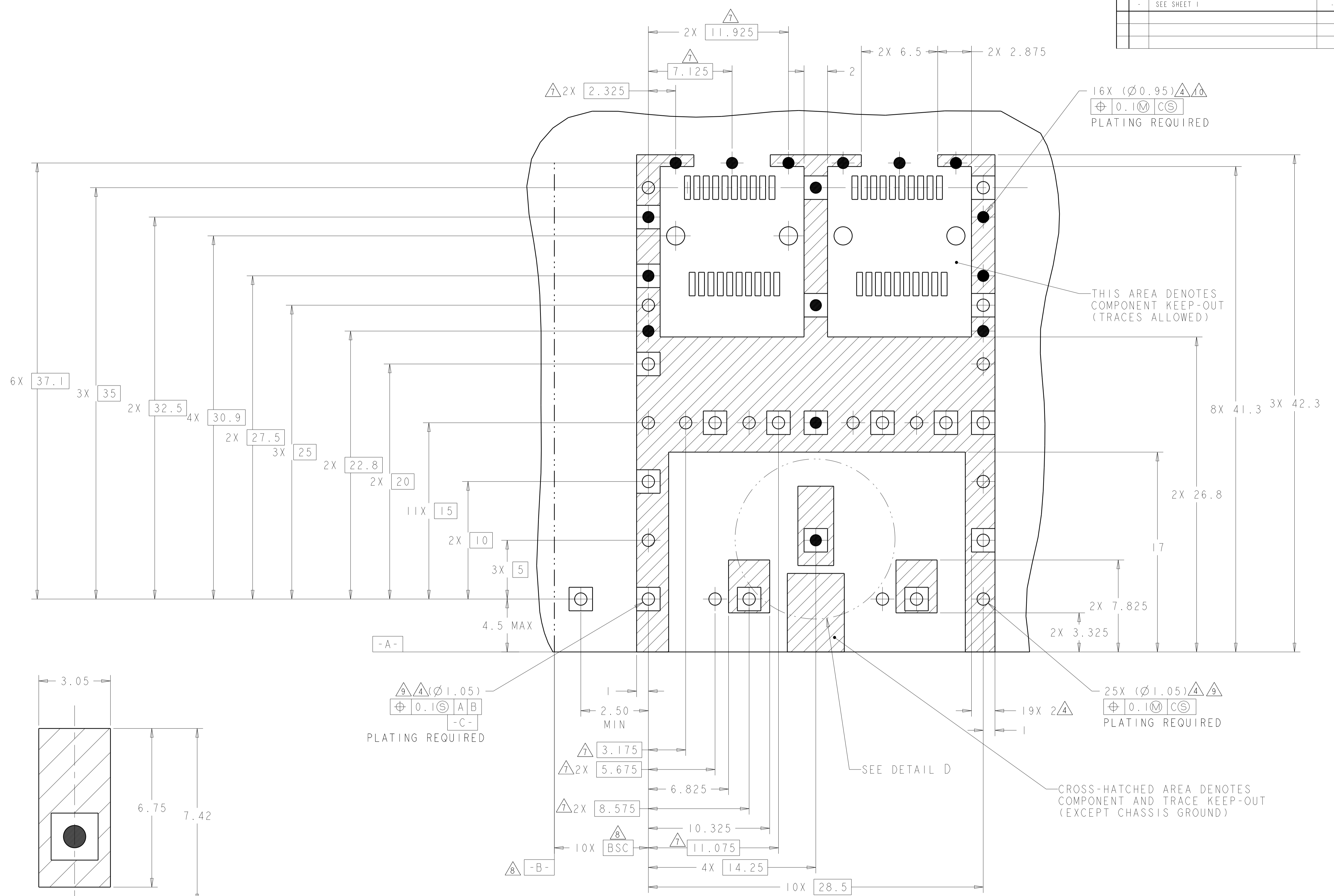
2007263-7
 RECOMMENDED PCB CONFIGURATION WITH KEEP-OUT AREAS
 SINGLE SIDED APPLICATIONS SAME AS 2007263-5,
 EXCEPT AS SHOWN
 SCALE 6:1



DETAIL C
 SCALE 12:1

THIS DRAWING IS A CONTROLLED DOCUMENT.		DMN M. SCHMITT 17JUL2007	TE Connectivity
DIMENSIONS: mm		CHK M. SCHMITT 17JUL2007	
TOLERANCES UNLESS OTHERWISE SPECIFIED:		APVD B. WERTZ 17JUL2007	NAME SFP+ 1X2 CAGE ASSEMBLY PRESS FIT, EXTERNAL EMI SPRINGS
0 PLC ±0.1	1 PLC ±0.1	PRODUCT SPEC 108-2364	SIZE A100779
2 PLC ±0.1	3 PLC ±0.1	APPLICATION SPEC 114-13120	CAGE CODE C=2007263
4 PLC ±0.1	ANGLES ±1°	WEIGHT	RESTRICTED TO
MATERIAL	FINISH	CUSTOMER DRAWING	SCALE 6:1 SHEET 8 OF 9 REV F

LOC	DIST	REV	DATE	BY	APPV
GP	00				



DETAIL D
SCALE 12:1

2007263-7
 RECOMMENDED PCB CONFIGURATION WITH KEEP-OUT AREAS FOR BELLY TO BELLY APPLICATIONS
 SAME AS SINGLE SIDE APPLICATION, EXCEPT AS SHOWN
 SCALE 6:1

THIS DRAWING IS A CONTROLLED DOCUMENT.		OWN M. SCHMITT 17JUL2007	TE Connectivity
DIMENSIONS: mm		CHK M. SCHMITT 17JUL2007	
TOLERANCES UNLESS OTHERWISE SPECIFIED:		APPV B. WERTZ 17JUL2007	NAME SFP+ 1X2 CAGE ASSEMBLY PRESS FIT, EXTERNAL EMI SPRINGS
0 PLC ±0.1	1 PLC ±0.1	PRODUCT SPEC	SIZE CAGE CODE DRAWING NO
2 PLC ±0.1	3 PLC ±0.1	108-2364	RESTRICTED TO
4 PLC ±0.1	5 PLC ±0.1	APPLICATION SPEC	
ANGLES ±0.1	FINISH ±1°	114-13120	A100779C=2007263
MATERIAL		WEIGHT	CUSTOMER DRAWING
		SCALE 6:1	SHEET 9 OF 9 REV F

X-ON Electronics

Largest Supplier of Electrical and Electronic Components

Click to view similar products for [I/O Connectors](#) category:

Click to view products by [TE Connectivity](#) manufacturer:

Other Similar products are found below :

[571763P](#) [72.250.1628.2](#) [72.250.2428.2](#) [74720-0505](#) [76.350.0729.0](#) [76871-1403](#) [FCN-244F080-G/1](#) [FCN-260A9920](#) [MP-5T180MUNNA-005](#)
[PCR-E36PM](#) [PCS-XE26MA+](#) [G38A71314B](#) [1571250010](#) [157-22500-3](#) [MS3471L14-19P L/C](#) [91-569786-35H](#) [172501-4002](#) [172501-6002](#)
[FCN-260C008-A/L0](#) [FCN-260C024-AL0](#) [FCN-261Z008](#) [2000314-1](#) [200331-1](#) [PCR-E36FC+](#) [PCS-E28FS+](#) [PCS-XE26SLFD+](#) [PCS-](#)
[XE26SLFDT+](#) [G730VID08BDC24](#) [U90B2054081210](#) [UE86K842720321](#) [38113800006](#) [DP3AR020WQ1R200](#) [Z4.102.0680.0](#) [500-1040](#)
[500-1052](#) [500-1054](#) [ZP-4008-66L](#) [0709821002](#) [10-565995-597N](#) [DX40-20P\(55\)](#) [5554841-1](#) [MS3474W18-8P-LC*](#) [U90B3054061110](#) [U65-](#)
[E04-4020](#) [ZPF000000000097891](#) [557-262M2-06C](#) [747360449](#) [10099439-003C-TRLF](#) [10137239-0021LF](#) [E9320-001-01](#)