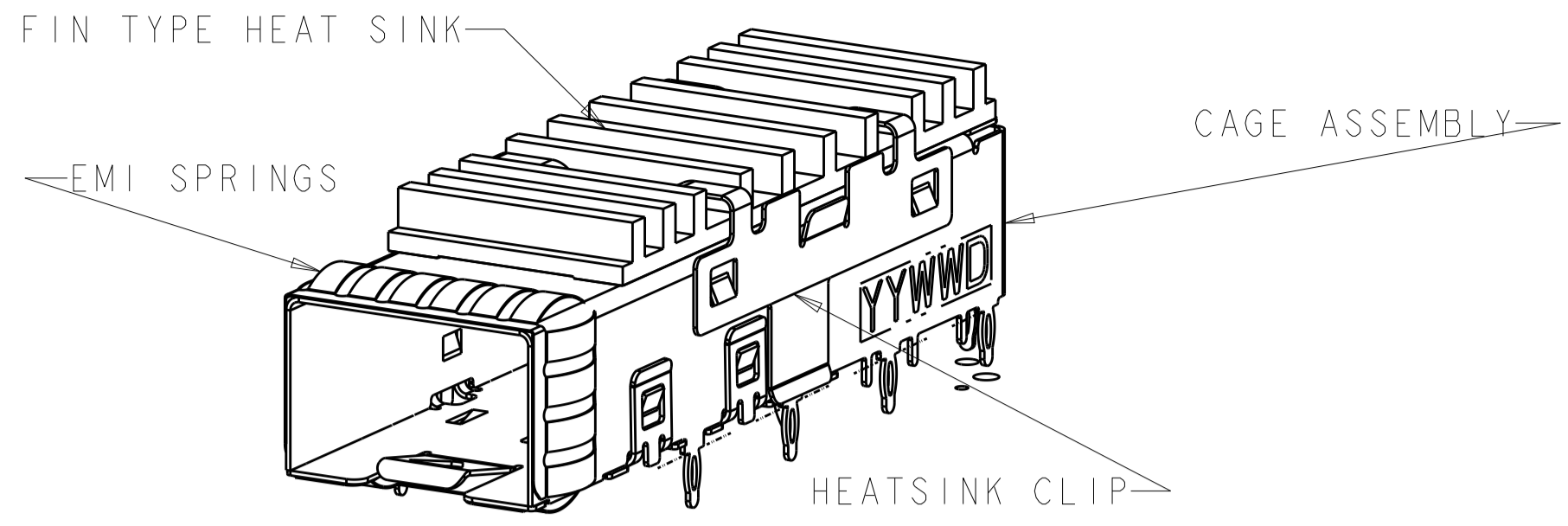
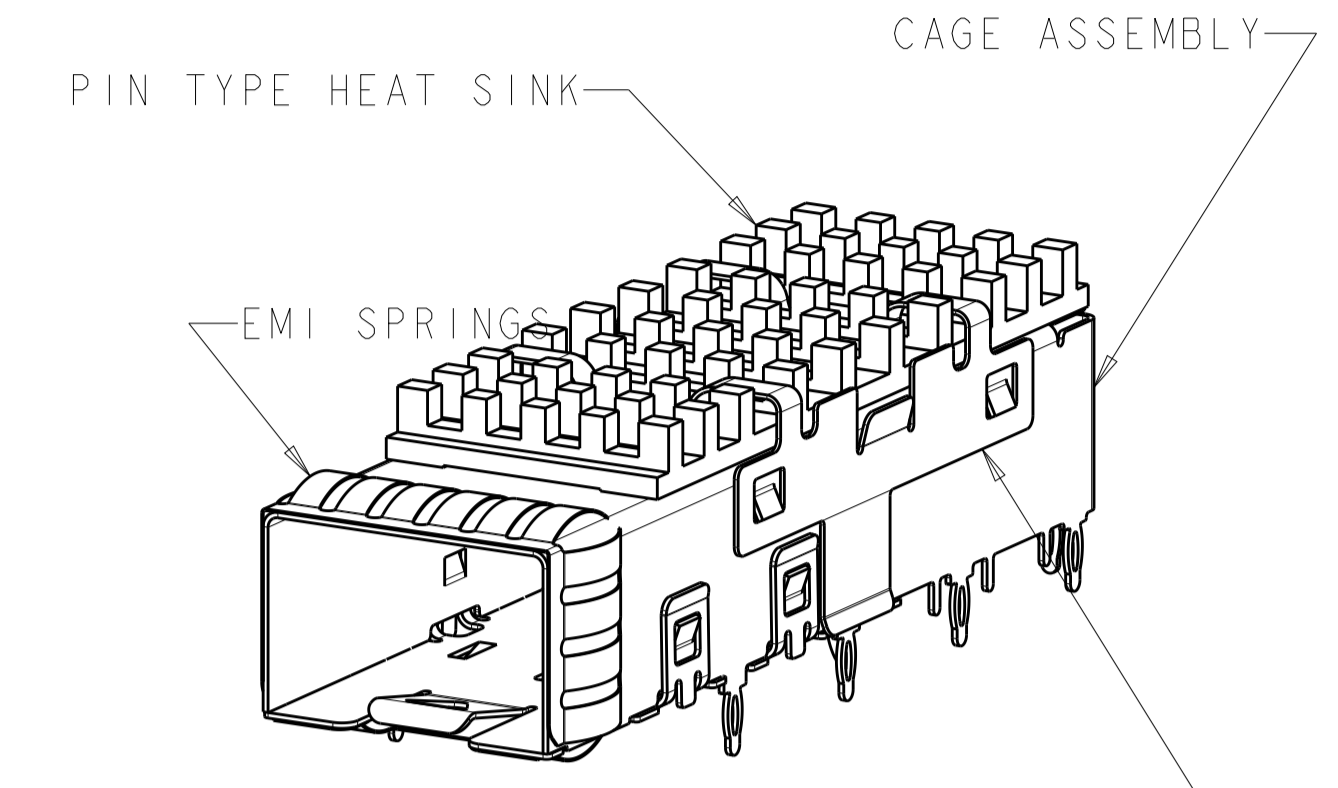
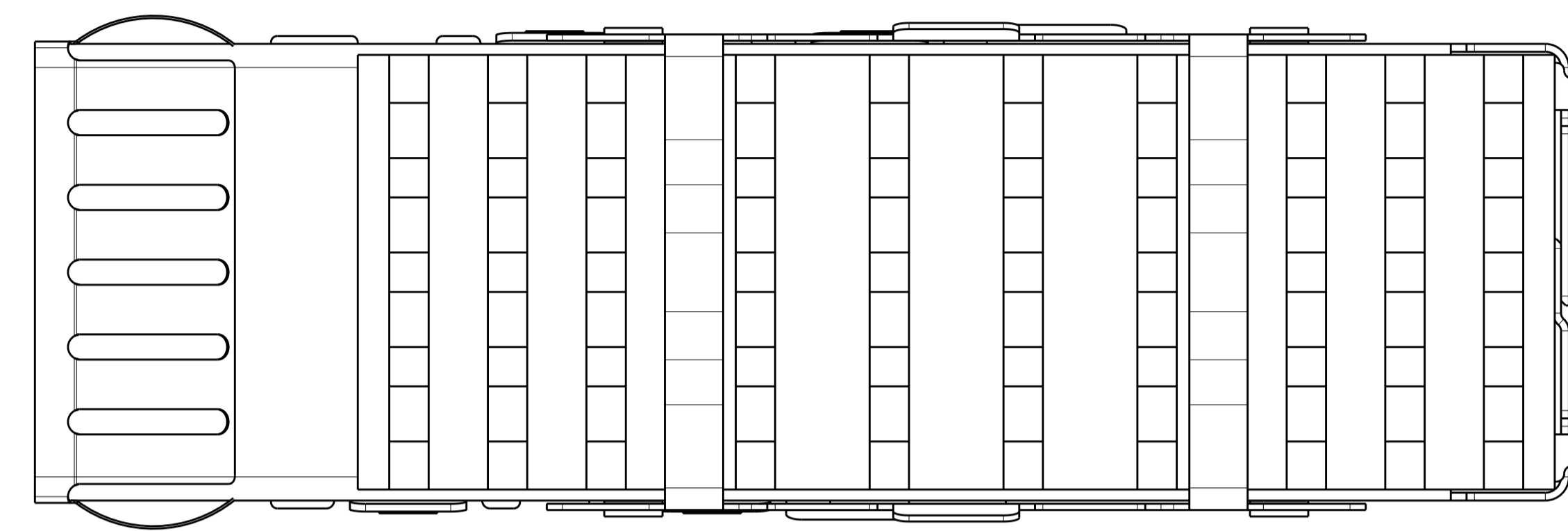


LOC	DIST	REVISIONS					
GP	00	P	LTN	DESCRIPTION	DATE	DWN	APVD
		D		REVISED PER ECO-10-004036	26FEB2010	CJV	MRS
		E		REVISED PER ECO-11-019224	09JAN2012	TX	AC
		F		REVISED PER ECO-12-021462	10DEC2012	TX	AC
		F1		REVISED PER ECO-13-014600	11OCT2013	PP	SH

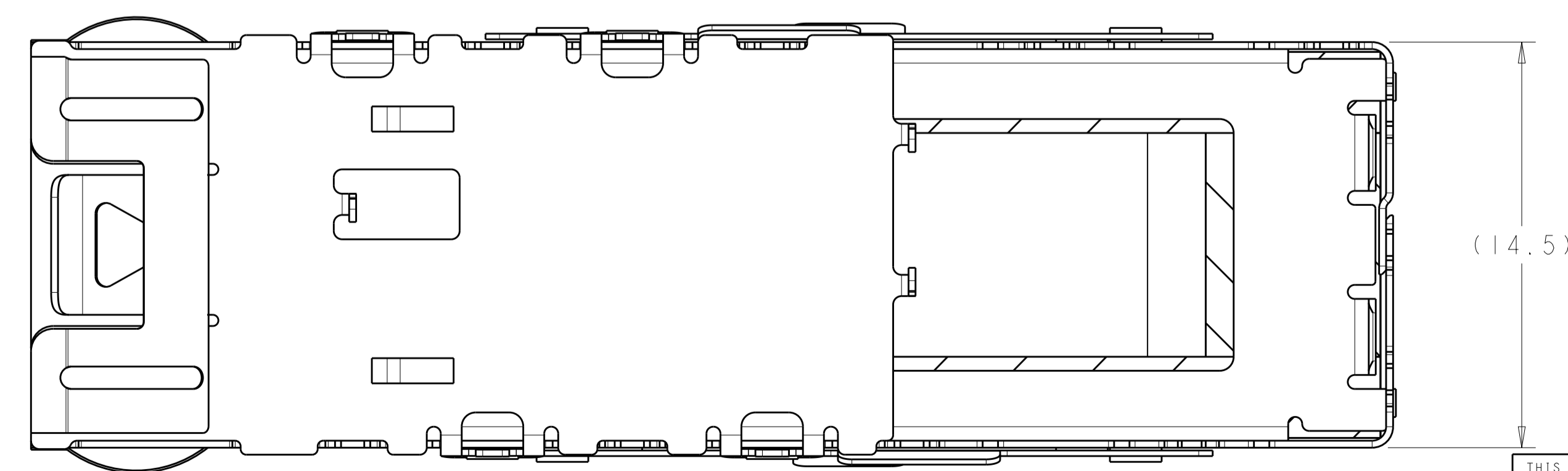
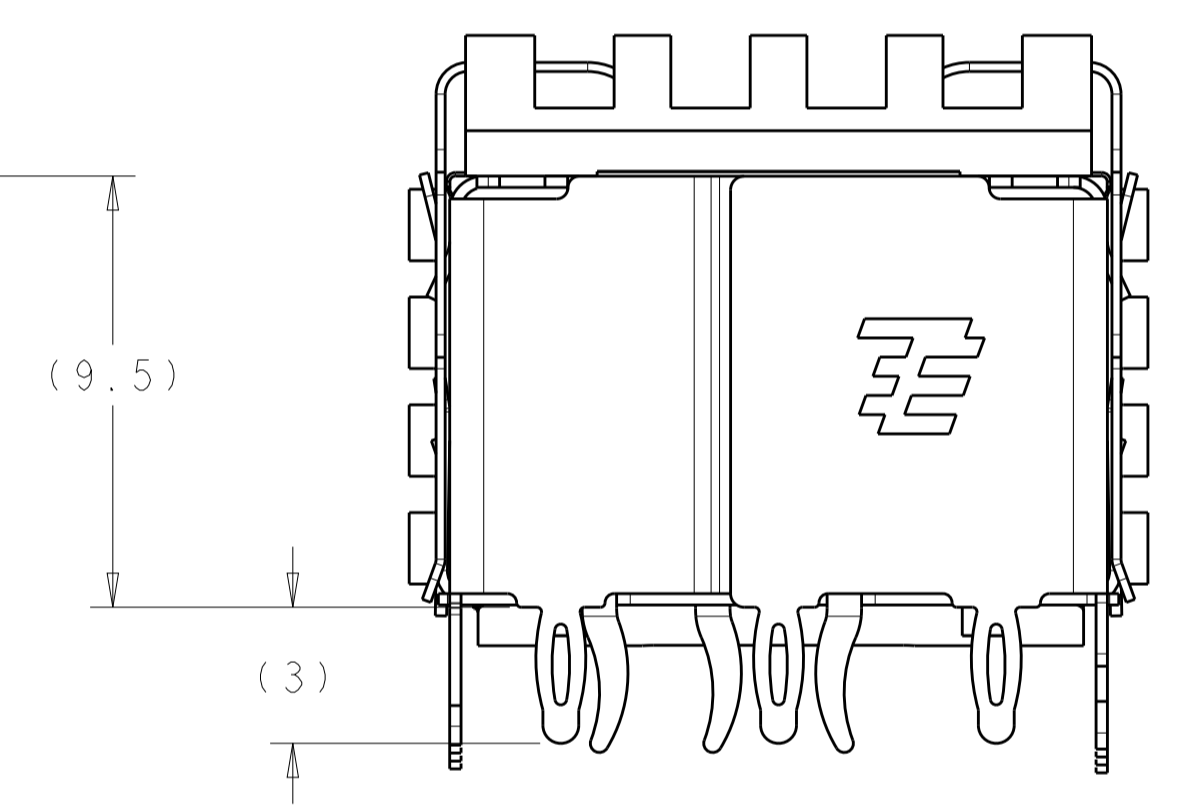
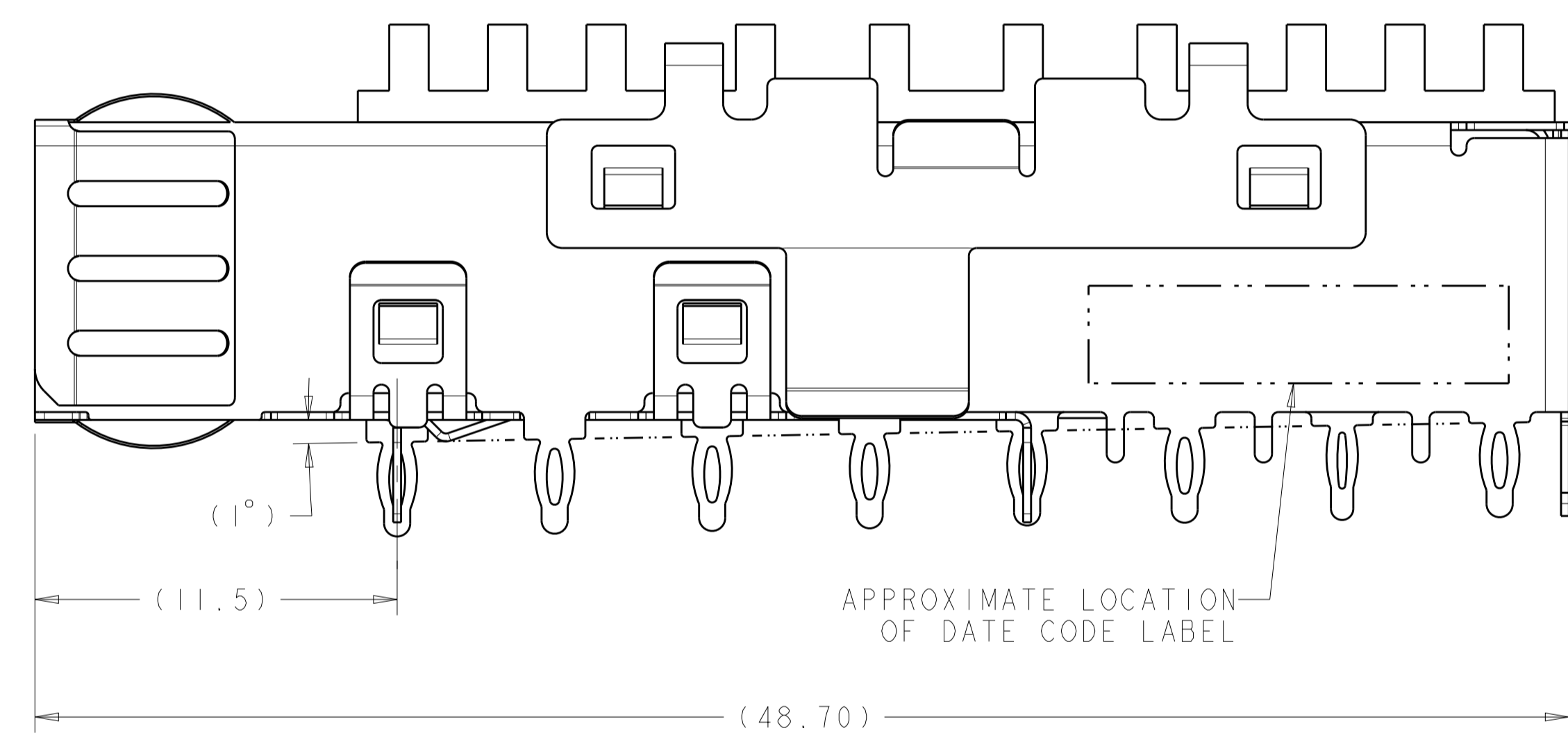
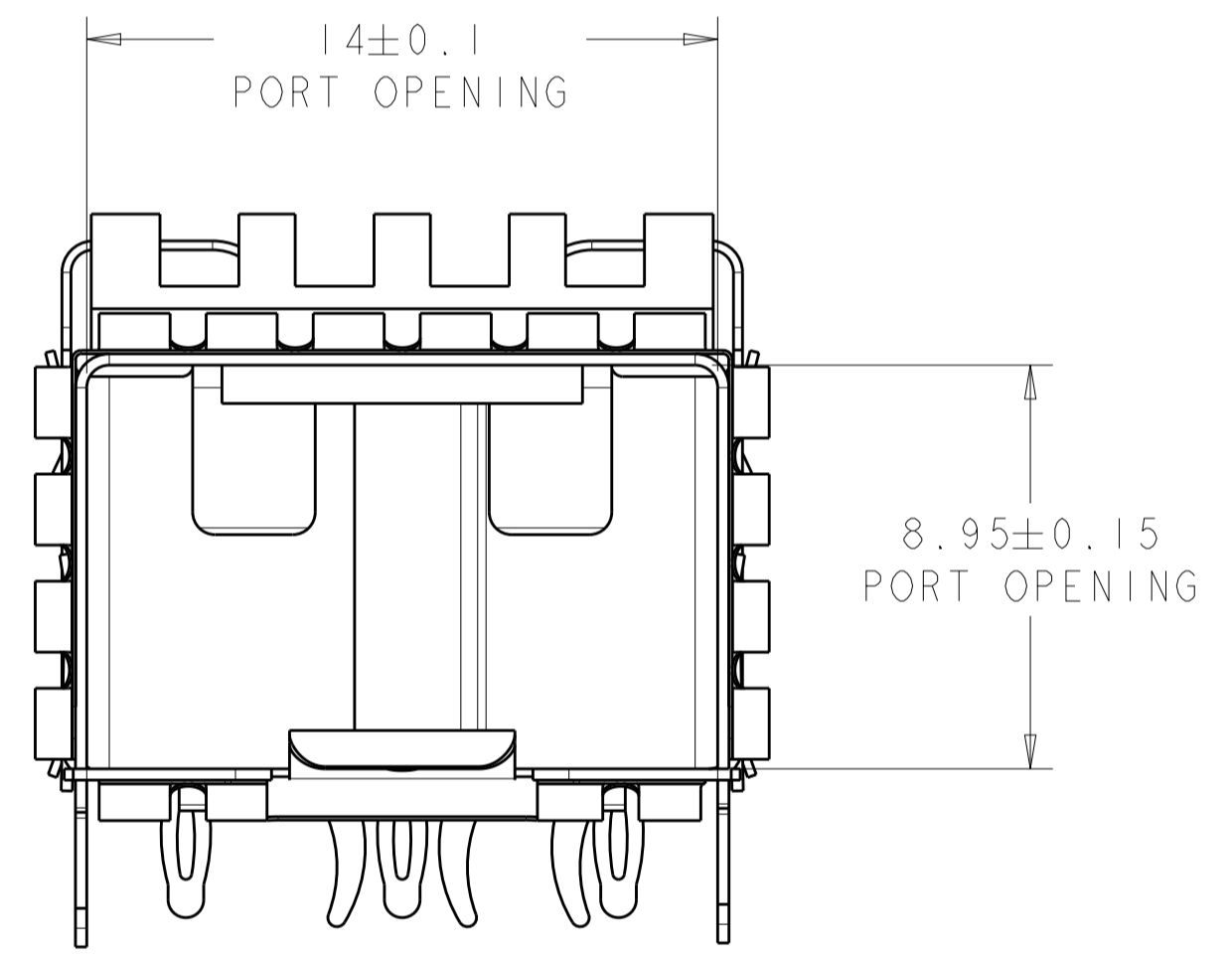
- 1 MATERIAL:
 CAGE ASSEMBLY - NICKEL-SILVER ALLOY.
 EMI SPRINGS - COPPER ALLOY.
 HEATSINK - ALUMINUM.
 HEATSINK CLIP - STAINLESS STEEL.
- 2 FINISH:
 HEATSINK - ELECTROLESS NICKEL.
 HEATSINK CLIP - PASSIVATE.
 EMI SPRINGS - 0.8um MIN TIN OVER 0.8um MIN NICKEL
 NON PLATED EDGES PERMISSIBLE.
- 3. MATES WITH SFP MSA COMPLIANT TRANSCEIVERS.
- 4 PADS AND VIAS CHASSIS GROUND.
- 5 DATUMS AND BASIC DIMENSIONS ESTABLISHED BY CUSTOMER.
- 6. MINIMUM PC BOARD THICKNESS:
 SINGLE SIDED = 1.50mm
- 7 REFERENCE APPLICATION SPEC. 114-13120, HOLE A, FOR
 RECOMMENDED DRILL HOLE DIAMETER AND PLATING
 THICKNESS.



2007277-2
 SCALE 3:1



2007277-1
 SCALE 3:1



- 8 REFERENCE APPLICATION SPEC. 114-13120, HOLE C, FOR
 RECOMMENDED DRILL HOLE DIAMETER AND PLATING
 THICKNESS.
- 9 DIMENSIONS APPLIES PRIOR TO INSERTION OF SFP MODULE.
- 10. CAGE ASSEMBLY, HEATSINK CLIP AND HEATSINK SHIPPED
 ASSEMBLED.
- 11. NOTE DELETED
- 12 REFERENCE APPLICATION SPEC. 114-13120, HOLE B, FOR
 RECOMMENDED DRILL HOLE DIAMETER AND PLATING
 THICKNESS.

FIN TYPE HEAT SINK	2007277-2
PIN TYPE HEAT SINK	2007277-1
HEAT SINK	PART NUMBER

THIS DRAWING IS A CONTROLLED DOCUMENT.

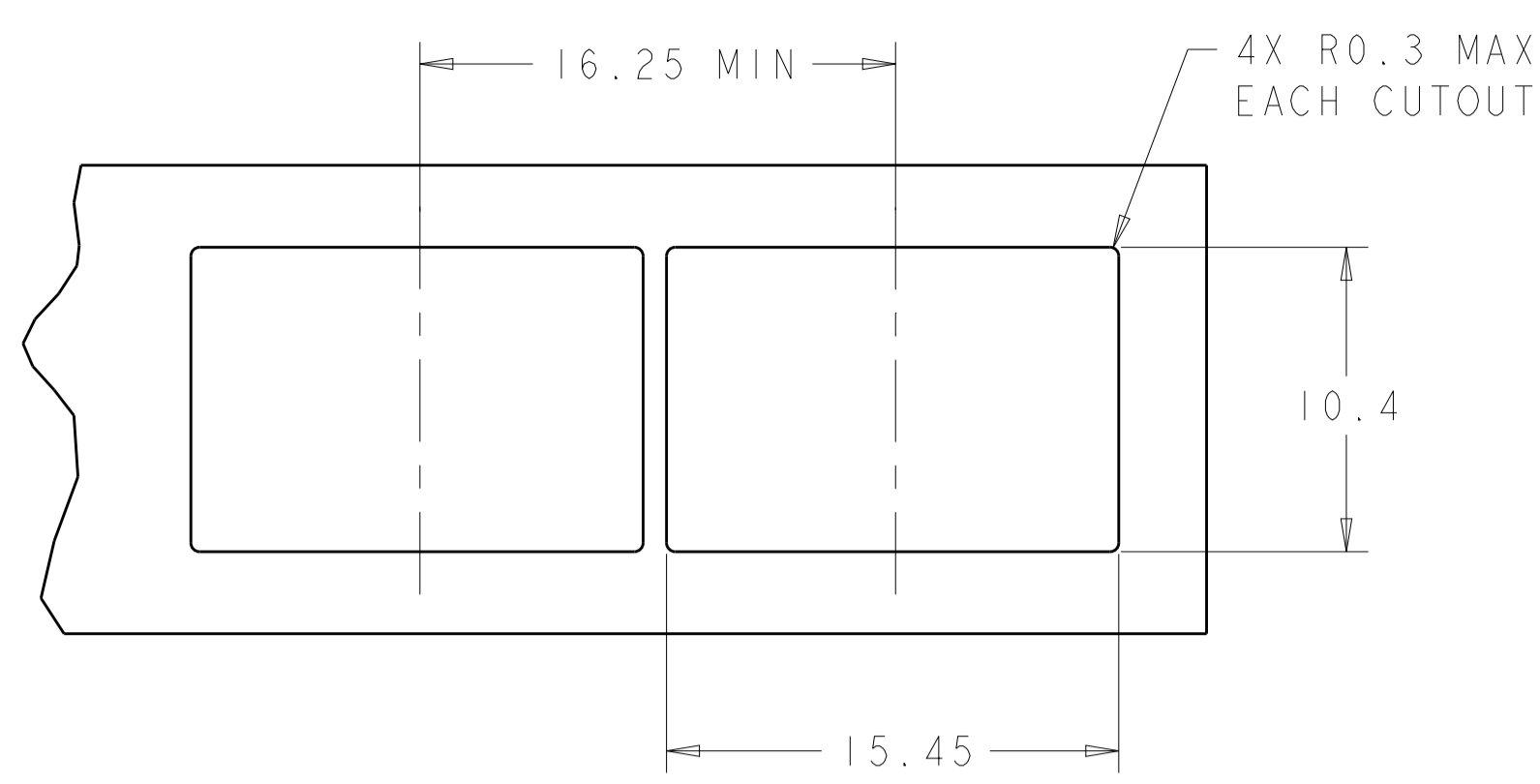
DIMENSIONS:	TOLERANCES UNLESS OTHERWISE SPECIFIED:	DWN M. SCHMITT 6AUG2007	CHK M. SCHMITT 6AUG2007
mm	0 PLC ±0.1 1 PLC ±0.1 2 PLC ±0.1 3 PLC ±0.05 4 PLC ±0.05 ANGLES ±0.05	APVD B. WERTZ 6AUG2007	NAME
MATERIAL	FINISH	PRODUCT SPEC	108-2364
		APPLICATION SPEC	114-13120
		WEIGHT	
		Customer Drawing	SCALE 6:1 SHEET 1 OF 2 REV F1

STE TE Connectivity

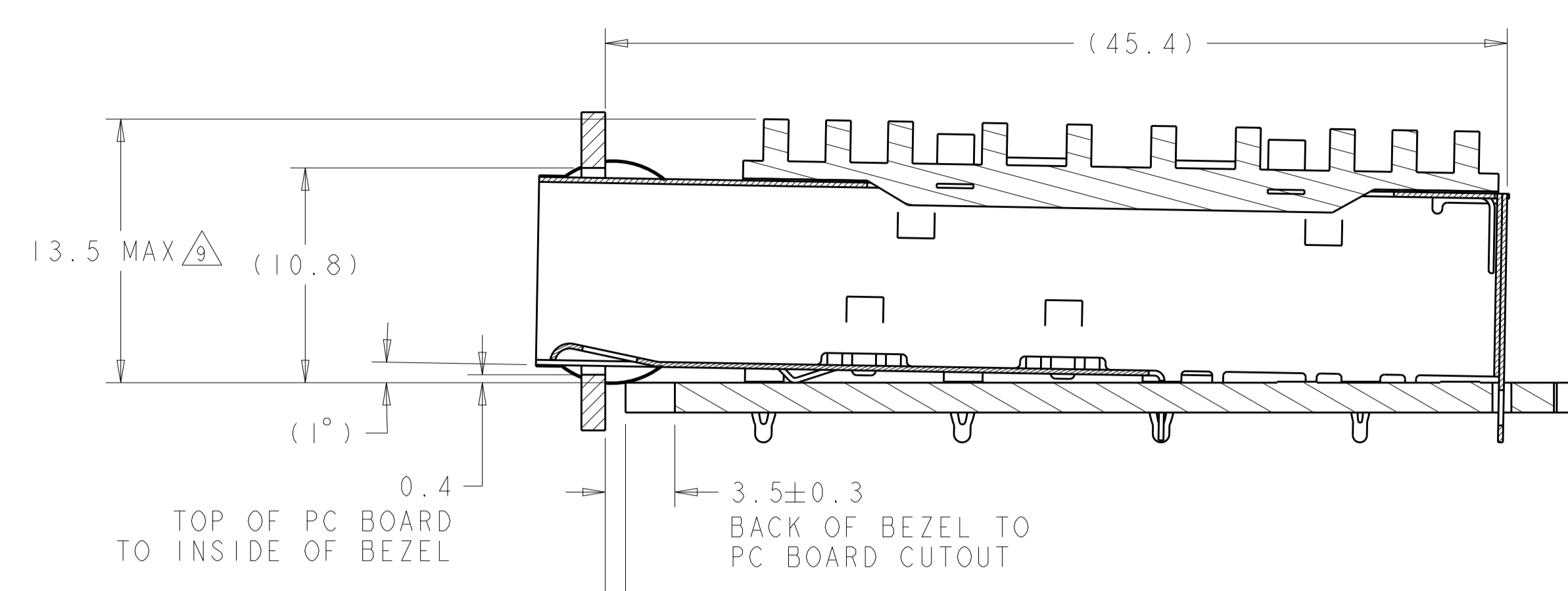
SFP+ 1X1 CAGE ASSEMBLY
 W/ HEATSINK, PCI, PRESS-FIT
 EXTERNAL EMI SPRING

SIZE CAGE CODE DRAWING NO RESTRICTED TO
 A100779C=2007277

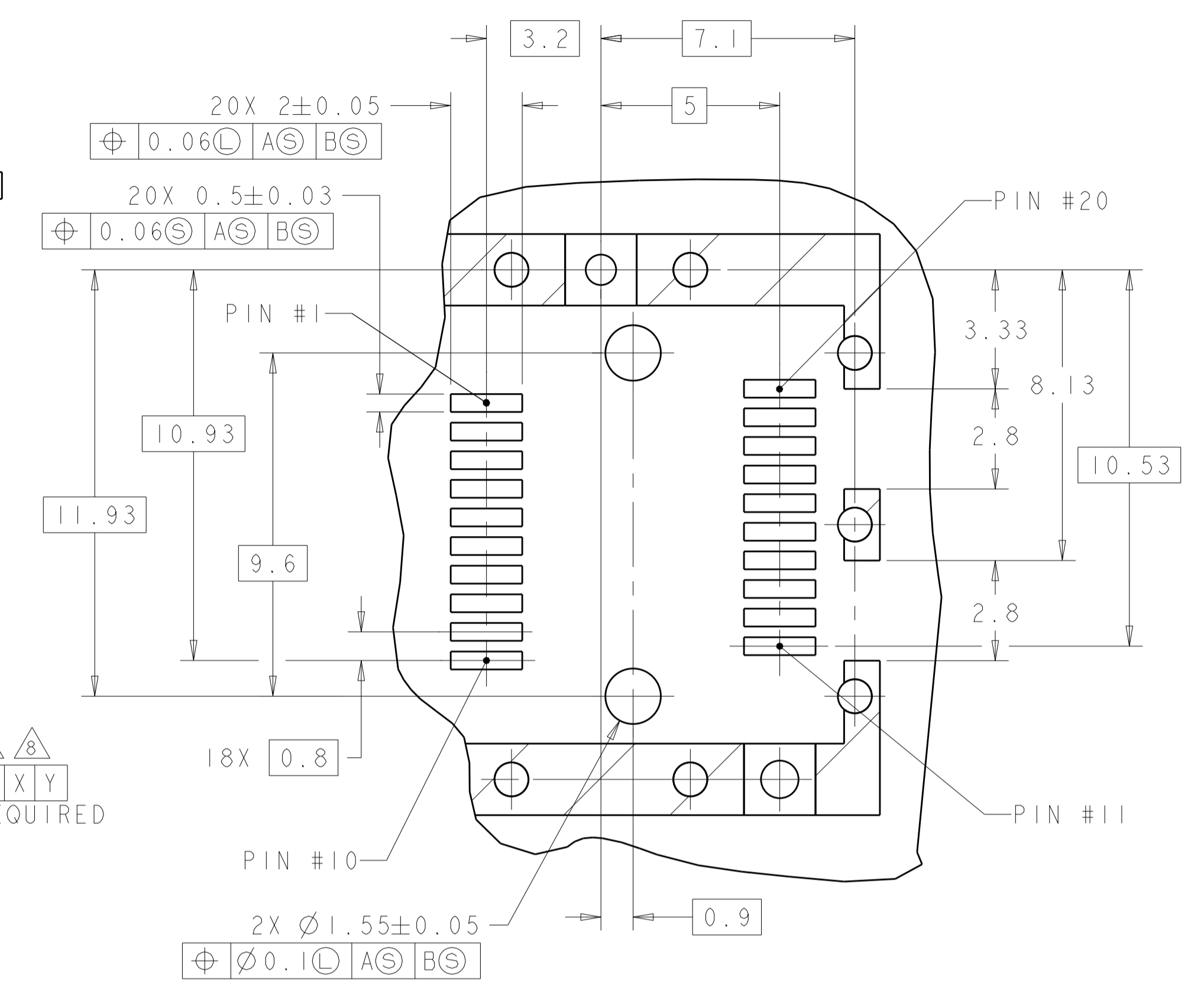
LOC	DIST	REV	DATE	BY	APPV
GP	00				



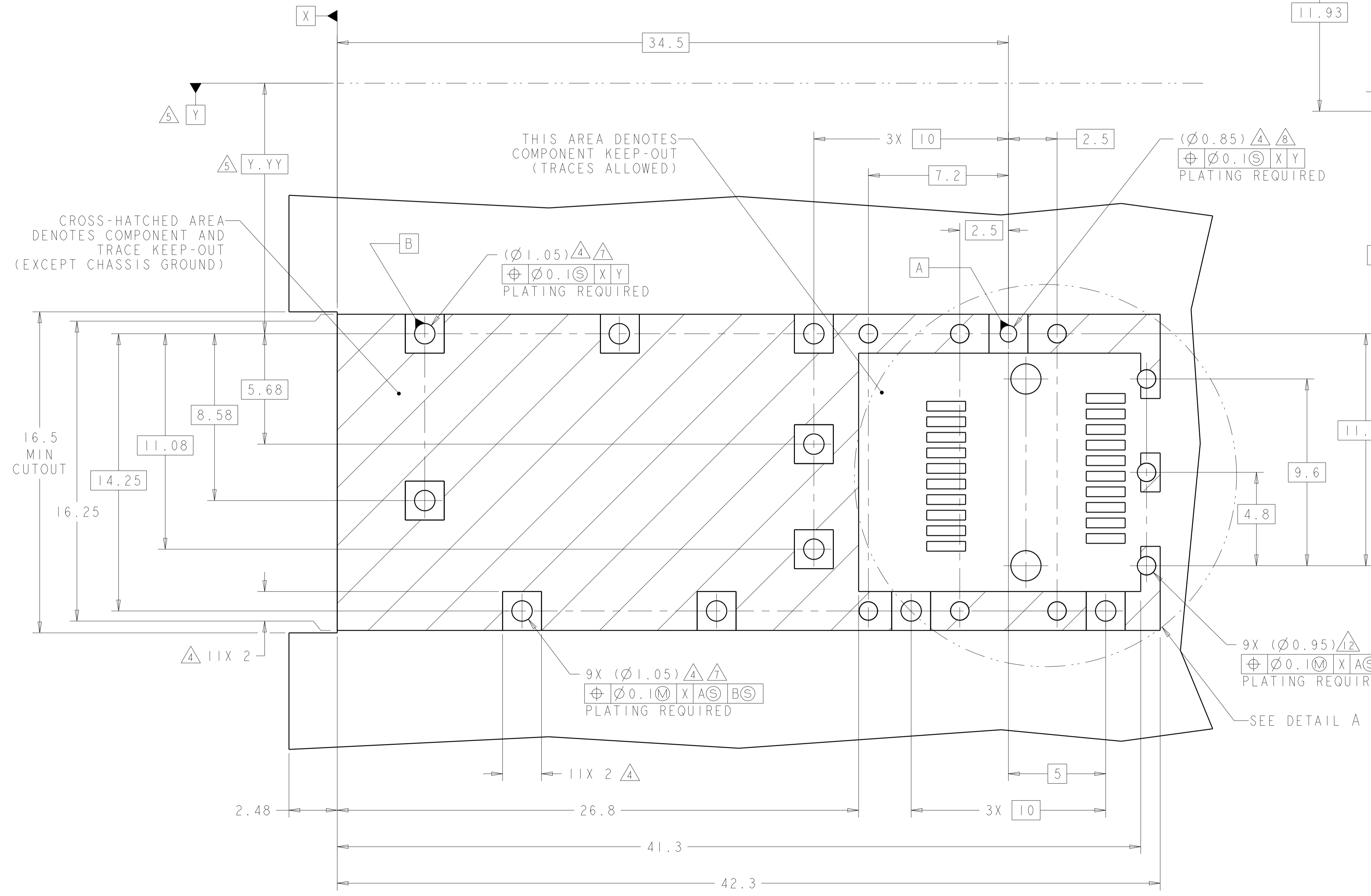
RECOMMENDED BEZEL CUTOUT
SCALE 4:1



CAGE ASSEMBLY MOUNTED ON RECOMMENDED PC BOARD SHOWN THRU RECOMMENDED BEZEL
SCALE 4:1



DETAIL A
SCALE 8:1



RECOMMENDED PCB LAYOUT
SCALE 8:1

THIS DRAWING IS A CONTROLLED DOCUMENT.		OWN: M. SCHMITT 6AUG2007		TE Connectivity
DIMENSIONS: mm		CHK: M. SCHMITT 6AUG2007		NAME: SFP+ 1XI CAGE ASSEMBLY W/ HEATSINK, PCI, PRESS-FIT EXTERNAL EMI SPRING
TOLERANCES UNLESS OTHERWISE SPECIFIED:		APPV: B. WERTZ 6AUG2007	PRODUCT SPEC: 108-2364	RESTRICTED TO:
0 PLC ±0.1		APPLICATION SPEC: 114-13120	SIZE: A100779	SCALE: 6:1
1 PLC ±0.1		WEIGHT: -	CAGE CODE: -	SHEET: 2 OF 2
2 PLC ±0.1		FINISH: -	DRAWING NO: C=2007277	REV: F1
3 PLC ±0.05		MATERIAL: -	Customer Drawing	
4 PLC ±0.05		ANGLES: -		

X-ON Electronics

Largest Supplier of Electrical and Electronic Components

Click to view similar products for [I/O Connectors](#) category:

Click to view products by [TE Connectivity](#) manufacturer:

Other Similar products are found below :

[571763P](#) [58098-0628](#) [72.250.1628.2](#) [72.250.2428.2](#) [74720-0505](#) [76.350.0729.0](#) [76871-1403](#) [FCN-244F080-G/1](#) [FCN-260A9920](#) [PCR-E36PM](#) [PCS-XE26MA+](#) [G38A71314B](#) [DX40-50P\(55\)](#) [1571250010](#) [157-22500-3](#) [MS3471L14-19P L/C](#) [91-569786-35H](#) [172501-4002](#) [172501-6002](#) [FCN-260C008-A/L0](#) [FCN-260C024-AL0](#) [FCN-261Z008](#) [2000314-1](#) [200331-1](#) [PCR-E36FC+](#) [PCS-E28FS+](#) [PCS-XE26SLFD+](#) [PCS-XE26SLFDT+](#) [G730VID08BDC24](#) [U90B2054081210](#) [UE86K842720321](#) [38113800006](#) [DP3AR020WQ1R200](#) [Z4.102.0680.0](#) [500-1040](#) [500-1052](#) [500-1054](#) [ZP-4008-66L](#) [0709821002](#) [10-565995-597N](#) [DX40-20P\(55\)](#) [5554841-1](#) [MS3474W18-8P-LC*](#) [U90B3054061110](#) [U65-E04-4020](#) [ZPF000000000097891](#) [557-262M2-06C](#) [747360449](#) [10099439-003C-TRLF](#) [10137239-0021LF](#)