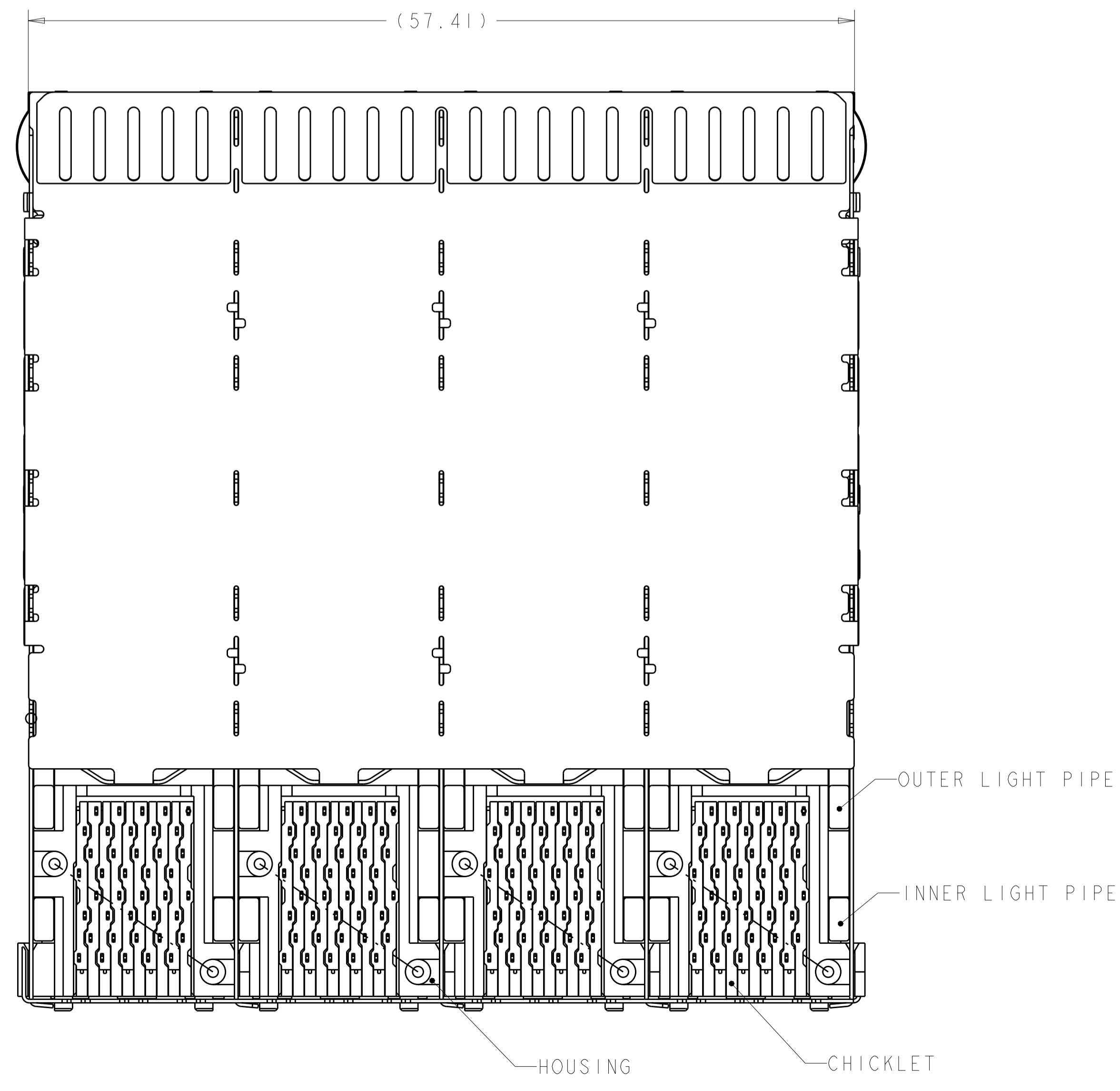
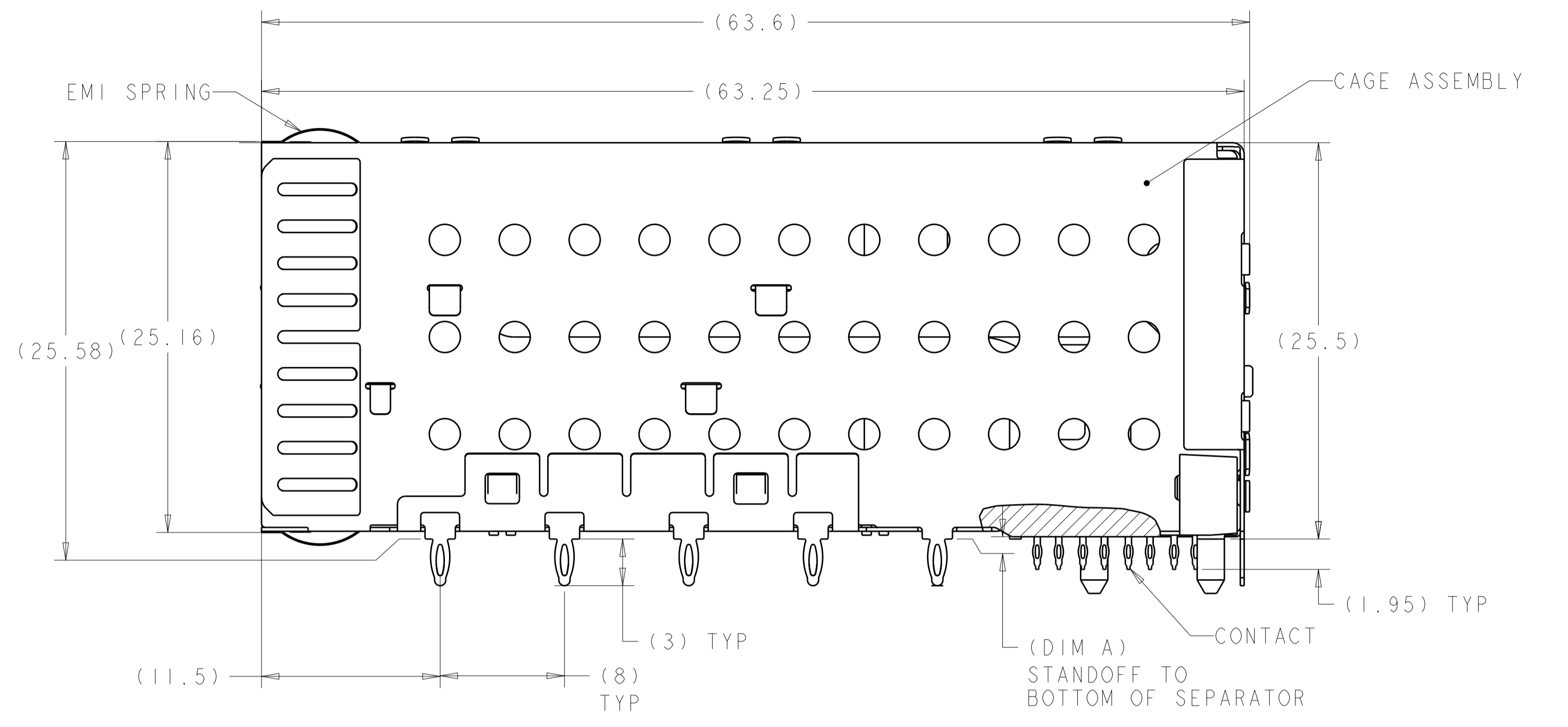
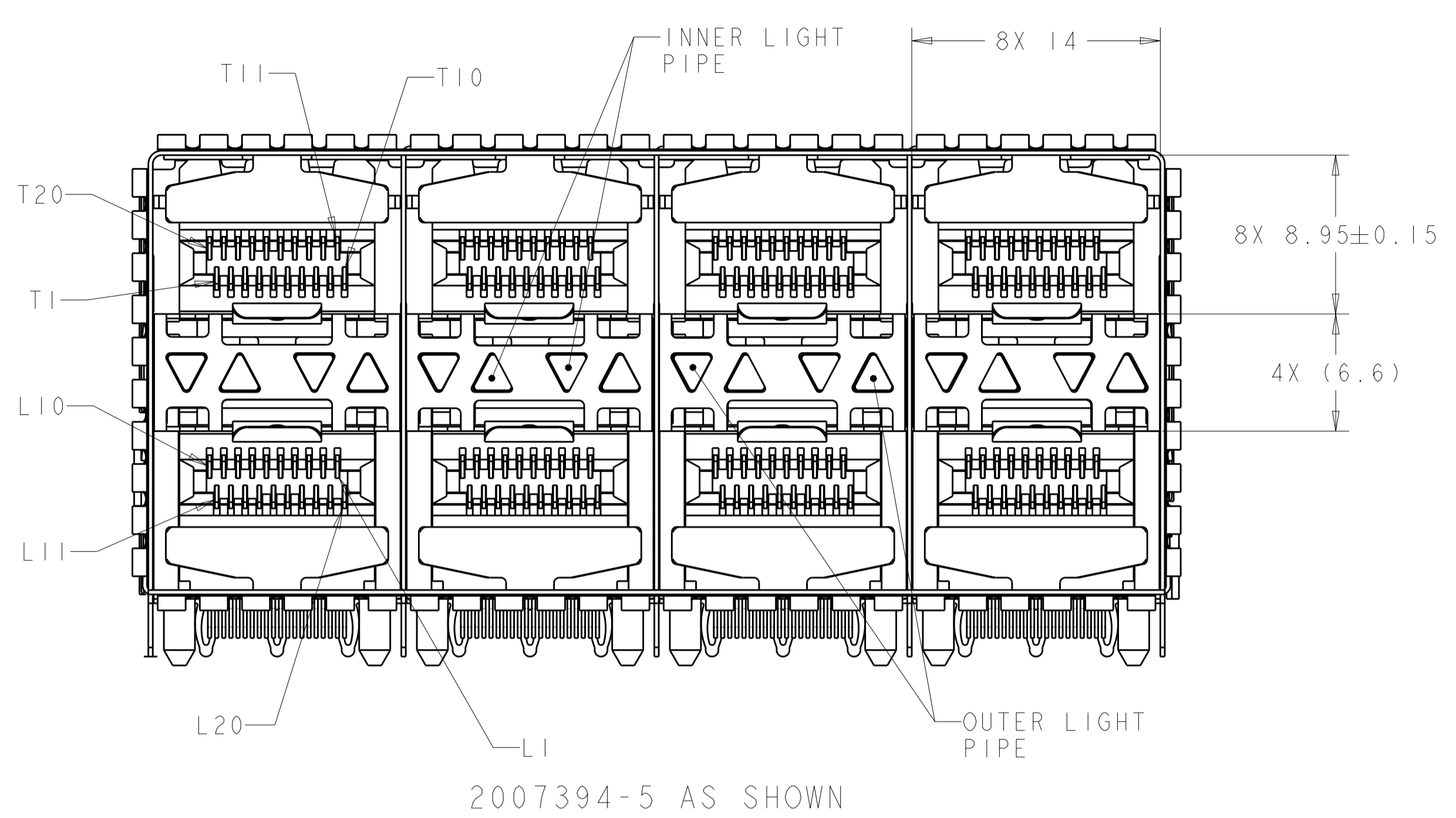


LOC	DIST	REV	DATE	BY	CHKD	APVD
GP	00					
D		REVISED PER ECO-15-017919	06APR2016	AP	RP	
D1		ADD PN 2-6 WITH DIM A 0.5MM	23SEP2019	IT	SH	



- 1 MATERIALS:
CAGE ASSEMBLY- NICKEL SILVER ALLOY PER ASTM B 122.
EMI SPRING- COPPER ALLOY.
INSERT- LCP, BLACK, UL 94V-0.
HOUSING- BLACK LCP, UL 94V-0 RATED.
CHICKLET- BLACK LCP, UL 94V-0 RATED.
LIGHT PIPE- POLYCARBONATE, CLEAR.
CONTACT- COPPER ALLOY.
- 2 DATUM AND BASIC DIMENSIONS ESTABLISHED BY CUSTOMER.
- 3. MINIMUM PCB THICKNESS OF 1.5.
- 4 CONTACT FINISH: CONFORMS TO THE REQUIREMENTS OF TE CONNECTIVITY PRODUCT SPECIFICATION 108-2331, BASED ON EIA/ECA-364-1000.01A, (CONTROLLED ENVIRONMENT APPLICATIONS) ON MATING INTERFACE, TIN-LEAD ON NEEDLE EYE.
- 5 CONTACT FINISH: CONFORMS TO THE REQUIREMENTS OF TE CONNECTIVITY PRODUCT SPECIFICATION 108-2331, BASED ON EIA/ECA-364-1000.01A, (CONTROLLED ENVIRONMENT APPLICATIONS) ON MATING INTERFACE, TIN ON NEEDLE EYE.
- 6 FOR HOLE SIZE AND PLATINGS, SEE APPLICATION SPEC 114-13219.
- 7 THE ENTIRE AREA OF THE CONNECTOR FOOTPRINT, INDICATED BY THE DASHED LINE, TO BE CONSIDERED THE KEEPOUT AREA FOR COMPONENTS AND SIGNAL TRACES, TOP SIDE ONLY. TOP SIDE TRACES ALLOWED WITHIN CONNECTOR HOLE PATTERN.
- 8 LIGHT PIPE PAD LAYOUT IS FOR 0805 LOW PROFILE LED PACKAGE WITH A HEIGHT OF 0.8mm.
- 9 EMI SPRING FINISH: 0.8µm MINIMUM MATTE TIN OVER 0.8µm MINIMUM NICKEL, NONPLATED EDGES PERMISSIBLE.
- 10 ADDITIONAL COMPONENT LOCATED WITHIN LATCH PLATE FOR EMI SUPPRESSION.

DIM A	ENHANCED EMI	FINISH	DESCRIPTION	PART NUMBER
0.50	YES $\triangle 10$	$\triangle 5$	INNER 2 LIGHT PIPES	2-2007394-6
			NO LIGHT PIPES	1-2007394-8
0.15	YES $\triangle 10$	$\triangle 5$	OUTER 2 LIGHT PIPES	1-2007394-7
			INNER 2 LIGHT PIPES	1-2007394-6
			4 LIGHT PIPES	1-2007394-5
0.15	NO	$\triangle 5$	NO LIGHT PIPES	2007394-8
			OUTER 2 LIGHT PIPES	2007394-7
			INNER 2 LIGHT PIPES	2007394-6
			4 LIGHT PIPES	2007394-5
SUPERSEDED	NO	$\triangle 4$	NO LIGHT PIPES	2007394-4
			OUTER 2 LIGHT PIPES	2007394-3
			INNER 2 LIGHT PIPES	2007394-2
			4 LIGHT PIPES	2007394-1

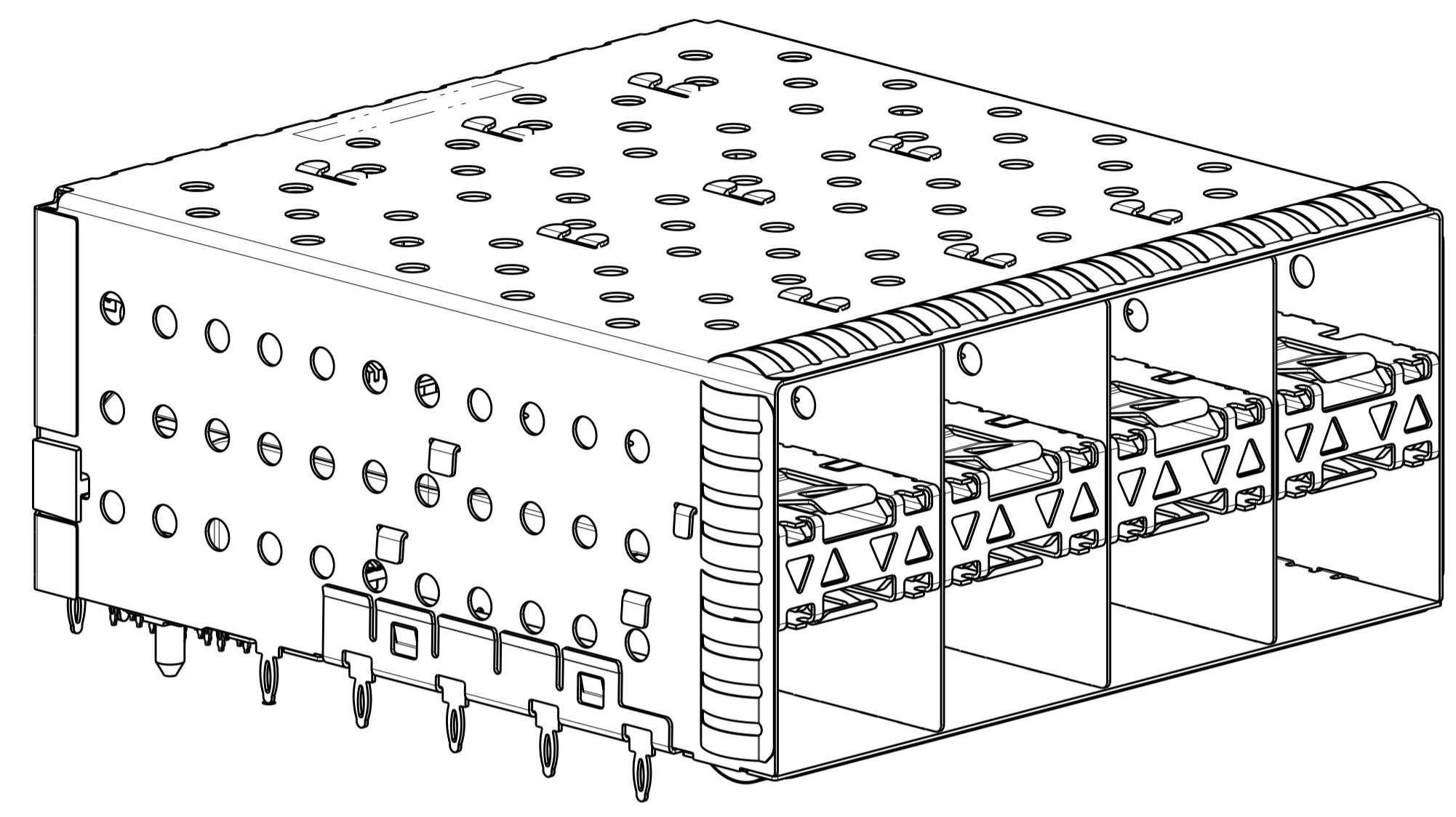
THIS DRAWING IS A CONTROLLED DOCUMENT. DIMENSIONING AND TOLERANCING PER ASME Y14.5M-2009. TOLERANCES UNLESS OTHERWISE SPECIFIED:

DIMENSIONS:	mm	0 PLC ±0.10 1 PLC ±0.10 2 PLC ±0.10 3 PLC ±0.10 4 PLC ±0.10 ANGLES ±°
MATERIAL		FINISH $\triangle 4 \triangle 5 \triangle 9$

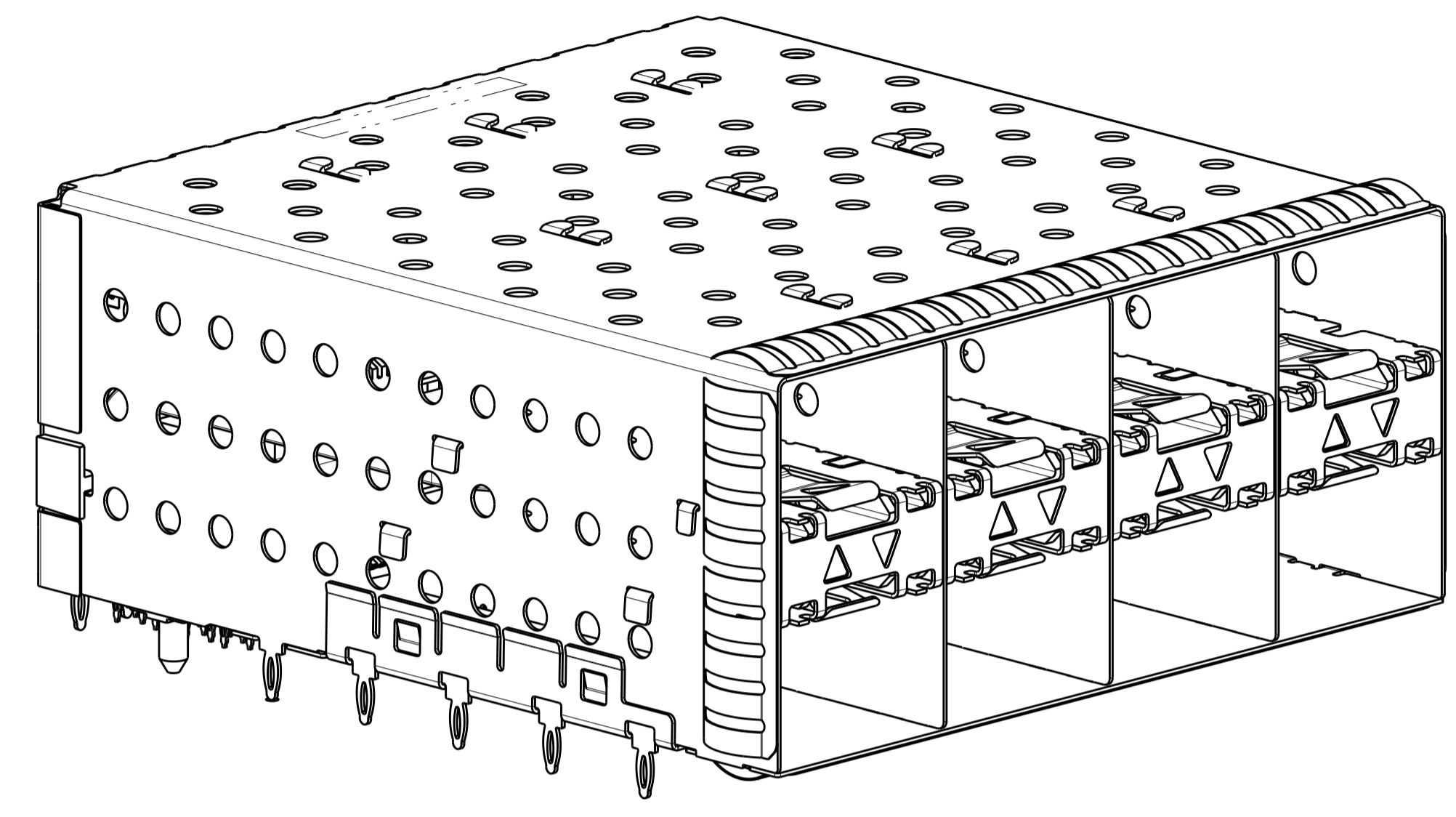
APVD: M. SHIRK 10OCT2007
CHK: D. SZCZESNY 10OCT2007
D. SZCZESNY 10OCT2007
PRODUCT SPEC: 108-2331
APPLICATION SPEC: 114-13219
WEIGHT: -
CUSTOMER DRAWING

STE TE Connectivity
NAME: CAGE AND PT CONNECTOR ASSEMBLY, WITH EMI SPRINGS, PRESS FIT, 2X4, STACKED SFP+
SIZE: CAGE CODE DRAWING NO: A100779C=2007394
RESTRICTED TO: 4
SCALE: 4:1 SHEET 1 OF 4 REV: D

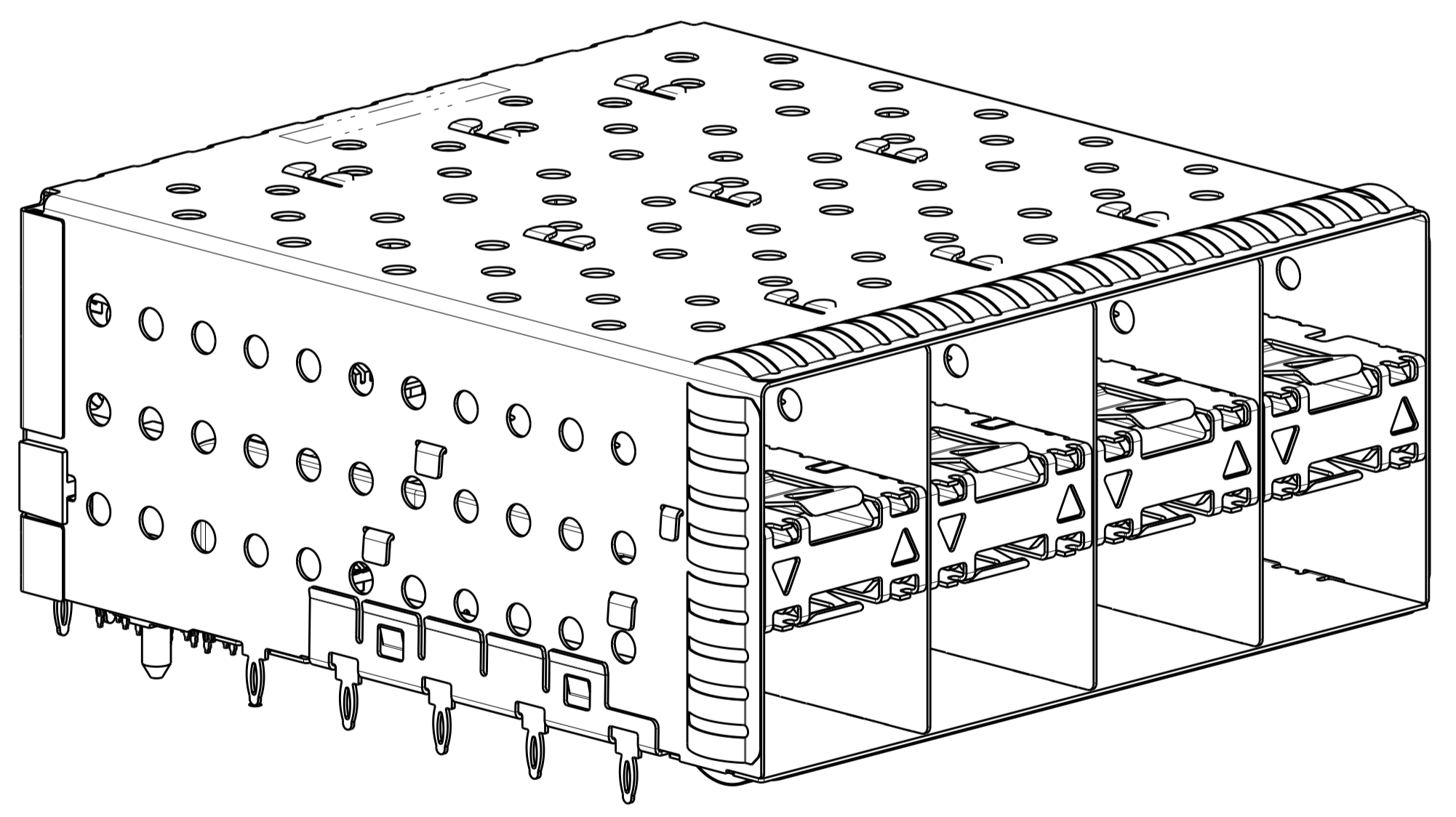
LOC	DIST	REVISIONS			
P	LTN	DESCRIPTION	DATE	DMN	APVD
rev_sym_1	1666_8H6E111			rev.defect	dmn_1bpr
rev_sym_2	rev_desc_2			rev.defect	dmn_2bpr
rev_sym_3	rev_desc_3			rev.defect	dmn_3bpr
rev_sym_4	rev_desc_4			rev.defect	dmn_4bpr



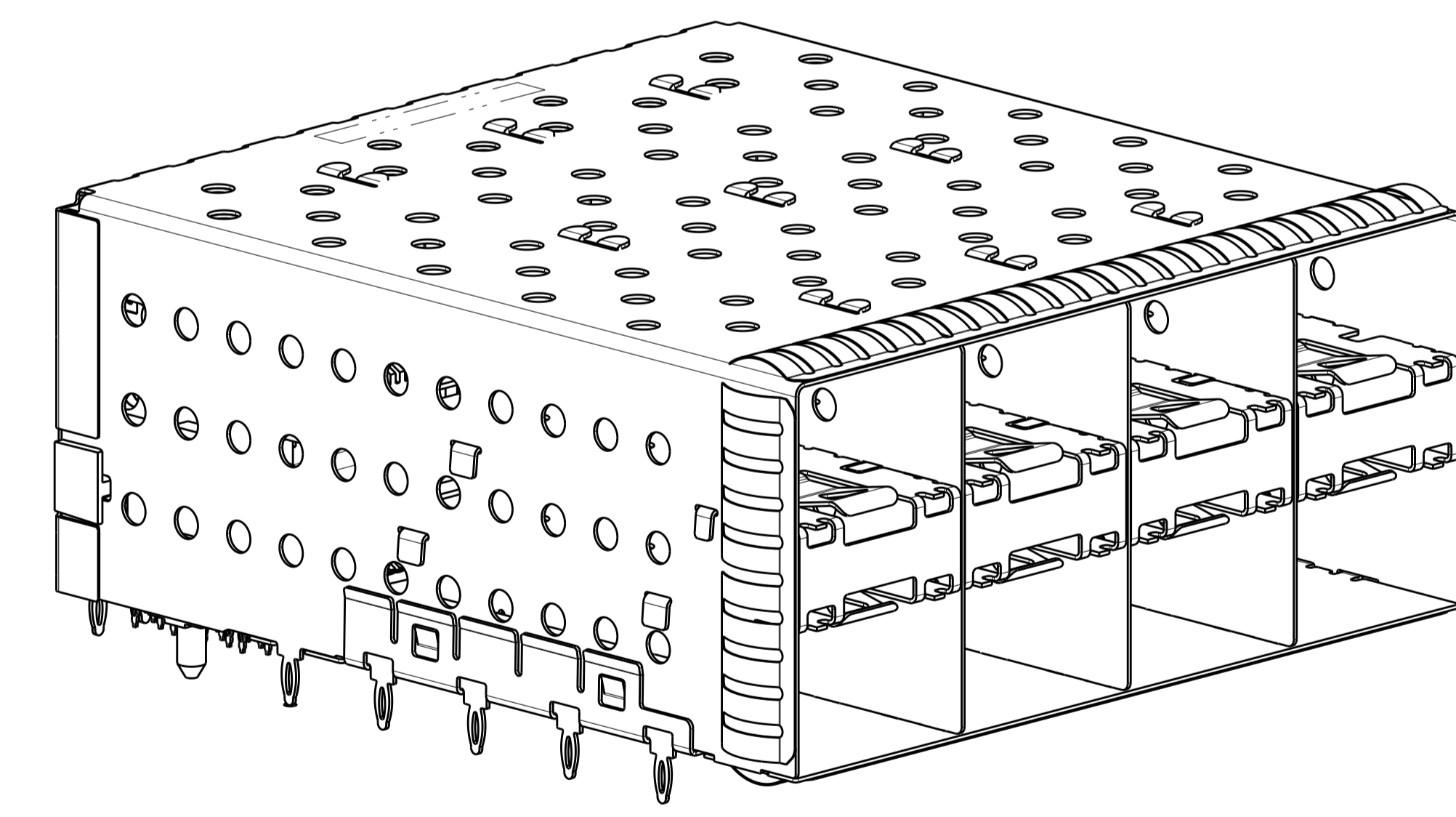
2007394-5 AND 1-2007394-5
 SCALE 3:1



2007394-6, 1-2007394-6 AND 2-2007394-6
 SCALE 3:1



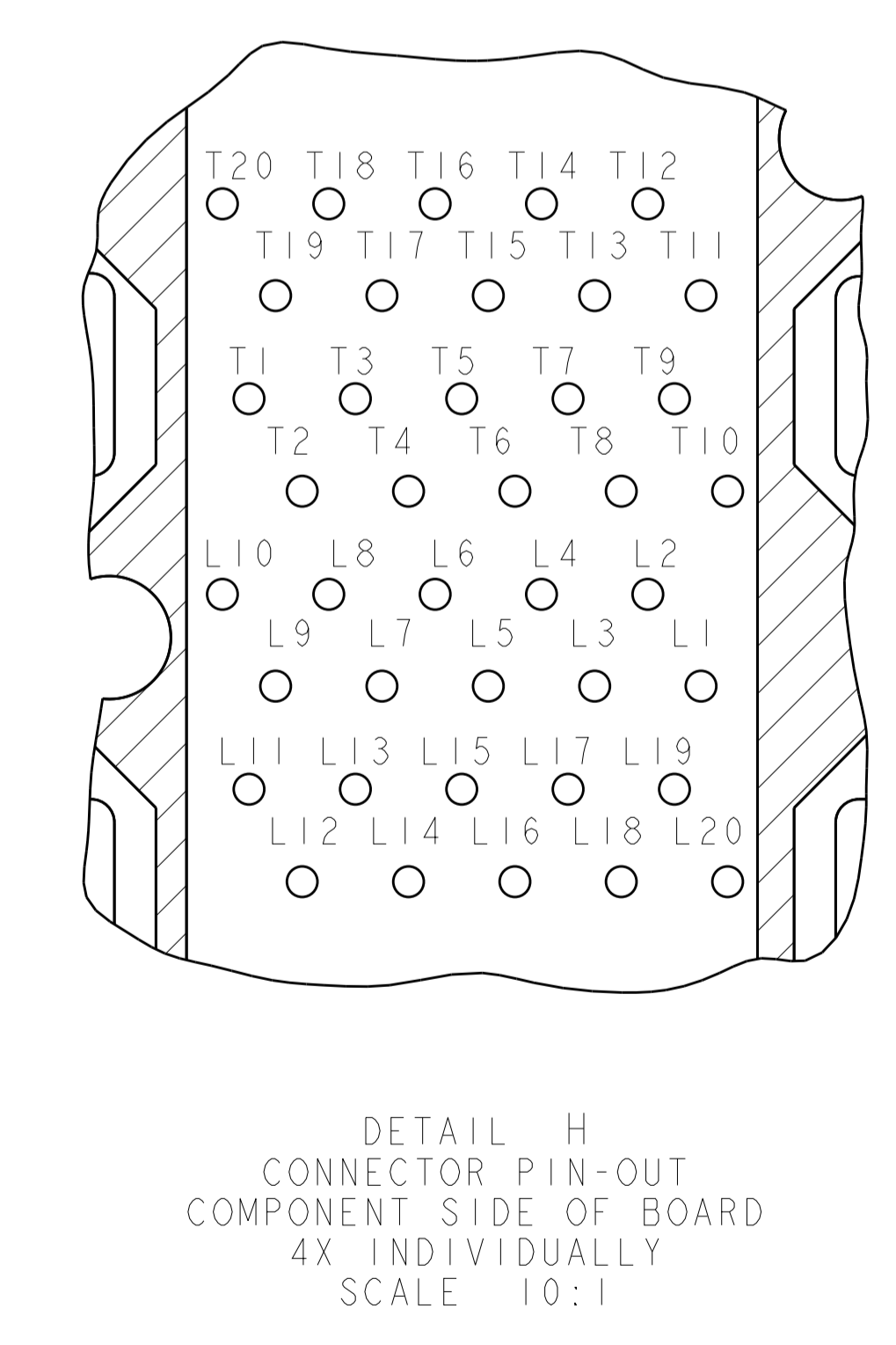
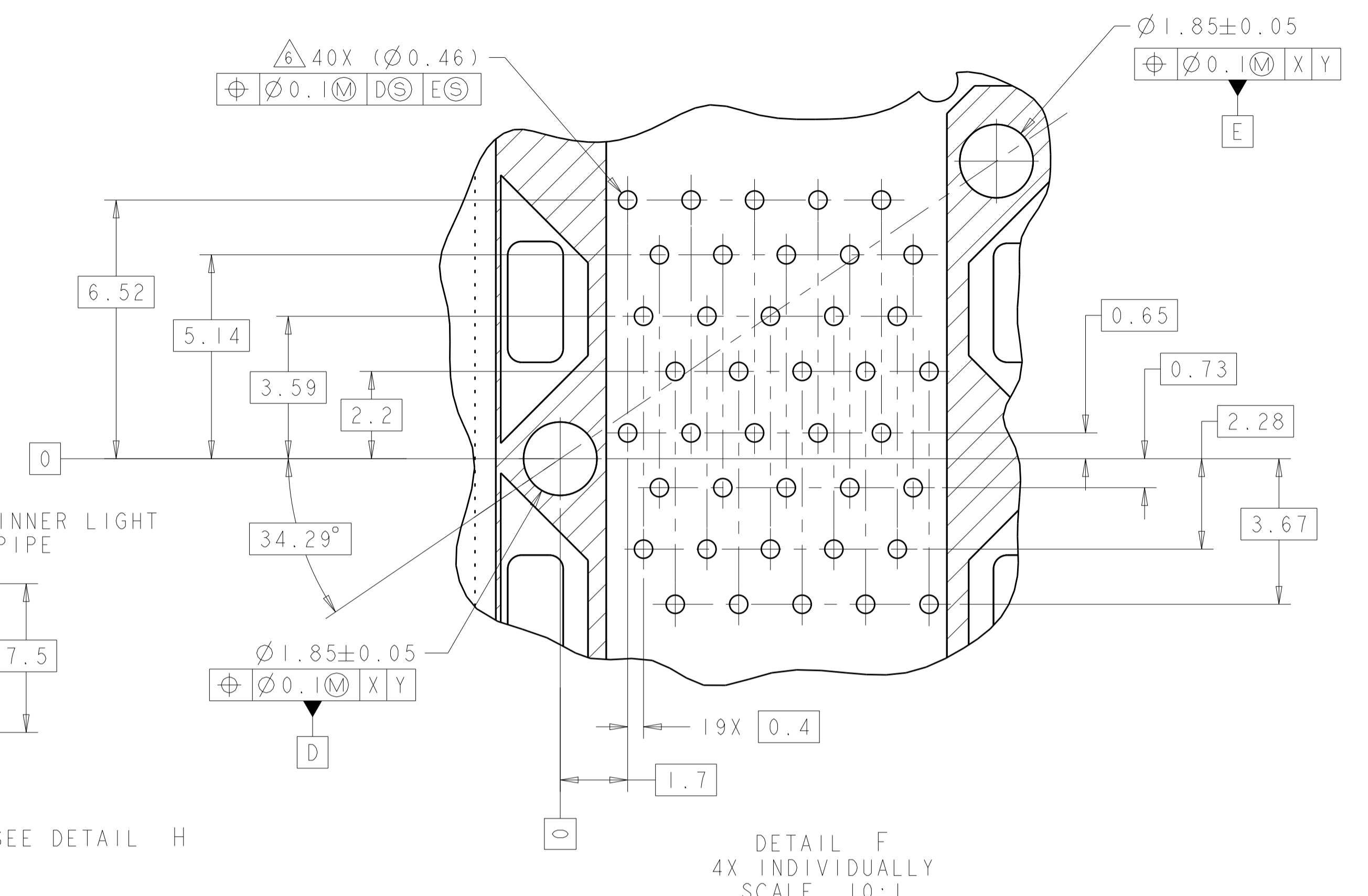
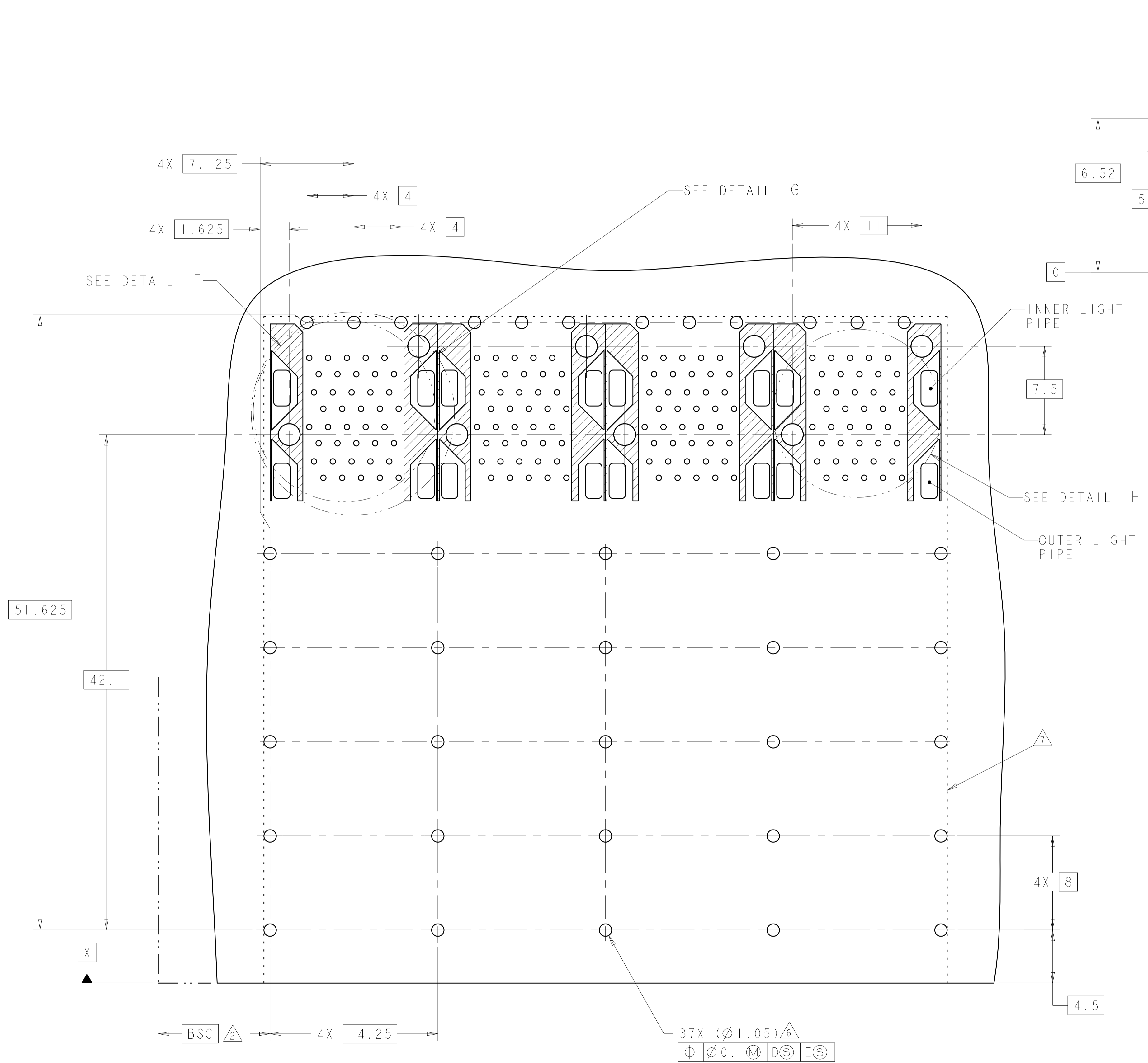
2007394-7 AND 1-2007394-7
 SCALE 3:1



2007394-8 AND 1-2007394-8
 SCALE 3:1

THIS DRAWING IS A CONTROLLED DOCUMENT. DIMENSIONING AND TOLERANCING PER ASME Y14.5M-2009		DMN: M_SHIRK 10OCT2007	TE Connectivity NAME: CAGE AND PT CONNECTOR ASSEMBLY, WITH EMI SPRINGS, PRESS FIT, 2X4, STACKED SFP+
DIMENSIONS: mm		CHK: D_SZCZESNY 10OCT2007	
TOLERANCES UNLESS OTHERWISE SPECIFIED:		APVD: D_SZCZESNY 10OCT2007	PRODUCT SPEC: 108-2331
0 PLC ±0.10		APPLICATION SPEC: 114-13219	SIZE: A1
1 PLC ±0.10		WEIGHT: -	CAGE CODE: 2007394
2 PLC ±0.10		FINISH: -	SCALE: 4:1
3 PLC ±0.10			SHEET 2 OF 4
4 PLC ±0.10			REV: D1
ANGLES: ±°		CUSTOMER DRAWING	

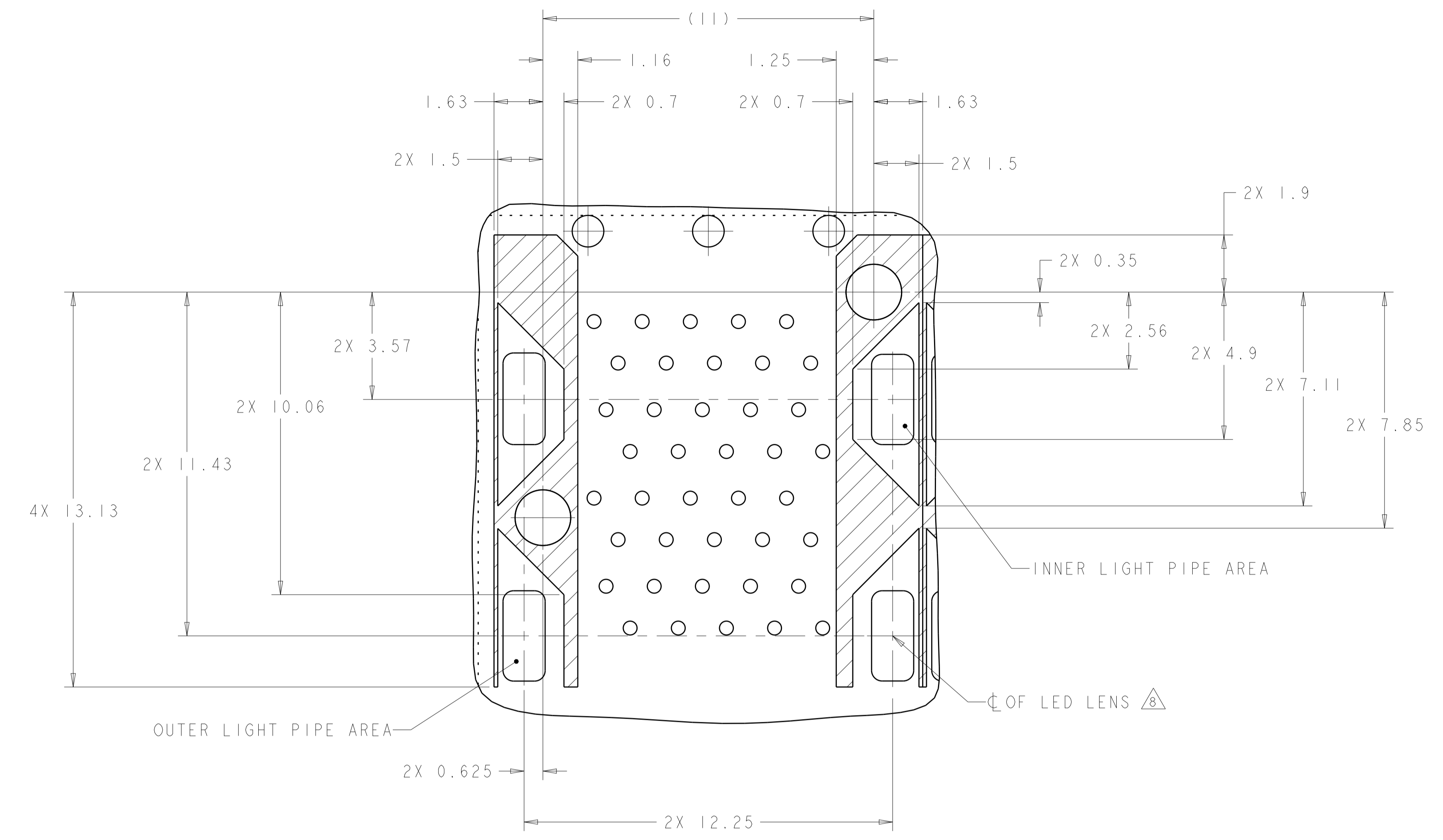
LOC	DIST	REV	DATE	APPV
		1		
		2		
		3		
		4		



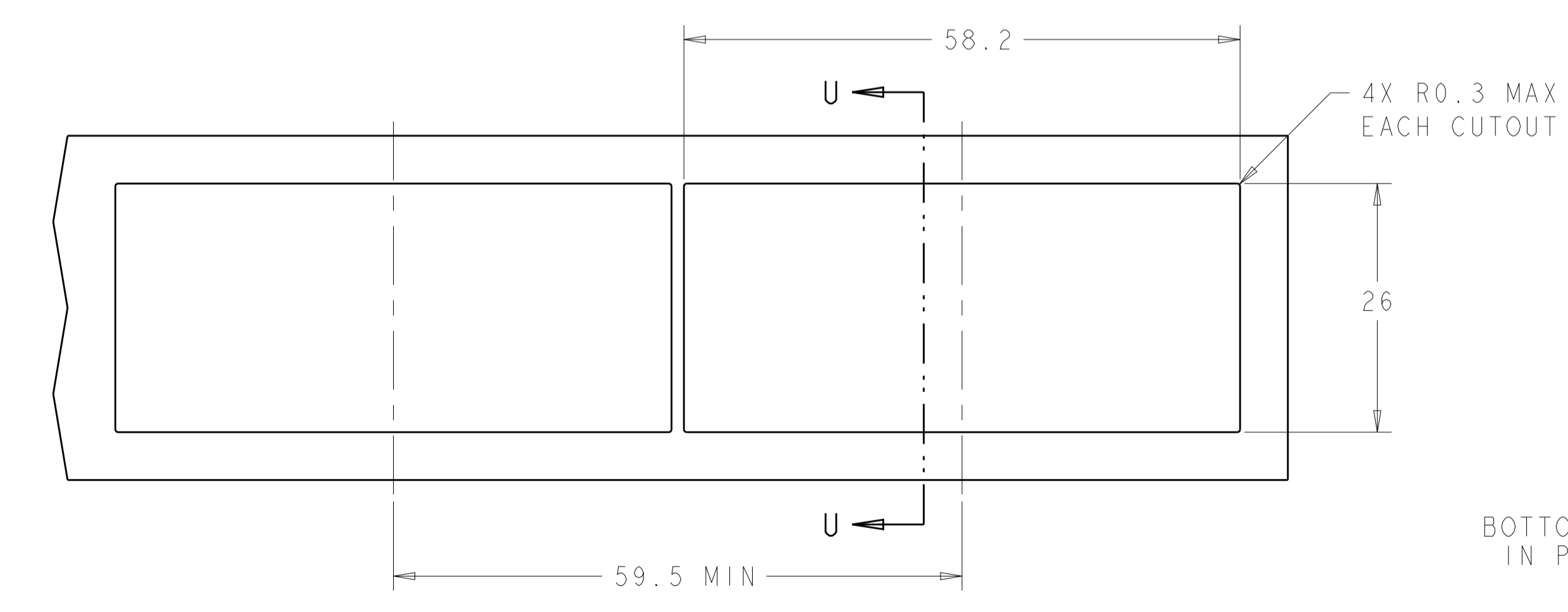
RECOMMENDED PCB LAYOUT
 COMPONENT SIDE OF BOARD
 SCALE 5:1

THIS DRAWING IS A CONTROLLED DOCUMENT. DIMENSIONING AND TOLERANCING PER: ASME Y14.5M-2009		OWN: M. SHIRK 10OCT2007	TE Connectivity
DIMENSIONS: mm		CHK: D. SZCZESNY 10OCT2007	
TOLERANCES UNLESS OTHERWISE SPECIFIED:		APPV: D. SZCZESNY 10OCT2007	NAME: CAGE AND PT CONNECTOR ASSEMBLY, WITH EMI SPRINGS, PRESS FIT, 2X4, STACKED SFP+
0 PLC ±0.10		PRODUCT SPEC: 108-2331	
1 PLC ±0.10		APPLICATION SPEC: 114-13219	SIZE: CAGE CODE DRAWING NO: A100779 ©=2007394
2 PLC ±0.10		WEIGHT: -	
3 PLC ±0.10		CUSTOMER DRAWING	RESTRICTED TO: -
4 PLC ±0.10		SCALE: 4:1	SHEET 3 OF 4
ANGLES: °			REV: D1
FINISH: -			

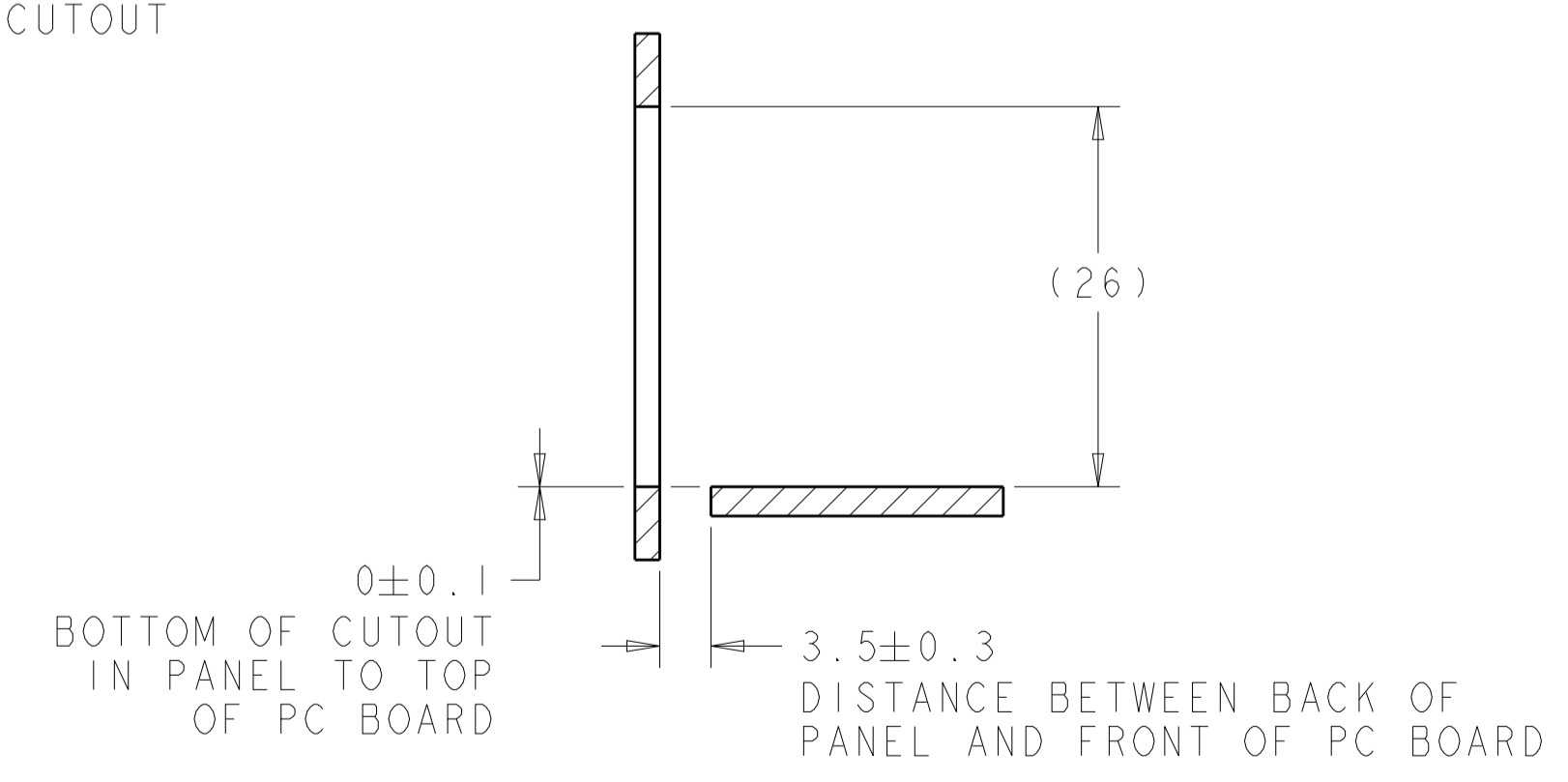
LOC	DIST	REV	DATE	BY	APPV
		1			
		2			
		3			
		4			



DETAIL G
 CONNECTOR HOUSING
 KEEP-OUT ZONE
 4X INDIVIDUALLY
 SCALE 10:1



RECOMMENDED PANEL CUTOUT
 AND PC BOARD, PANEL POSITION
 SCALE 2:1



SECTION U-U

THIS DRAWING IS A CONTROLLED DOCUMENT. DIMENSIONING AND TOLERANCING PER ASME Y14.5M-2009		DWN: M. SHIRK CHK: D. SZCZESNY APPV: D. SZCZESNY	10OCT2007 10OCT2007 10OCT2007	TE Connectivity NAME: CAGE AND PT CONNECTOR ASSEMBLY, WITH EMI SPRINGS, PRESS FIT, 2X4, STACKED SFP+
DIMENSIONS: mm	TOLERANCES UNLESS OTHERWISE SPECIFIED:	PRODUCT SPEC: 108-2331	APPLICATION SPEC: 114-13219	
MATERIAL:	FINISH:	WEIGHT:	CAGE CODE: 2007394	RESTRICTED TO: -
CUSTOMER DRAWING			SCALE: 4:1	SHEET 4 OF 4

X-ON Electronics

Largest Supplier of Electrical and Electronic Components

Click to view similar products for [I/O Connectors](#) category:

Click to view products by [TE Connectivity](#) manufacturer:

Other Similar products are found below :

[571763P](#) [58098-0628](#) [72.250.1628.2](#) [72.250.2428.2](#) [74720-0505](#) [76.350.0729.0](#) [76871-1403](#) [FCN-244F080-G/1](#) [FCN-260A9920](#) [PCR-E36PM](#) [PCS-XE26MA+](#) [G38A71314B](#) [1571250010](#) [157-22500-3](#) [MS3471L14-19P L/C](#) [172501-4002](#) [172501-6002](#) [FCN-260C008-A/L0](#) [FCN-260C024-AL0](#) [FCN-261Z008](#) [2000314-1](#) [200331-1](#) [PCR-E36FC+](#) [PCS-E28FS+](#) [PCS-XE26SLFD+](#) [PCS-XE26SLFDT+](#) [G730VID08BDC24](#) [U90B2054081210](#) [38113800006](#) [DP3AR020WQ1R200](#) [Z4.102.0680.0](#) [500-1040](#) [500-1052](#) [500-1054](#) [ZP-4008-66L](#) [0709821002](#) [DX40-20P\(55\)](#) [5554841-1](#) [MS3474W18-8P-LC*](#) [U90B3054061110](#) [U65-E04-4020](#) [ZPF000000000097891](#) [747360449](#) [10099439-003C-TRLF](#) [10137239-0021LF](#) [E9320-001-01](#) [10137239-0011LF](#) [70289-001LF](#) [70.060.1028.0](#) [109029-ZZ](#)