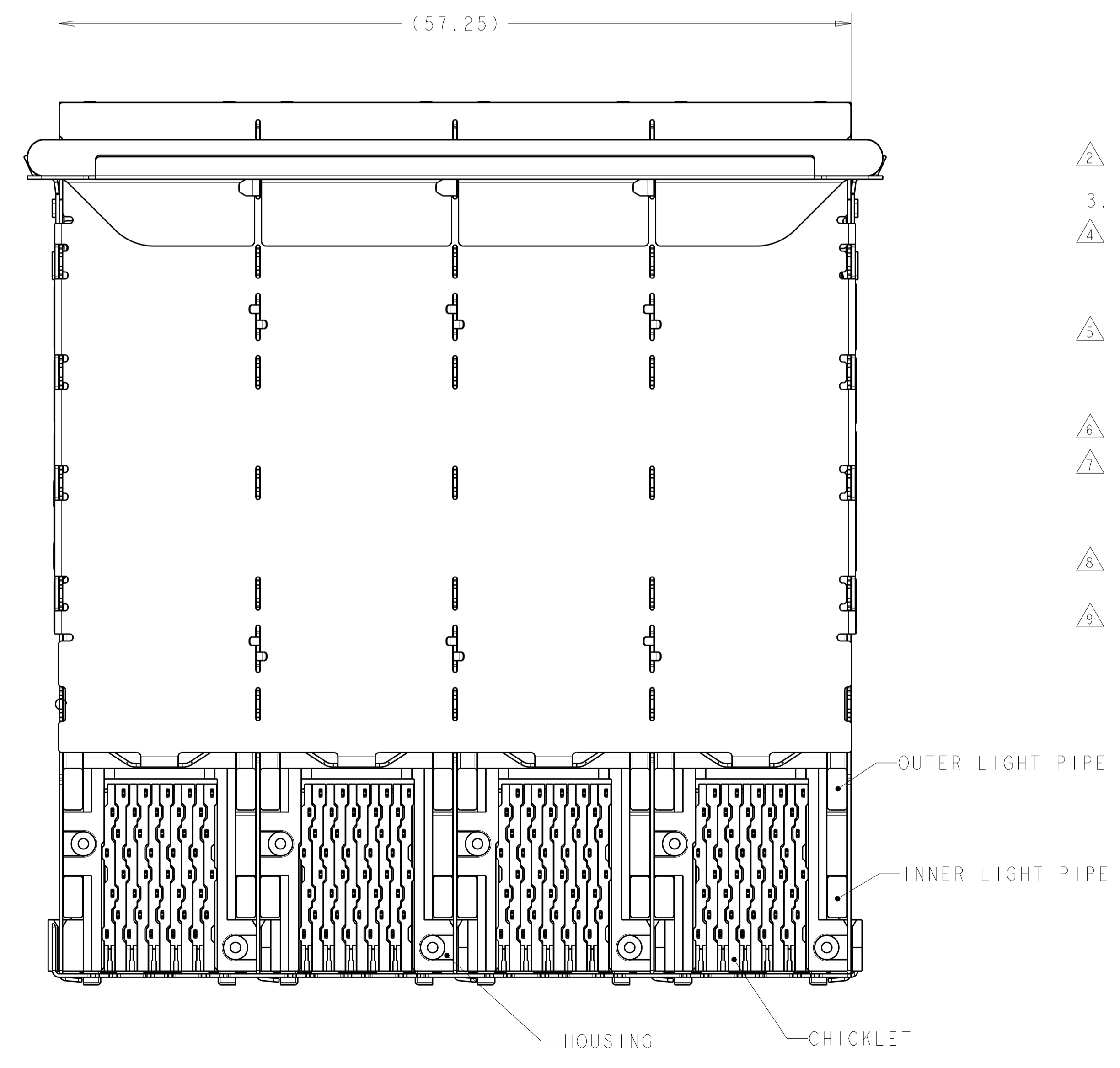
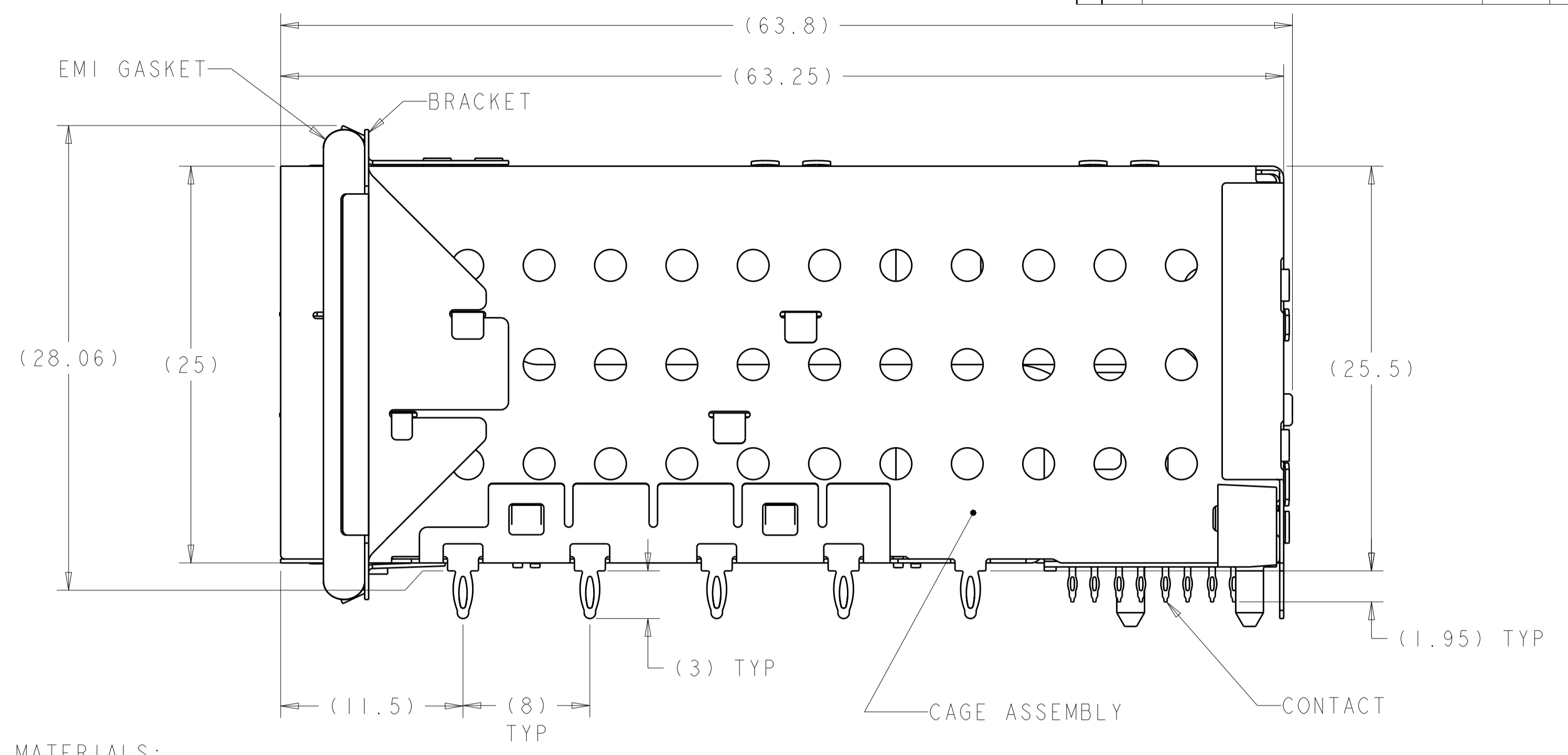
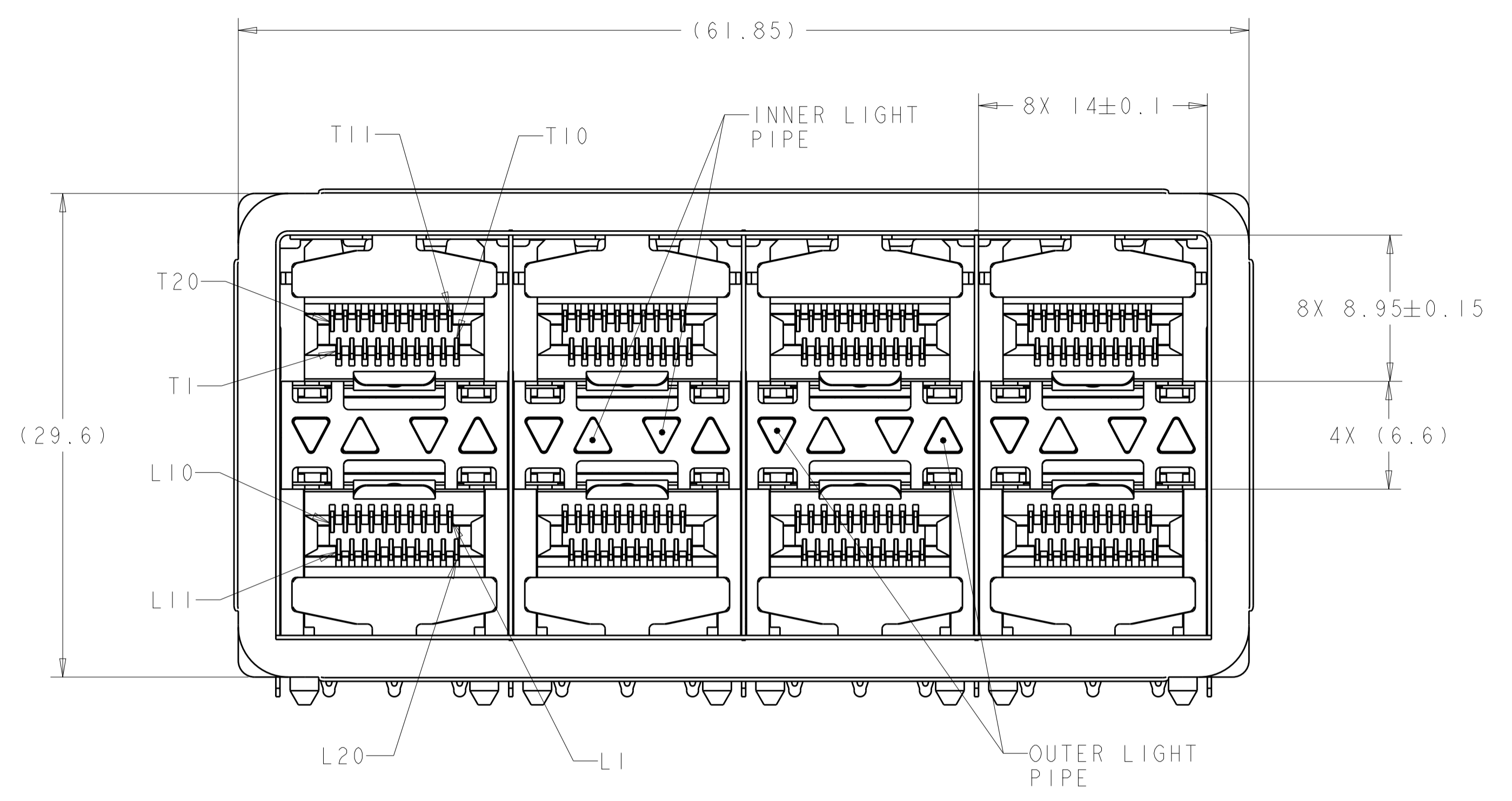


REVISIONS				
P.	LTN	DESCRIPTION	DATE	APV
D		REVISED PER ECO-15-017922	12APR2016	AP RP
D1		REVISED PER ECR-19-012588	09AUG2019	IT SH



- △ MATERIALS:
 CAGE ASSEMBLY- NICKEL SILVER ALLOY PER ASTM B 122.
 BRACKET- STAINLESS STEEL.
 EMI GASKET- PLATED FILLED SILICONE.
 HOUSING- BLACK LCP, UL 94V-0 RATED.
 CHICKLET- BLACK LCP, UL 94V-0 RATED.
 LIGHT PIPE- POLYCARBONATE, CLEAR.
 INSERT - (FOR LIGHT PIPE PART NUMBERS ONLY) - LCP, BLACK, UL 94V-0
 CONTACT- COPPER ALLOY.
- △ DATUM AND BASIC DIMENSIONS ESTABLISHED BY CUSTOMER.
- 3. MINIMUM PCB THICKNESS OF 1.5.
- △ CONTACT FINISH: CONFORMS TO THE REQUIREMENTS OF TYCO ELECTRONICS PRODUCT SPECIFICATION 108-2331, BASED ON EIA/ECA-364-1000.01A, (CONTROLLED ENVIRONMENT APPLICATIONS) ON MATING INTERFACE, TIN-LEAD ON NEEDLE EYE.
- △ CONTACT FINISH: CONFORMS TO THE REQUIREMENTS OF TYCO ELECTRONICS PRODUCT SPECIFICATION 108-2331, BASED ON EIA/ECA-364-1000.01A, (CONTROLLED ENVIRONMENT APPLICATIONS) ON MATING INTERFACE, TIN ON NEEDLE EYE.
- △ FOR HOLE SIZE AND PLATINGS, SEE APPLICATION SPEC 114-13219.
- △ THE ENTIRE AREA OF THE CONNECTOR FOOTPRINT, INDICATED BY THE DASHED LINE, TO BE CONSIDERED THE KEEPOUT AREA FOR COMPONENTS AND SIGNAL TRACES, TOP SIDE ONLY. TOP SIDE TRACES ALLOWED WITHIN CONNECTOR HOLE PATTERN.
- △ LIGHT PIPE PAD LAYOUT IS FOR 0805 LOW PROFILE LED PACKAGE WITH A HEIGHT OF 0.8mm.
- △ ADDITIONAL COMPONENT LOCATED WITHIN LATCHPLATE FOR EMI SUPPRESSION.

YES	NO	FINISH	DESCRIPTION	PART NUMBER
YES			NO LIGHT PIPES	1-2007399-8
			OUTER 2 LIGHT PIPES	1-2007399-7
			INNER 2 LIGHT PIPES	1-2007399-6
			4 LIGHT PIPES	1-2007399-5
	NO		NO LIGHT PIPES	2007399-8
			OUTER 2 LIGHT PIPES	2007399-7
			INNER 2 LIGHT PIPES	2007399-6
			4 LIGHT PIPES	2007399-5
SUPERSEDED	NO		NO LIGHT PIPES	2007399-4
			OUTER 2 LIGHT PIPES	2007399-3
			INNER 2 LIGHT PIPES	2007399-2
			4 LIGHT PIPES	2007399-1

THIS DRAWING IS A CONTROLLED DOCUMENT.

DIMENSIONS: mm

TOLERANCES UNLESS OTHERWISE SPECIFIED:

0 PLC	±0.10
1 PLC	±0.10
2 PLC	±0.10
3 PLC	±0.10
4 PLC	±0.10
ANGLES	±°

MATERIAL:

FINISH:

OWN: M. SHIRK 10OCT2007
 CHK: D. SZCZESNY 10OCT2007
 APV: D. SZCZESNY 10OCT2007

PRODUCT SPEC: 108-2331
 APPLICATION SPEC: 114-13219

WEIGHT: -

CUSTOMER DRAWING

STE TE Connectivity

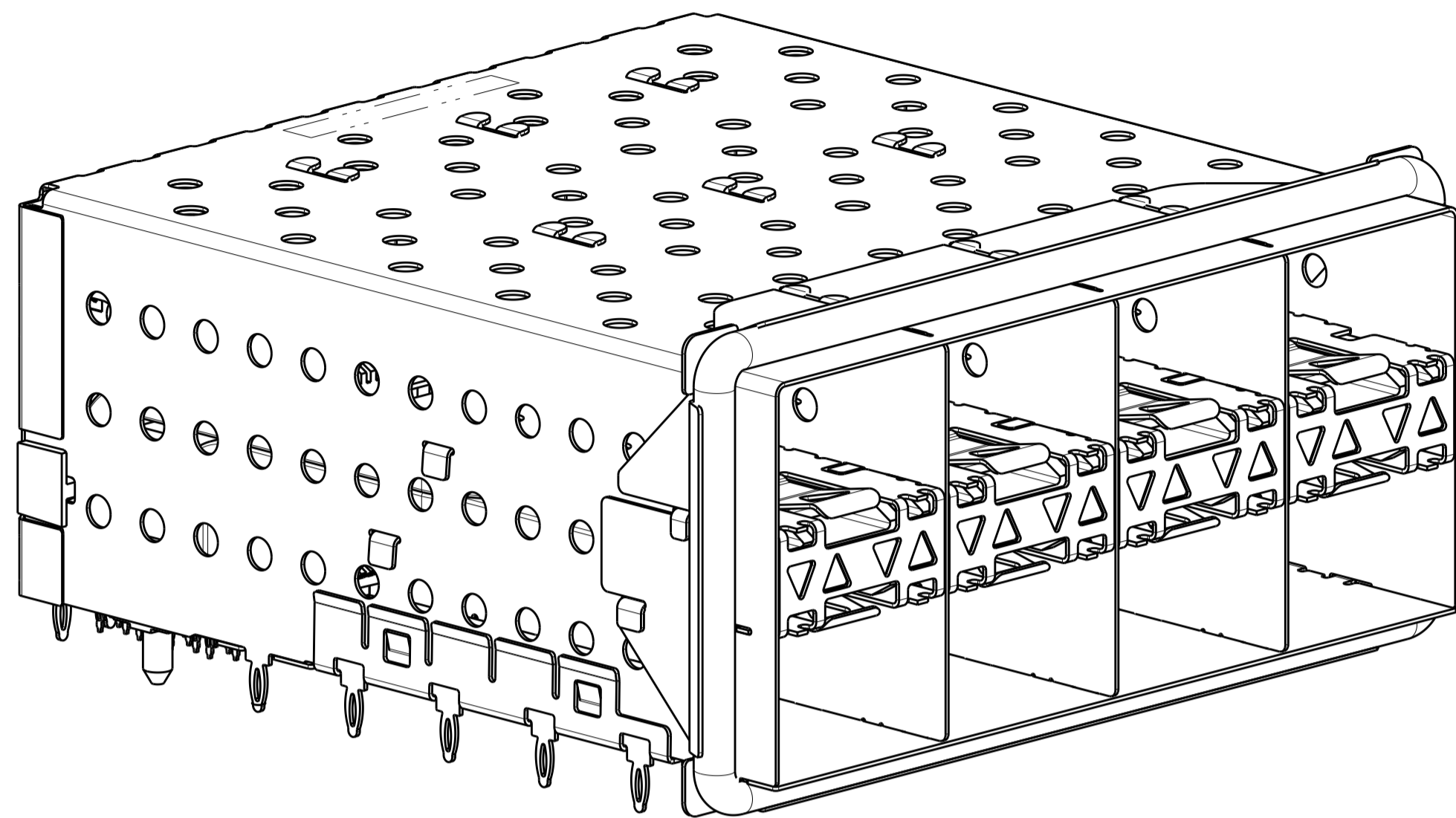
NAME: CAGE AND PT CONNECTOR ASSEMBLY, WITH EMI GASKET, PRESS FIT, 2X4, STACKED SFP+

SIZE: 114-13219
 CAGE CODE: A100779
 DRAWING NO: C=2007399

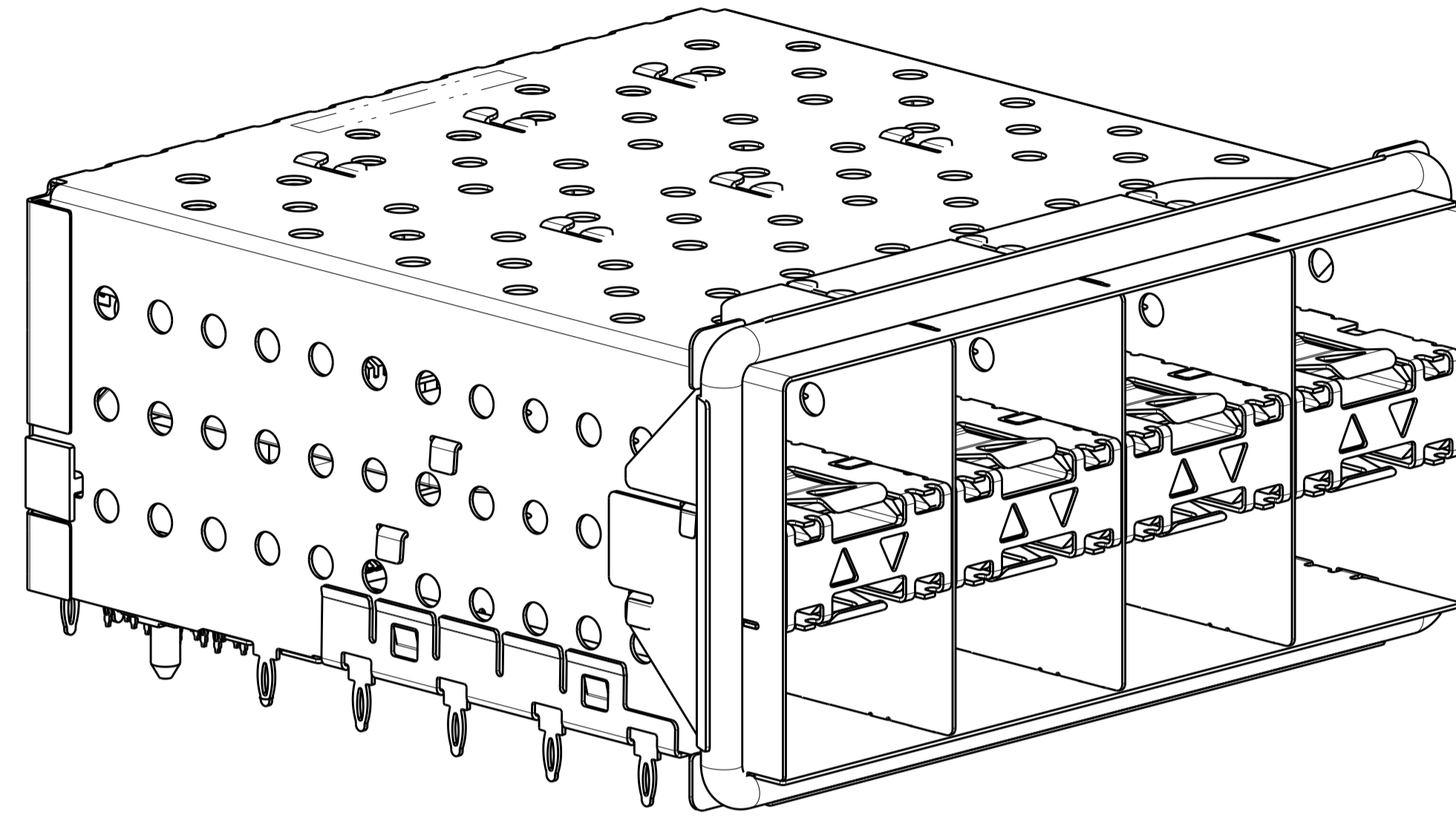
RESTRICTED TO: -

SCALE: 4:1 SHEET 1 OF 4 REV: D1

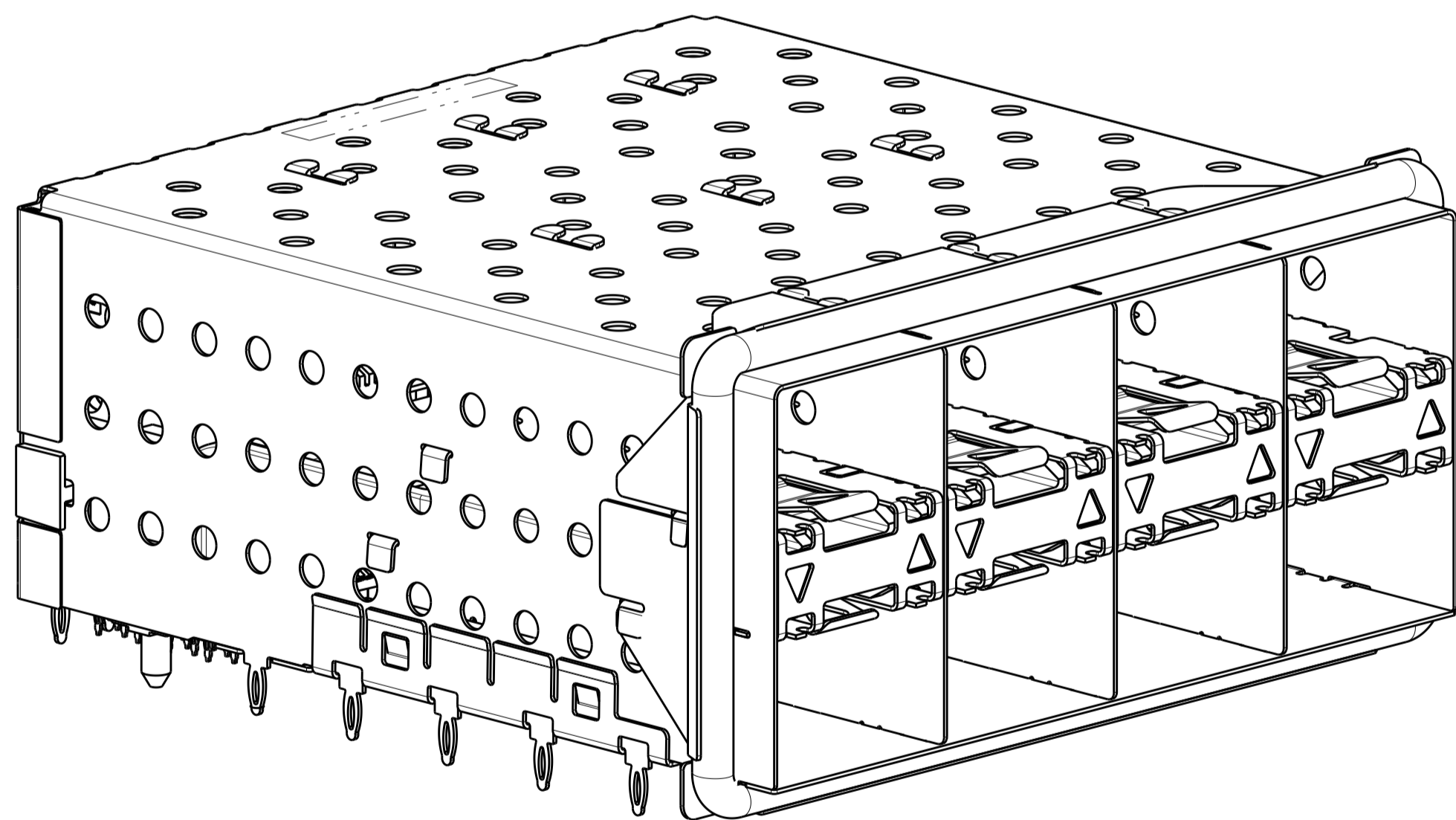
REVISIONS				
P.	LTN	DESCRIPTION	DATE	APPV
-	-	SEE SHEET 1	-	-



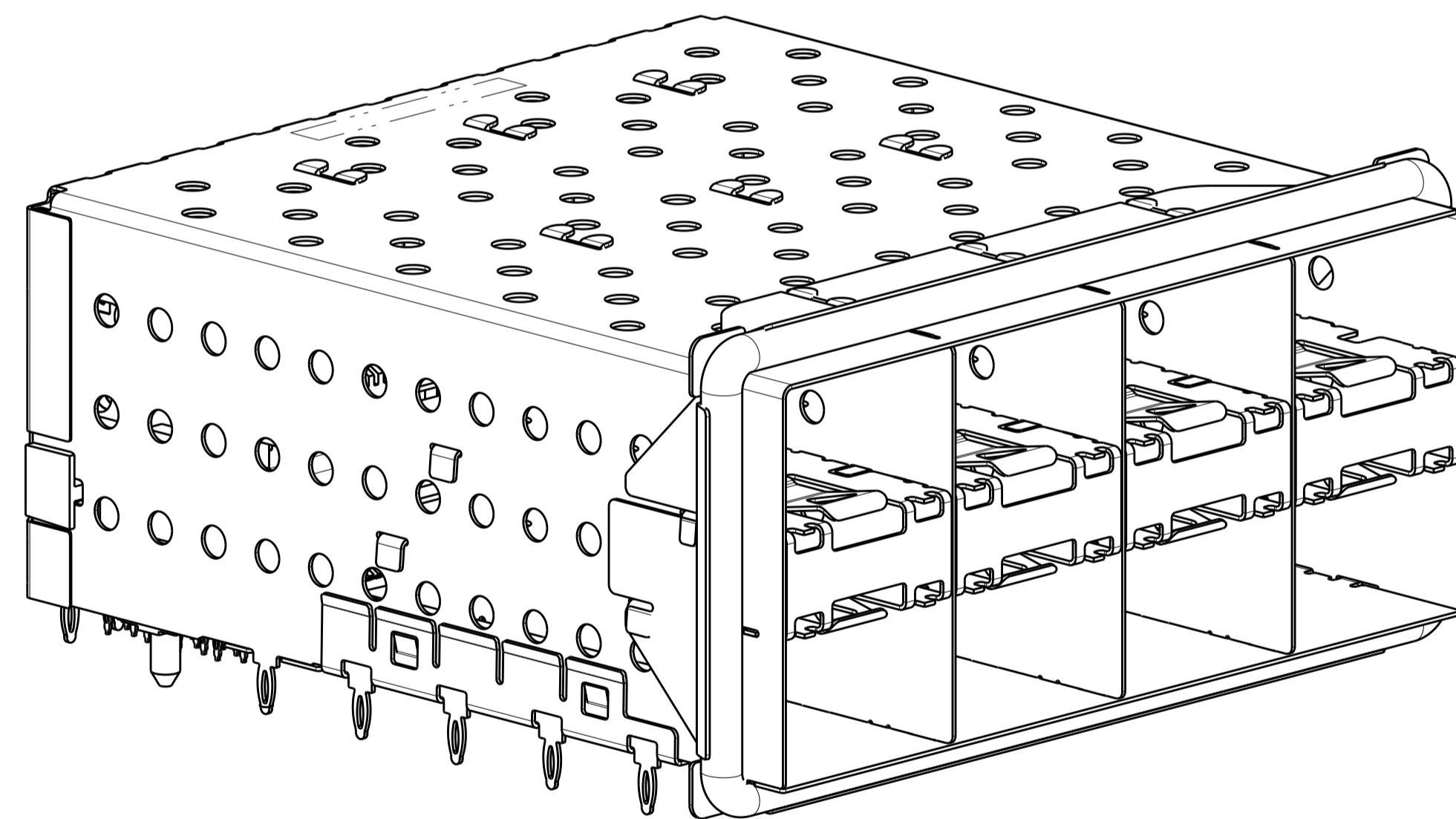
2007399-5 AND 1-2007399-5
 SCALE 3:1




2007399-6 AND 1-2007399-6
 SCALE 3:1



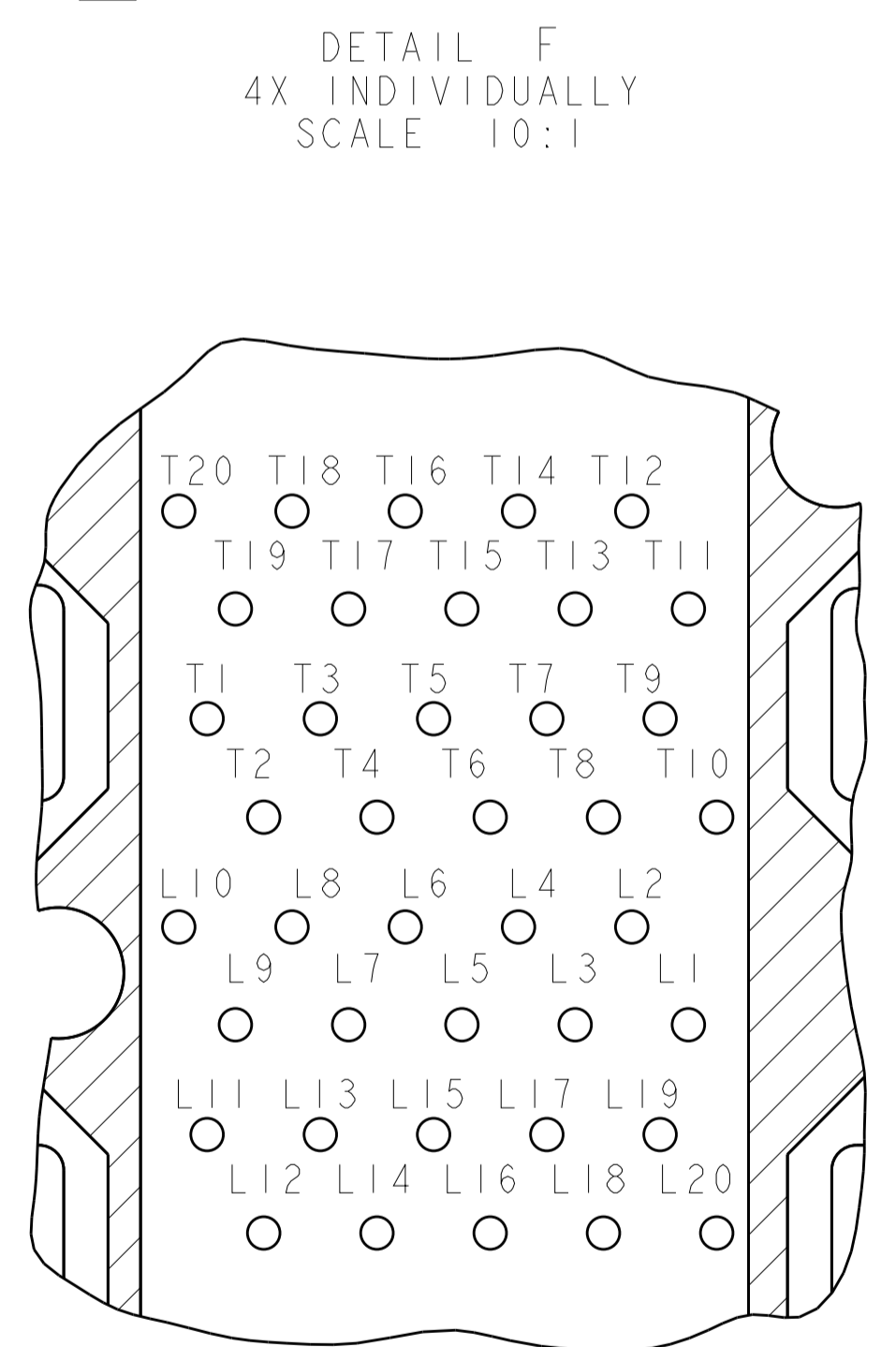
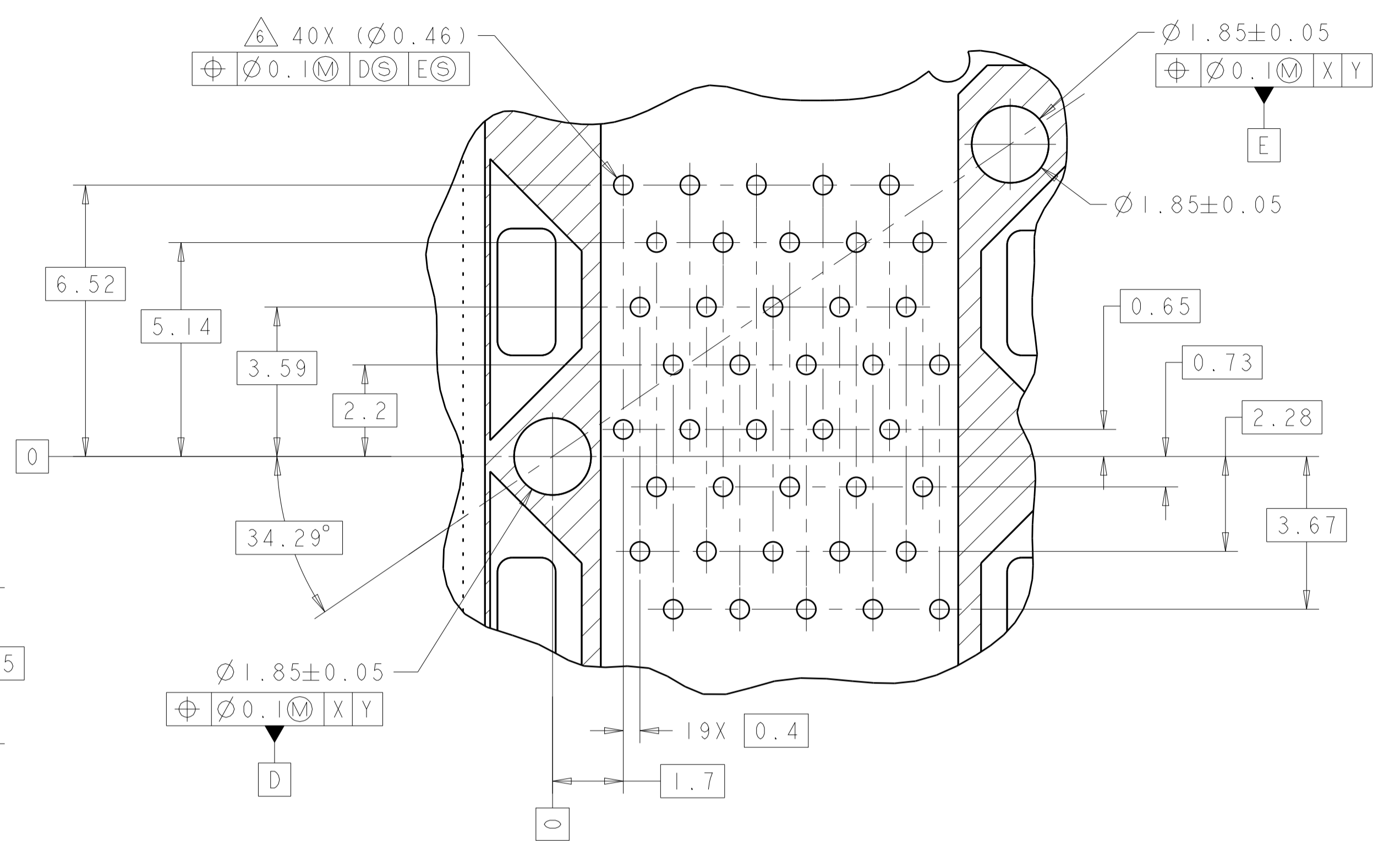
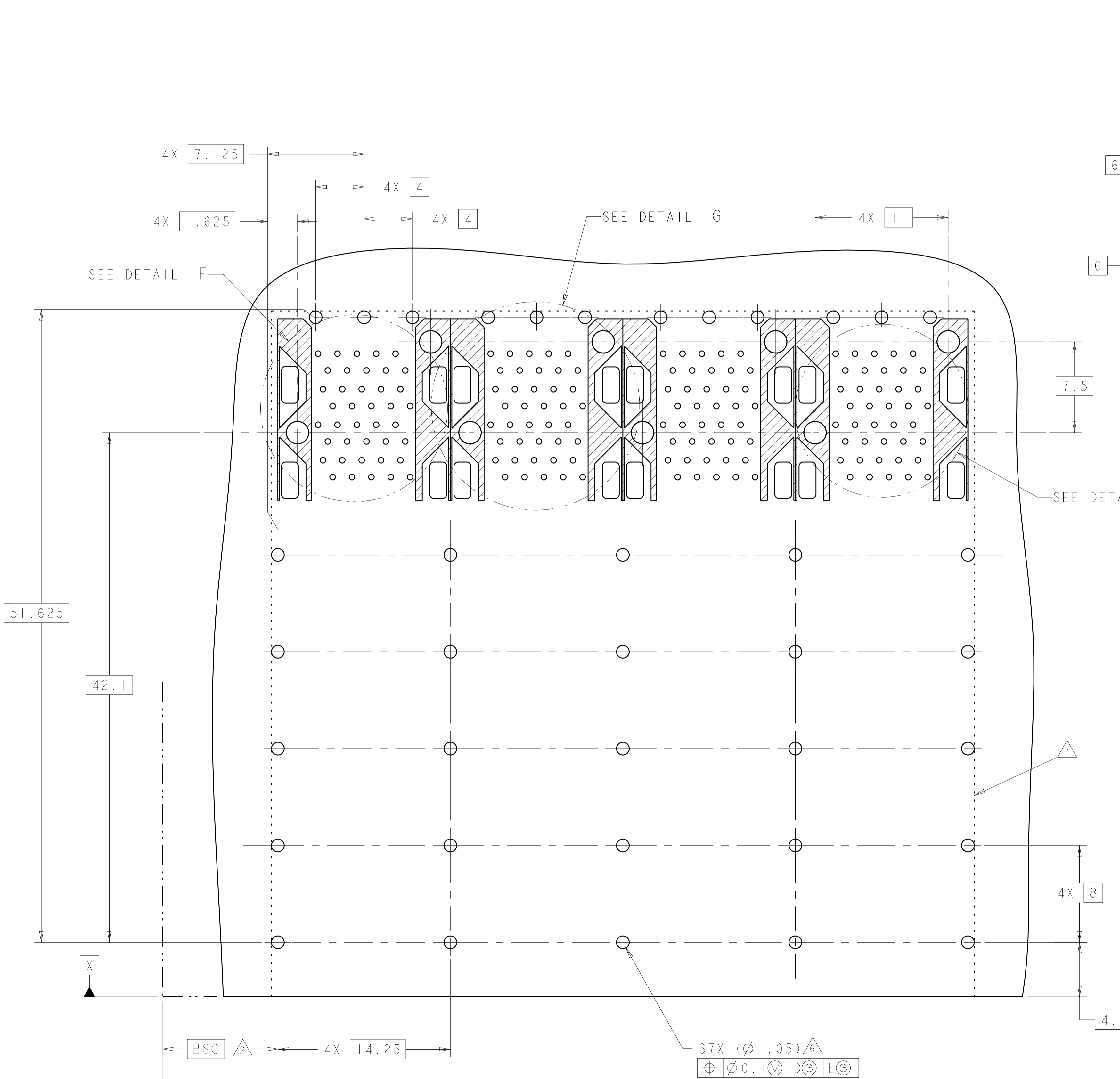
2007399-7 AND 1-2007399-7
 SCALE 3:1



2007399-8 AND 1-2007399-8
 SCALE 3:1

THIS DRAWING IS A CONTROLLED DOCUMENT.		DWN: M. SHIRK 10OCT2007	 TE Connectivity
DIMENSIONS: mm		CHK: D. SZCZESNY 10OCT2007	
TOLERANCES UNLESS OTHERWISE SPECIFIED: 0 PLC ±0.10 1 PLC ±0.10 2 PLC ±0.10 3 PLC ±0.10 4 PLC ±0.10 ANGLES ±°		APV: D. SZCZESNY 10OCT2007	NAME: CAGE AND PT CONNECTOR ASSEMBLY, WITH EMI GASKET, PRESS FIT, 2X4, STACKED SFP+
MATERIAL: FINISH		PRODUCT SPEC: 108-2331	
		APPLICATION SPEC: 114-13219	SIZE: A100779
		WEIGHT: -	CAGE CODE: C=2007399
		CUSTOMER DRAWING	SCALE: 4:1 SHEET 1 OF 4 REV: D1

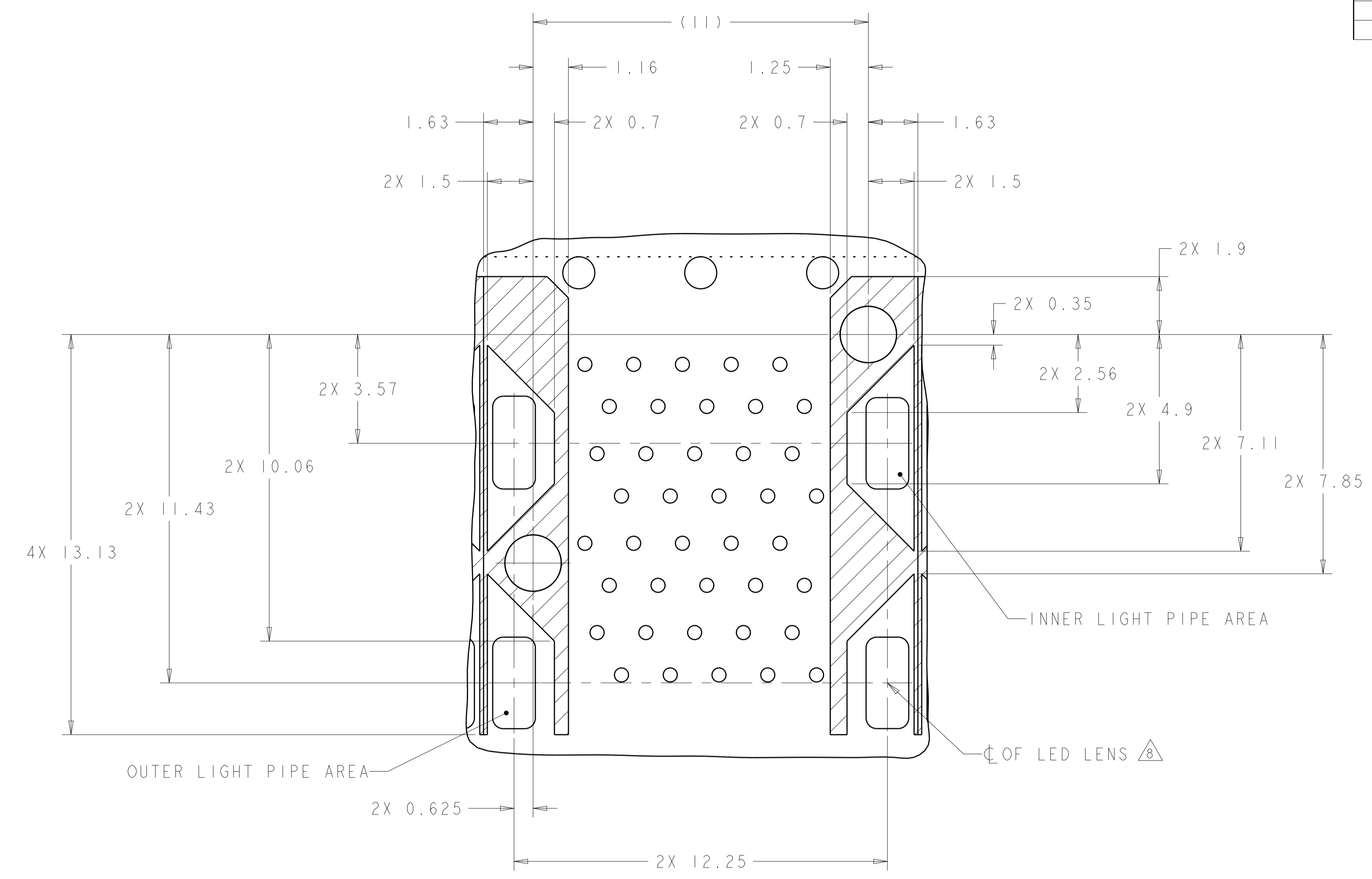
REVISIONS				
P.	LTN	DESCRIPTION	DATE	APPV
-	-	SEE SHEET 1	-	-



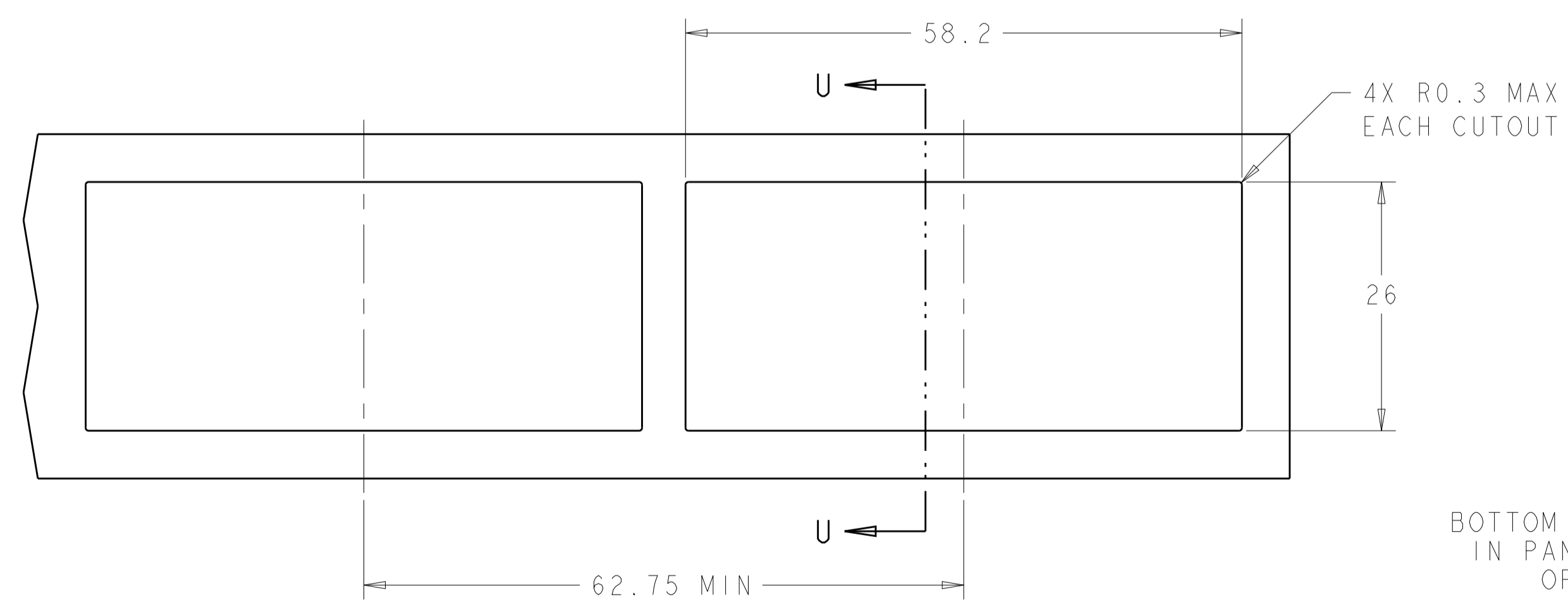
RECOMMENDED PCB LAYOUT
 COMPONENT SIDE OF BOARD
 SCALE 5:1

THIS DRAWING IS A CONTROLLED DOCUMENT.		OWN M. SHIRK CHK D. SZCZESNY APV D. SZCZESNY	10OCT2007 10OCT2007 10OCT2007	TE Connectivity NAME CAGE AND PT CONNECTOR ASSEMBLY, WITH EMI GASKET, PRESS FIT, 2X4, STACKED SFP+
DIMENSIONS:	TOLERANCES UNLESS OTHERWISE SPECIFIED:	PRODUCT SPEC	APPLICATION SPEC	
mm	0 PLC ±0.10 2 PLC ±0.10 3 PLC ±0.10 4 PLC ±0.10 ANGLES ±°	108-2331	114-13219	SIZE A100779
MATERIAL	FINISH	WEIGHT	CUSTOMER DRAWING	RESTRICTED TO SCALE 4:1 SHEET 1 OF 4 REV D1

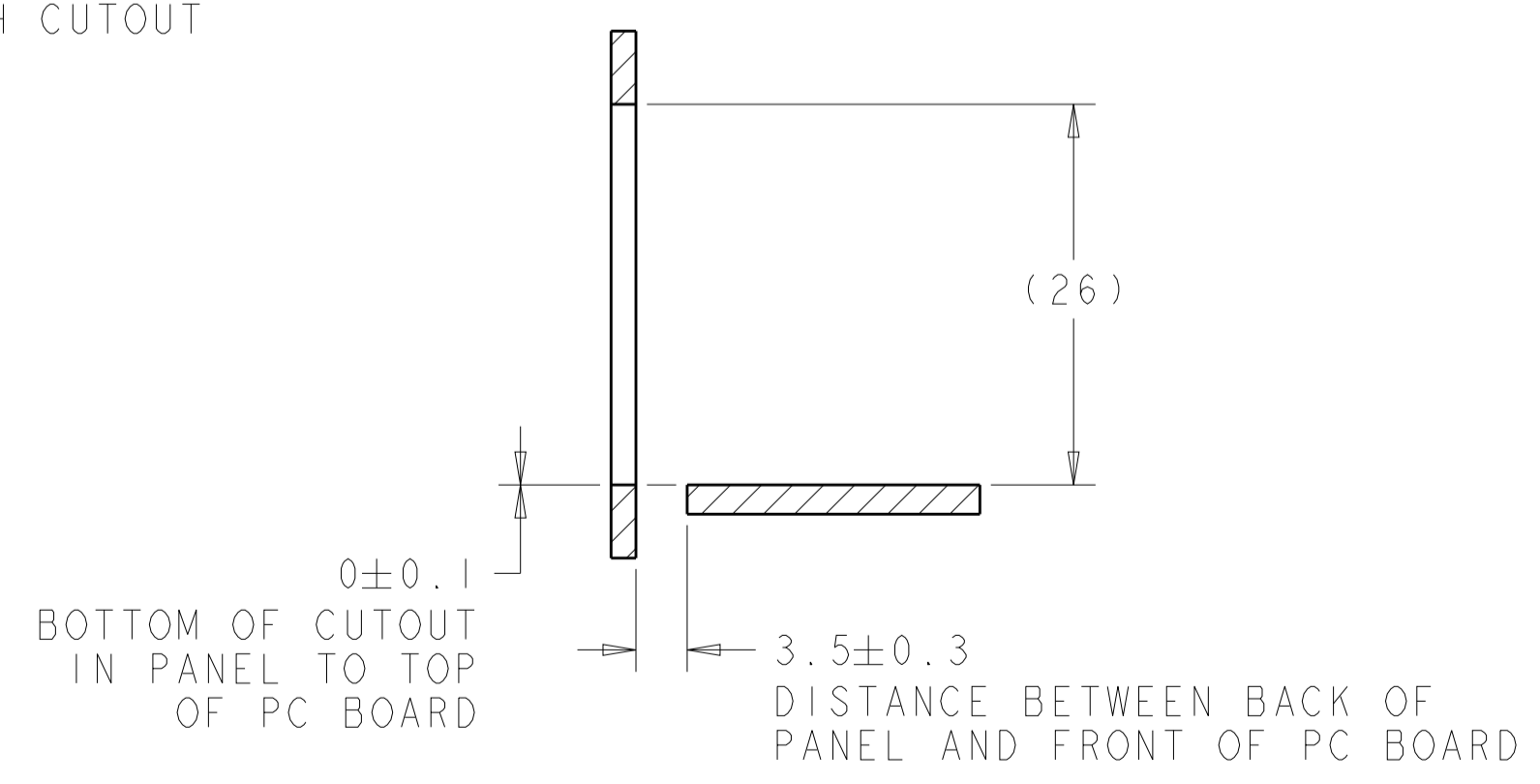
REVISIONS				
P.	LTN	DESCRIPTION	DATE	APP'D
-	-	SEE SHEET 1	-	-



DETAIL G
 CONNECTOR HOUSING
 KEEPOUT ZONE
 4X INDIVIDUALLY
 SCALE 10:1



RECOMMENDED PANEL CUTOUT
 AND PC BOARD, PANEL POSITION
 SCALE 2:1



SECTION U-U

THIS DRAWING IS A CONTROLLED DOCUMENT.		DWN M. SHIRK 10OCT2007	TE Connectivity
DIMENSIONS: mm		CHK D. SZCZESNY 10OCT2007	
TOLERANCES UNLESS OTHERWISE SPECIFIED:		APVD D. SZCZESNY 10OCT2007	NAME CAGE AND PT CONNECTOR ASSEMBLY, WITH EMI GASKET, PRESS FIT, 2X4, STACKED SFP+
0 PLC ±0.10	1 PLC ±0.10	PRODUCT SPEC 108-2331	SIZE A100779
2 PLC ±0.10	3 PLC ±0.10	APPLICATION SPEC 114-13219	SCALE 4:1
4 PLC ±	ANGLES ±°	WEIGHT	SHEET 1 OF 4
MATERIAL	FINISH	CUSTOMER DRAWING	REV D1

X-ON Electronics

Largest Supplier of Electrical and Electronic Components

Click to view similar products for [I/O Connectors](#) category:

Click to view products by [TE Connectivity](#) manufacturer:

Other Similar products are found below :

[571763P](#) [58098-0628](#) [72.250.1628.2](#) [72.250.2428.2](#) [74720-0505](#) [76.350.0729.0](#) [76871-1403](#) [FCN-244F080-G/1](#) [FCN-260A9920](#) [PCR-E36PM](#) [PCS-XE26MA+](#) [G38A71314B](#) [1571250010](#) [157-22500-3](#) [MS3471L14-19P L/C](#) [172501-4002](#) [172501-6002](#) [FCN-260C008-A/L0](#) [FCN-260C024-AL0](#) [FCN-261Z008](#) [2000314-1](#) [200331-1](#) [PCR-E36FC+](#) [PCS-E28FS+](#) [PCS-XE26SLFD+](#) [PCS-XE26SLFDT+](#) [G730VID08BDC24](#) [U90B2054081210](#) [38113800006](#) [DP3AR020WQ1R200](#) [Z4.102.0680.0](#) [500-1040](#) [500-1052](#) [500-1054](#) [ZP-4008-66L](#) [0709821002](#) [DX40-20P\(55\)](#) [5554841-1](#) [MS3474W18-8P-LC*](#) [U90B3054061110](#) [U65-E04-4020](#) [ZPF000000000097891](#) [747360449](#) [10099439-003C-TRLF](#) [10137239-0021LF](#) [E9320-001-01](#) [10137239-0011LF](#) [70289-001LF](#) [70.060.1028.0](#) [109029-ZZ](#)