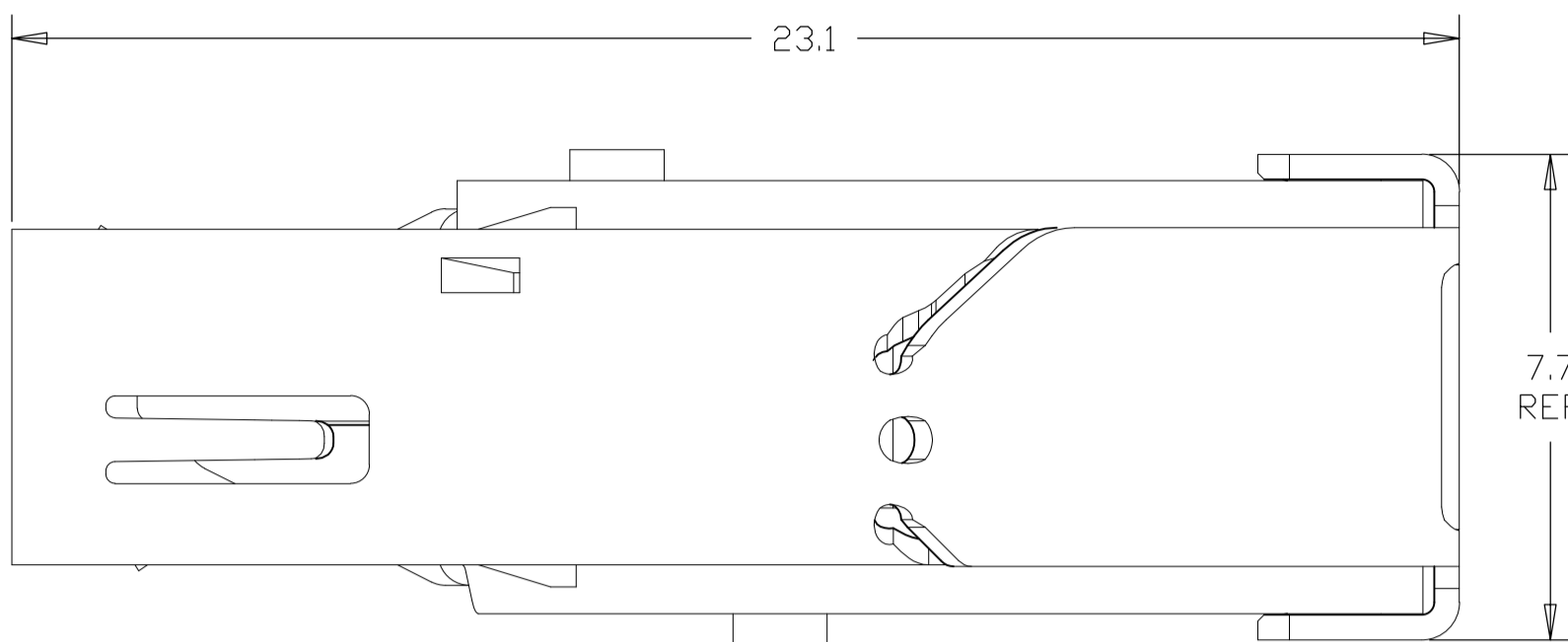
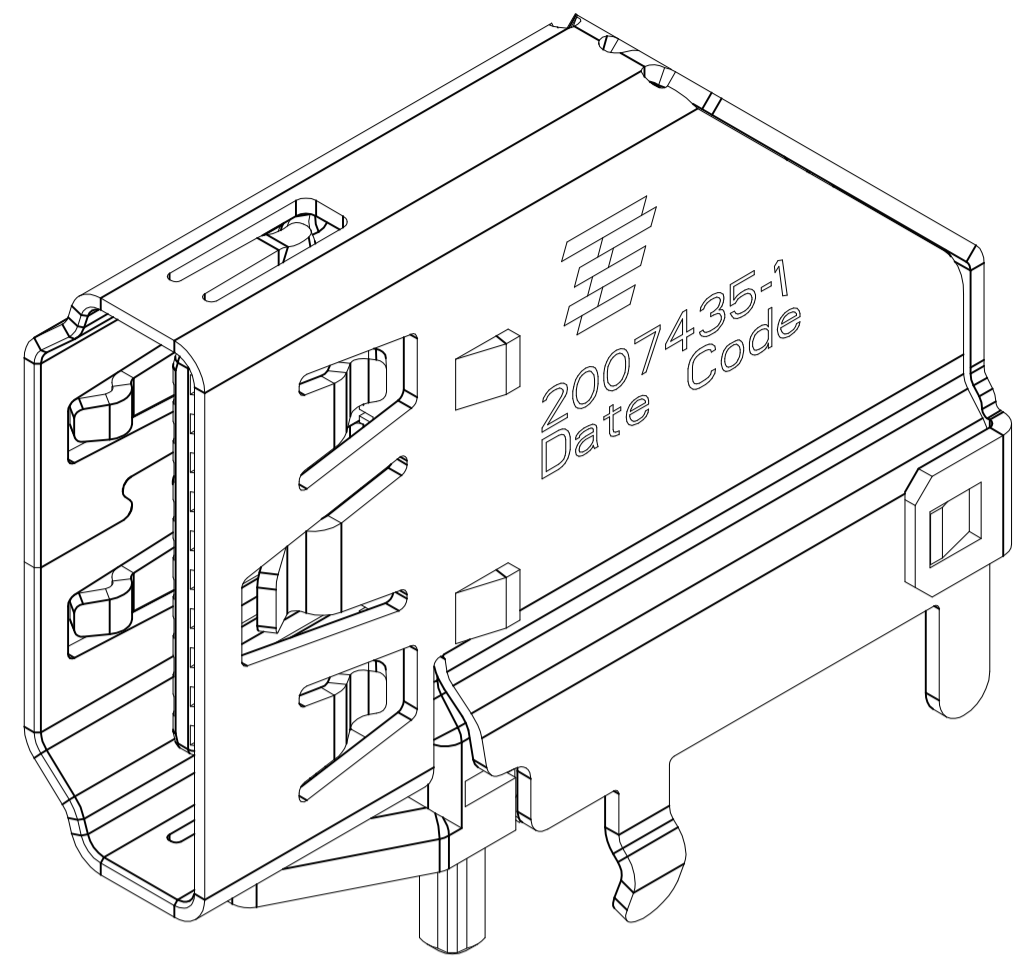
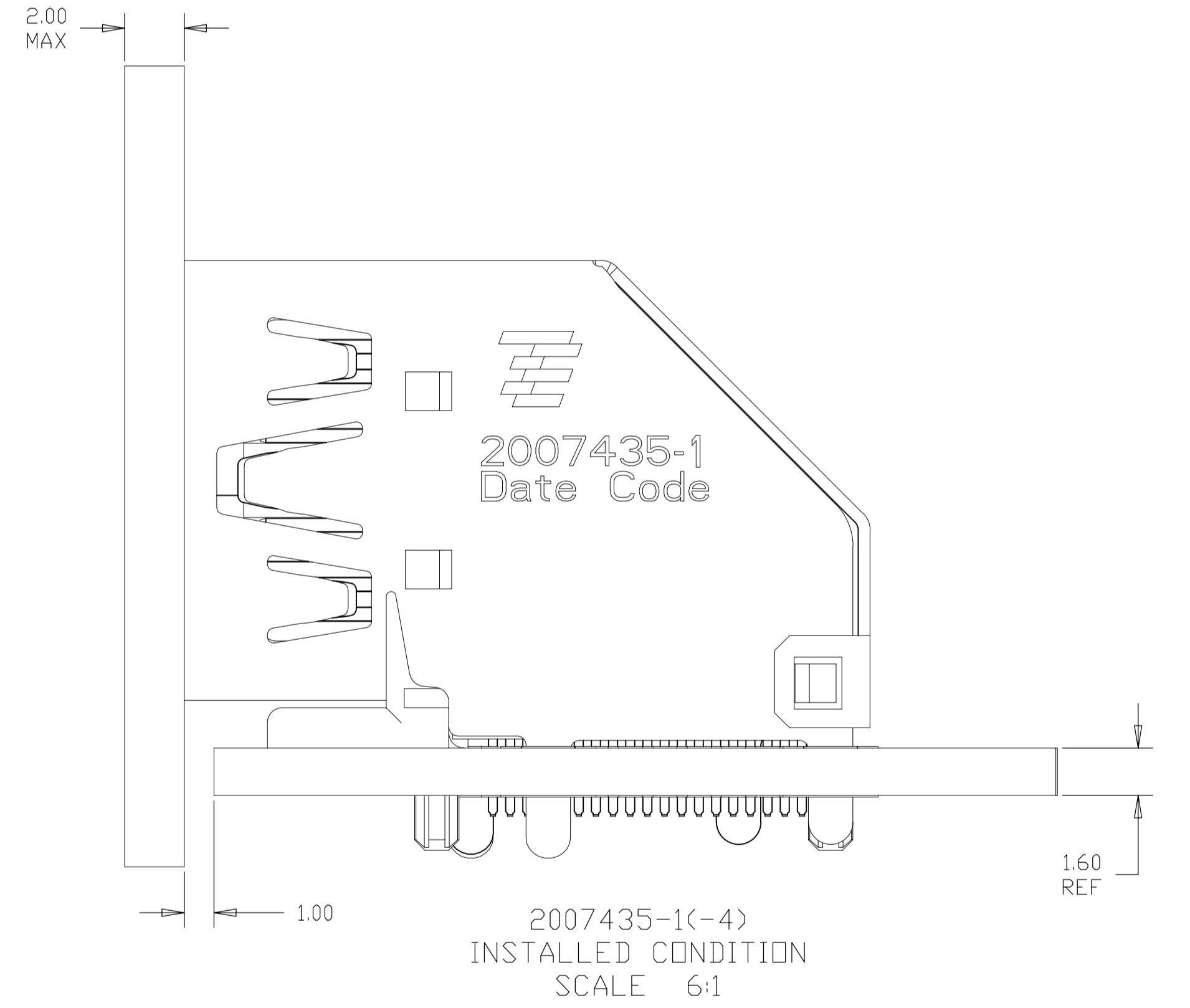
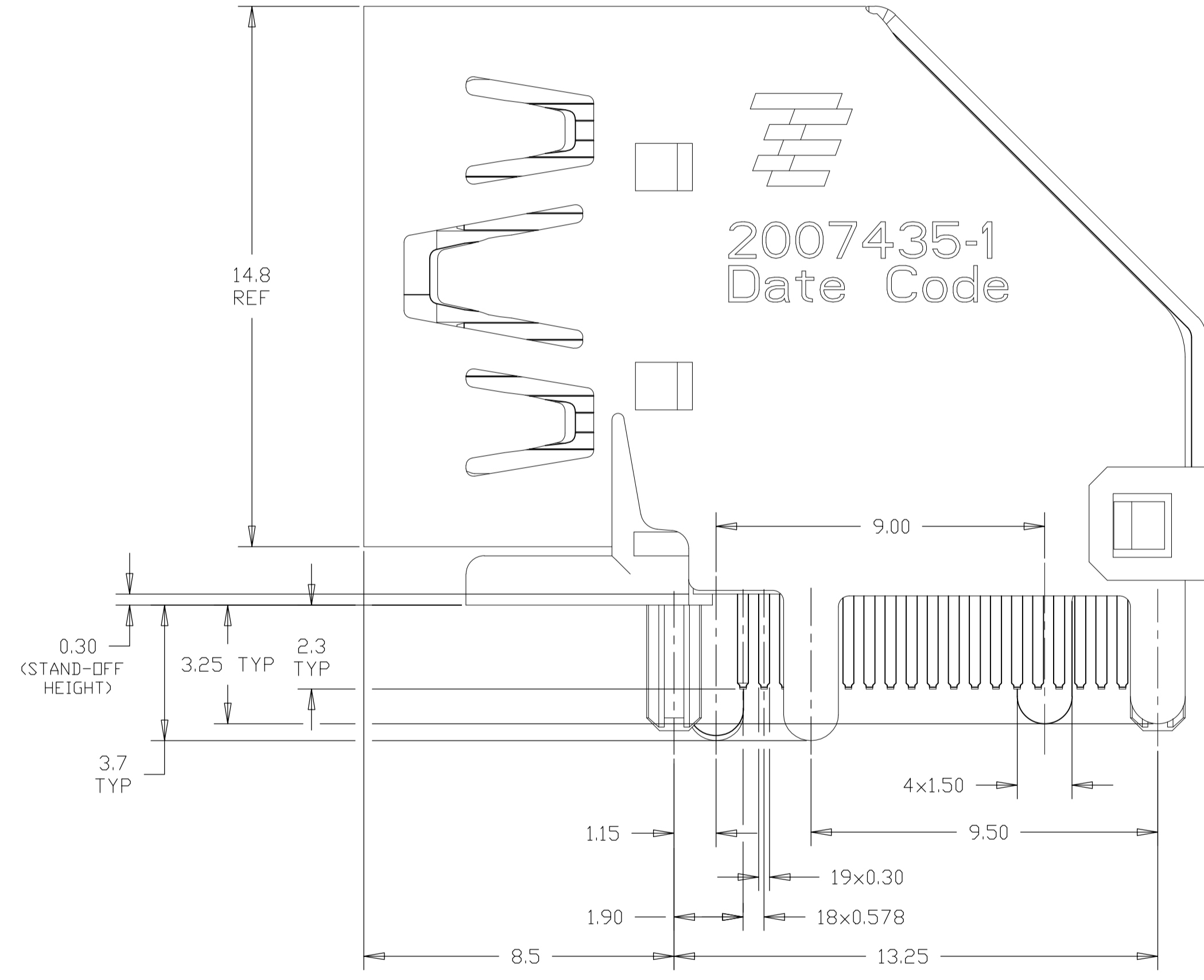
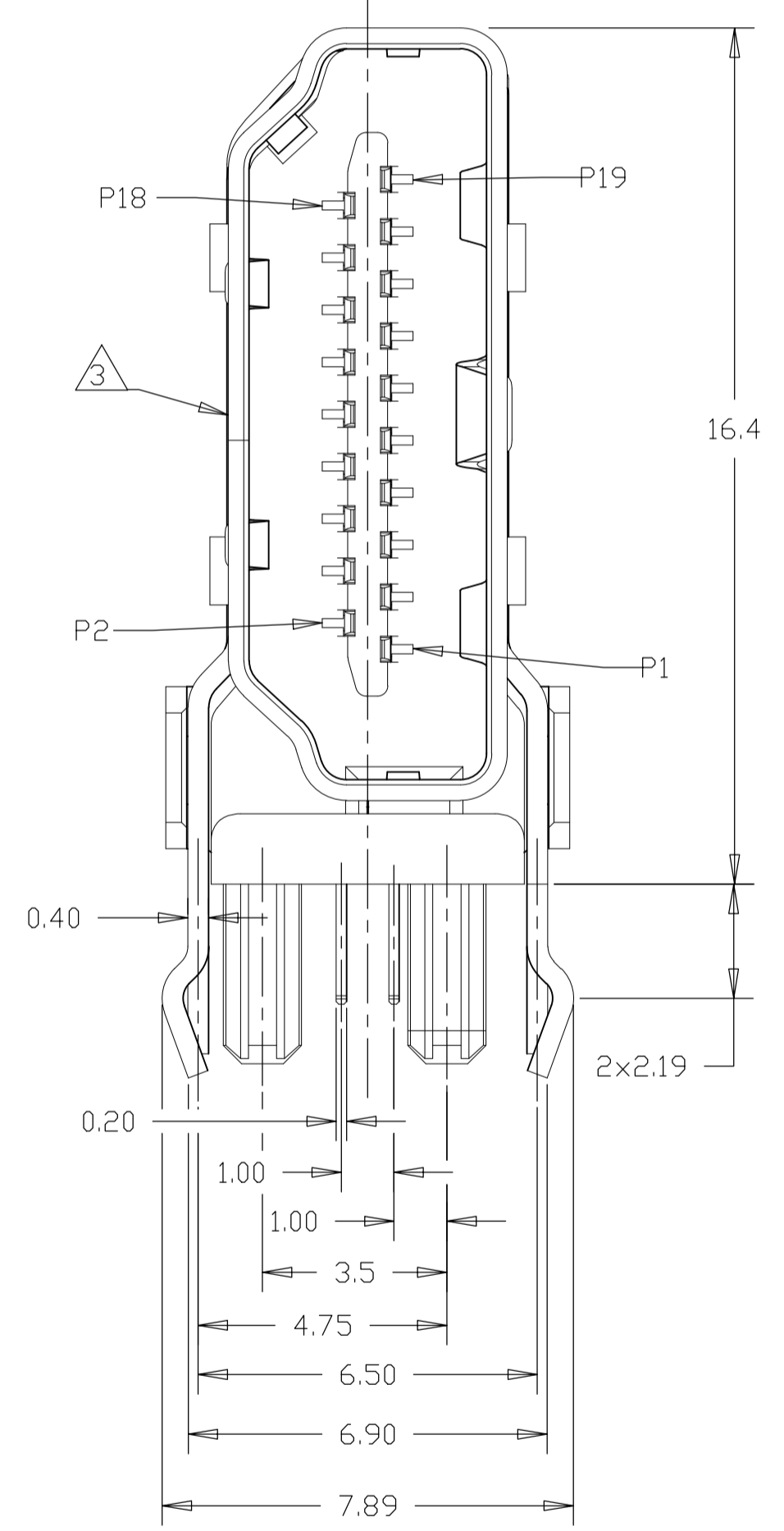


| REVISONS | | DATE | DMN | APVD |
|----------|----------------------------|-----------|-----|------|
| C | RELEASE PER ECR-10-024107 | 8/31/2010 | FL | SY |
| C1 | RELEASE PER ECR-11-016951 | 7/20/2011 | JJ | SY |
| D2 | RELEASED PER ECR-16-011711 | 4/10/2017 | AX | H.W |



- 1 MATERIALS:
 HOUSING: HIGH TEMP THERMOPLASTIC, UL94V-0, BLACK, PBT.
 CONTACTS: COPPER ALLOY.
 SHIELD: STAINLESS STEEL.
- 2 FINISH:
 CONTACTS:
 MATING AREA: CONFORMS TO HDMI SPECIFICATION VERSION 1.3a TABLE 4-6 AND 4-7 (ELECTRICAL AND ENVIRONMENTAL PERFORMANCE), BASED ON EIA/ECA - 364-1000.01A (CONTROLLED ENVIRONMENT APPLICATIONS).
 SOLDER TAILS: TIN OVER NICKEL.
- 3 INTERFACE DIMENSIONS PER HDMI SPECIFICATION VERSION 1.3a.
- 4 WAVE SOLDER COMPATIBLE PER 109-202. CONDITION B. NO CLEAN FLUX IS RECOMMENDED.
- 5 THIS DIMENSION HAS AN ADDITIONAL 1.0 CLEARANCE OVER HDMI V1.3a SPECIFICATION MAXIMUM CABLE TYPE A PLUG HEIGHT.
- 6 REMOVE CAP IS RECOMMENDED AFTER WAVE SOLDER.
- 7 MATERIALS:
 HOUSING: HIGH TEMP THERMOPLASTIC, UL94V-0, BLACK, LCP.
 CONTACTS: COPPER ALLOY.
 SHIELD: STAINLESS STEEL.
- 8 STAND-OFF AREA.

2007435-1(-4)
 SCALE 6:1



| EMBOSS TAPE | WITHOUT POLYIMIDE TAPE | WITHOUT KINK AND WITH CAP | 0.38 μm | △ | 2.00 | 2007435-7 |
|-------------|------------------------|------------------------------|----------|---------------|----------|-----------|
| EMBOSS TAPE | WITH POLYIMIDE TAPE | WITHOUT KINK AND WITHOUT CAP | 0.38 μm | △ | 2.00 | 2007435-6 |
| TRAY | WITHOUT POLYIMIDE TAPE | WITH KINK AND WITH CAP | 0.38 μm | △ | 1.60 | 2007435-5 |
| | | WITH KINK AND WITHOUT CAP | 0.76 μm | △ | 1.60 | 2007435-4 |
| | | WITHOUT KINK AND WITH CAP | 0.38 μm | △ | 1.60 | 2007435-3 |
| | | WITHOUT KINK AND WITHOUT CAP | 0.38 μm | △ | 2.40 | 2007435-2 |
| PACKAGE | | WITH KINK AND WITHOUT CAP | 0.38 μm | △ | 1.60 | 2007435-1 |
| PACKAGE | REMARK | GOLD PLATING ON CONTACT AREA | MATERIAL | PCB THICKNESS | PART NO. | |

THIS DRAWING IS A CONTROLLED DOCUMENT.

DMN: Francis Lee 31AUG2010
 CHK: Martin Li 31AUG2010
 APVD: Steven Yao 31AUG2010

NAME: STE TE Connectivity

PRODUCT SPEC: 108-60079

APPLICATION SPEC: -

SIZE: A1

WEIGHT: -

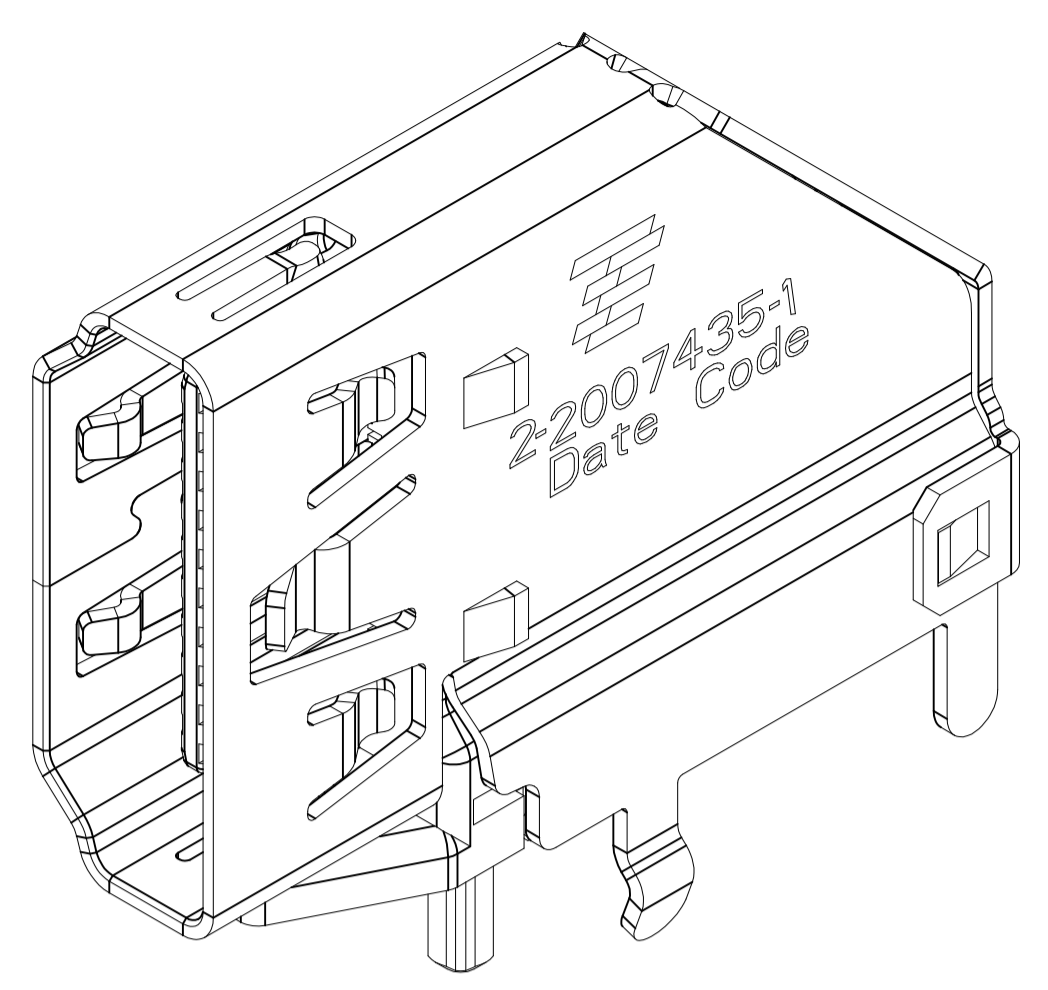
CUSTOMER DRAWING

SCALE: 8:1

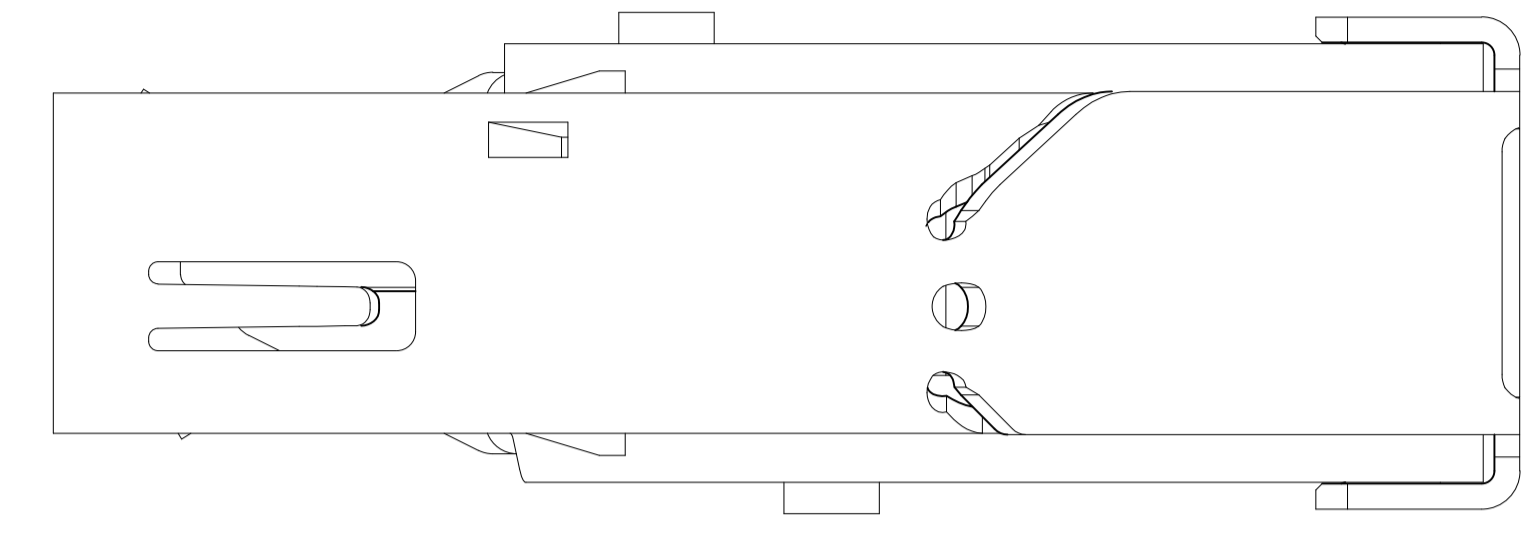
SHEET: 1 of 10

REV: D2

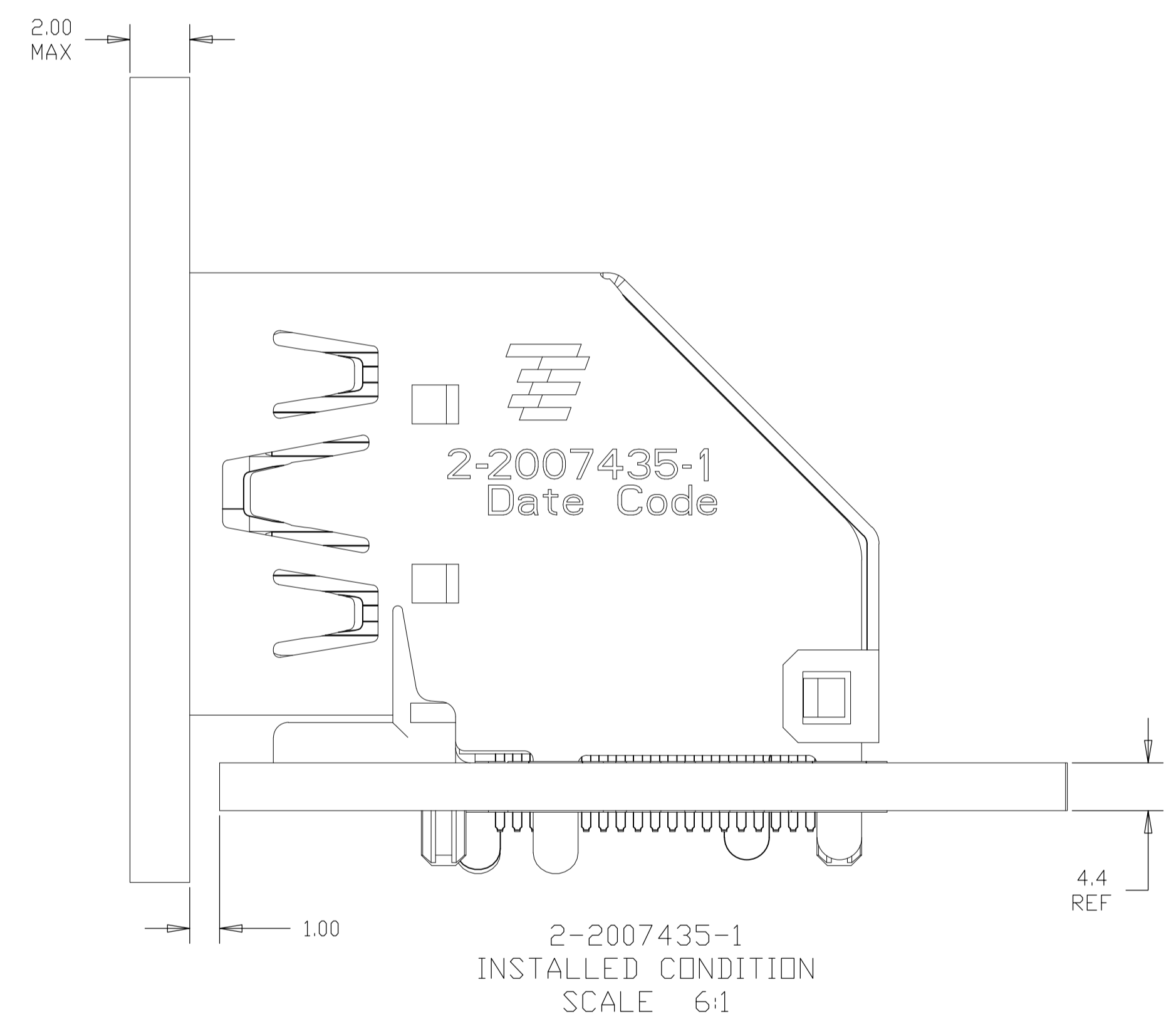
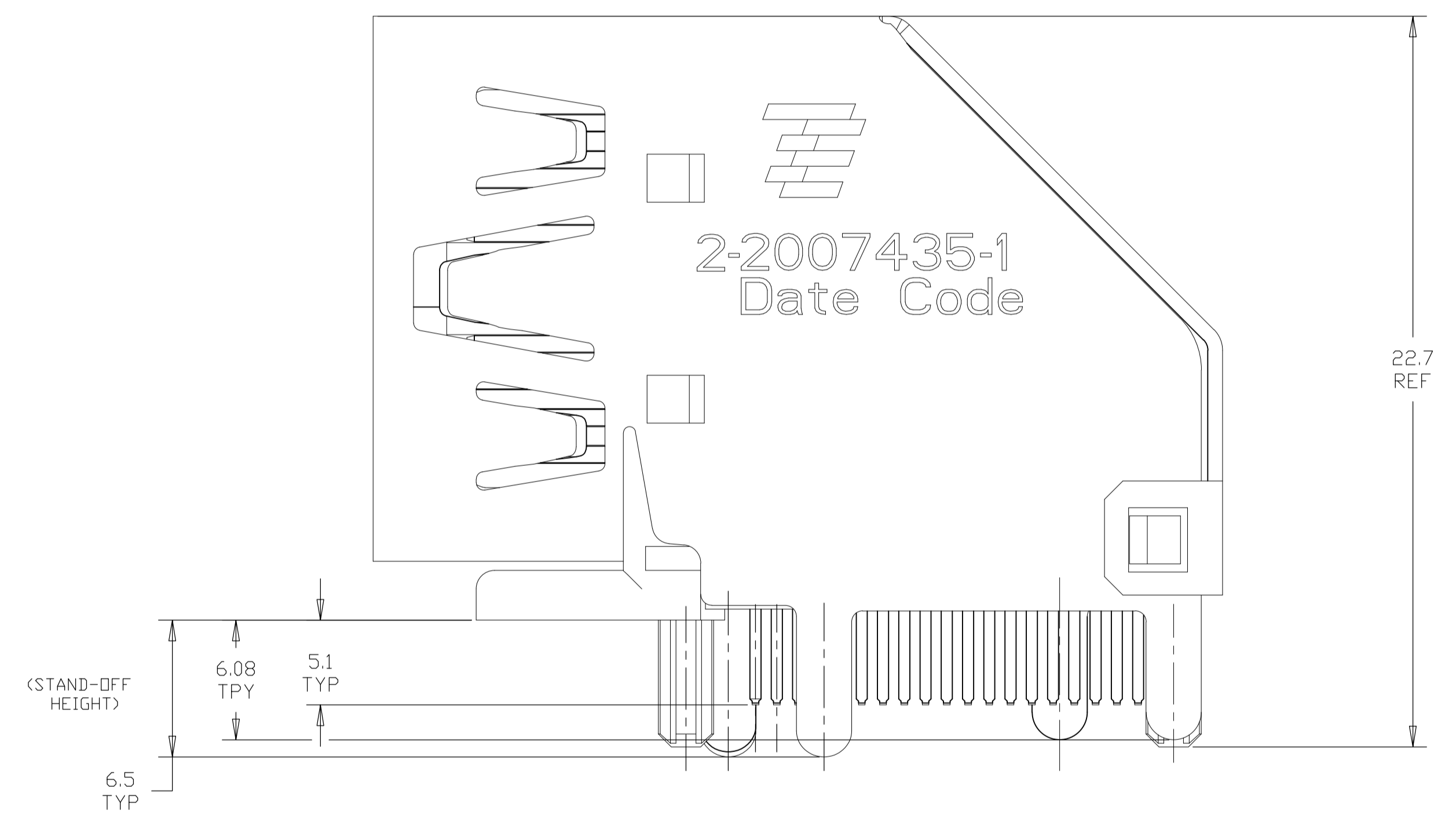
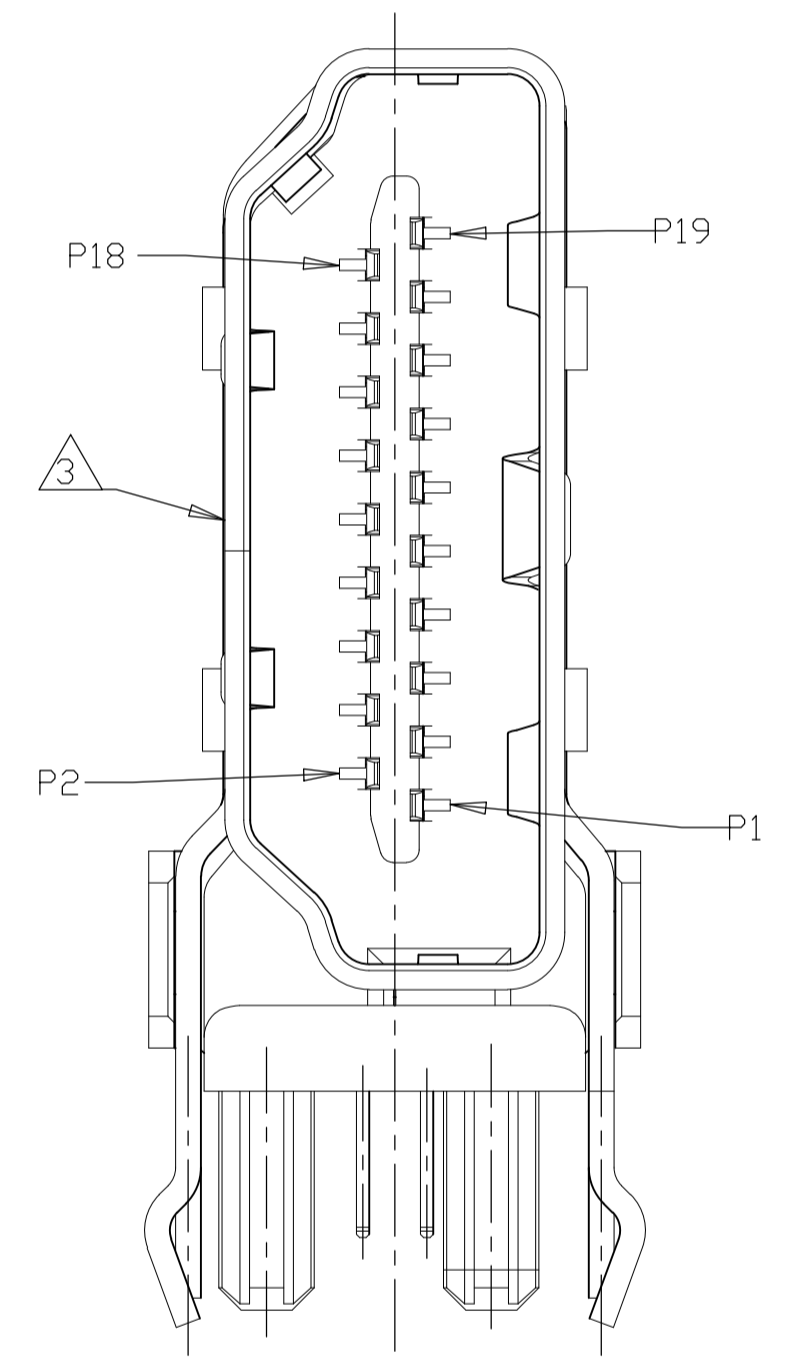
| LOC | | DIST | | REVISIONS | | | |
|-----|------|------|-----|-------------|------|-----|------|
| NO | DATE | BY | CHK | DESCRIPTION | DATE | OWN | APPD |
| - | - | - | - | SEE SHEET 1 | - | - | - |



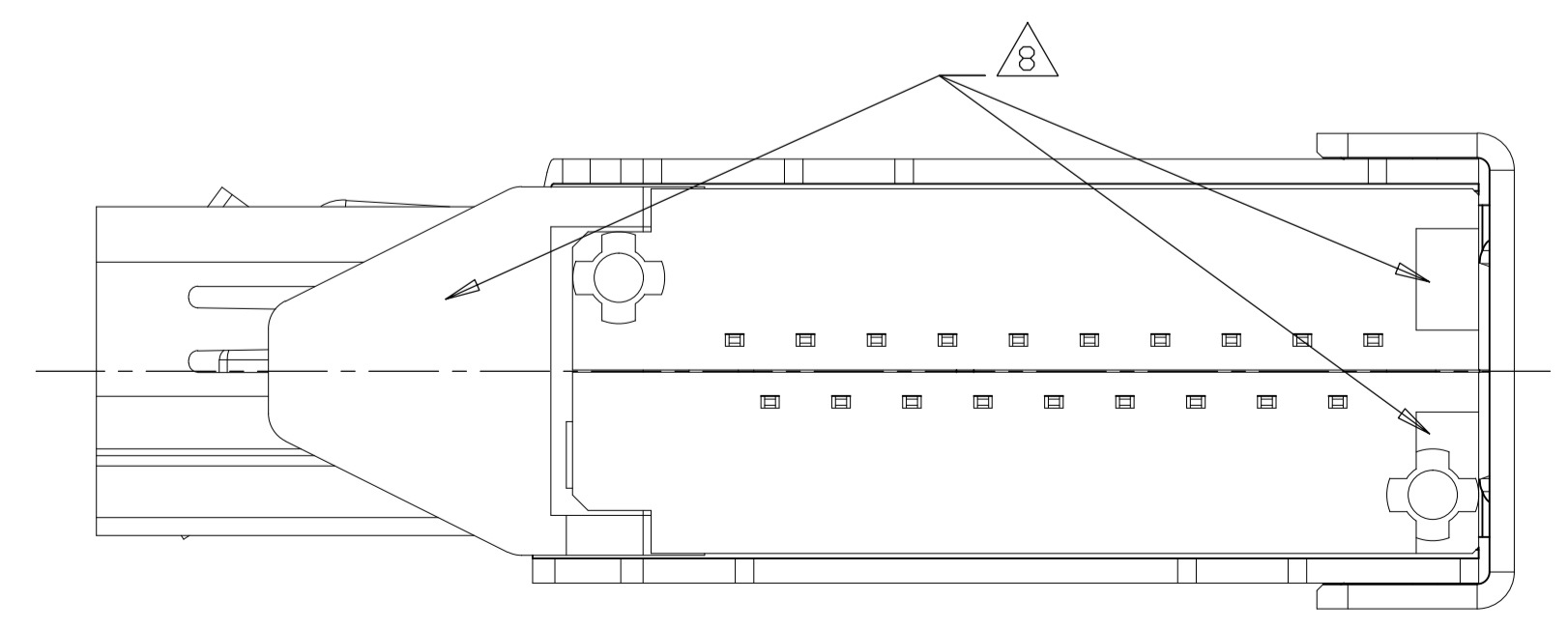
2-2007435-1 WITHOUT BOARD LOCK,
UNMARKED DIMENSIONS SAME AS 2007435-1
SCALE 6:1



- 1 MATERIALS:
HOUSING: HIGH TEMP THERMOPLASTIC, UL94V-0, BLACK, PBT.
CONTACTS: COPPER ALLOY.
SHIELD: STAINLESS STEEL.
- 2 FINISH:
CONTACTS:
MATING AREA: CONFORMS TO HDMI SPECIFICATION VERSION 1.3a
TABLE 4-6 AND 4-7 (ELECTRICAL AND ENVIRONMENTAL PERFORMANCE), BASED ON EIA/ECA - 364-1000.01A (CONTROLLED ENVIRONMENT APPLICATIONS).
SOLDER TAILS: TIN OVER NICKEL.
- 3 INTERFACE DIMENSIONS PER HDMI SPECIFICATION VERSION 1.3a.
- 4 WAVE SOLDER COMPATIBLE PER 109-202, CONDITION B. NO CLEAN FLUX IS RECOMMENDED.
- 5 THIS DIMENSION HAS AN ADDITIONAL 1.0 CLEARANCE OVER HDMI V1.3a SPECIFICATION MAXIMUM CABLE TYPE A PLUG HEIGHT.
- 6 REMOVE CAP IS RECOMMENDED AFTER WAVE SOLDER.
- 7 MATERIALS:
HOUSING: HIGH TEMP THERMOPLASTIC, UL94V-0, BLACK, LCP.
CONTACTS: COPPER ALLOY.
SHIELD: STAINLESS STEEL.
- 8 STAND-OFF AREA.

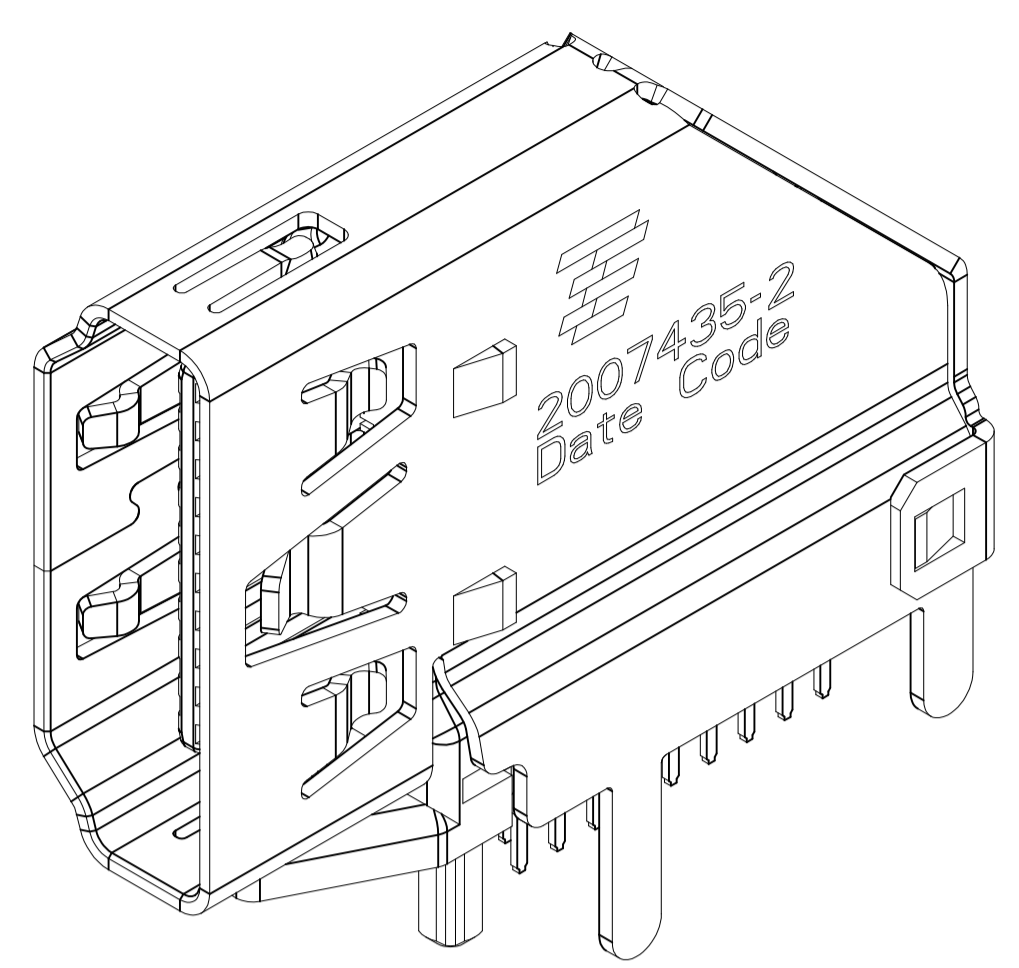


DESIGN APPROVED THIS PRINT IS
PRELIMINARY
TO FIRST PIECE APPROVAL
CONTACT PRODUCT ENGINEERING
BEFORE USING THIS PRINT

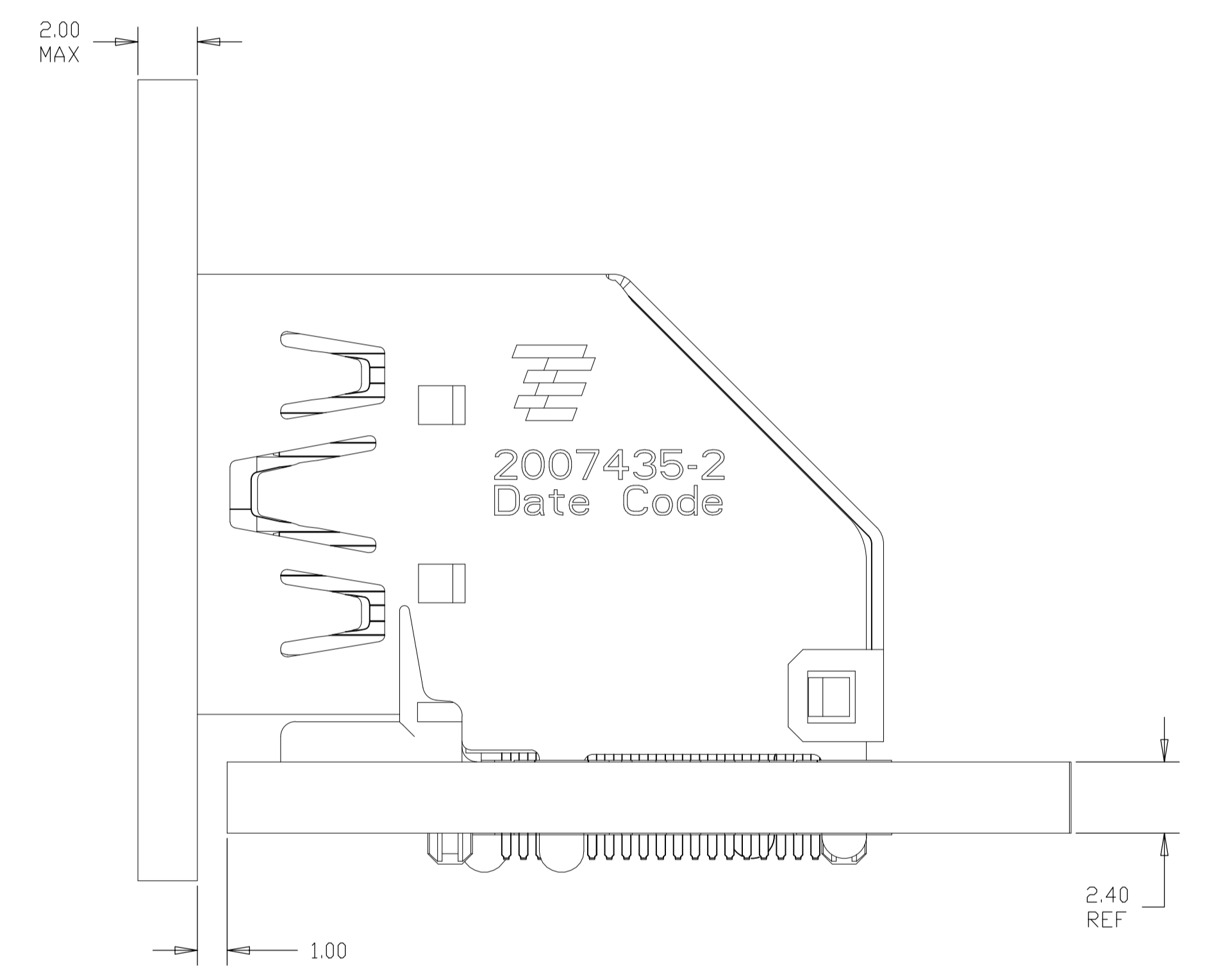
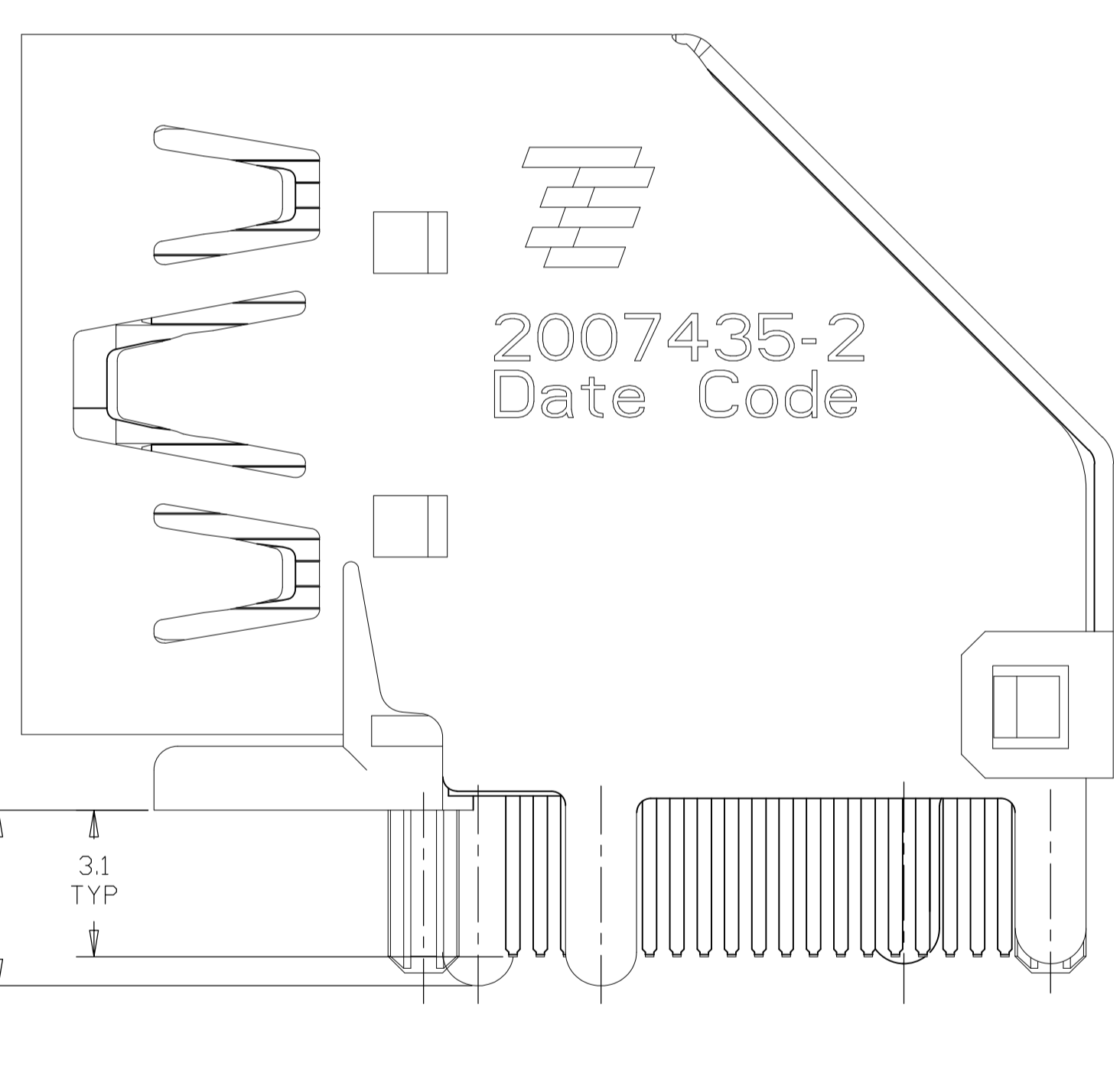
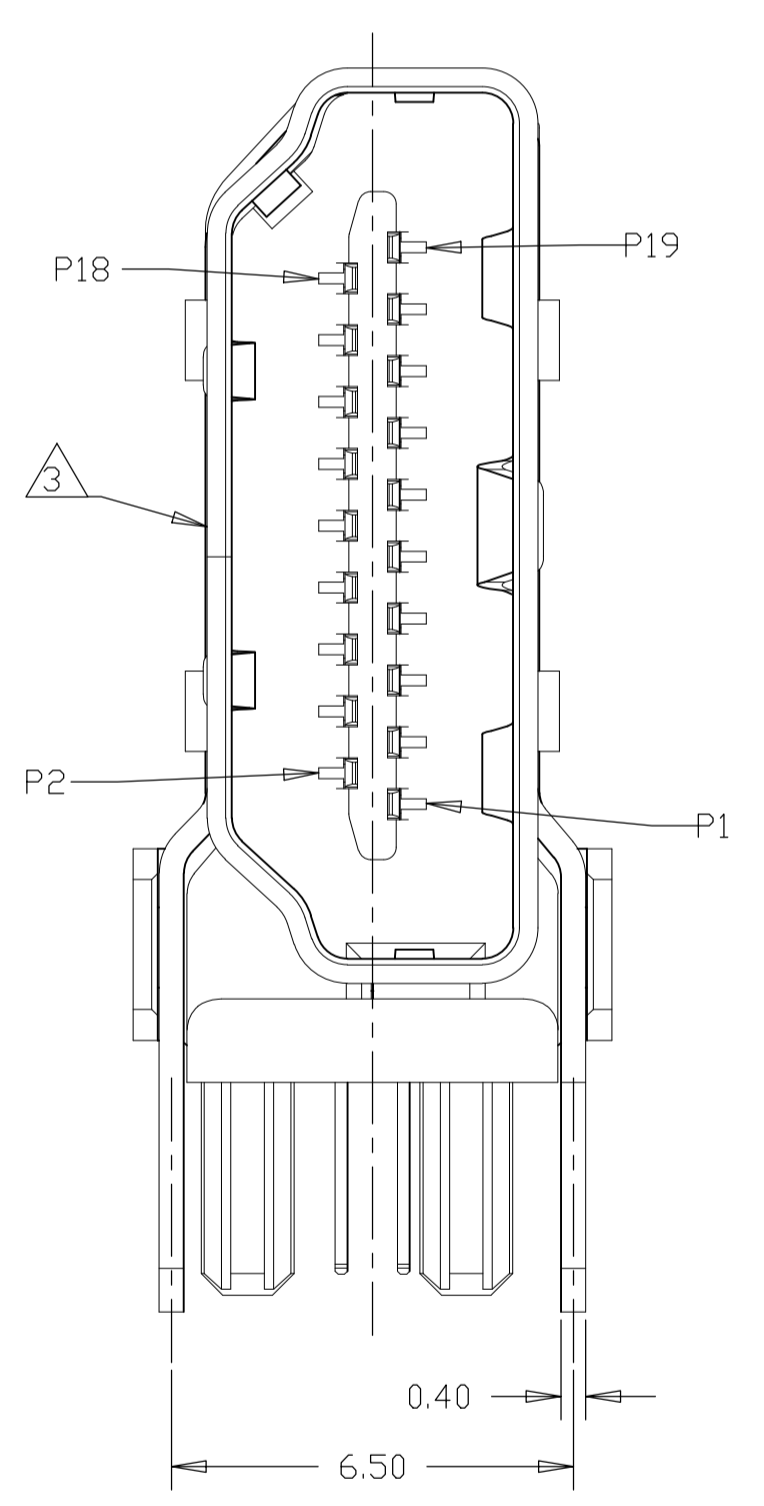
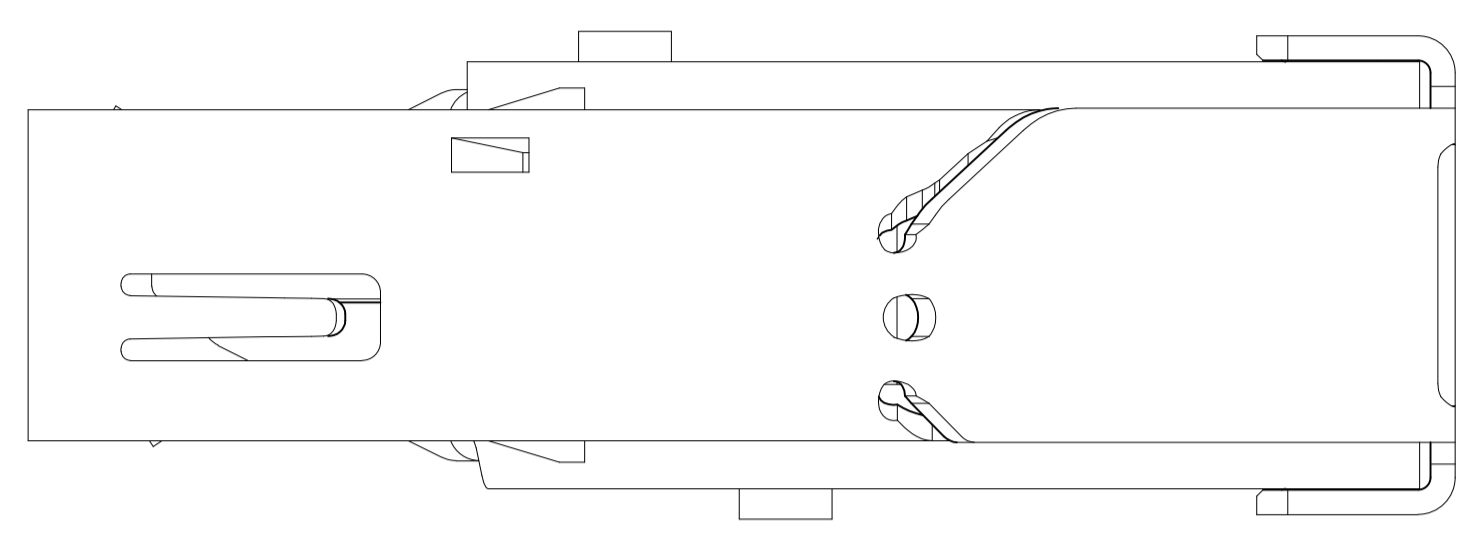


| | | | | | |
|--|------------------------|---------------------------|--------------------------------|------------------------------|---------------|
| TRAY | WITHOUT POLYIMIDE TAPE | WITH KINK AND WITHOUT CAP | 0.38 μ m | 4.40 | 2-2007435-1 |
| PACKAGE | REMARK | | GOLD PLATING ON CONTACT AREA | MATERIAL | PCB THICKNESS |
| THIS DRAWING IS A CONTROLLED DOCUMENT. | | | DWN Francis Lee 31AUG2010 | STE TE Connectivity | |
| DIMENSIONS: mm | | | CHK Martin Li 31AUG2010 | HDMI FLAG CONNECTOR ASSEMBLY | |
| TOLERANCES UNLESS OTHERWISE SPECIFIED: | | | APVD Steven Yao 31AUG2010 | 108-60079 | |
| 0 PLC \pm - | | | APPLICATION SPEC | | |
| 1 PLC \pm 0.3 | | | SIZE CAGE CODE DRAWING NO | | |
| 2 PLC \pm 0.25 | | | A1 00779 2007435 | | |
| 3 PLC \pm 0.100 | | | RESTRICTED TO | | |
| 4 PLC \pm 0.1000 | | | CUSTOMER DRAWING | | |
| ANGLES \pm 5 | | | SCALE 8:1 SHEET 2 OF 10 REV D2 | | |

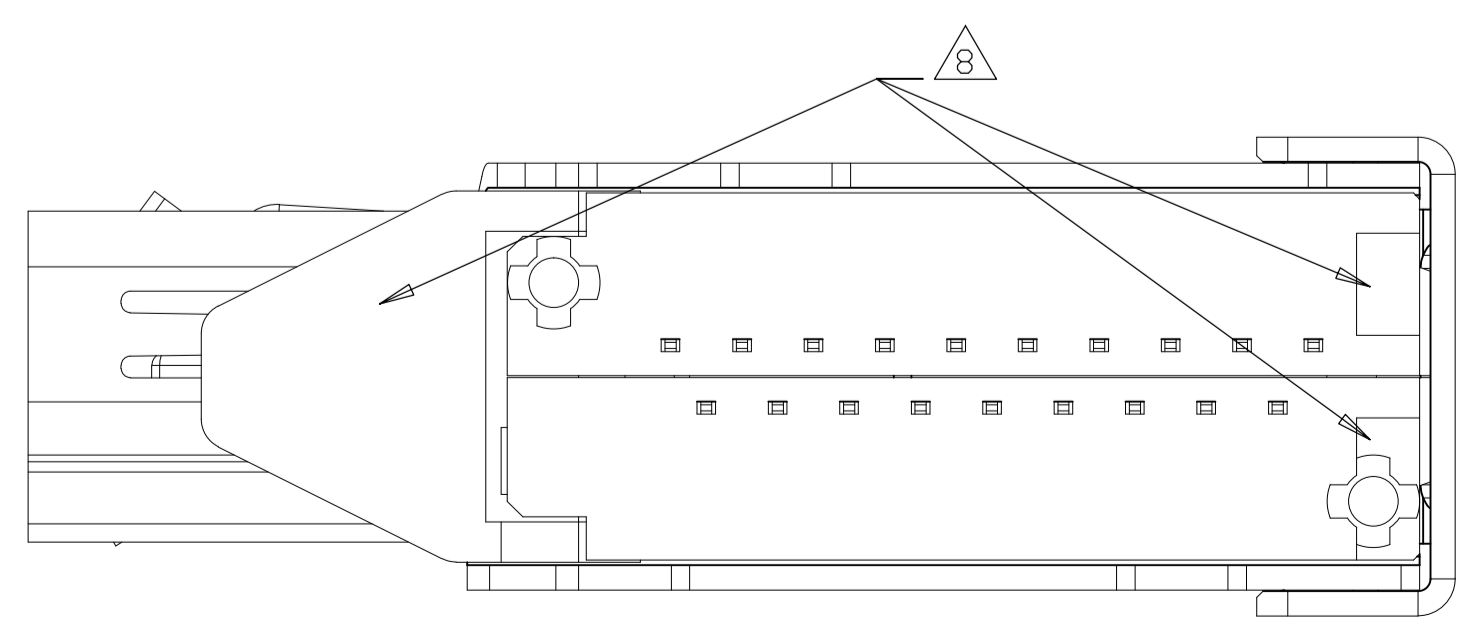
| LOC | | DIST | | REVISIONS | | | |
|-----|-----|-------------|------|-----------|------|---|---|
| P | LTR | DESCRIPTION | DATE | DN | APVD | | |
| - | - | SEE SHEET 1 | - | - | - | - | - |



2007435-2 WITHOUT BOARD LOCK,
 UNMARKED DIMENSIONS SAME AS 2007435-1
 SCALE 6:1

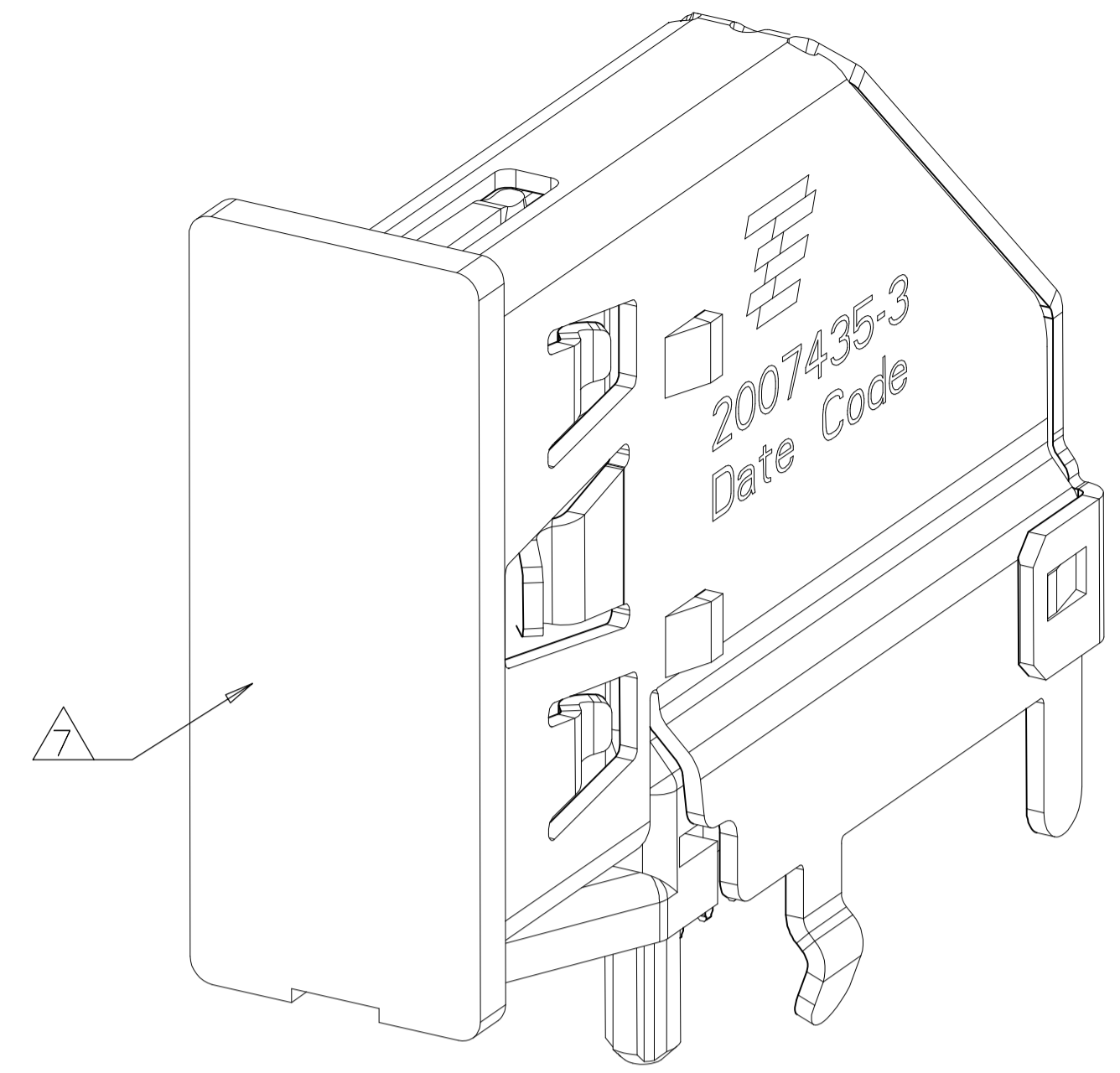


2007435-2
 INSTALLED CONDITION
 SCALE 6:1

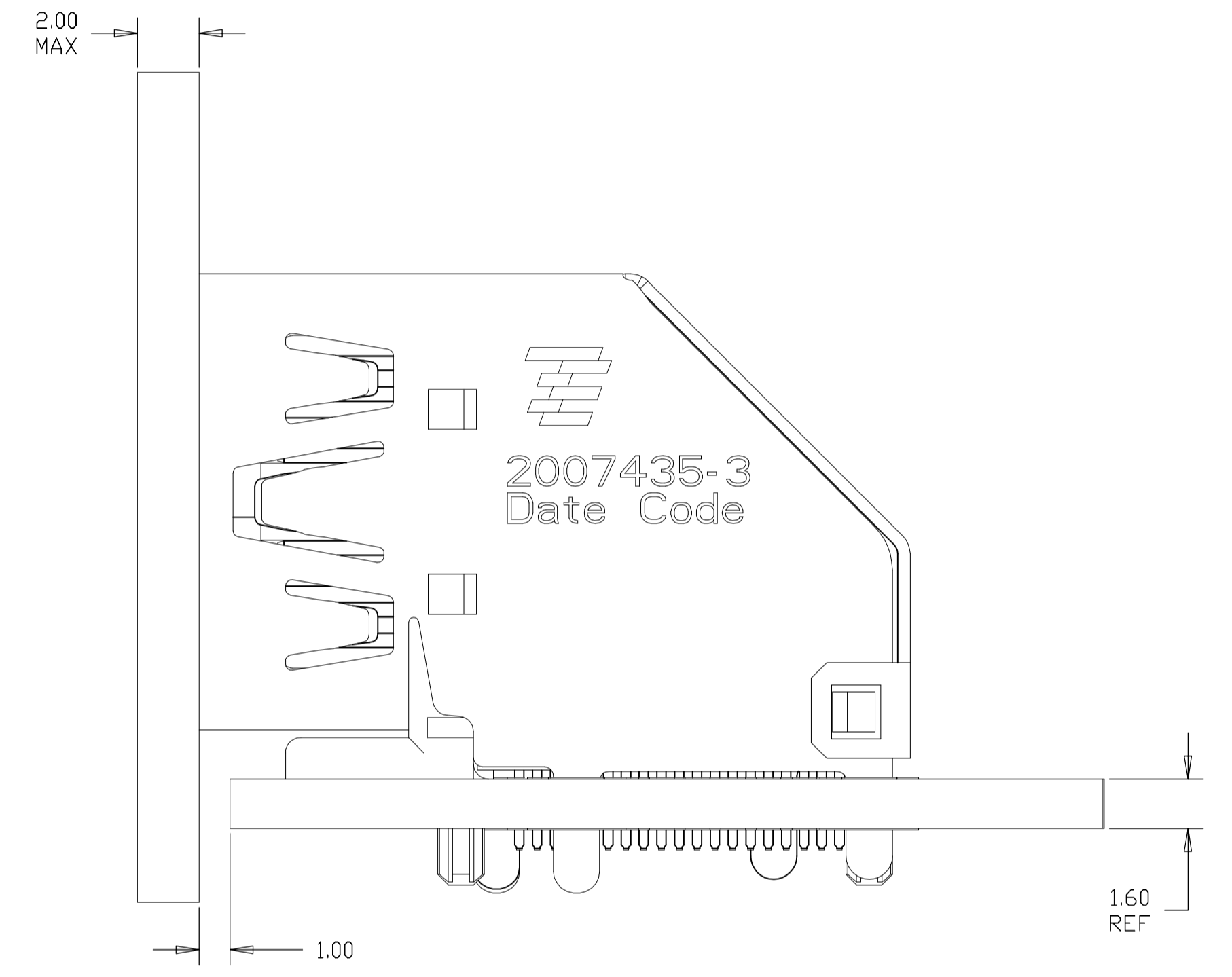
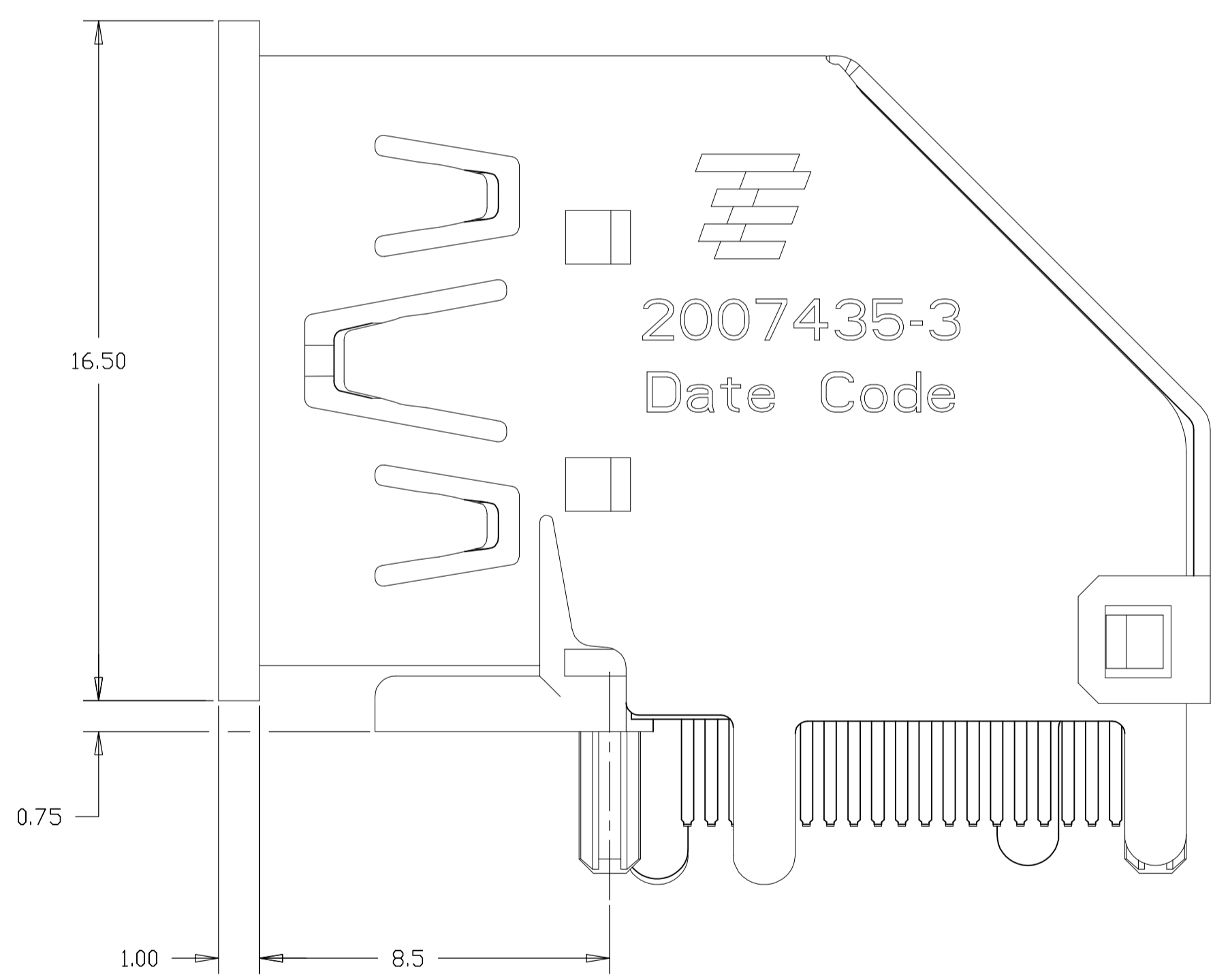
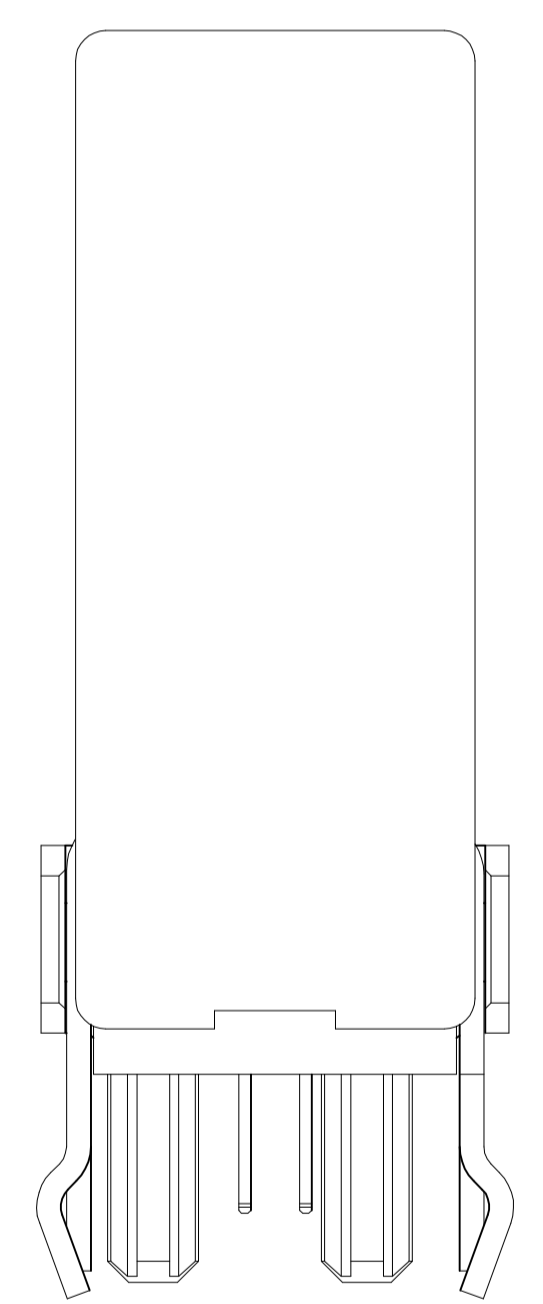
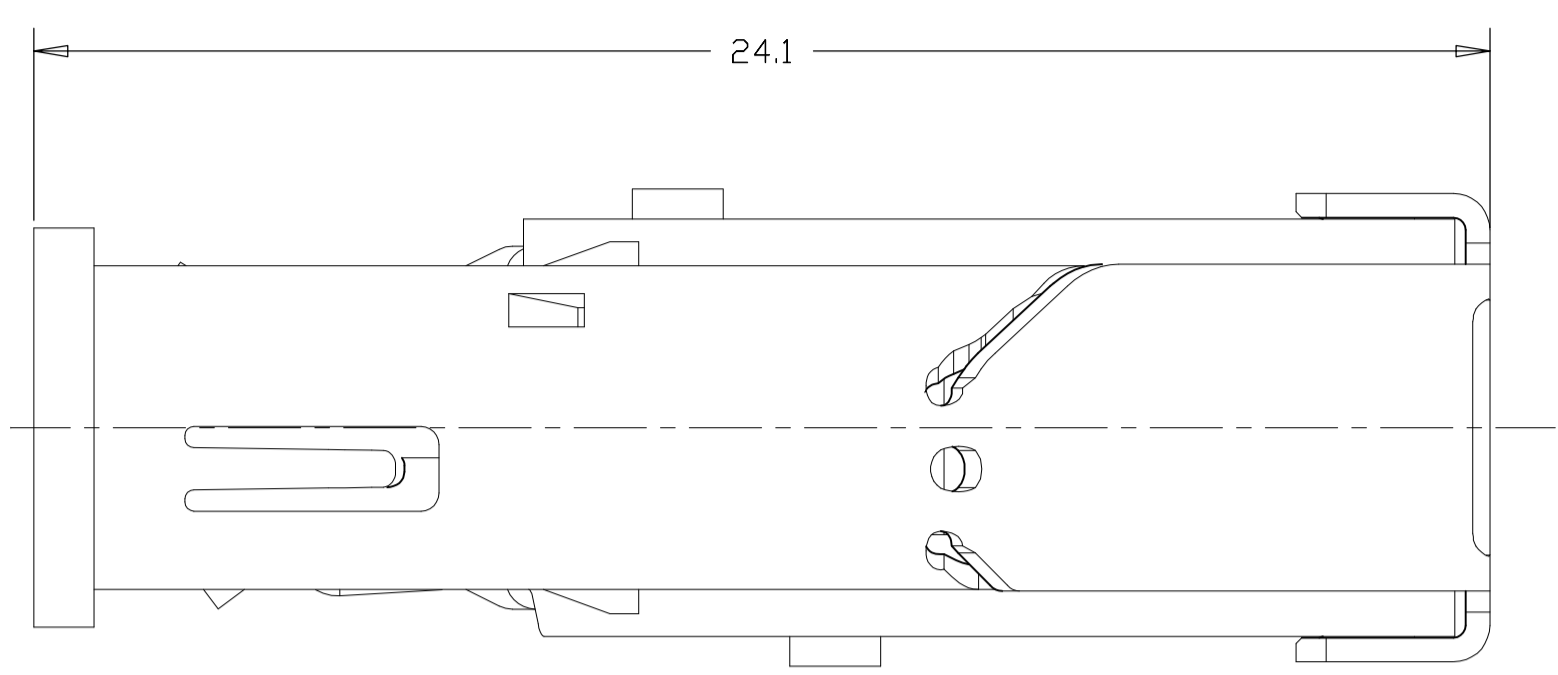


| | | | | | |
|--|--|--|--|--|--|
| THIS DRAWING IS A CONTROLLED DOCUMENT. | | DIN | | STC TE Connectivity | |
| DIMENSIONS: mm | | TOLERANCES UNLESS OTHERWISE SPECIFIED: | | NAME | |
| <ul style="list-style-type: none"> 0. PLC ± - 1. PLC ± 0.3 2. PLC ± 0.25 3. PLC ± 0.100 4. PLC ± 0.1000 ANGLES ± - | | APVD | | HDMI FLAG CONNECTOR ASSEMBLY | |
| MATERIAL SEE TABLE | | FINISH | | APPLICATION SPEC | |
| | | | | SIZE: A1 CAGE CODE: 00779 DRAWING NO: C=2007435 WEIGHT: - CUSTOMER DRAWING | |
| | | SCALE: 8:1 | | SHEET 3 OF 10 REV D2 | |

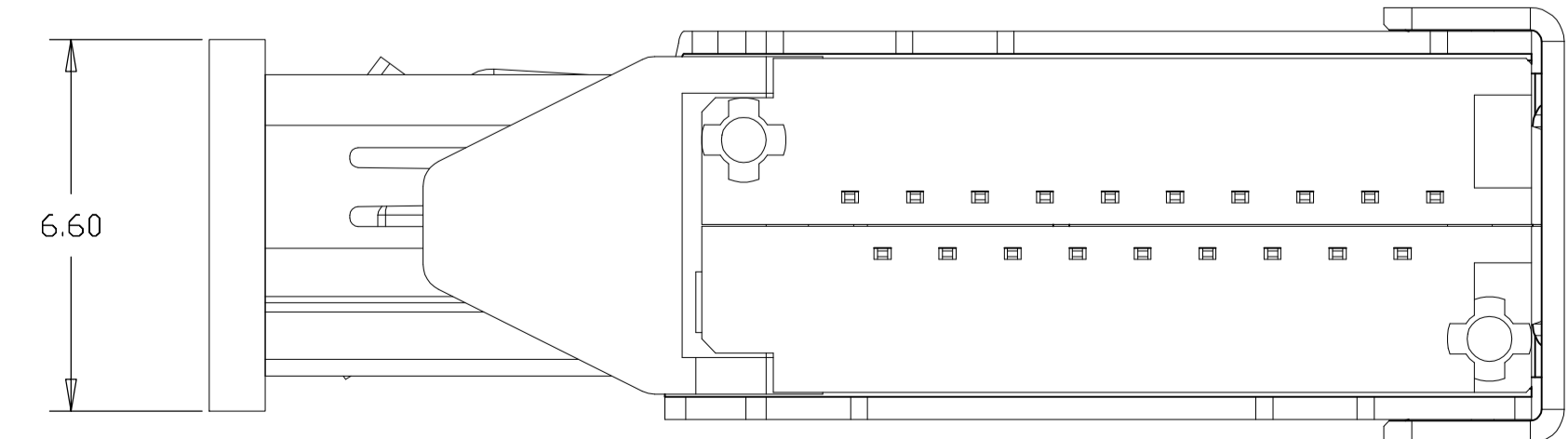
| LOC | | DIST | | REVISIONS | | | |
|-----|-----|-------------|------|-----------|------|---|---|
| P | LTR | DESCRIPTION | DATE | DN | APVD | | |
| - | - | SEE SHEET 1 | - | - | - | - | - |



2007435-3(-5) WITH CAP, UNMARKED
 DIMENSIONS SAME AS 2007435-1
 SCALE 6:1

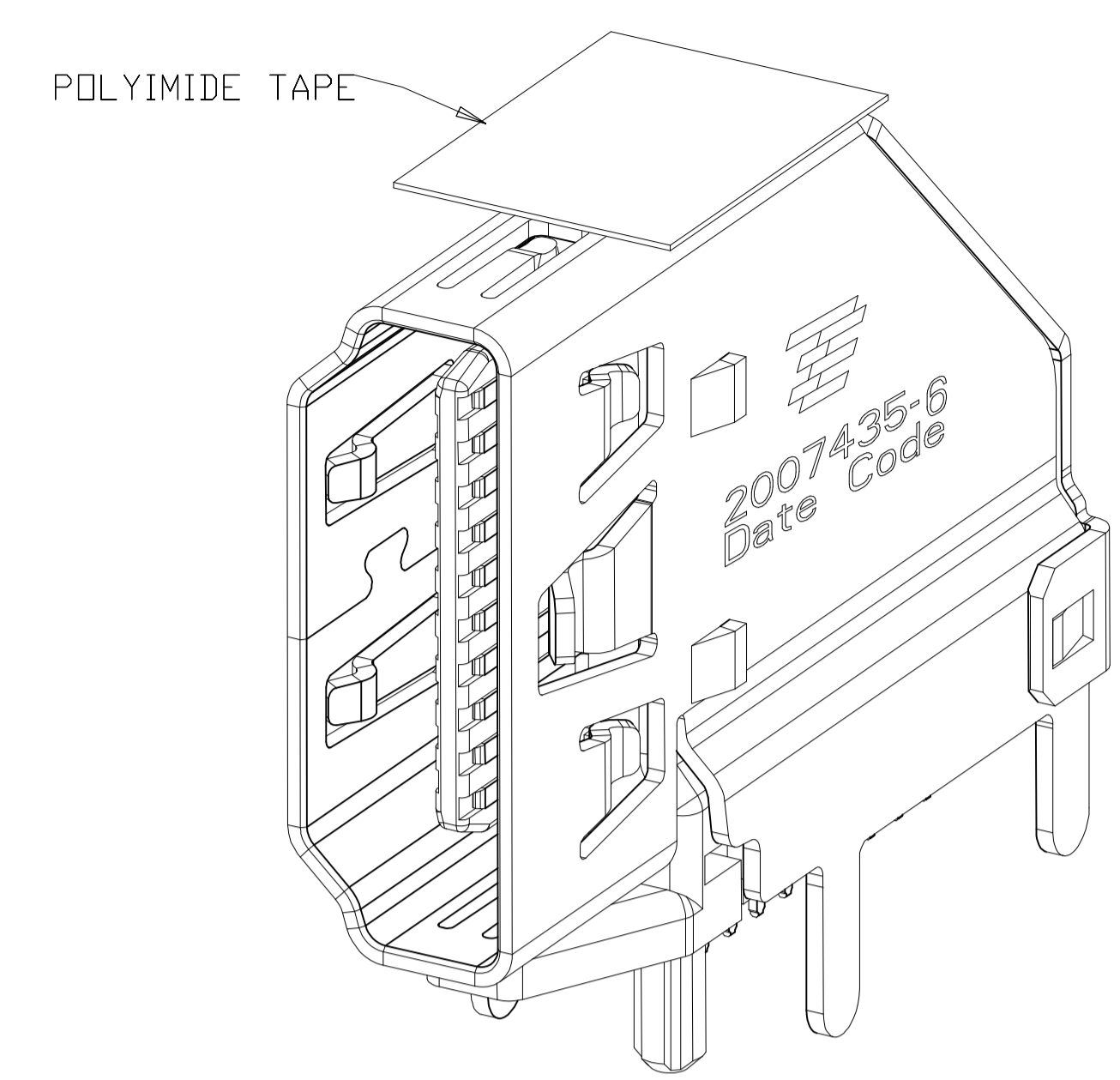
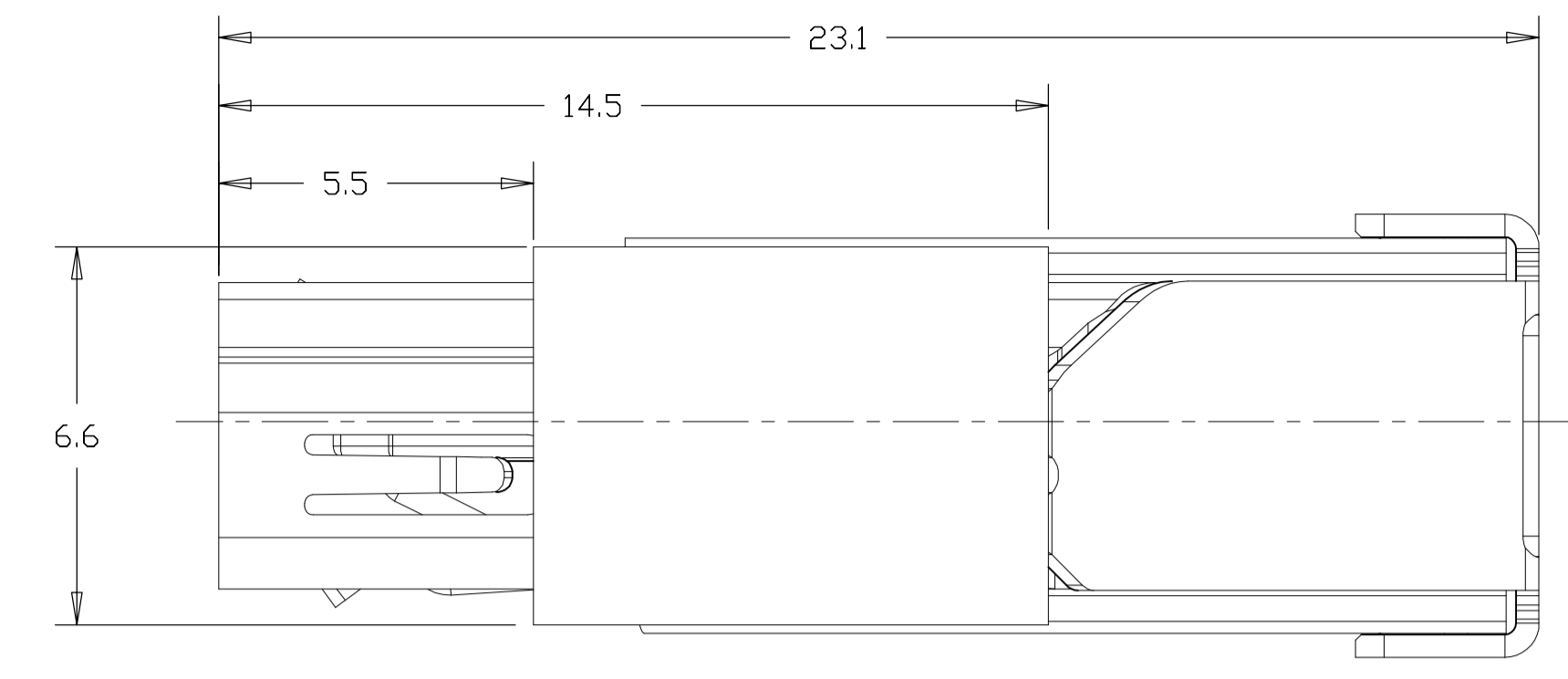


2007435-3(-5)
 INSTALLED CONDITION
 (ONLY FOR AFTER REMOVE CAP)
 SCALE 6:1

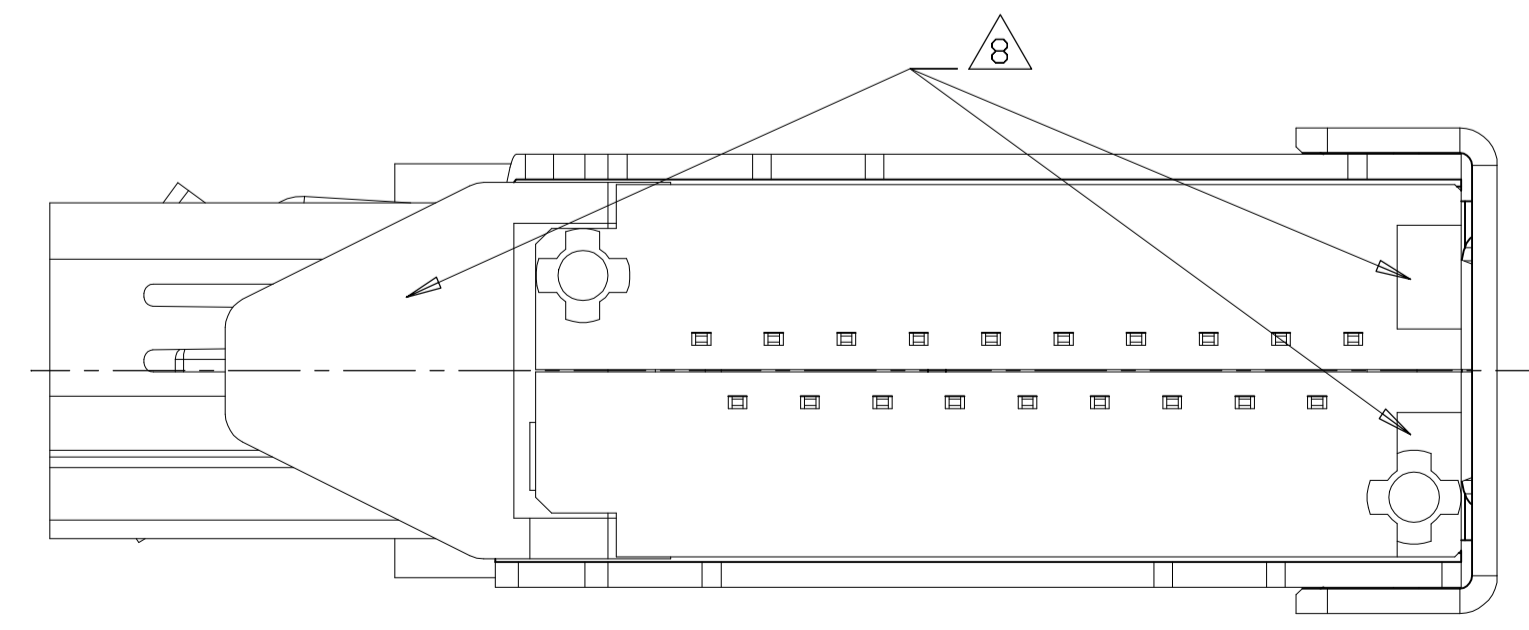
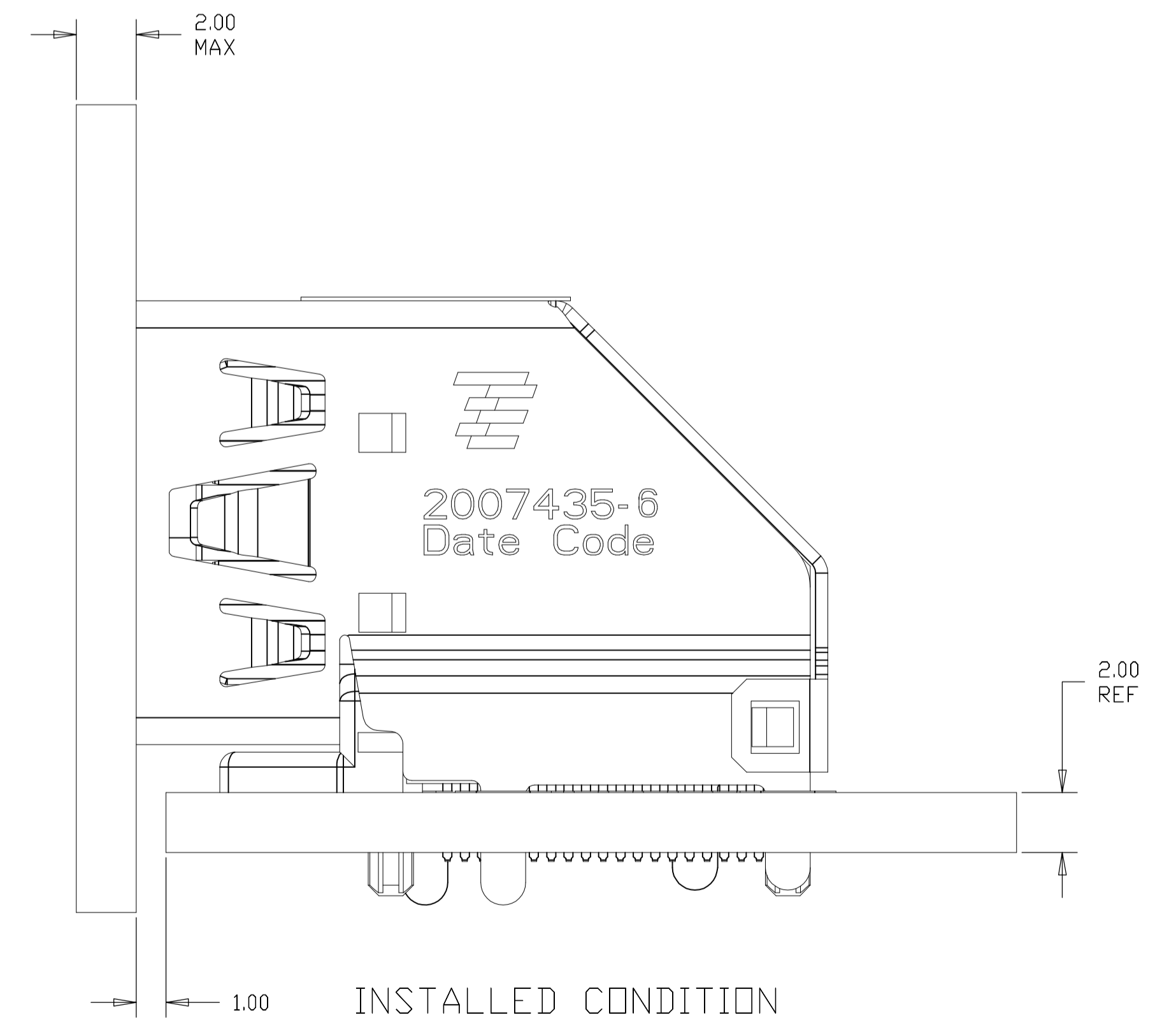
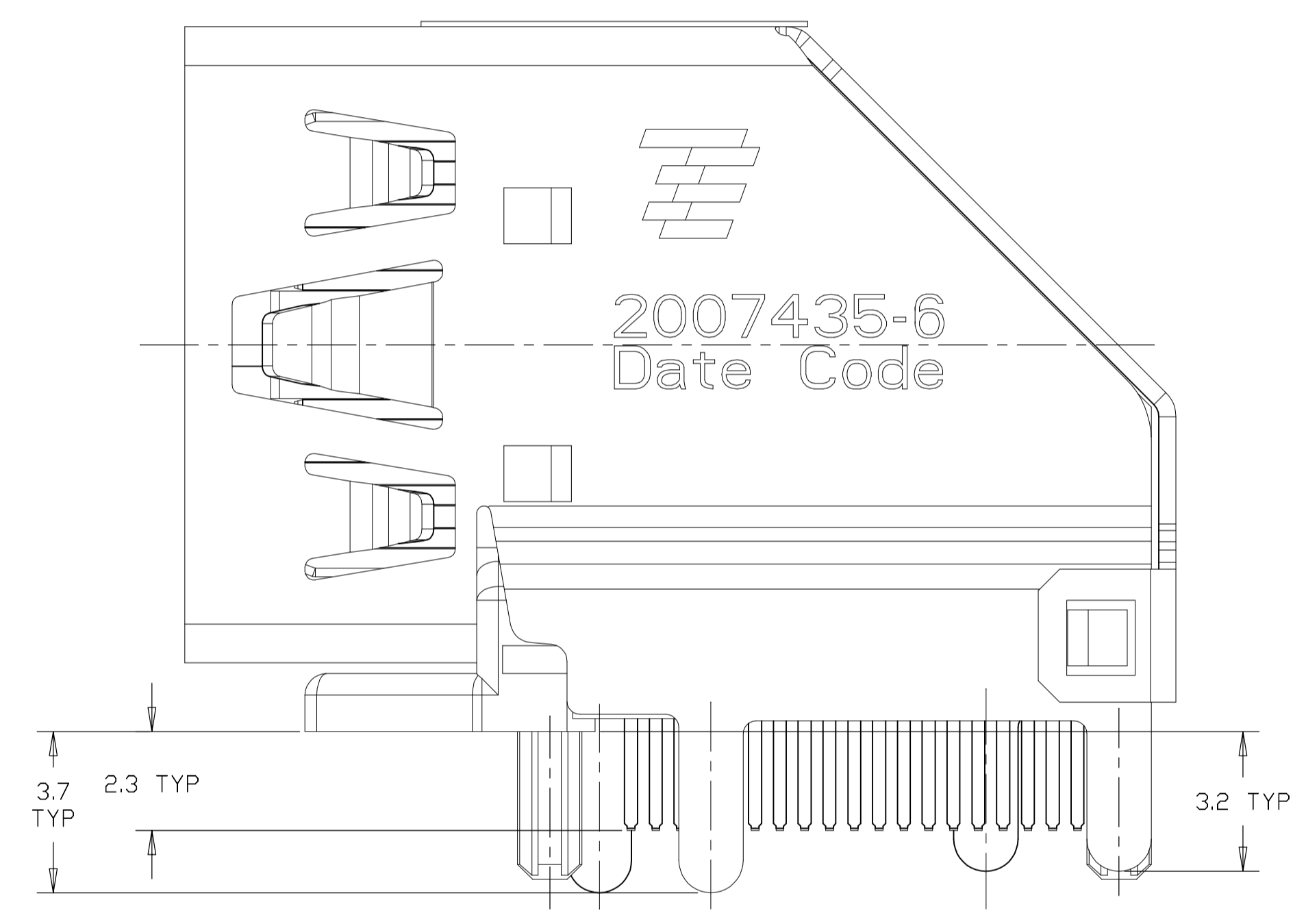
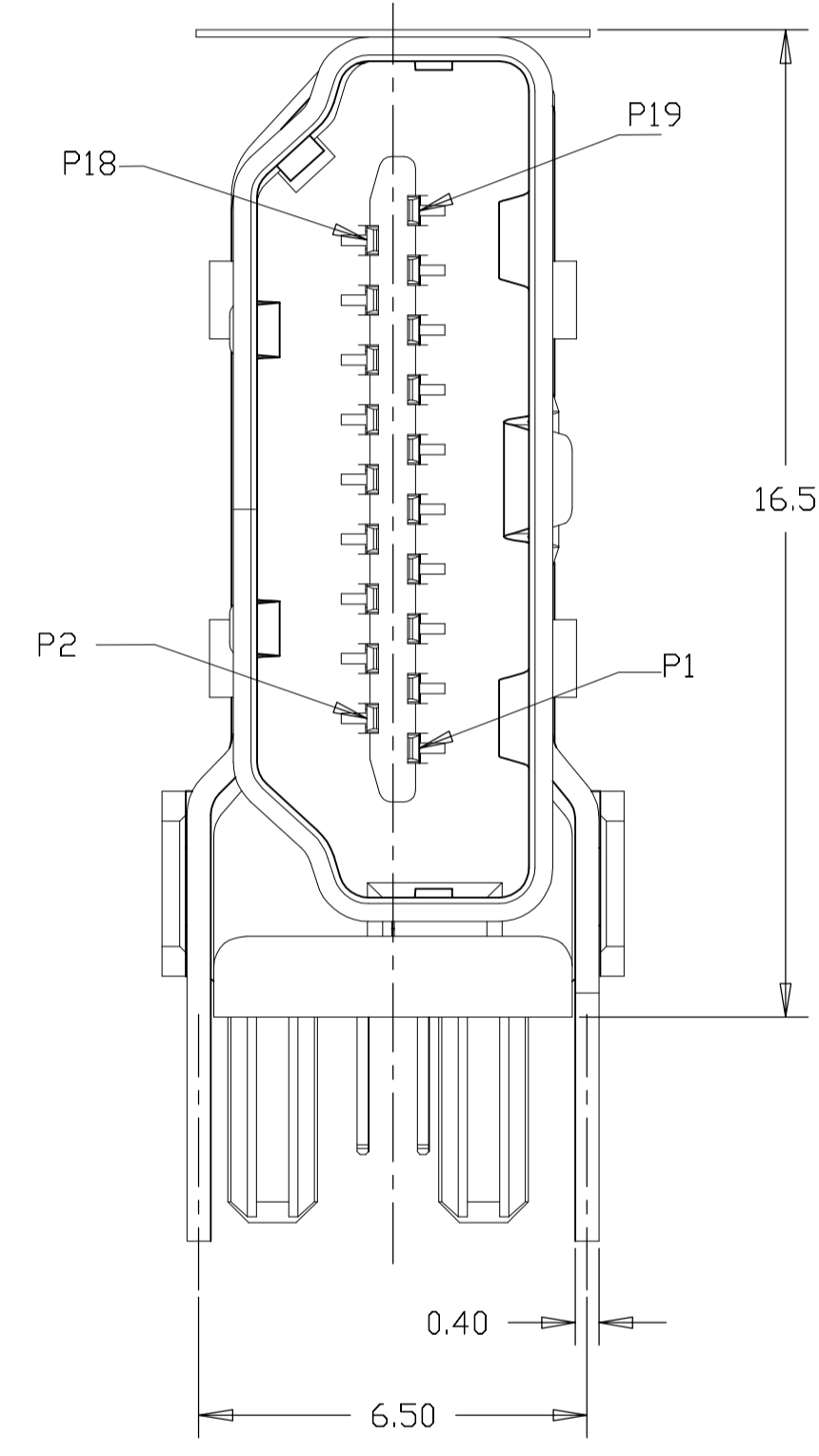


| | | | | | |
|--|--|--|--|--------------------------------|--|
| THIS DRAWING IS A CONTROLLED DOCUMENT. | | DIN | | TE Connectivity | |
| DIMENSIONS: mm | | TOLERANCES UNLESS OTHERWISE SPECIFIED: | | NAME | |
| <ul style="list-style-type: none"> 0. PLC ± 0.3 1. PLC ± 0.25 2. PLC ± 0.10 3. PLC ± 0.10 4. PLC ± 0.10 ANGLES ± - | | APVD | | HDMI FLAG CONNECTOR ASSEMBLY | |
| MATERIAL SEE TABLE | | FINISH | | PRODUCT SPEC | |
| | | | | APPLICATION SPEC | |
| | | | | SIZE CAGE CODE DRAWING NO | |
| | | | | A1 00779 C=2007435 | |
| | | | | RESTRICTED TO | |
| | | | | CUSTOMER DRAWING | |
| | | | | SCALE 8:1 SHEET 4 OF 10 REV D2 | |

| LOC | | DIST | | REVISIONS | | | |
|-----|-----|-------------|------|-----------|------|--|--|
| P | LTR | DESCRIPTION | DATE | DNW | APVD | | |
| - | - | SEE SHEET 1 | - | - | - | | |

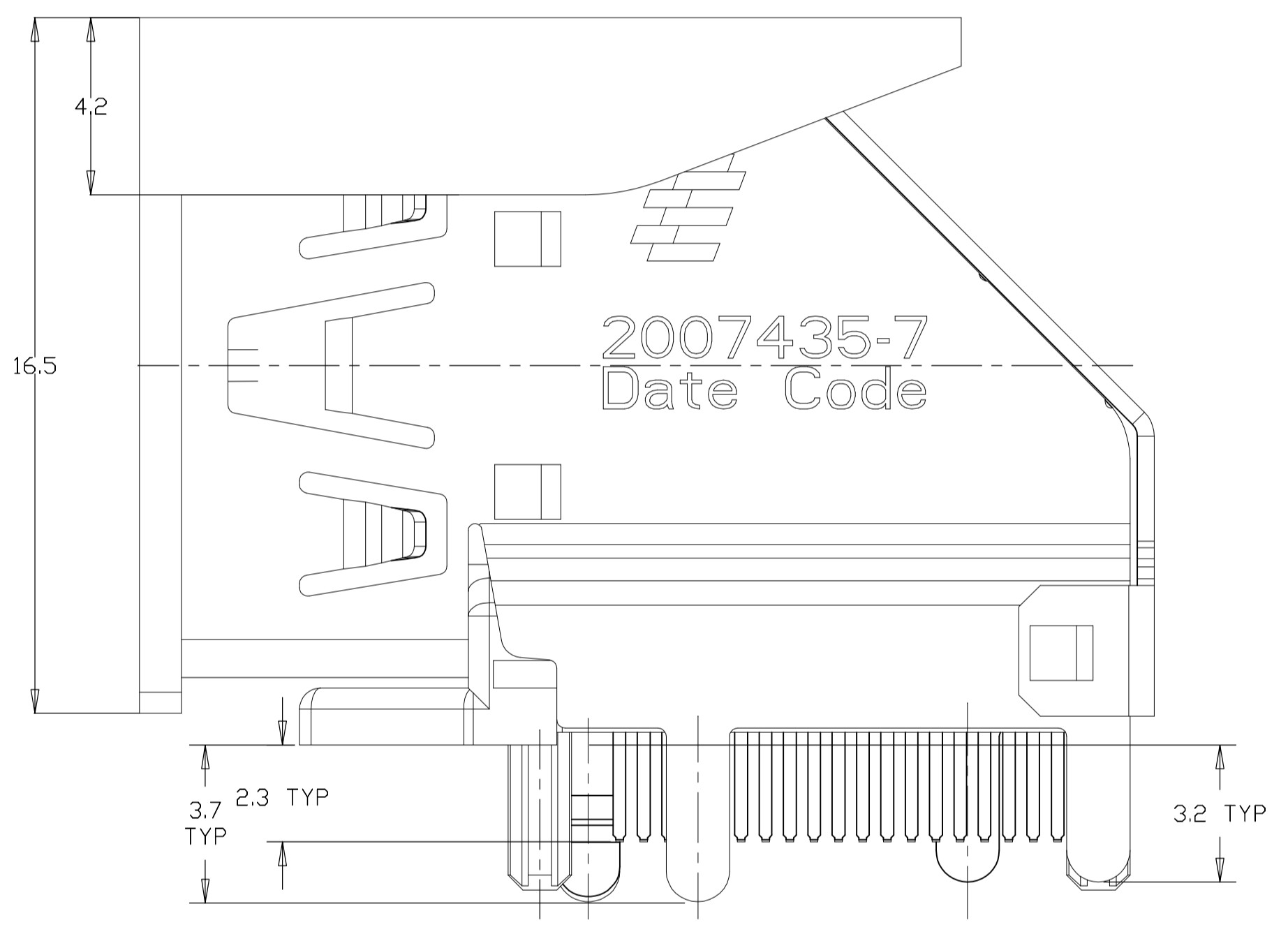
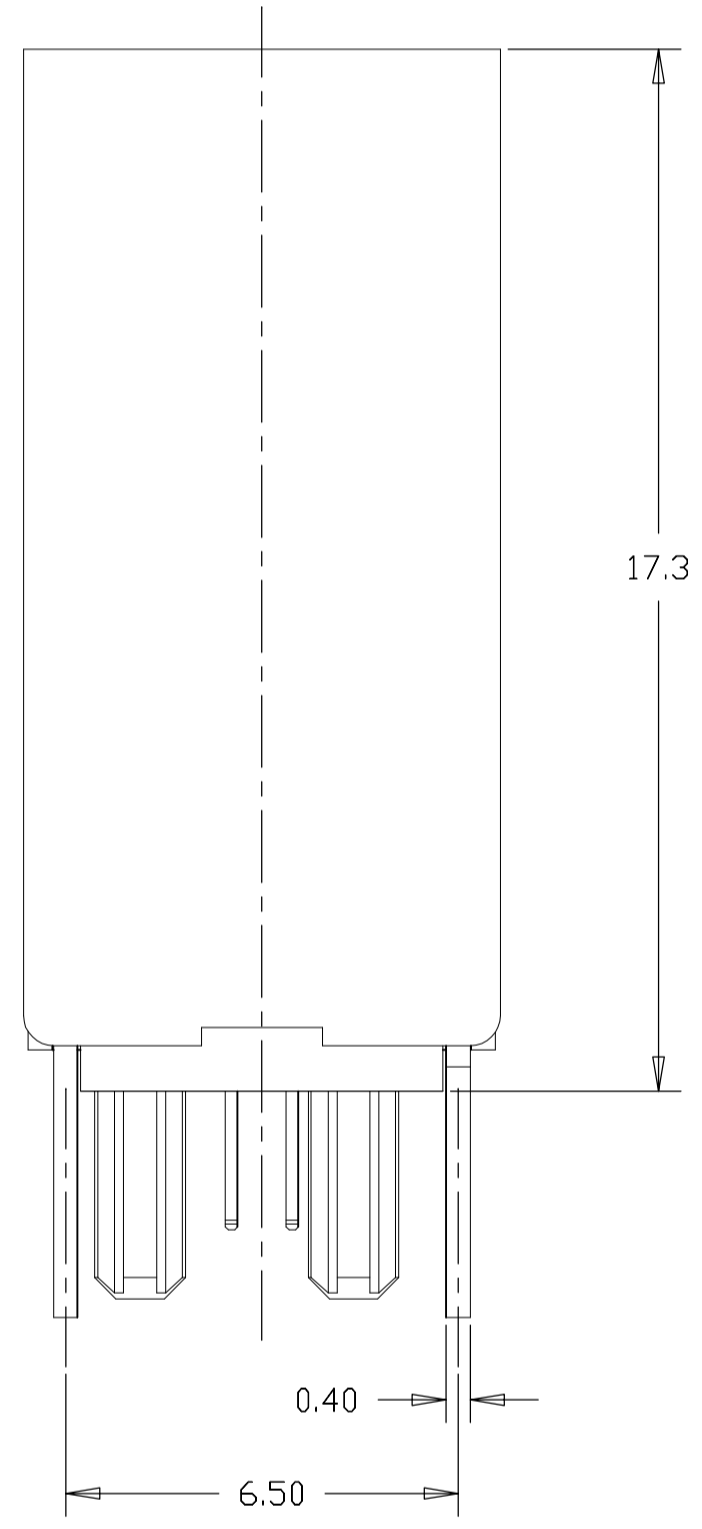
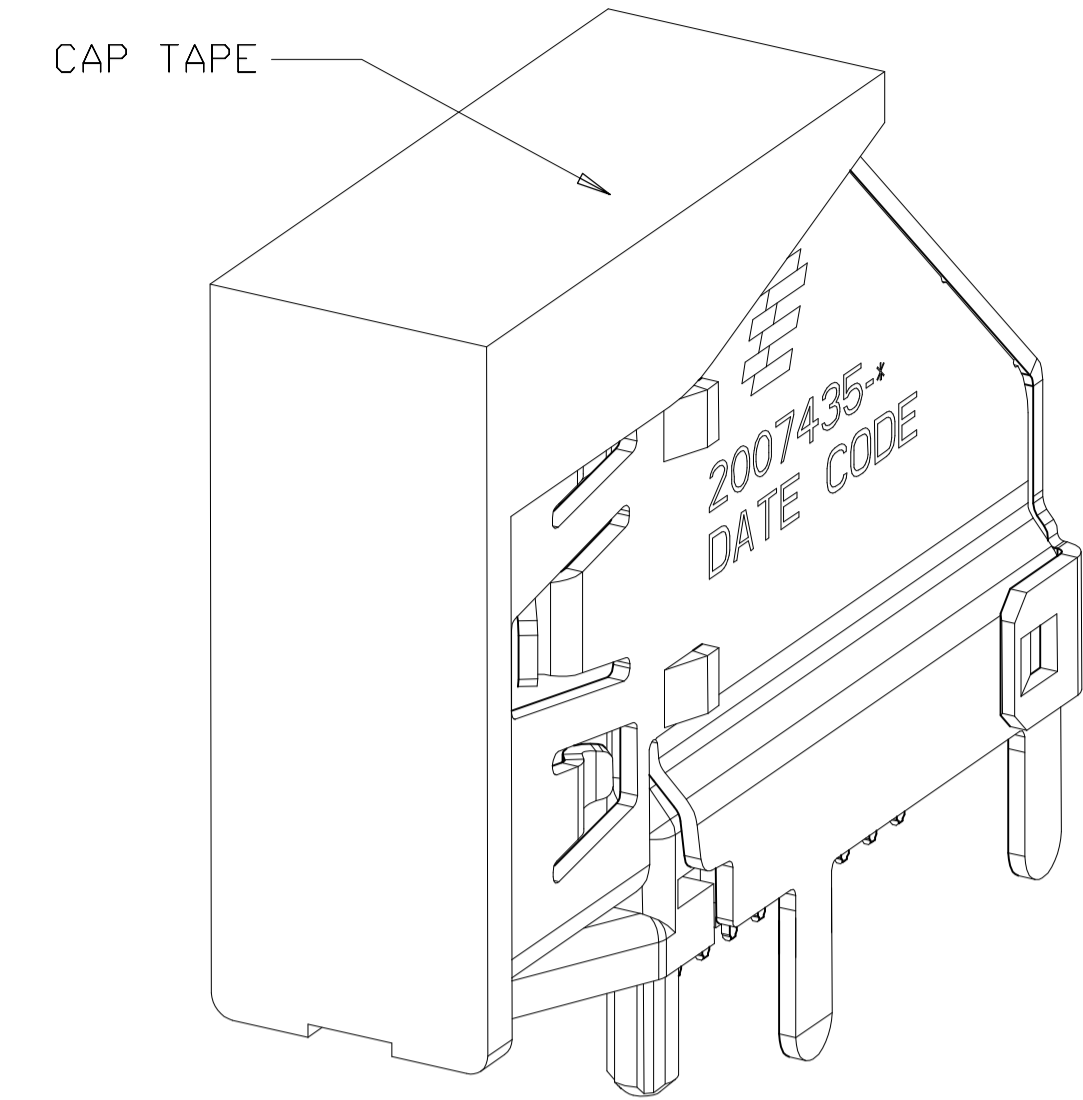
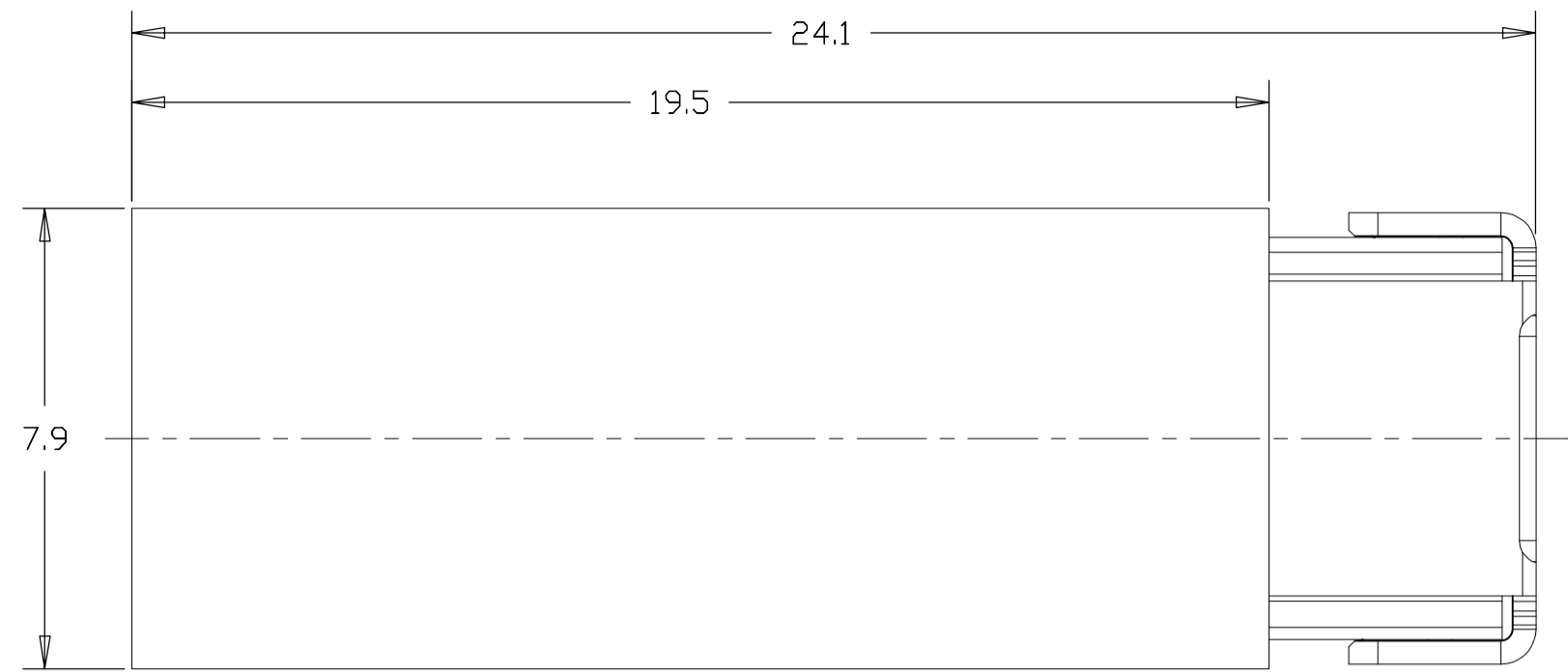


2007435-6 WITH POLYIMIDE TAPE,
UNMARKED DIMENSIONS SAME AS 2007435-1
SCALE 6:1



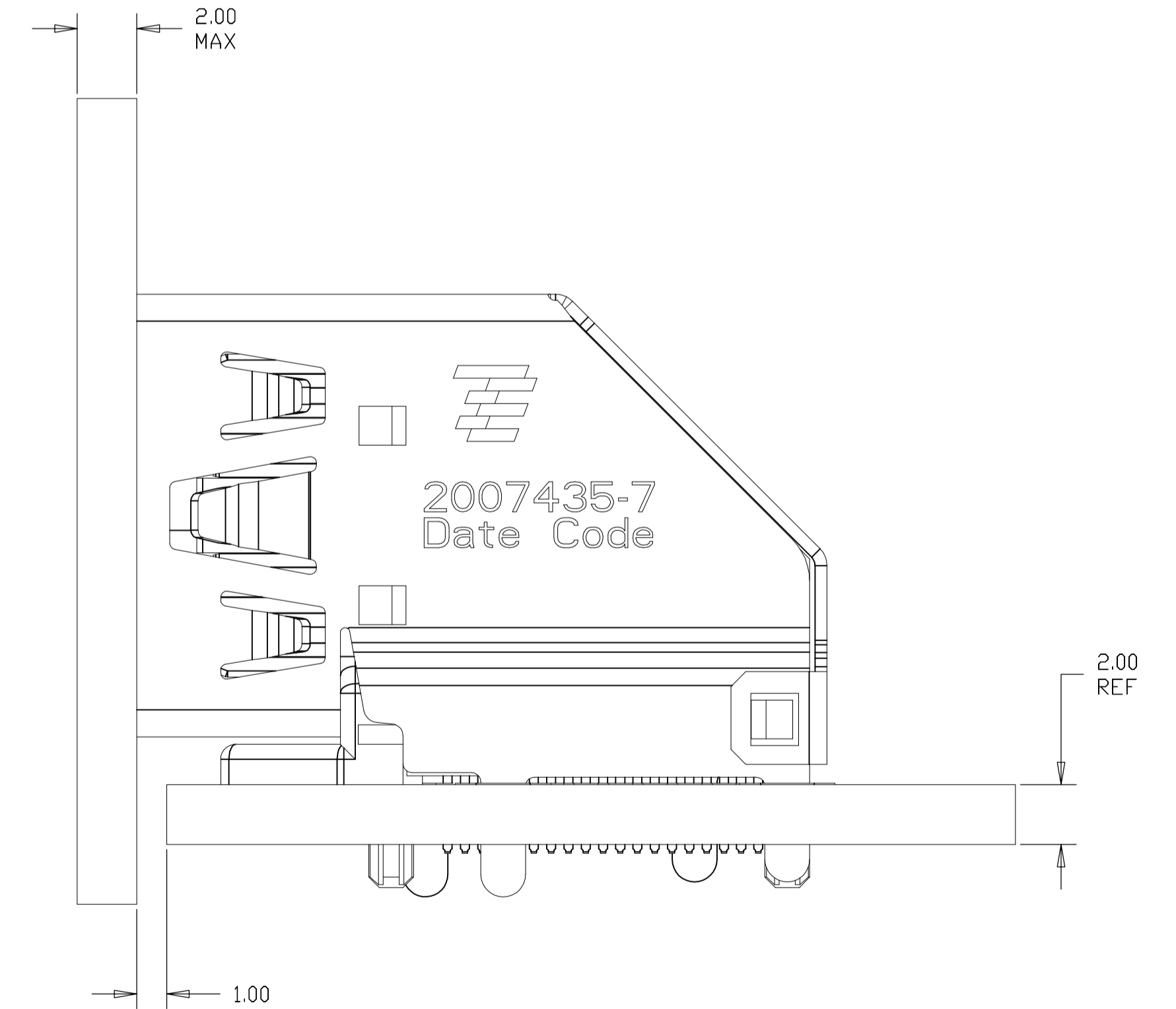
| | | | | |
|--|--|------------------|------------------------------|---------------|
| THIS DRAWING IS A CONTROLLED DOCUMENT. | | DIN | STE TE Connectivity | |
| DIMENSIONS: | TOLERANCES UNLESS OTHERWISE SPECIFIED: | CHK | NAME | |
| mm | 0. PLC ± 0.3 | APVD | HDMI FLAG CONNECTOR ASSEMBLY | |
| | 1. PLC ± 0.25 | PRODUCT SPEC | - | |
| | 2. PLC ± 0.10 | APPLICATION SPEC | - | |
| | 3. PLC ± 0.10 | SIZE | A1 | 00779 |
| | 4. PLC ± 0.10 | WEIGHT | - | - |
| MATERIAL | FINISH | RESTRICTED TO | CUSTOMER DRAWING | |
| SEE TABLE | | SCALE | 8:1 | SHEET 5 OF 10 |

| LOC | | DIST | | REVISIONS | | | |
|-----|-----|-------------|------|-----------|------|---|---|
| P | LTR | DESCRIPTION | DATE | OWN | APVD | | |
| - | - | SEE SHEET 1 | - | - | - | - | - |

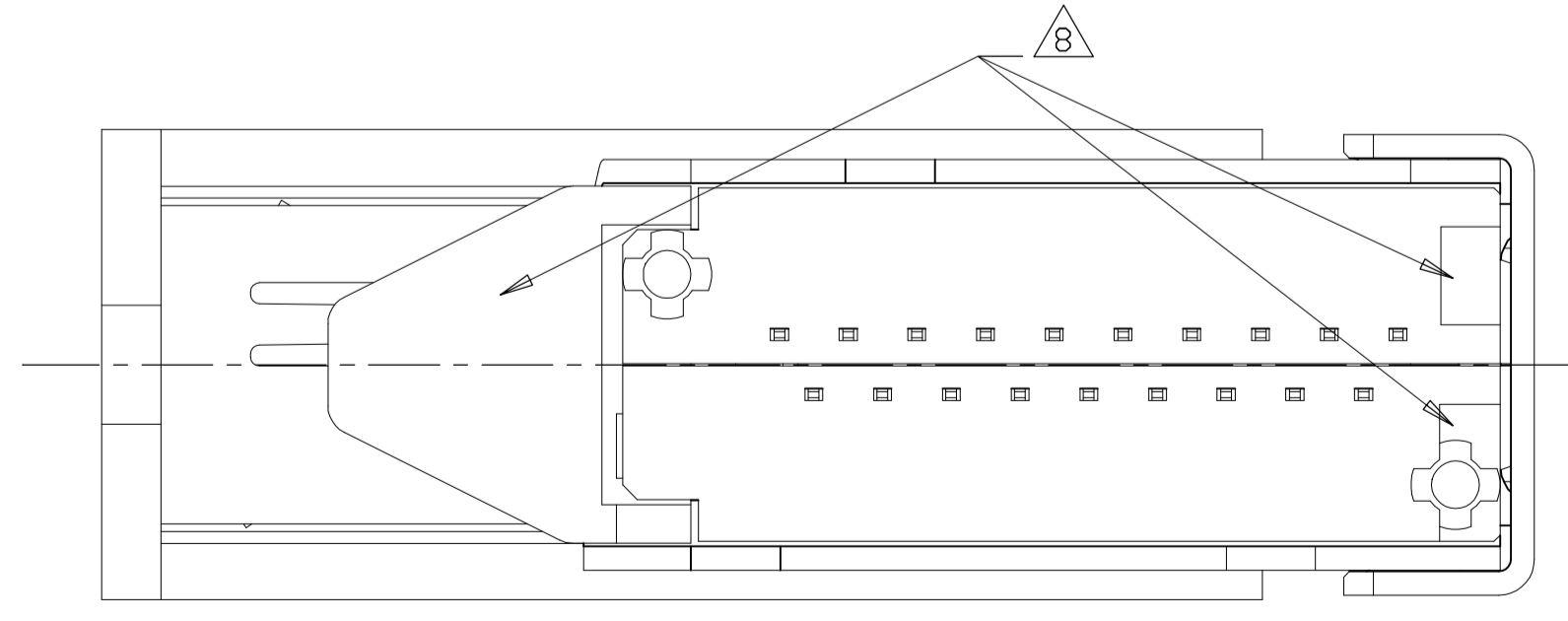


2007435-7 WITH CAP,
 UNMARKED DIMENSIONS SAME AS 2007435-1

SCALE 6:1

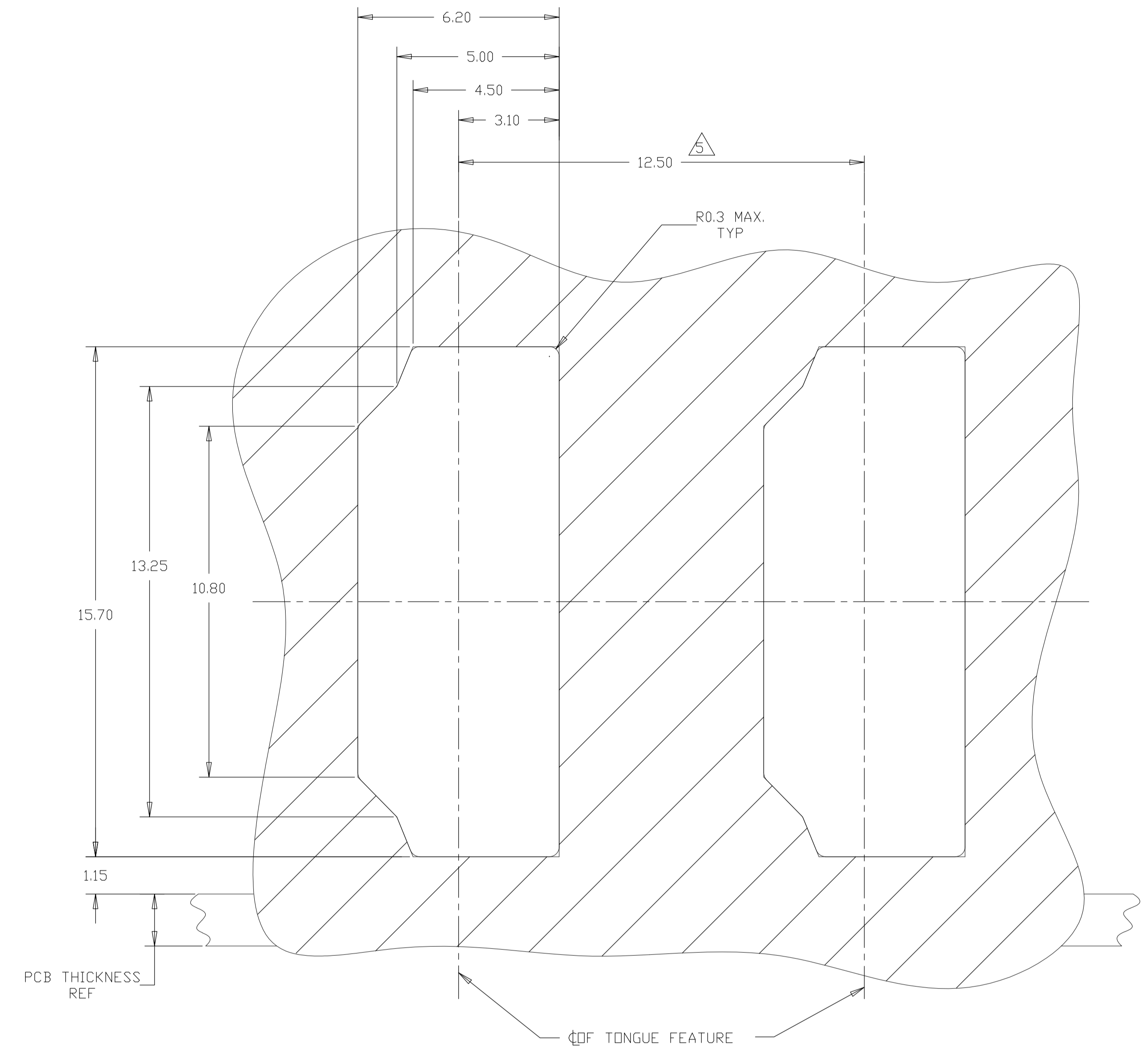
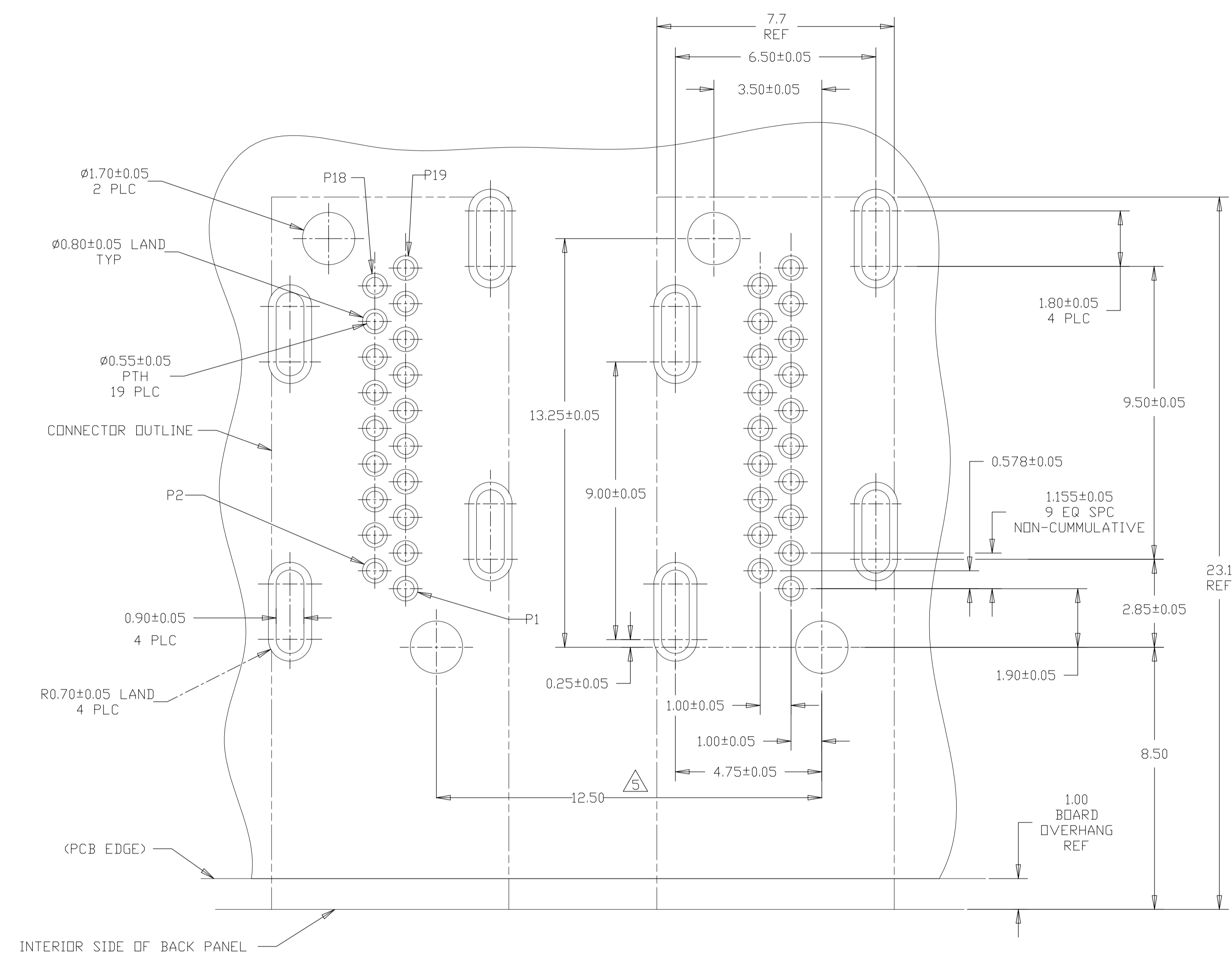


INSTALLED CONDITION
 (ONLY FOR AFTER REMOVE CAP)
 SCALE 6:1



| | | | | |
|--|--------|------------------|------------------------------|---------------|
| THIS DRAWING IS A CONTROLLED DOCUMENT. | | DWN | | |
| DIMENSIONS: mm | | CHK | | |
| TOLERANCES UNLESS OTHERWISE SPECIFIED: | | APVD | NAME | |
| 0 PLC | ± 0.3 | PRODUCT SPEC | HDMI FLAG CONNECTOR ASSEMBLY | |
| 1 PLC | ± 0.25 | APPLICATION SPEC | SIZE | CAGE CODE |
| 2 PLC | ± 0.10 | WEIGHT | A1 | 00779 |
| 3 PLC | ± 0.10 | CUSTOMER DRAWING | DRAWING NO. C=2007435 | |
| 4 PLC | ± 0.10 | SCALE | 8:1 | SHEET 6 OF 10 |
| ANGLES | ± | REV | D2 | |
| MATERIAL SEE TABLE | FINISH | | | |

| LOC | | DIST | | REVISIONS | | | |
|-----|-----|-------------|------|-----------|------|---|---|
| P | LTR | DESCRIPTION | DATE | DNW | APVD | | |
| - | - | SEE SHEET 1 | - | - | - | - | - |

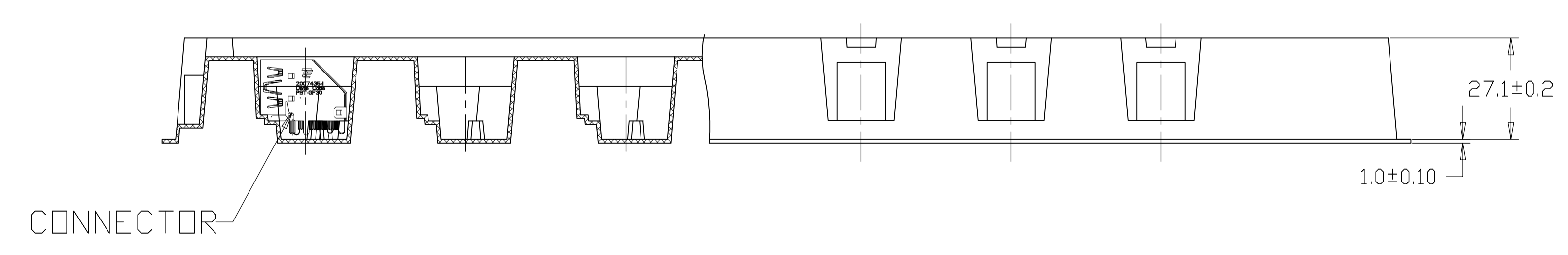
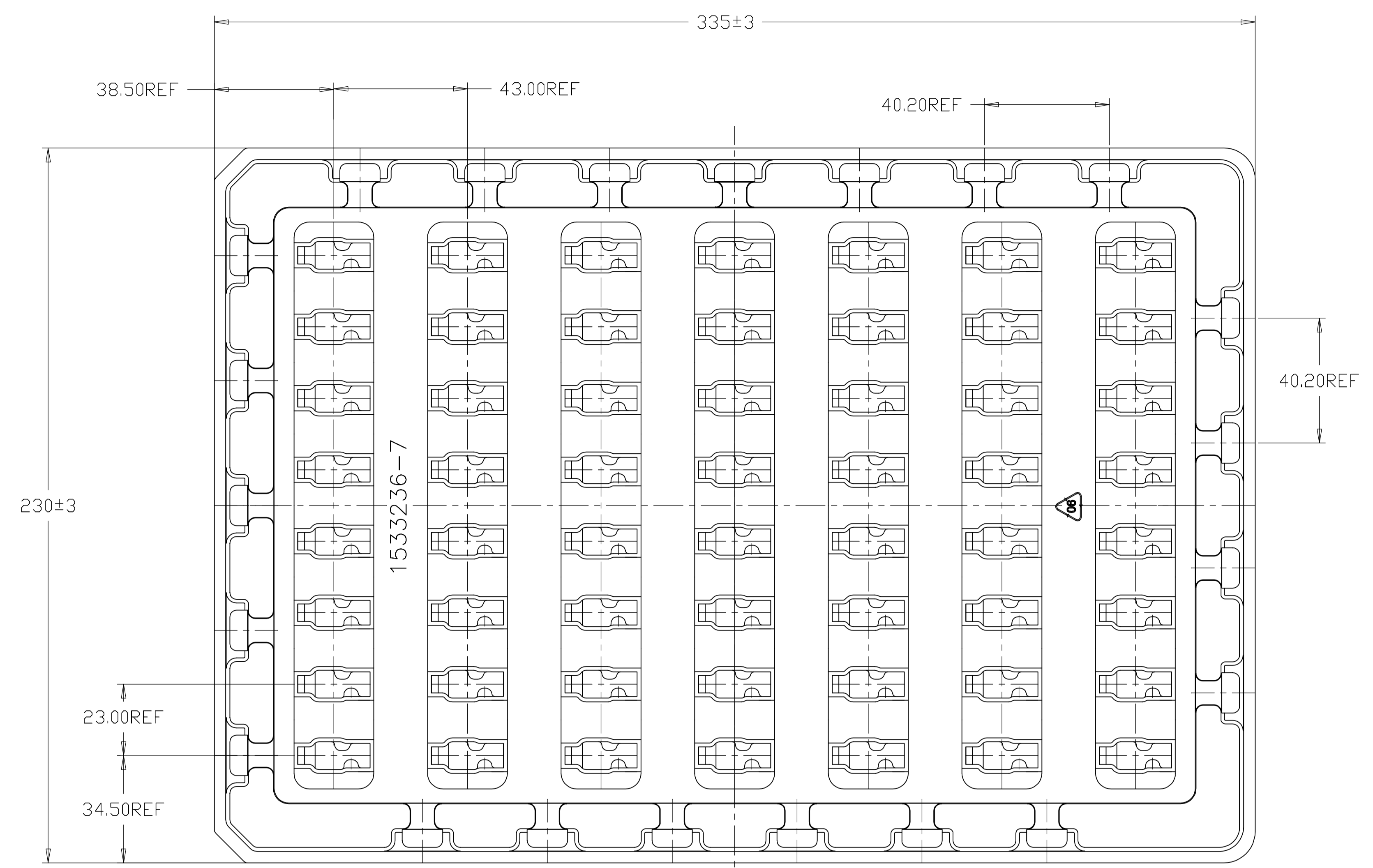


PCB LAYOUT SCALE 10:1

RECOMMENDED PANEL CUTOUT SCALE 10:1

| | | | | |
|--|--|------------------|------------------------------|---------------|
| THIS DRAWING IS A CONTROLLED DOCUMENT. | | DIN | STE TE Connectivity | |
| DIMENSIONS: mm | | CHK | NAME | |
| TOLERANCES UNLESS OTHERWISE SPECIFIED: | | APVD | HDMI FLAG CONNECTOR ASSEMBLY | |
| 0 PLC ± - | | PRODUCT SPEC | - | |
| 1 PLC ± 0.1 | | APPLICATION SPEC | - | |
| 2 PLC ± 0.10 | | SIZE | A1 | 00779 |
| 3 PLC ± 0.100 | | CAGE CODE | C=2007435 | DRAWING NO |
| 4 PLC ± 0.1000 | | WEIGHT | - | RESTRICTED TO |
| ANGLES ± - | | CUSTOMER DRAWING | SCALE 8:1 | SHEET 7 OF 10 |

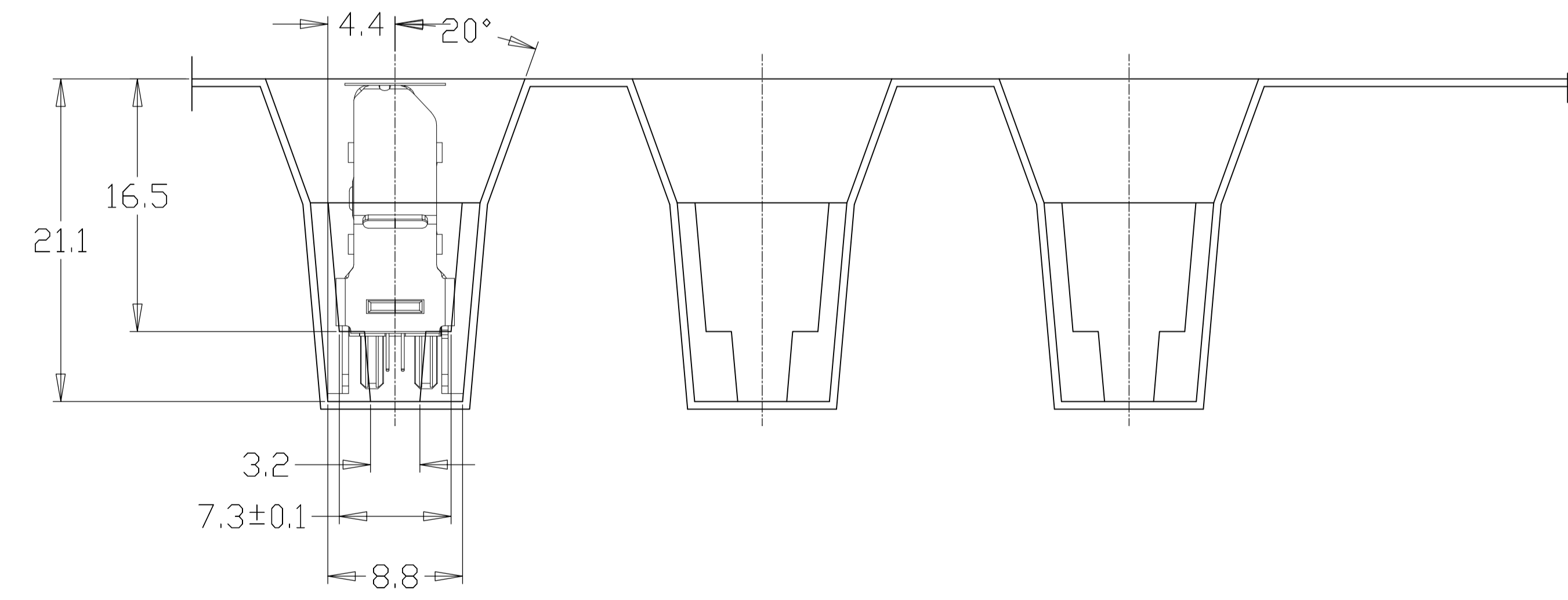
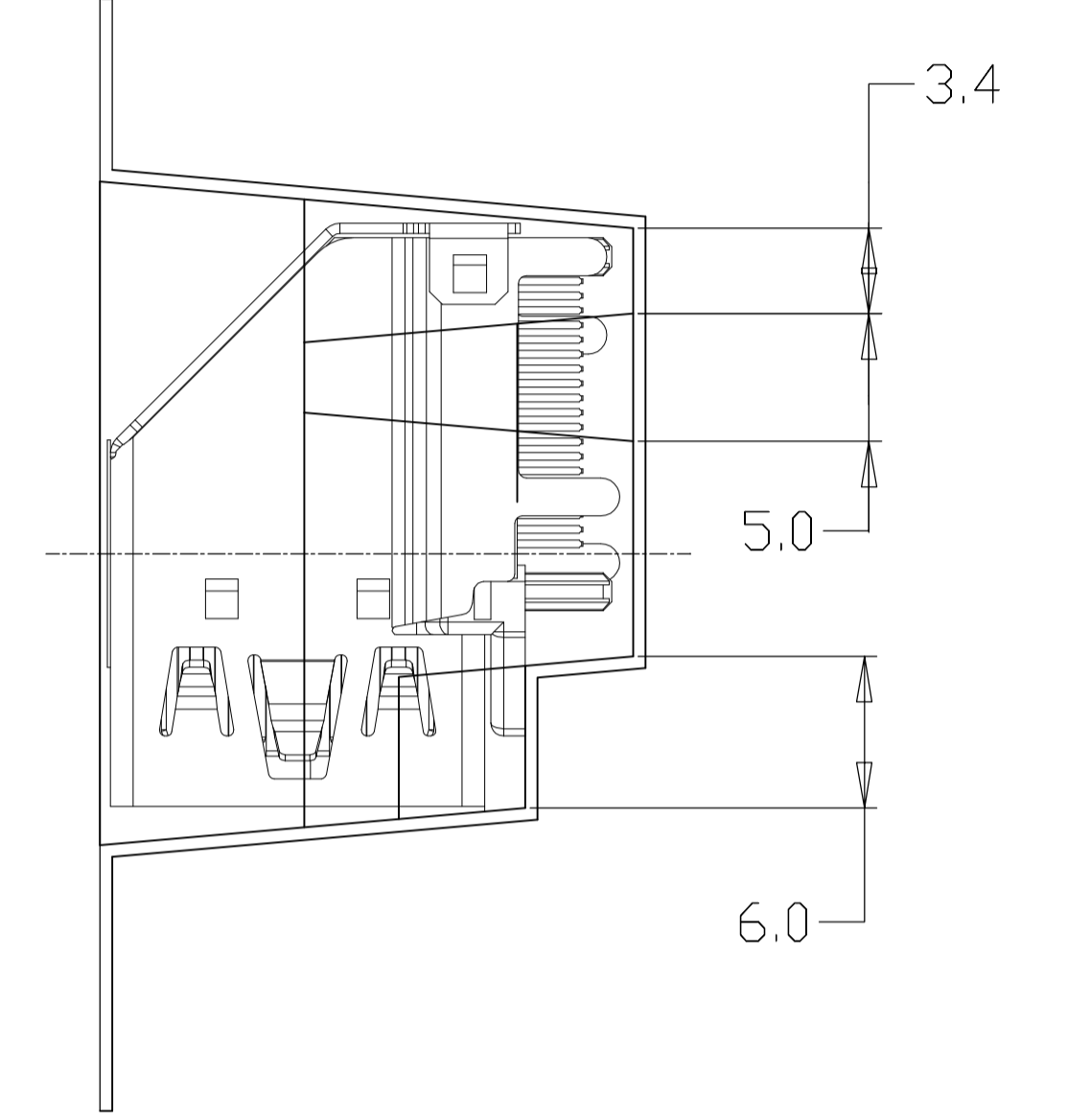
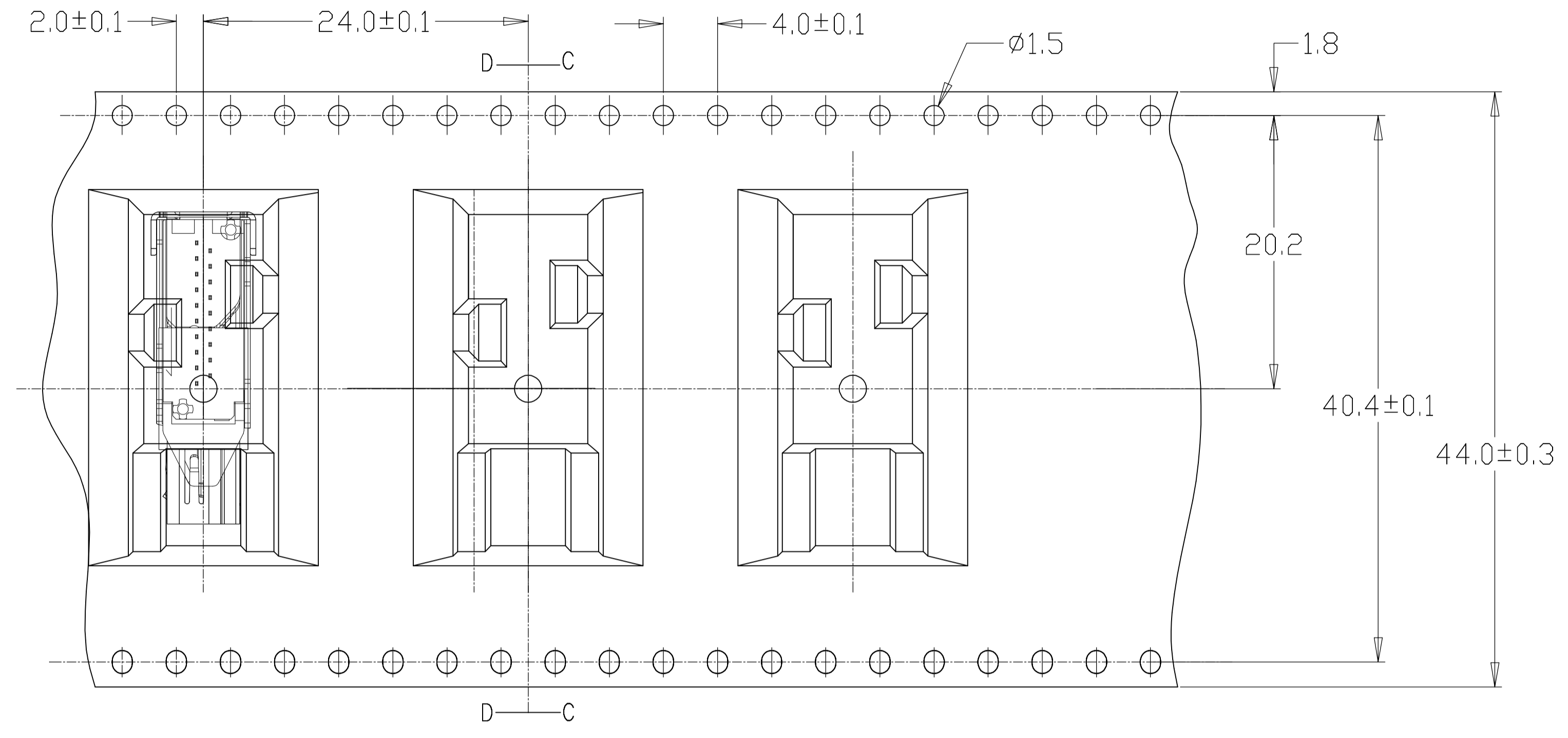
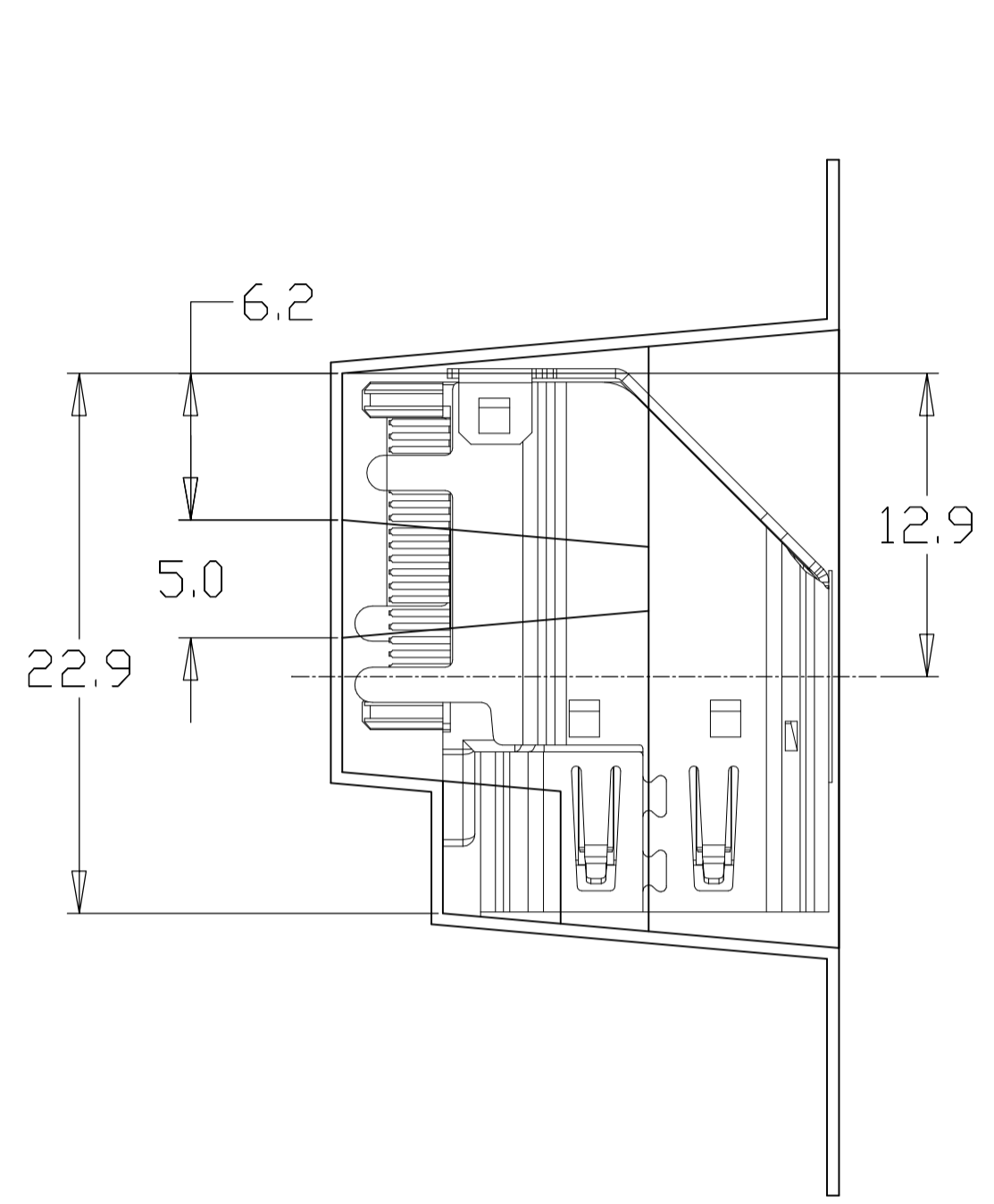
| LOC | | DIST | | REVISIONS | | | |
|-----|-----|-------------|------|-----------|------|---|---|
| P | LTR | DESCRIPTION | DATE | DN | APVD | | |
| - | - | SEE SHEET 1 | - | - | - | - | - |



PACKAGE TRAY
FOR PART NUMBER
2007435-1,-2,-3,-4,-5
2-2007435-1

| | | | | | | | |
|--|--|--|--|--------------------|--|------------------------------|--|
| THIS DRAWING IS A CONTROLLED DOCUMENT. | | DIN | | STE | | TE Connectivity | |
| DIMENSIONS: mm | | TOLERANCES UNLESS OTHERWISE SPECIFIED: | | NAME | | HDMI FLAG CONNECTOR ASSEMBLY | |
| <ul style="list-style-type: none"> 0. PLC ± . 1. PLC ± . 2. PLC ± . 3. PLC ± . 4. PLC ± . ANGLES ± . | | <ul style="list-style-type: none"> APVD PRODUCT SPEC APPLICATION SPEC | | SIZE | | RESTRICTED TO | |
| MATERIAL | | FINISH | | WEIGHT | | SCALE | |
| | | | | A1 00779 C=2007435 | | N/A | |
| CUSTOMER DRAWING | | | | SHEET 8 OF 10 | | REV D2 | |

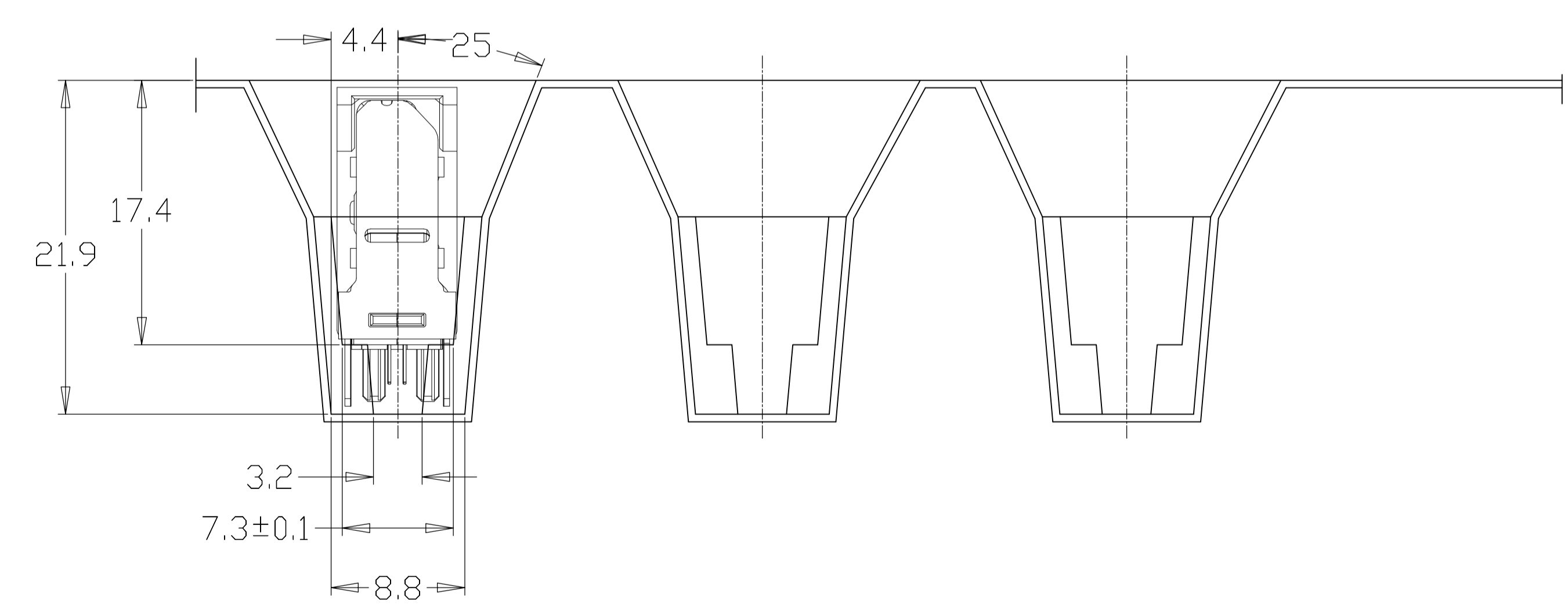
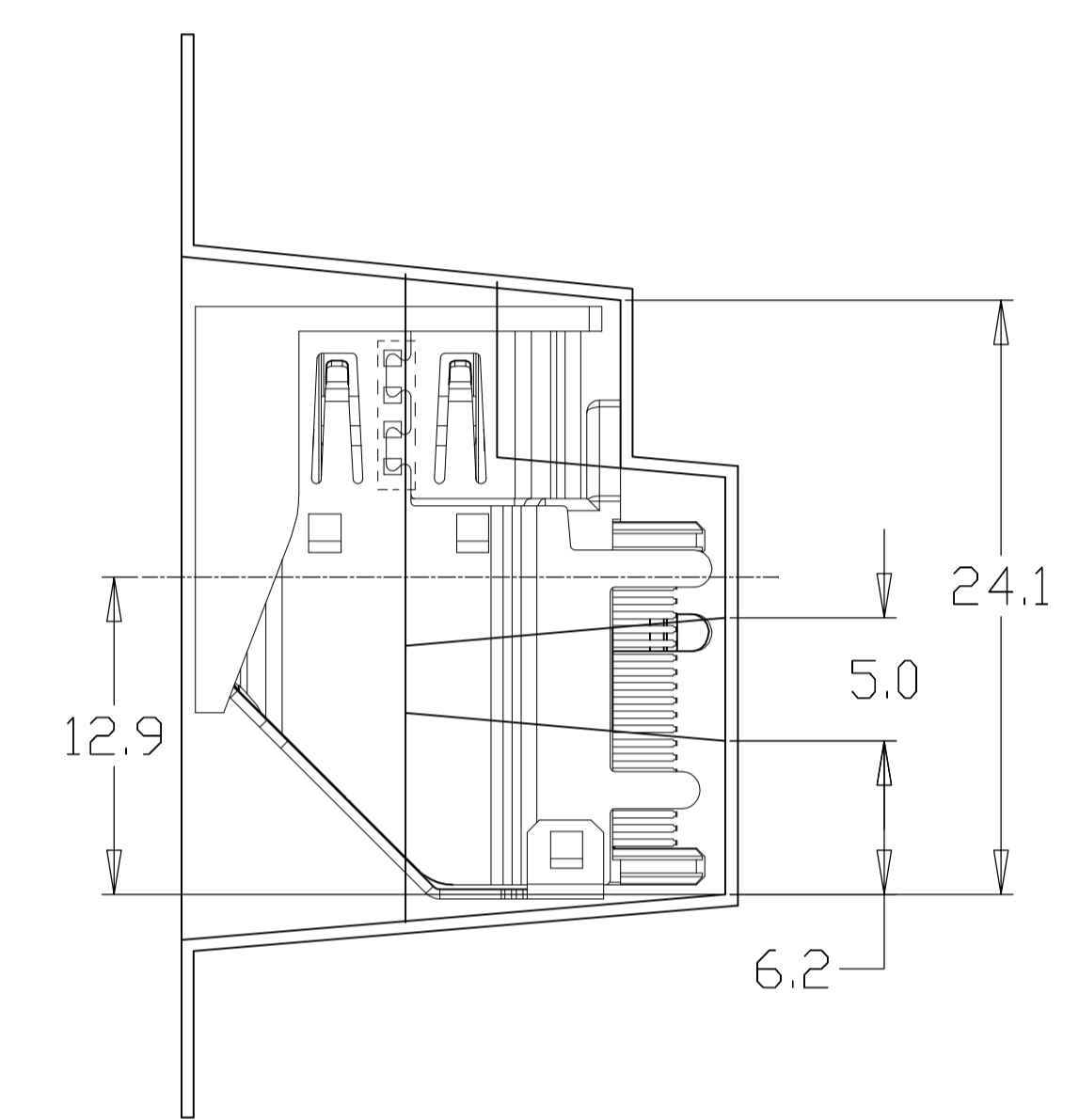
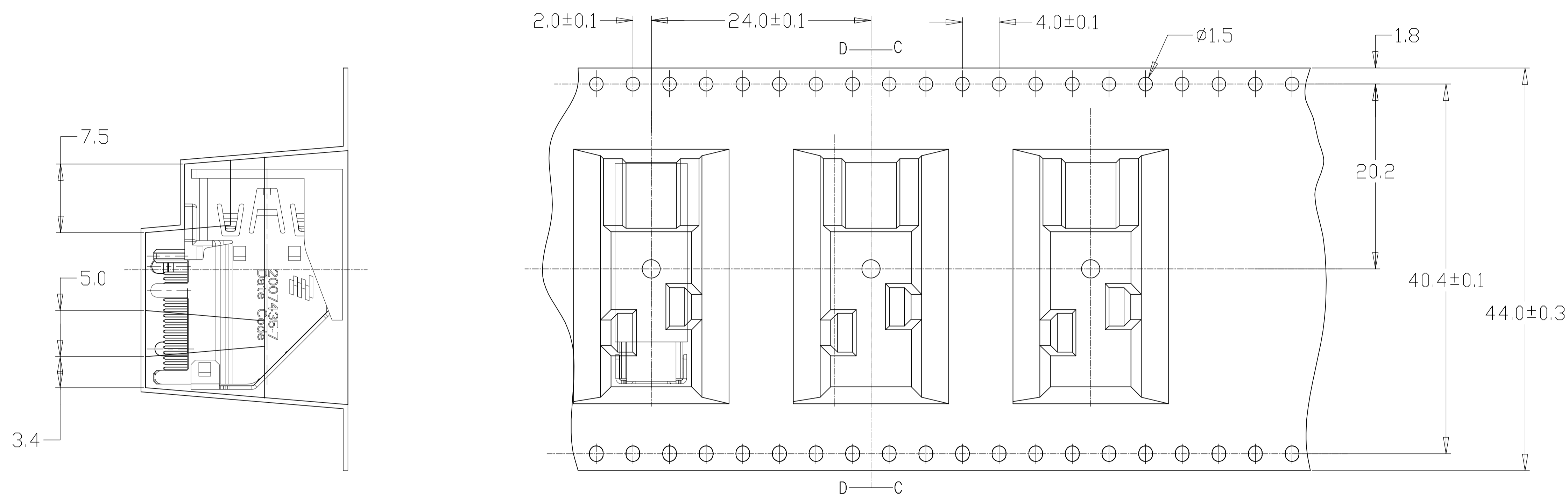
| LOC | | DIST | | REVISIONS | | | |
|-----|-----|-------------|------|-----------|------|---|---|
| P | LTR | DESCRIPTION | DATE | DN | APVD | | |
| - | - | SEE SHEET 1 | - | - | - | - | - |



EMBOSS TAPE
FOR PART NUMBER 2007435-6

| | | | | |
|--|---------------|------------------|------------------------------|---------------|
| THIS DRAWING IS A CONTROLLED DOCUMENT. | | DIN | STE TE Connectivity | |
| DIMENSIONS: mm | | CHK | NAME | |
| TOLERANCES UNLESS OTHERWISE SPECIFIED: | | APVD | HDMI FLAG CONNECTOR ASSEMBLY | |
| 0. PLC ± 0.3 | 1. PLC ± 0.15 | PRODUCT SPEC | - | |
| 2. PLC ± 0.10 | 3. PLC ± 0.10 | APPLICATION SPEC | - | |
| 4. PLC ± 0.10 | ANGLES ± 0.10 | SIZE | A1 | RESTRICTED TO |
| MATERIAL | FINISH | WEIGHT | 00779C=2007435 | 9 OF 10 |
| CUSTOMER DRAWING | | SCALE | N/A | REV D2 |

| LOC | | DIST | | REVISIONS | | | |
|-----|-----|-------------|------|-----------|------|---|---|
| P | LTR | DESCRIPTION | DATE | DN | APVD | | |
| - | - | SEE SHEET 1 | - | - | - | - | - |



EMBOSS TAPE
FOR PART NUMBER 2007435-7

| | | | | | |
|--|--|------------------|--|--|--|
| THIS DRAWING IS A CONTROLLED DOCUMENT. | | DIN | | TE Connectivity | |
| DIMENSIONS: mm | | CHK | | | |
| TOLERANCES UNLESS OTHERWISE SPECIFIED: | | APVD | | NAME | |
| 0. PLC ± 0.3 | | PRODUCT SPEC | | HDMI FLAG CONNECTOR ASSEMBLY | |
| 1. PLC ± 0.15 | | APPLICATION SPEC | | - | |
| 2. PLC ± 0.10 | | WEIGHT | | SIZE CAGE CODE DRAWING NO. RESTRICTED TO | |
| 3. PLC ± 0.10 | | CUSTOMER DRAWING | | A1 00779 C=2007435 | |
| 4. PLC ± 0.10 | | SCALE N/A | | SHEET 10 OF 10 REV D2 | |
| ANGLES ± | | | | | |
| FINISH | | | | | |

X-ON Electronics

Largest Supplier of Electrical and Electronic Components

Click to view similar products for [HDMI, Displayport & DVI Connectors](#) category:

Click to view products by [TE Connectivity](#) manufacturer:

Other Similar products are found below :

[1775247-3](#) [2-1932649-5](#) [30-1231](#) [30-528](#) [2069485-1](#) [30-504](#) [30-519](#) [30-542](#) [47648-2000](#) [2002-400](#) [1453G1](#) [769-103/021-000](#) [1932649-1](#)
[233-368NFG6-17NH](#) [G45A19071083HR](#) [233-360NF00-17NH](#) [CP30200GM3B](#) [HYC02-DVI29-371](#) [P136-06NHDV4KBP](#) [CP30116](#)
[LTWDID-29PFFS-SL8001](#) [46765-1301](#) [1211-0010-201-001](#) [47271-1004](#) [32-1121-BU](#) [DS1117-BN0-TME-002](#) [MHDR2A11004BP](#)
[EHHDMI2PKG](#) [1903015-3](#) [DS1114-BN0](#) [WPUSBAF](#) [500254-1931](#) [UAD011FM](#) [HDMR-19-01-F-SM](#) [47151-1071](#) [1747981-1](#) [0480372000](#)
[0482580001](#) [D121073-19](#) [472710111](#) [HDMI-S-RA6-SMT-MF-15](#) [P142-000-UP](#) [P134-003](#) [P120-08N](#) [KDMIX-FS1V-WS-B](#) [P142-000-UD](#)
[P132-000](#) [P130-000](#) [P142-06N-MICRO](#) [P142-000-MINI](#)