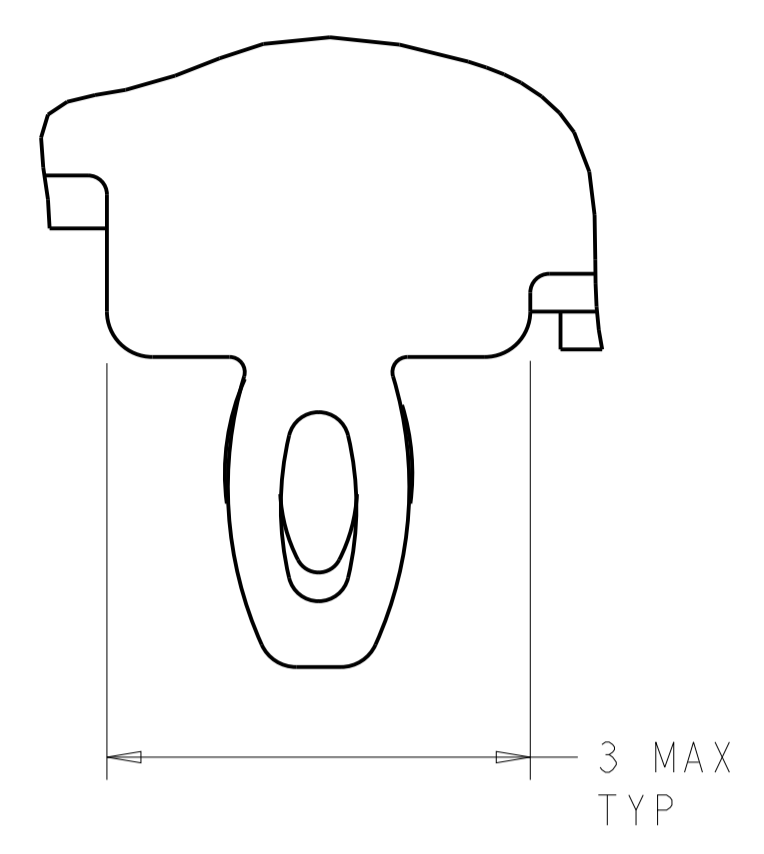


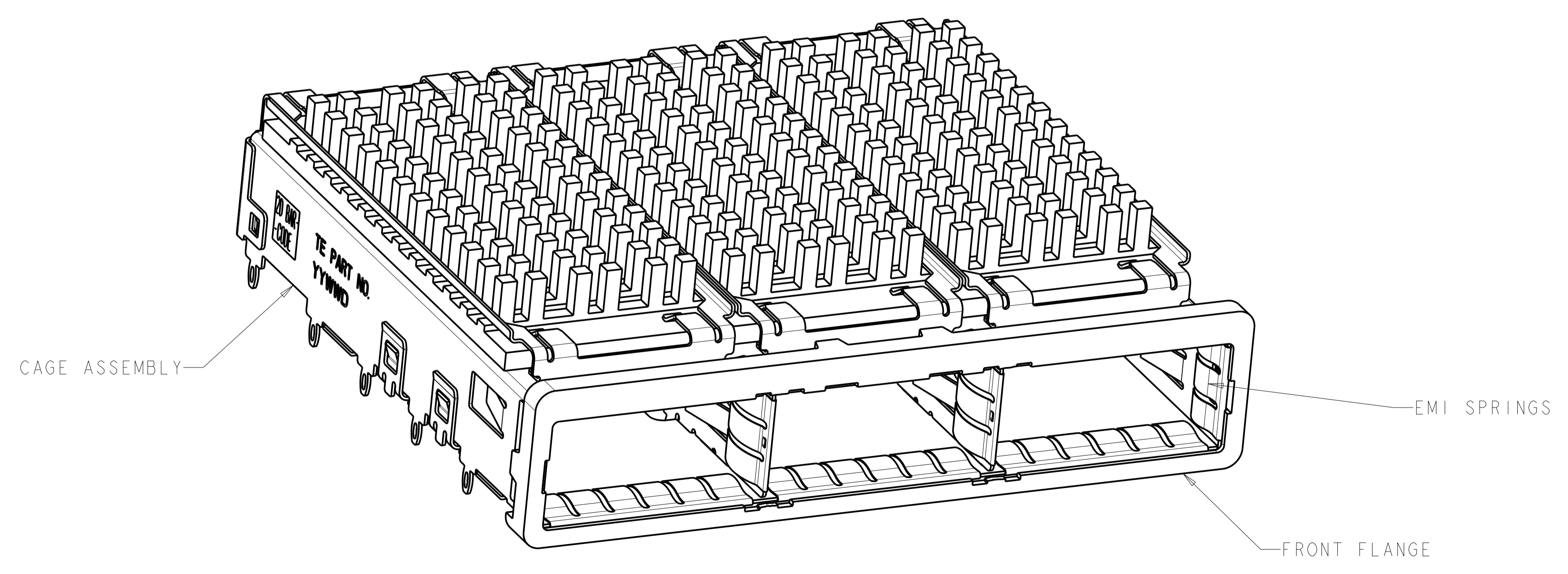
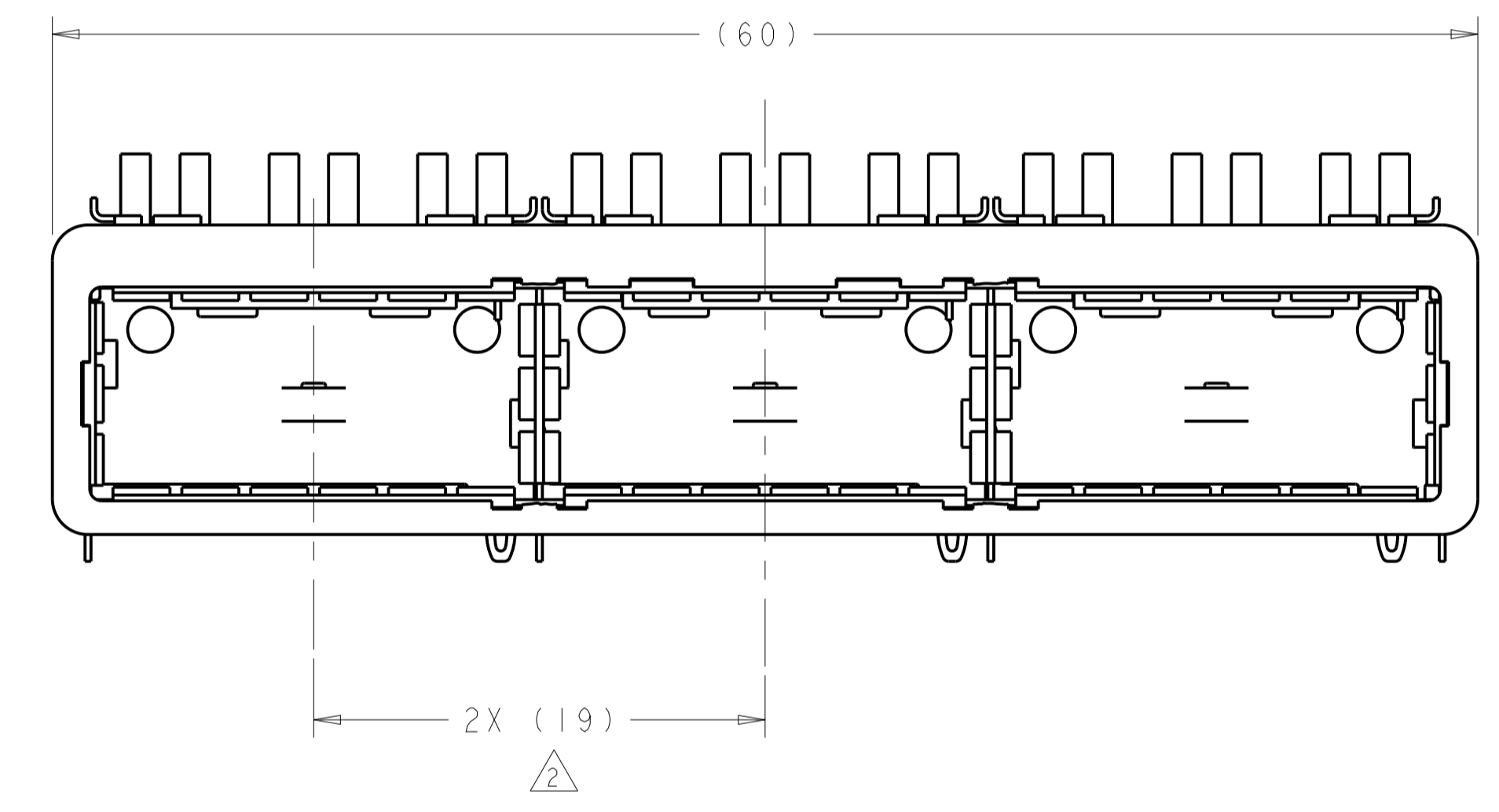
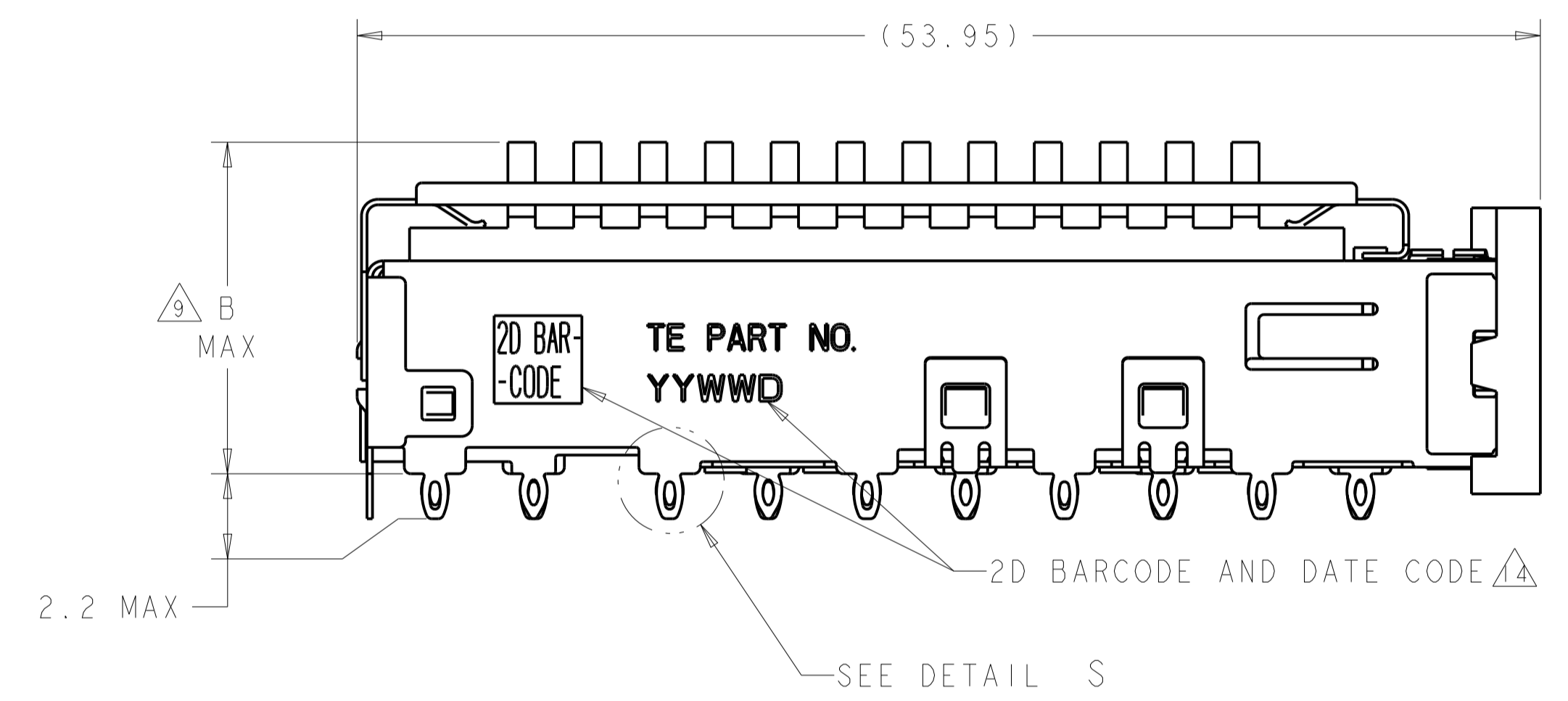
LOC		DIST		REVISONS			
GP	00	REV	LYR	DESCRIPTION	DATE	DWN	APVD
		D		REVISED PER ECO-12-005533	23MAR2012	JY	AC
		E		REVISED PER ECO-14-012115	6AUG2014	RG	MC
		F		REVISED PER ECO-14-017735	30EC2014	RG	MC
		F1		REVISED PER ECO-21-000707	19JAN2021	SH	SZ



DETAIL S $\Delta 12$
 SCALE 20:1

- $\Delta 1$ MATERIALS:
 CAGE ASSEMBLY: NICKEL SILVER, 0.25 THICK
 EMI SPRINGS: COPPER ALLOY
 FRONT FLANGE: ZINC ALLOY
 HEAT SINK: ALUMINUM/NICKEL PLATING
 HEAT SINK CLIP: STAINLESS STEEL
- $\Delta 2$ PITCH BETWEEN PORTS OF ONE 1X3 CAGE ASSEMBLY.
- $\Delta 3$ SPACING BETWEEN CAGES ON THE SAME PC BOARD, TO BE SPECIFIED BY CUSTOMER, MUST COMPLY WITH MINIMUM DIMENSIONS SHOWN.
- $\Delta 4$ REFERENCE APPLICATION SPEC 114-13218 FOR RECOMMENDED DRILL HOLE DIAMETER AND PLATING THICKNESS.
- $\Delta 5$ DATUMS AND BASIC DIMENSIONS ESTABLISHED BY CUSTOMER.
- $\Delta 6$ DIMENSION C IS THE NOMINAL THICKNESS OF CUSTOMER SUPPLIED PC BOARD.
 MINIMUM SINGLE SIDED PC BOARD THICKNESS: 1.45mm
 MINIMUM DOUBLE SIDED PC BOARD THICKNESS: 2.2mm PER QSFP
- $\Delta 7$ HEAT SINKS AND CLIPS SHIPPED ASSEMBLED TO CAGE ASSEMBLY. CAGE ASSEMBLY MAY BE PRESSED INTO THE PCB AS SHIPPED.
- $\Delta 8$ DATUM -A- IS TOP SURFACE OF PC BOARD.
- $\Delta 9$ DIMENSION APPLIES WITH MODULE INSERTED IN CAGE.
- $\Delta 10$ UNPLATED THRU HOLE.
- 11. MATES WITH QSFP MSA COMPATIBLE TRANSCEIVER.
- $\Delta 12$ SURFACE TRACES PERMITTED WITHIN THIS AREA EXCEPT WHERE CAGE STANDOFFS, SHOWN IN DETAIL S, CONTACT PC BOARD.

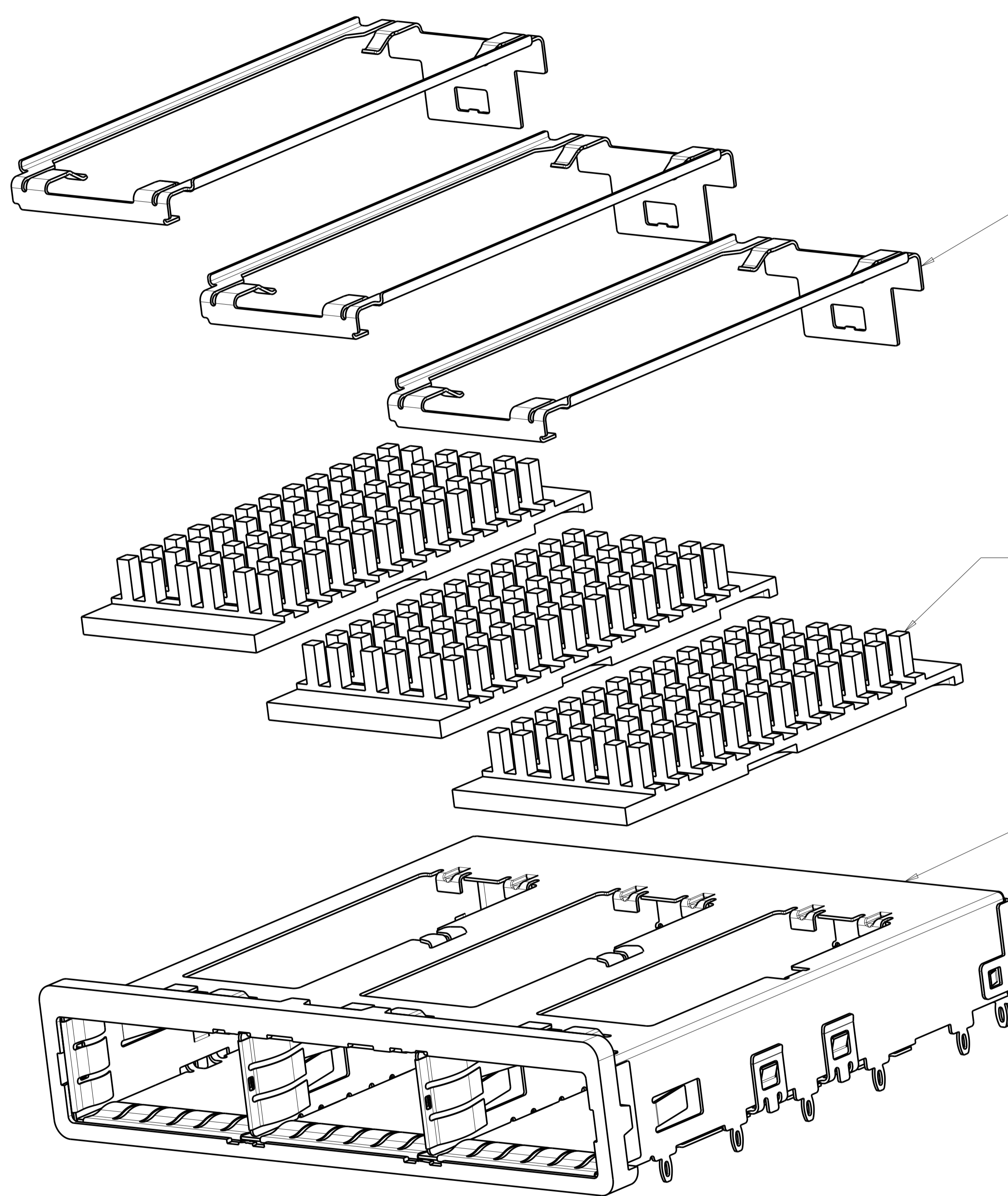
- $\Delta 3$ BASELINE FOR THESE DIMENSIONS IS THE CENTER OF COMPLIANT PIN HOLE.
- $\Delta 4$ 2D BARCODE AND DATE CODE (YYWW) MARKED ON SIDE OF CAGE.
- $\Delta 5$ REFERENCE APP SPEC 114-13218 FOR GASKET THICKNESS CALCULATION.
- $\Delta 6$ FINISH:
 EMI SPRINGS: 2 μ m MINIMUM TIN
 FRONT FLANGE: 3 μ m MINIMUM TIN OVER 1.27 μ m MINIMUM NICKEL OVER 5.08 μ m MINIMUM COPPER
- $\Delta 7$ FINISH:
 HEAT SINK: ANODIZED BLACK.



$\Delta 1$	16.8	CUSTOMERIZED	2007456-4
	23.0	NETWORKING	2007456-3
	16.0	SAN	2007456-2
	13.7	PCI	2007456-1
B		HEAT SINK PROFILE	PART NUMBER

THIS DRAWING IS A CONTROLLED DOCUMENT.		DWN: C. VALENTINE 07NOV2007	TE Connectivity NAME: 1X3 CAGE ASSEMBLY, BEHIND BEZEL, W/ HEAT SINKS, QSFP
DIMENSIONS:		CHK: E. BRIGHT 07NOV2007	
TOLERANCES UNLESS OTHERWISE SPECIFIED:		APVD: F. BRIGHT 07NOV2007	
mm		PRODUCT SPEC	
0 PLC	±	108-2286	SIZE: CAGE CODE DRAWING NO
1 PLC	±0.1	APPLICATION SPEC	RESTRICTED TO
2 PLC	±	114-13218	A100779C=2007456
3 PLC	±	WEIGHT	CUSTOMER DRAWING
4 PLC	±	SCALE 4:1	SHEET 1 OF 5
ANGLES	±	REV F1	
FINISH	$\Delta 16$		


LOC		DIST		REVISONS			
GP	00	P	LTN	DESCRIPTION	DATE	DWN	APVD
		-		SEE SHEET 1	-	-	-



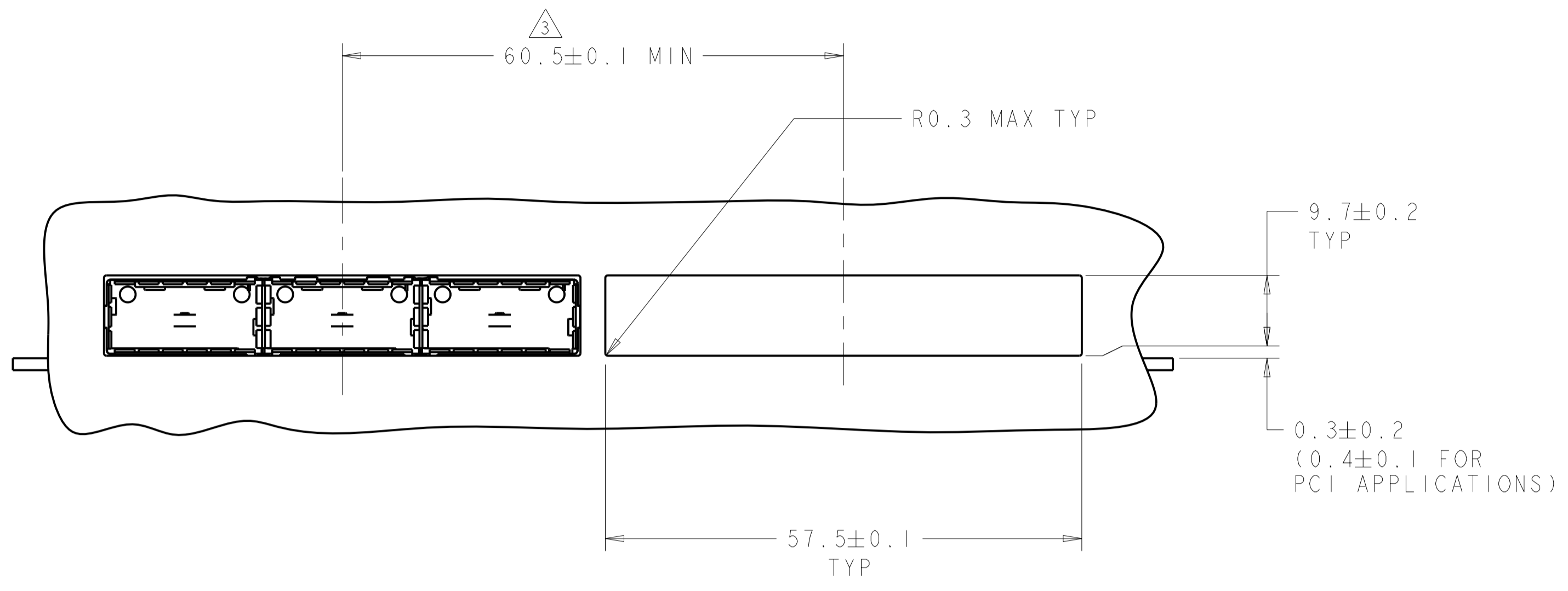
HEAT SINK CLIP Δ
 QUANTITY: 3

72 PIN HEAT SINK Δ
 QUANTITY: 3

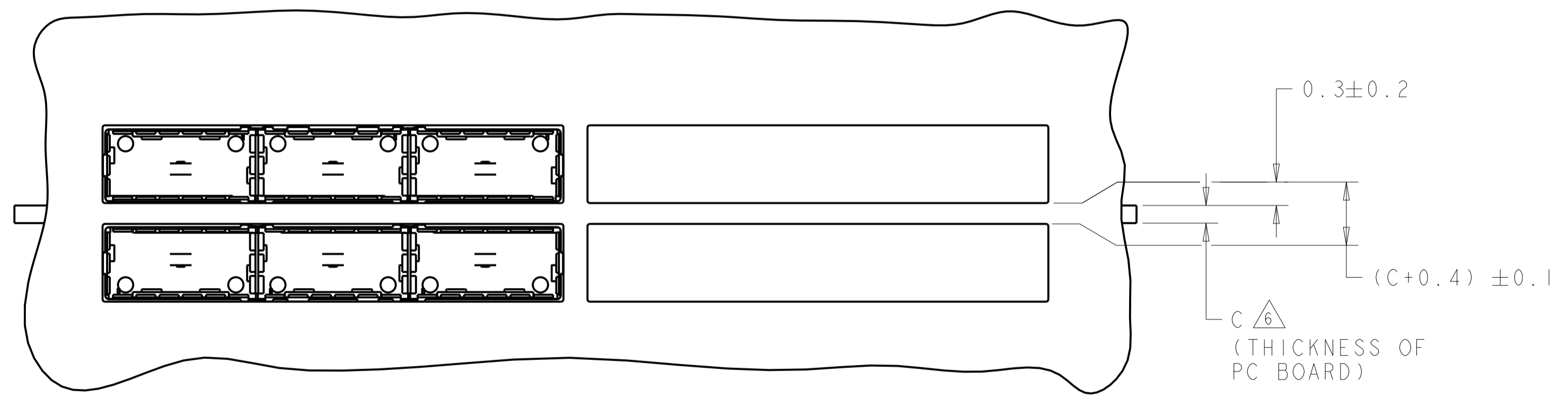
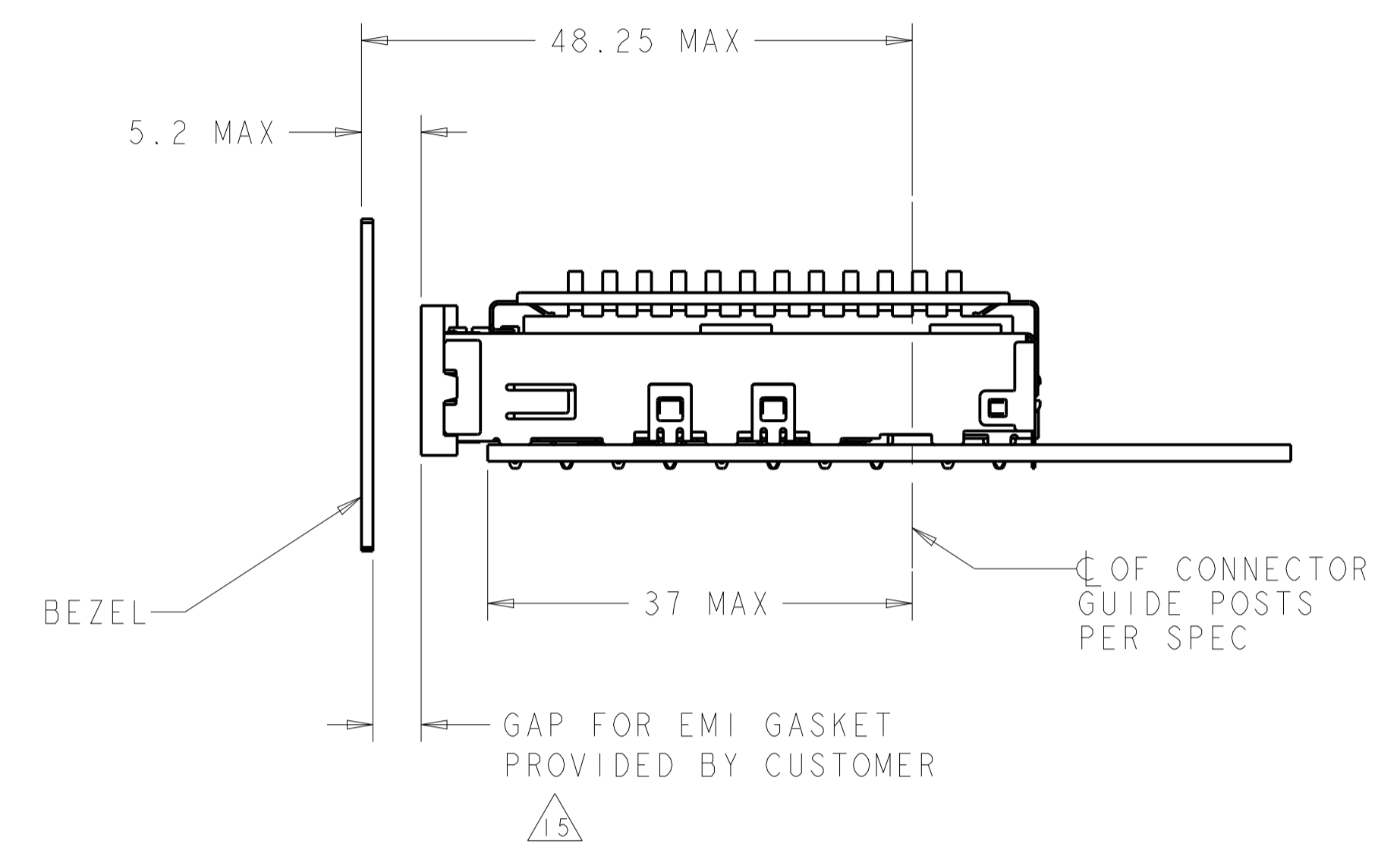
1X3 BEHIND BEZEL QSFP
 CAGE ASSEMBLY
 QUANTITY: 1

THIS DRAWING IS A CONTROLLED DOCUMENT.		DWN C. VALENTINE 07NOV2007	 TE Connectivity
DIMENSIONS:		CHK E. BRIGHT 07NOV2007	
mm	TOLERANCES UNLESS OTHERWISE SPECIFIED:	APVD E. BRIGHT 07NOV2007	NAME 1X3 CAGE ASSEMBLY, BEHIND BEZEL, W/ HEAT SINKS, QSFP
0 PLC \pm	1 PLC ± 0.1	PRODUCT SPEC	SIZE A100779C=2007456
2 PLC ± 0.1	3 PLC \pm	108-2286	RESTRICTED TO
4 PLC \pm	ANGLES \pm	APPLICATION SPEC	
		114-13218	
MATERIAL	FINISH	WEIGHT	SCALE 4:1 SHEET 2 OF 5 REV F1
		CUSTOMER DRAWING	

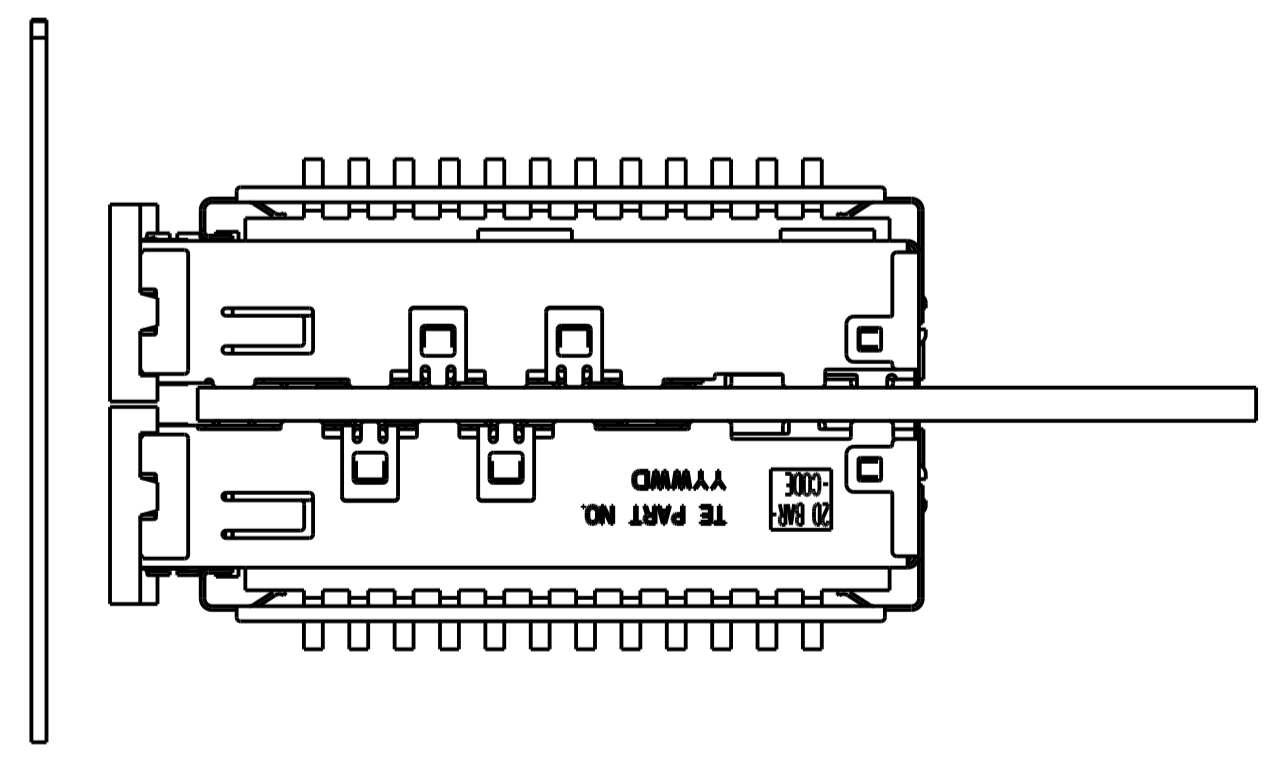
LOC	DIST	REVISIONS			
GP	00	REV	DATE	BY	APPV
-	-	SEE SHEET 1	-	-	-



ONE SIDED CONFIGURATION
SCALE 2:1



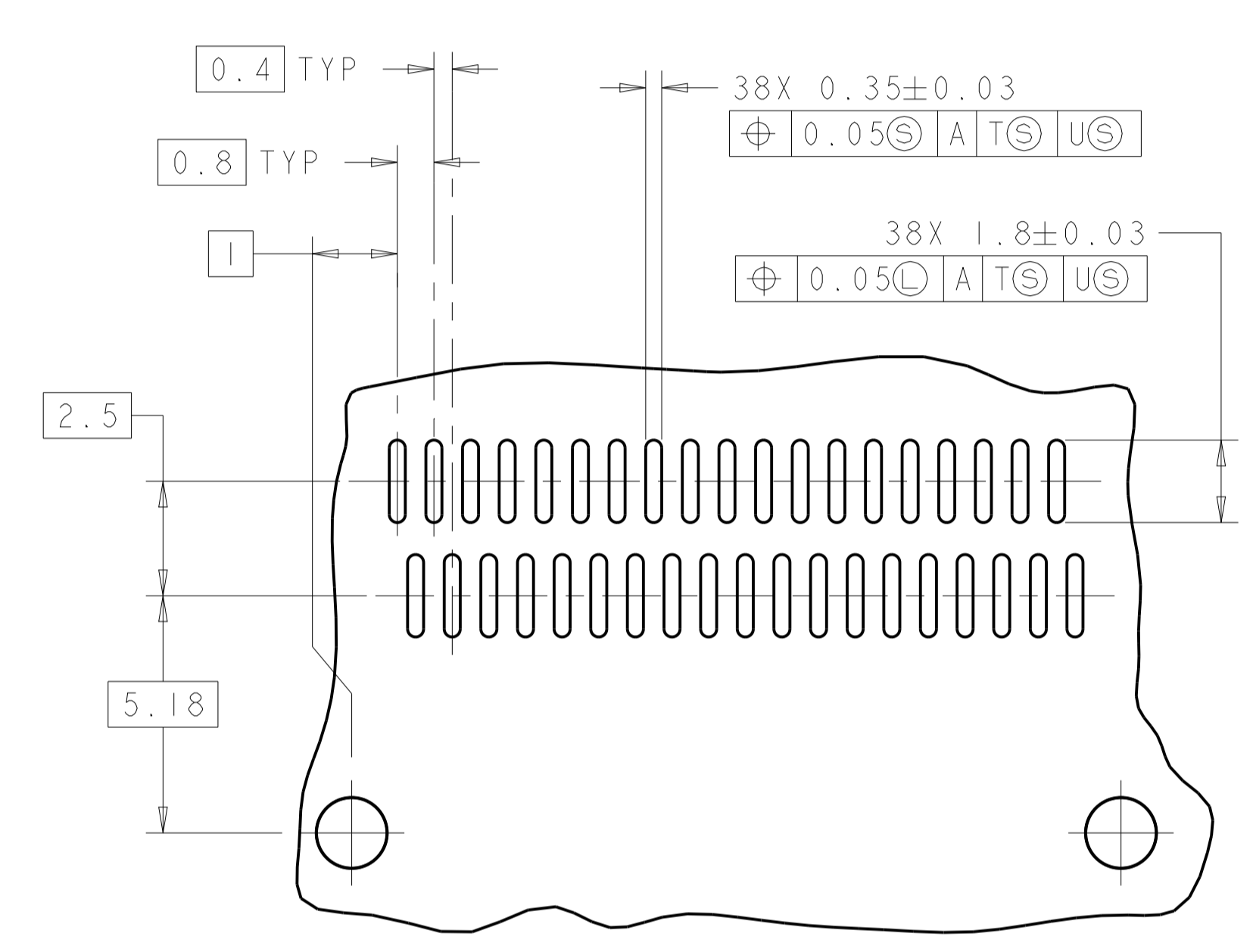
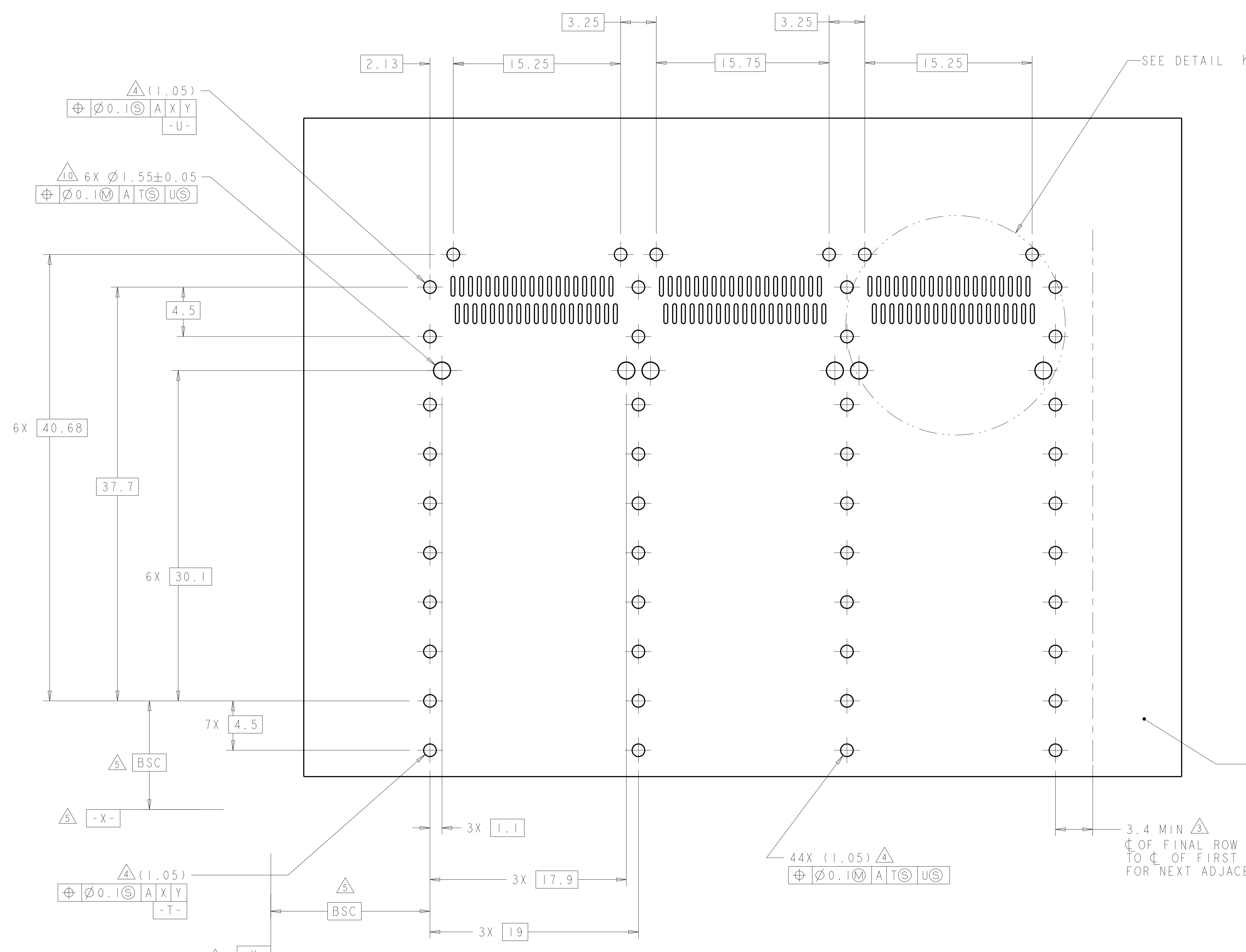
BELLY TO BELLY CONFIGURATION SIMILAR TO ONE SIDED EXCEPT WHERE NOTED
SCALE 2:1



THIS DRAWING IS A CONTROLLED DOCUMENT.		OWN C. VALENTINE CHK E. BRIGHT APVD E. BRIGHT	07NOV2007 07NOV2007 07NOV2007	TE Connectivity NAME 1X3 CAGE ASSEMBLY, BEHIND BEZEL, W/ HEAT SINKS, QSFP
DIMENSIONS:	TOLERANCES UNLESS OTHERWISE SPECIFIED:	PRODUCT SPEC	108-2286	
mm	0 PLC ± 1 PLC ±0.1 2 PLC ±0.1 3 PLC ± 4 PLC ±	APPLICATION SPEC	114-13218	
MATERIAL	FINISH	WEIGHT	100779	RESTRICTED TO
CUSTOMER DRAWING		SCALE 4:1	SHEET 3 OF 5	REV F1

LOC	DIST	REV	DATE	BY	APPD
GP	00				

REVISIONS					
REV	DATE	BY	APPD	DESCRIPTION	DATE
-	-	-	-	SEE SHEET 1	-



DETAIL K
 3 PLACES
 SCALE 8:1

RECOMMENDED PC BOARD LAYOUT
 BELLY TO BELLY CONFIGURATION
 SEE SHEET 4 FOR COMPONENT
 AND TRACE KEEP-OUTS
 SCALE 5:1

THIS DRAWING IS A CONTROLLED DOCUMENT.		DWN C. VALENTINE 07NOV2007	TE Connectivity										
DIMENSIONS: mm		CHK E. BRIGHT 07NOV2007											
TOLERANCES UNLESS OTHERWISE SPECIFIED:		APVD E. BRIGHT 07NOV2007	NAME 1X3 CAGE ASSEMBLY, BEHIND BEZEL, W/ HEAT SINKS, QSFP										
<table border="1"> <tr> <td>0 PLC</td> <td>±</td> </tr> <tr> <td>2 PLC</td> <td>±0.1</td> </tr> <tr> <td>3 PLC</td> <td>±0.1</td> </tr> <tr> <td>4 PLC</td> <td>±</td> </tr> <tr> <td>ANGLES</td> <td>±</td> </tr> </table>		0 PLC	±	2 PLC	±0.1	3 PLC	±0.1	4 PLC	±	ANGLES	±	PRODUCT SPEC 108-2286	SIZE 114-13218
0 PLC	±												
2 PLC	±0.1												
3 PLC	±0.1												
4 PLC	±												
ANGLES	±												
MATERIAL		APPLICATION SPEC	RESTRICTED TO										
FINISH		WEIGHT	SCALE 4:1 SHEET 5 OF 5 REV F1										
CUSTOMER DRAWING		114-13218	A100779C=2007456										

X-ON Electronics

Largest Supplier of Electrical and Electronic Components

Click to view similar products for [I/O Connectors](#) category:

Click to view products by [TE Connectivity](#) manufacturer:

Other Similar products are found below :

[571763P](#) [58098-0628](#) [D20419-211](#) [D38999/20FJ24PA L/C](#) [D38999/20FJ29SB L/C](#) [D38999/24FG11SN L/C](#) [72.250.1628.2](#) [72.250.2428.2](#)
[74720-0505](#) [76.350.0729.0](#) [76871-1403](#) [FCN-244F080-G/1](#) [FCN-260A9920](#) [FCN-268D024-G/2F#10X-R10](#) [PCS-E50FA](#) [PCS-XE26LKA](#)
[PCS-XE26MA+](#) [PCS-XES68MS+](#) [G38A71314B](#) [DX40-50P\(55\)](#) [1571250010](#) [157-22500-3](#) [MS3471L14-19P L/C](#) [1888020-8](#) [91-569786-](#)
[35H](#) [91-569786-35M](#) [91-644626-35P](#) [SM3100F14S-58S](#) [172501-4002](#) [172501-6002](#) [FCN-260C008-A/L0](#) [FCN-260C024-AL0](#) [FCN-](#)
[261Z008](#) [FCN-268D008-G/1K](#) [2000314-1](#) [200331-1](#) [2007498-2](#) [PCR-E28LMDAG1+](#) [PCR-E36FC+](#) [PCS-E28FS+](#) [PCS-XE26SLFD+](#) [PCS-](#)
[XE26SLFDT+](#) [G38A71214B](#) [HDRA-E68W1LFDTC-SL+](#) [HDR-E14MSG1+](#) [R88A-CNK81S](#) [CRT1-ATT02](#) [54182-0605](#) [U90B2054081210](#)
[UE86K842720321](#)