

LOC	DIST	REVISIONS					
GP	00	P	LTN	DESCRIPTION	DATE	DWN	APVD
		F3		REVISED PER ECO-18-008086	24MAY2018	IT	SH

1. MATERIAL:
 CAGE - 0.25mm THICK NICKEL SILVER ALLOY
 HEATSINK - ALUMINUM
 HEATSINK CLIP - STAINLESS STEEL
 EMI SPRING(S) - COPPER ALLOY

2. FINISH:
 HEATSINK - ELECTROLESS NICKEL
 HEATSINK CLIP - PASSIVATE
 EMI SPRING(S) - 0.8um MIN MATTE TIN OVER 0.8um MIN NICKEL,
 NON-PLATED EDGES PERMISSIBLE.

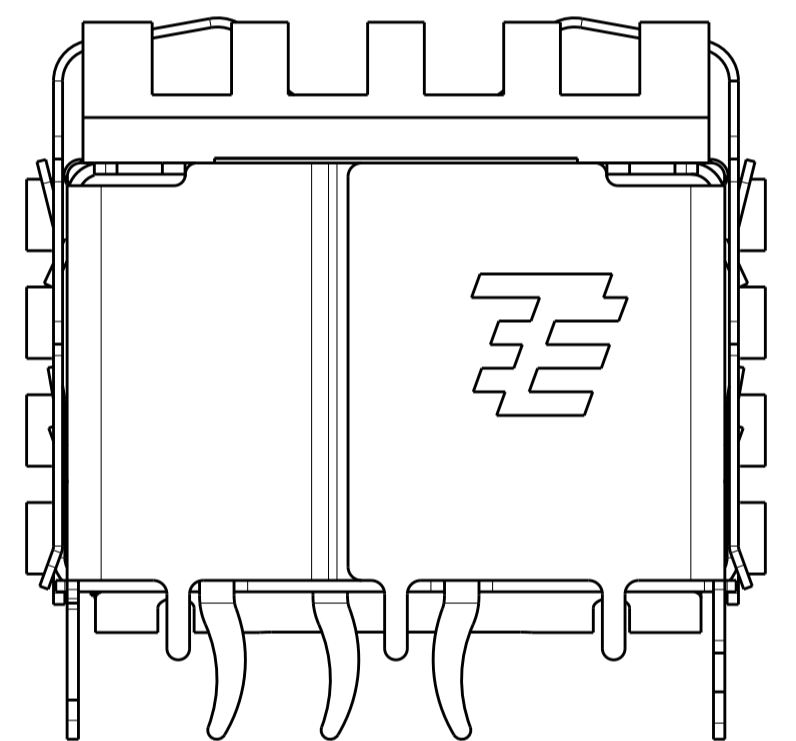
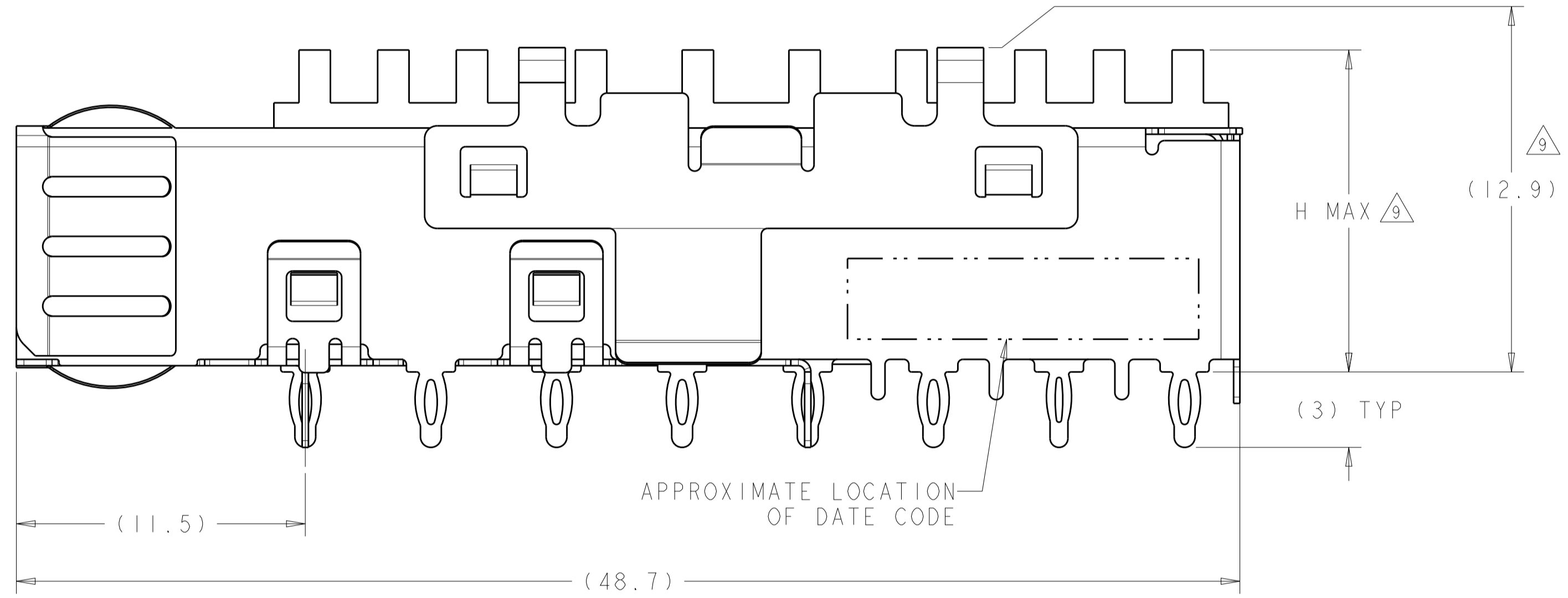
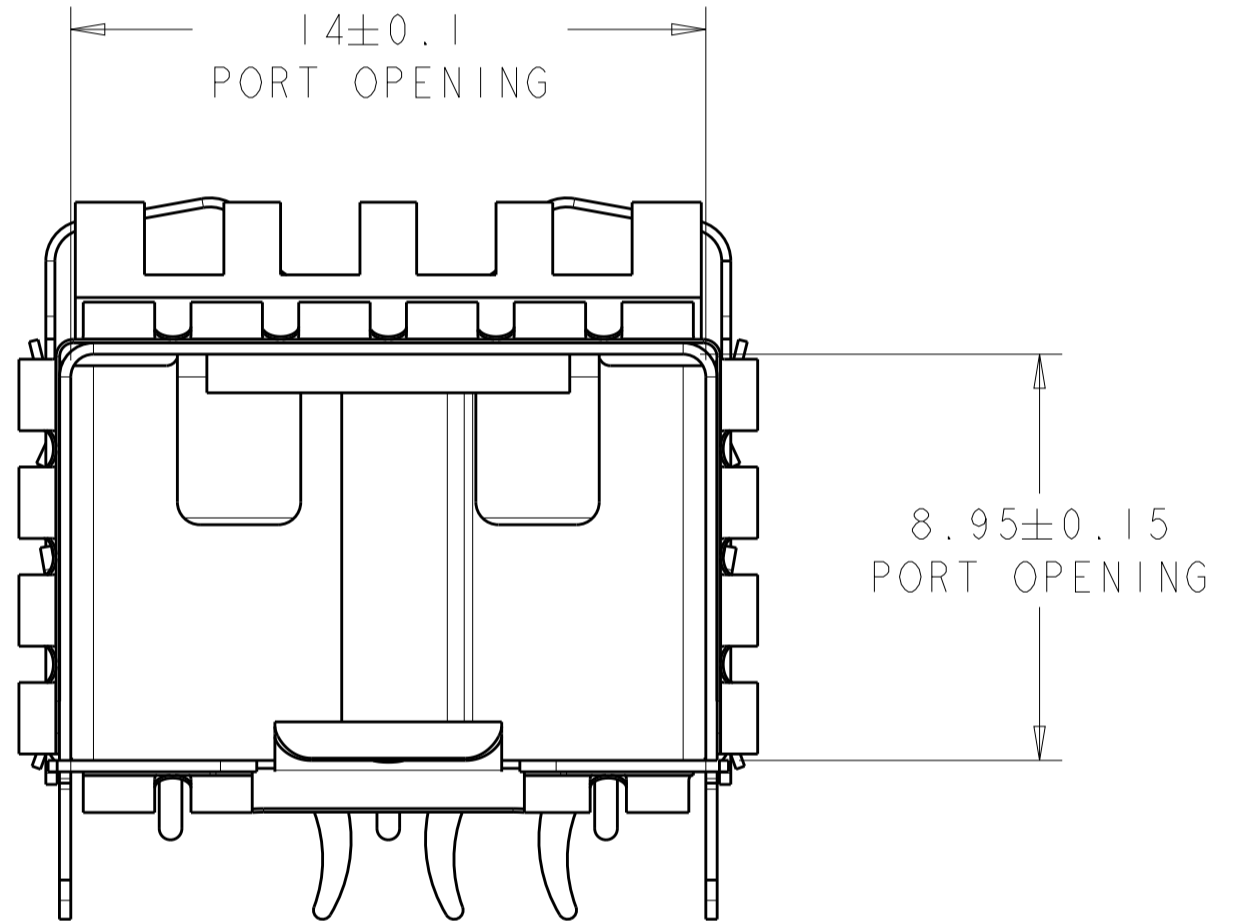
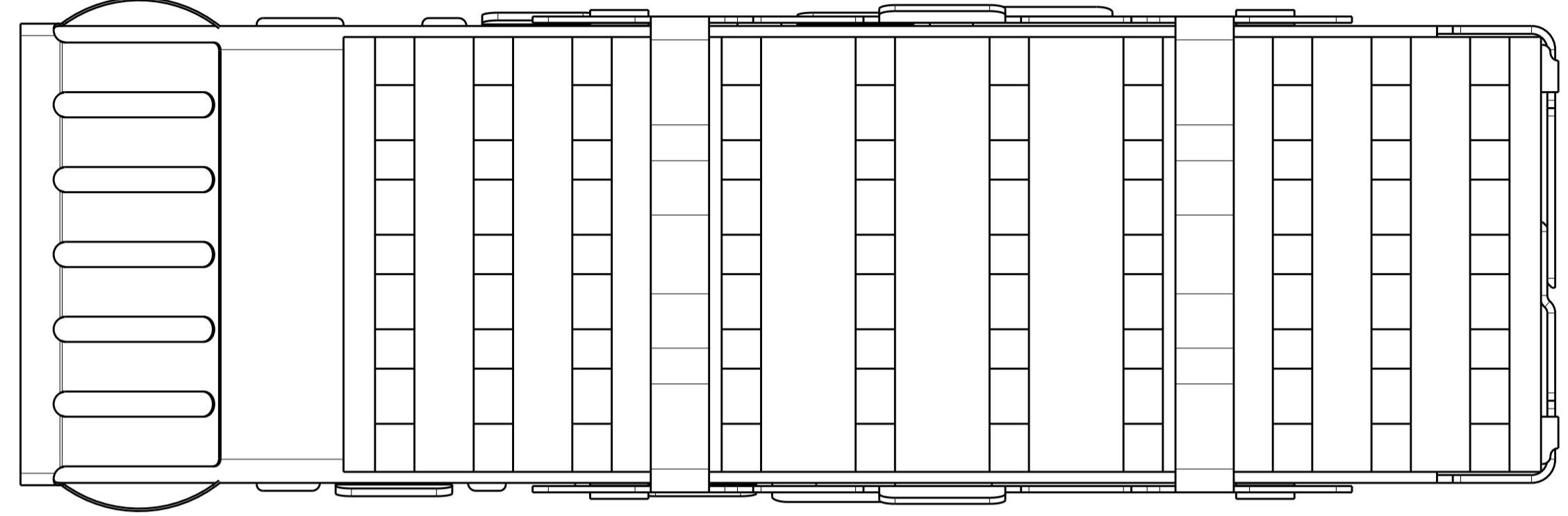
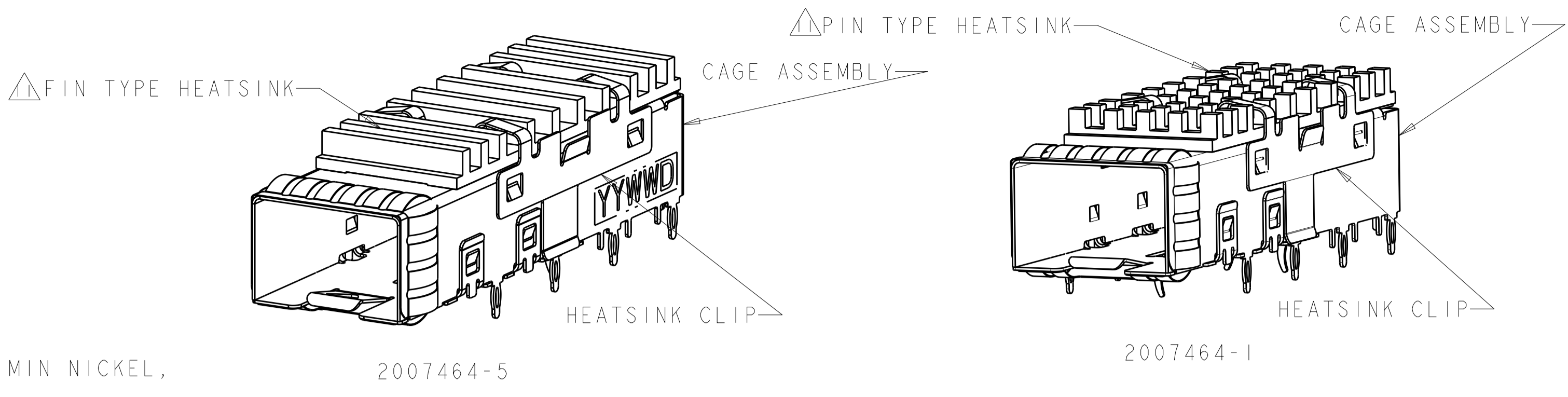
3. MATES WITH SFP MSA COMPLIANT TRANSCEIVERS.

4. PADS AND VIAS CHASSIS GROUND.

5. DATUM AND BASIC DIMENSION ESTABLISHED BY CUSTOMER.

6. MINIMUM PC BOARD THICKNESS:
 SINGLE SIDED = 1.50mm
 DOUBLE SIDED = 3.00mm

7. REFERENCE APPLICATION SPEC. 114-13120, HOLE A, FOR
 RECOMMENDED DRILL HOLE DIAMETER AND PLATING THICKNESS.



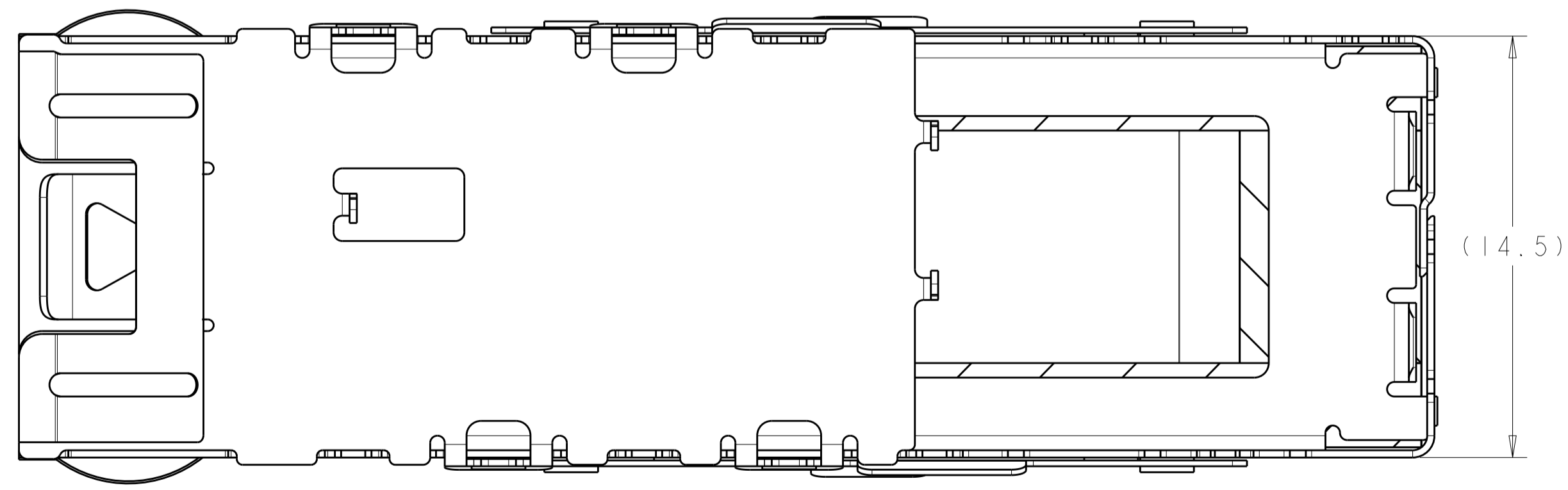
8. REFERENCE APPLICATION SPEC. 114-13120, HOLE C, FOR
 RECOMMENDED DRILL HOLE DIAMETER AND PLATING THICKNESS.

9. DIMENSION APPLIES PRIOR TO INSERTION OF SFP MODULE.

10. CAGE ASSEMBLY, HEATSINK CLIP AND HEATSINK SHIPPED
 ASSEMBLED.

11. HEAT SINK REFERENCE PART NUMBERS:
 1829903-2 = 4.2 HIGH - PCI, PIN TYPE
 1829904-2 = 6.5 HIGH - SAN, PIN TYPE
 1829905-2 = 13.5 HIGH - NETWORKING, PIN TYPE
 2170426-4 = 4.2 HIGH - PCI, PIN TYPE
 2170427-4 = 6.5 HIGH - SAN, PIN TYPE
 2170428-4 = 13.5 HIGH - NETWORKING, PIN TYPE

12. REMOVED



DESCRIPTION	H MAX	APPLICATION	PART NUMBER
W/O INSULATING TAPE	13.5	PCI	2007464-9
W/ INSULATING TAPE	22.8	NETWORKING	2007464-8
W/O INSULATING TAPE	22.8	NETWORKING	2007464-7
W/O INSULATING TAPE	15.8	SAN	2007464-6
W/O INSULATING TAPE	13.5	PCI	2007464-5
W/ INSULATING TAPE	22.8	NETWORKING	2007464-4
W/O INSULATING TAPE	22.8	NETWORKING	2007464-3
W/O INSULATING TAPE	15.8	SAN	2007464-2
W/O INSULATING TAPE	13.5	PCI	2007464-1

THIS DRAWING IS A CONTROLLED DOCUMENT.

DIMENSIONS: mm

TOLERANCES UNLESS OTHERWISE SPECIFIED:

0 PLC	±0.1
1 PLC	±0.1
2 PLC	±0.1
3 PLC	±0.05
4 PLC	±0.05
ANGLES	±0.05

MATERIAL: FINISH:

Customer Drawing

APPROVED:

DATE: 20NOV2007

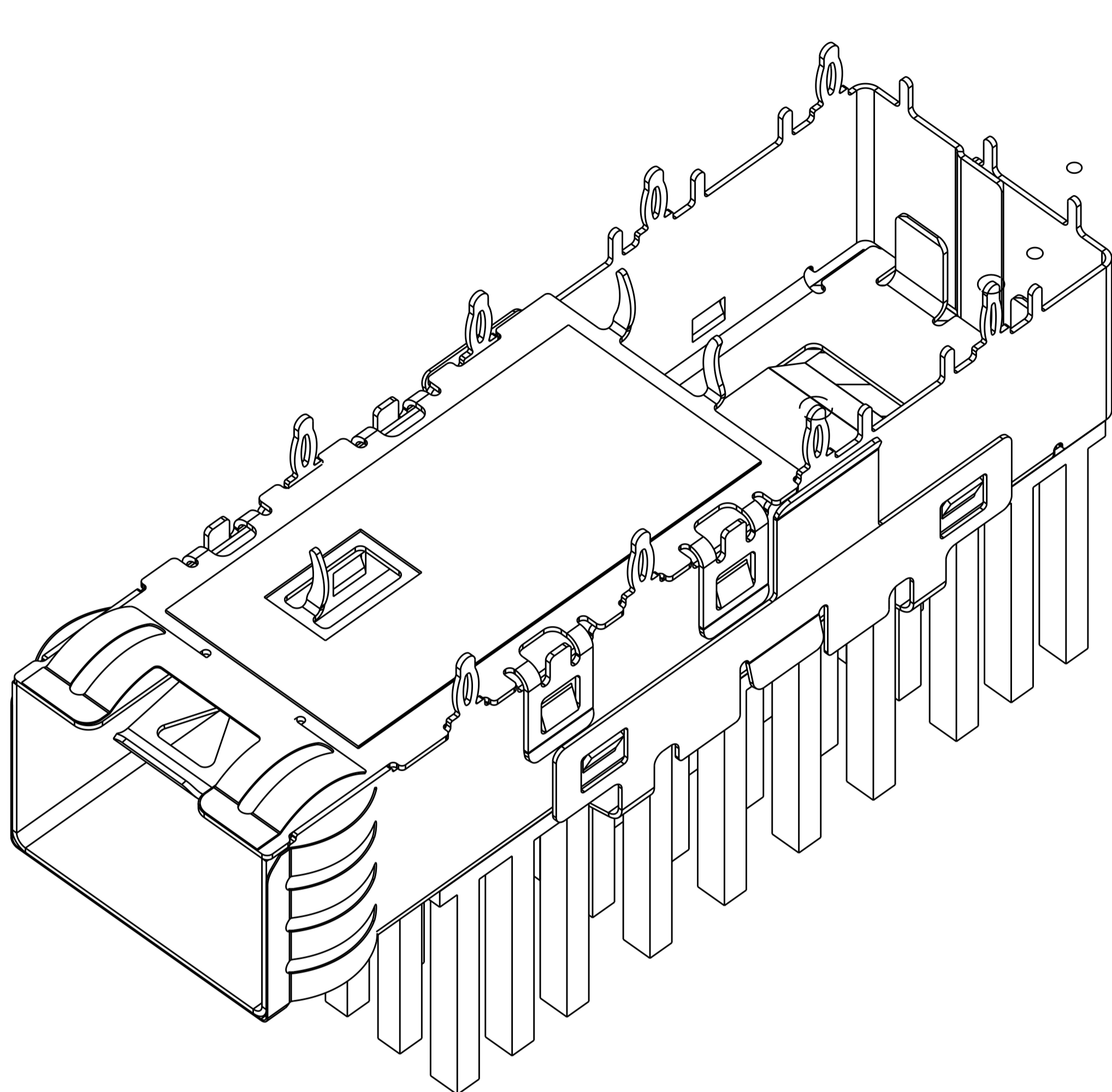
NAME: SFP+ IXI CAGE ASSEMBLY, PRESS-FIT PRESS-FIT, EMI SPRINGS WITH HEATSINK

SIZE: A1 CAGE CODE: 2007464 DRAWING NO: 108-2364 APPLICATION SPEC: 114-13120

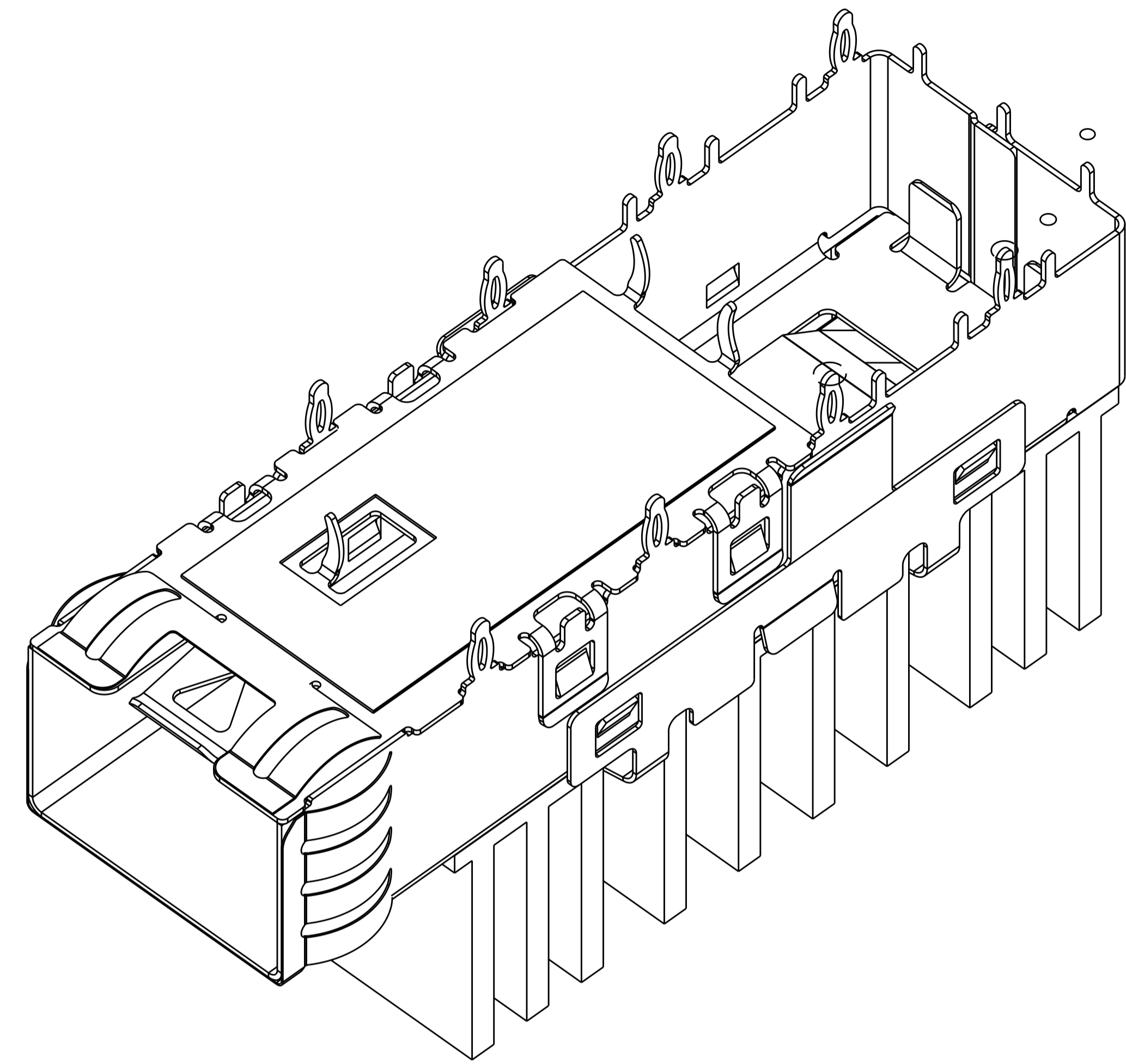
RESTRICTED TO:

SCALE: 6:1 SHEET 1 OF 4 REV: F3

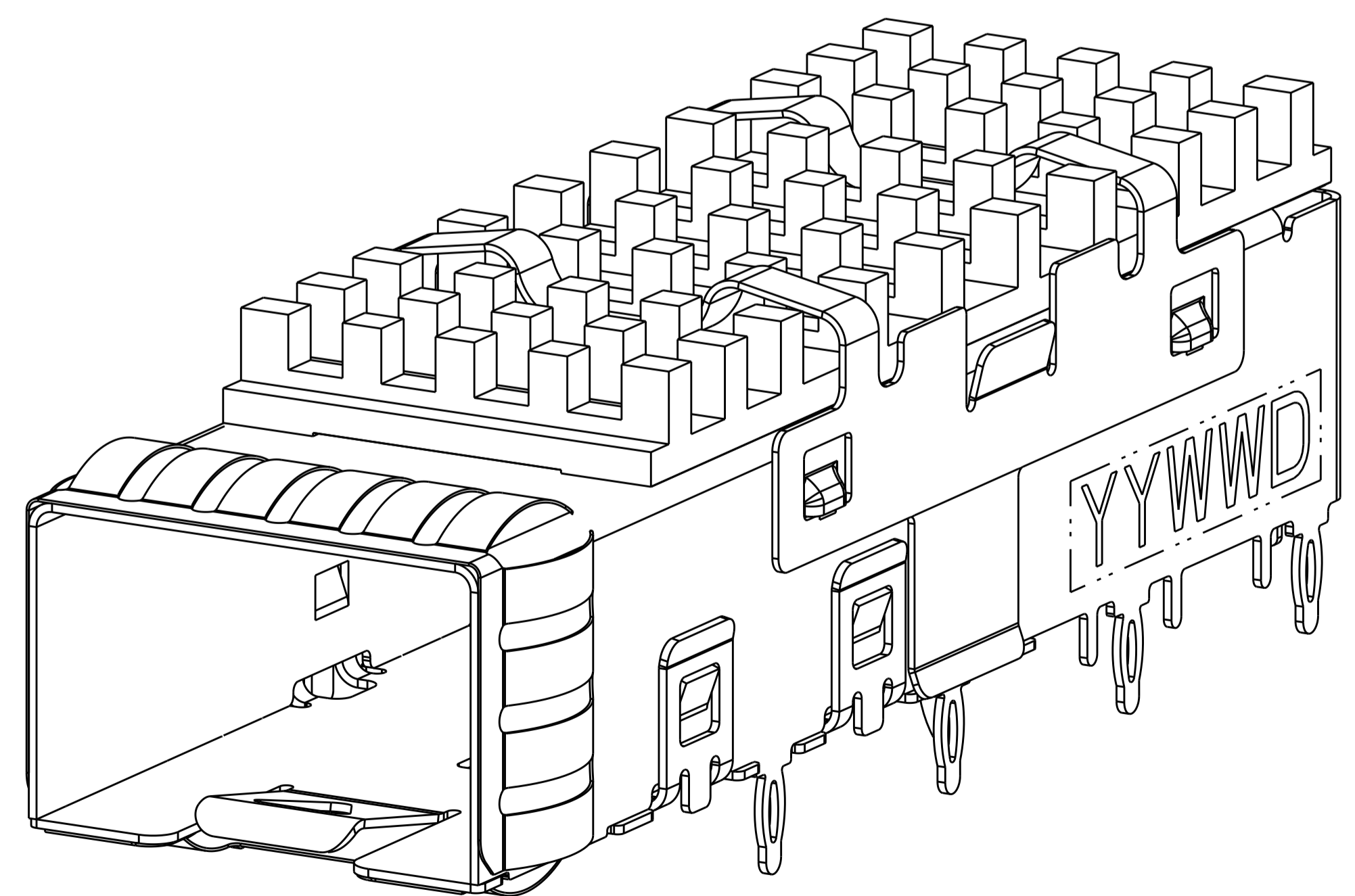
LOC	DIST	REVISIONS					
		P	LYR	DESCRIPTION	DATE	DMN	APVD
GP	00	-	-	SEE SHEET 1	-	-	-



2007464-4 AS SHOWN WITH INSULATING TAPE, PIN TYPE HEAT SINK
 2007464-1,2,3 WITHOUT INSULATING TAPE, TAPE, PIN TYPE HEAT SINK



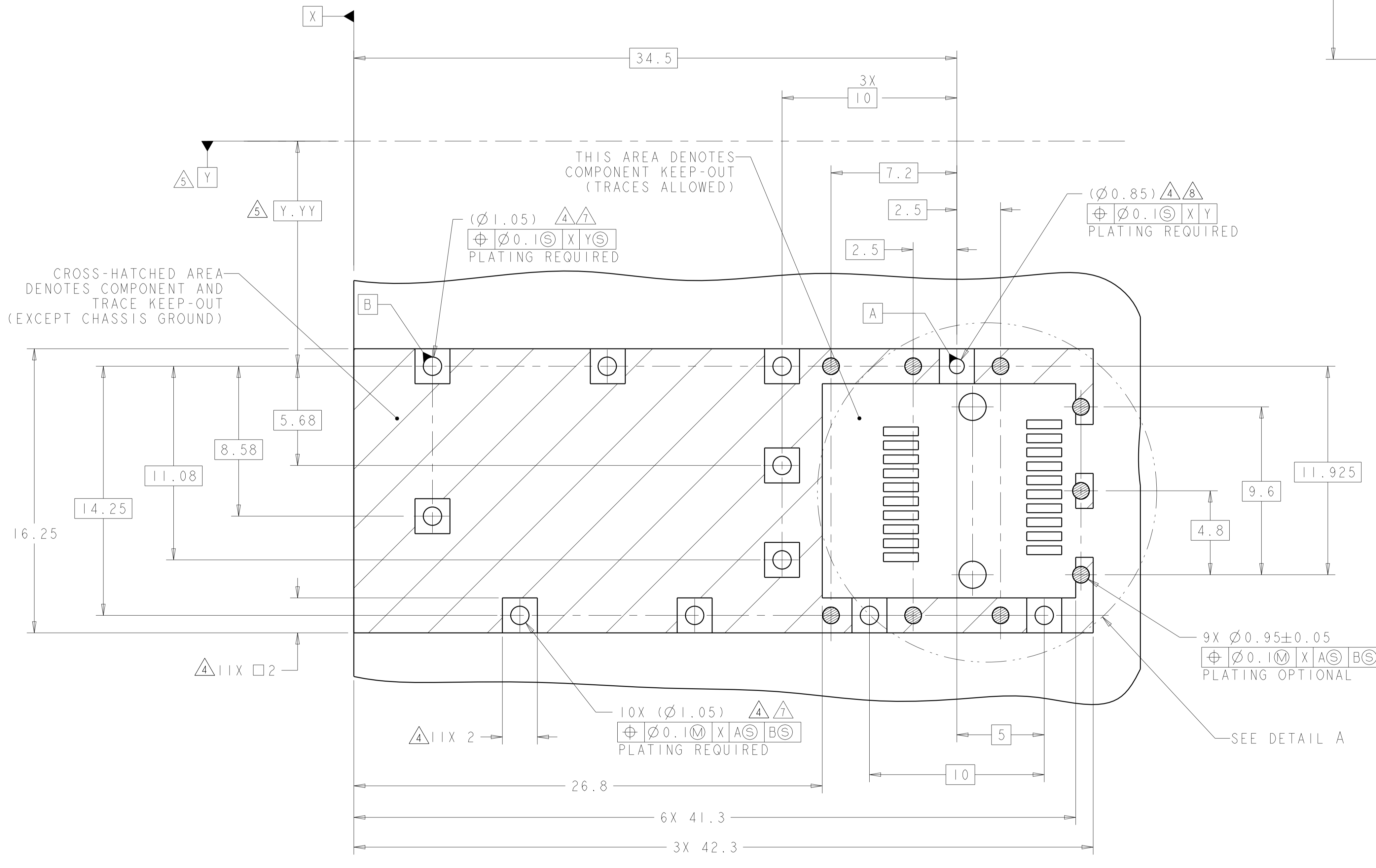
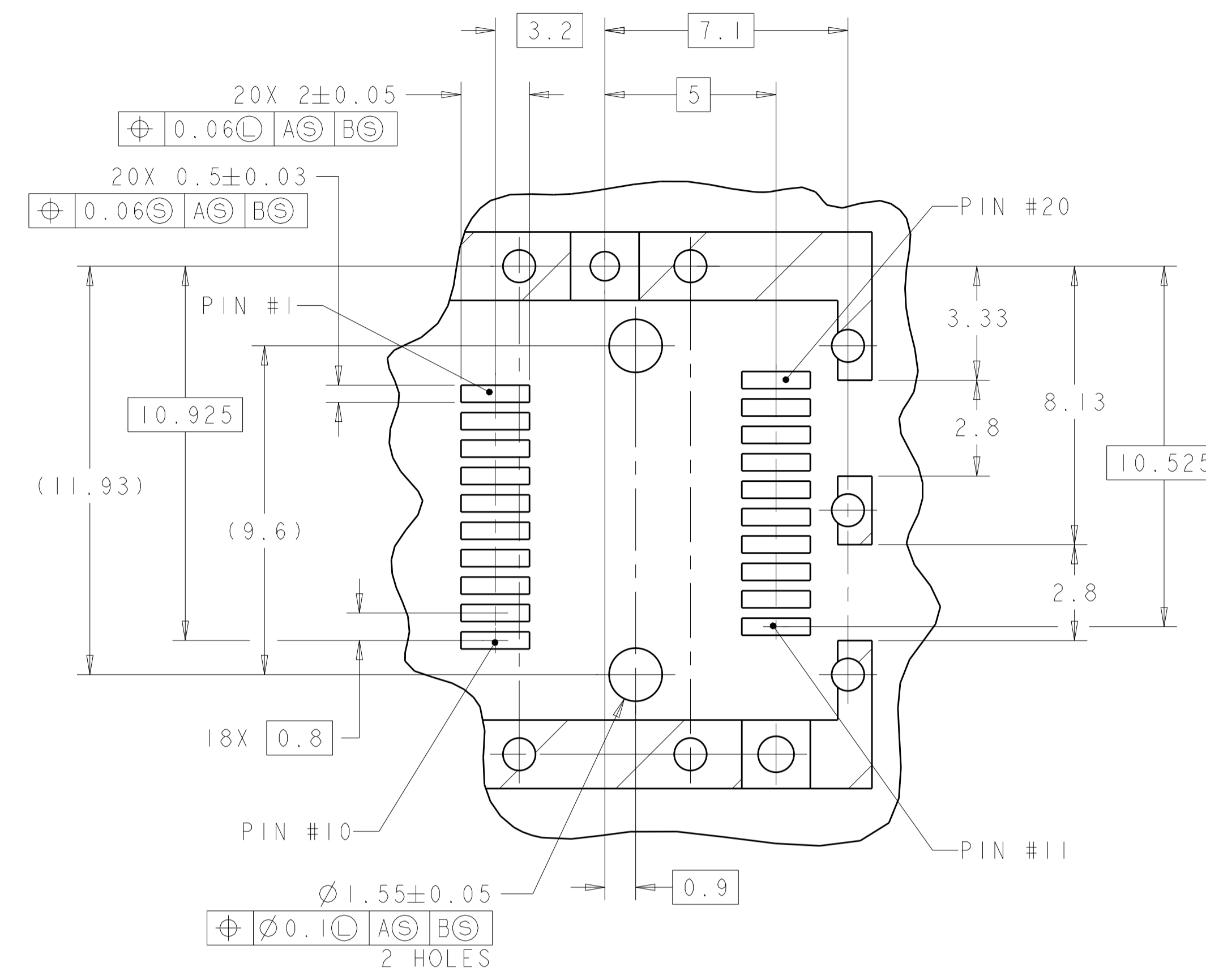
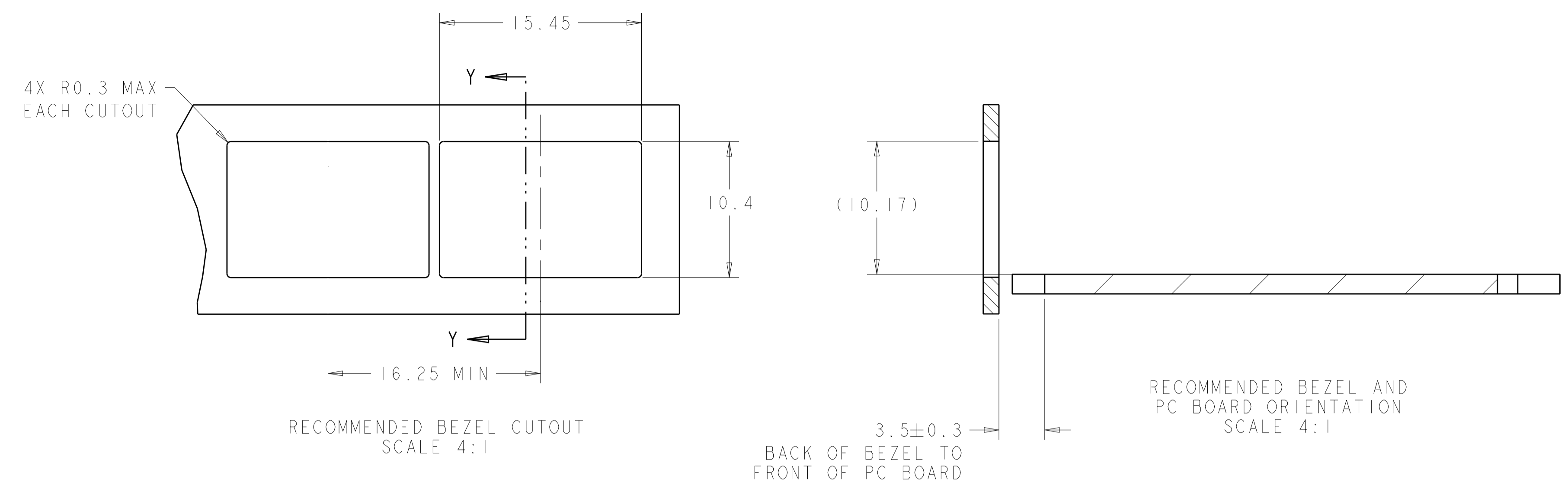
2007464-8 AS SHOWN WITH INSULATING TAPE, WITH FIN TYPE HEAT SINK
 2007464-5,6,7 WITHOUT INSULATING TAPE, WITH FIN TYPE HEAT SINK



2007464-9 AS SHOWN

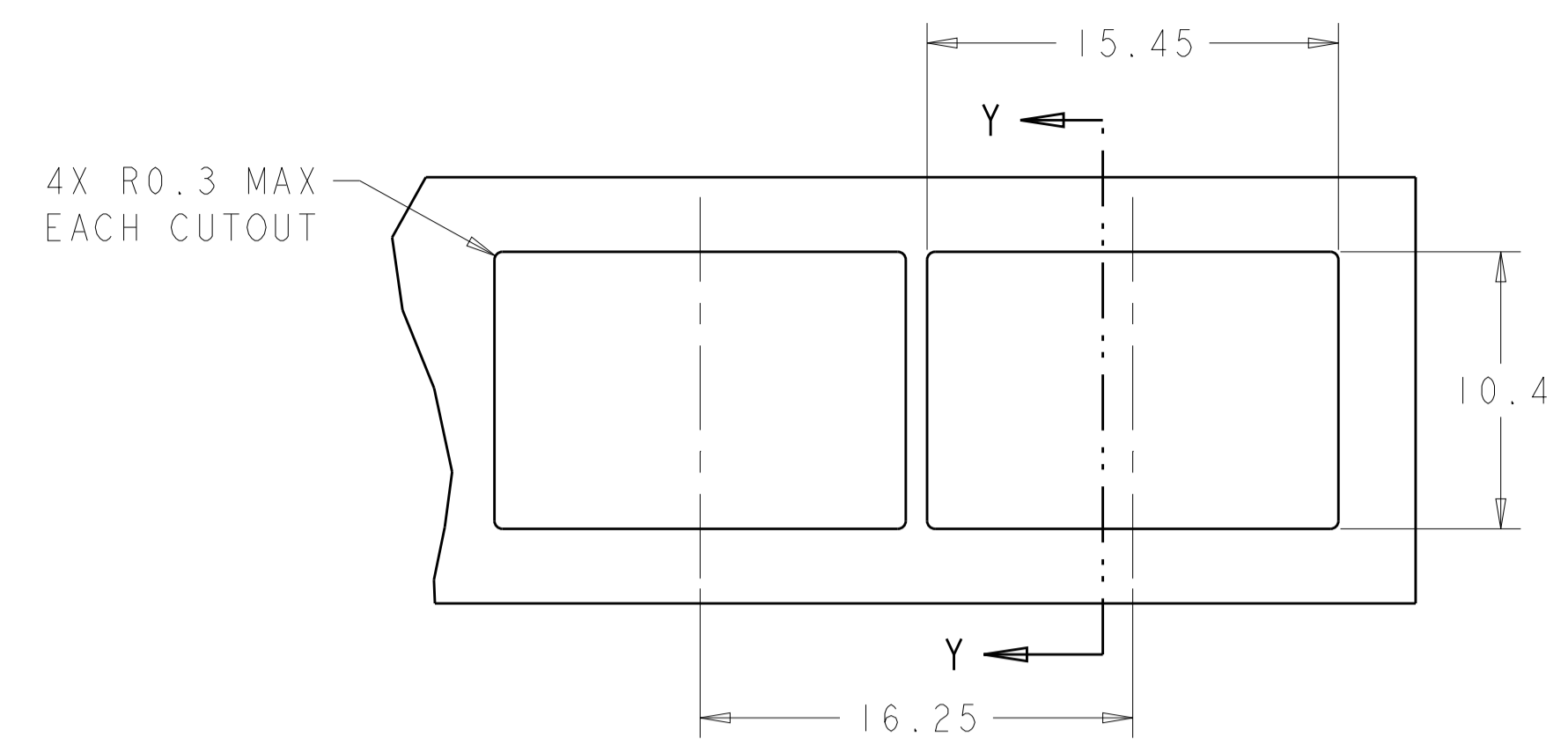
THIS DRAWING IS A CONTROLLED DOCUMENT.		DMN Z. M. REAM	20NOV2007	TE Connectivity
DIMENSIONS:		CHK M. R. SCHMITZ	20NOV2007	
mm	TOLERANCES UNLESS OTHERWISE SPECIFIED:	APVD R. H. WERTZ	20NOV2007	NAME SFP+ 1X1 CAGE ASSEMBLY, PRESS-FIT PRESS-FIT, EMI SPRINGS WITH HEATSINK
	0 PLC ±0.1	PRODUCT SPEC		SIZE CAGE CODE DRAWING NO
	1 PLC ±0.1	108-2364		A100779C=2007464
	2 PLC ±0.1	APPLICATION SPEC		RESTRICTED TO
	3 PLC ±0.05	114-13120		
	4 PLC ±0.05	WEIGHT		
	ANGLES ±0.05	Customer Drawing		SCALE 2 SHEET 2 OF 4 REV F3
MATERIAL	FINISH			

LOC	DIST	REVISIONS		
GP	00	REV	DATE	APPROV
		-	SEE SHEET 1	-

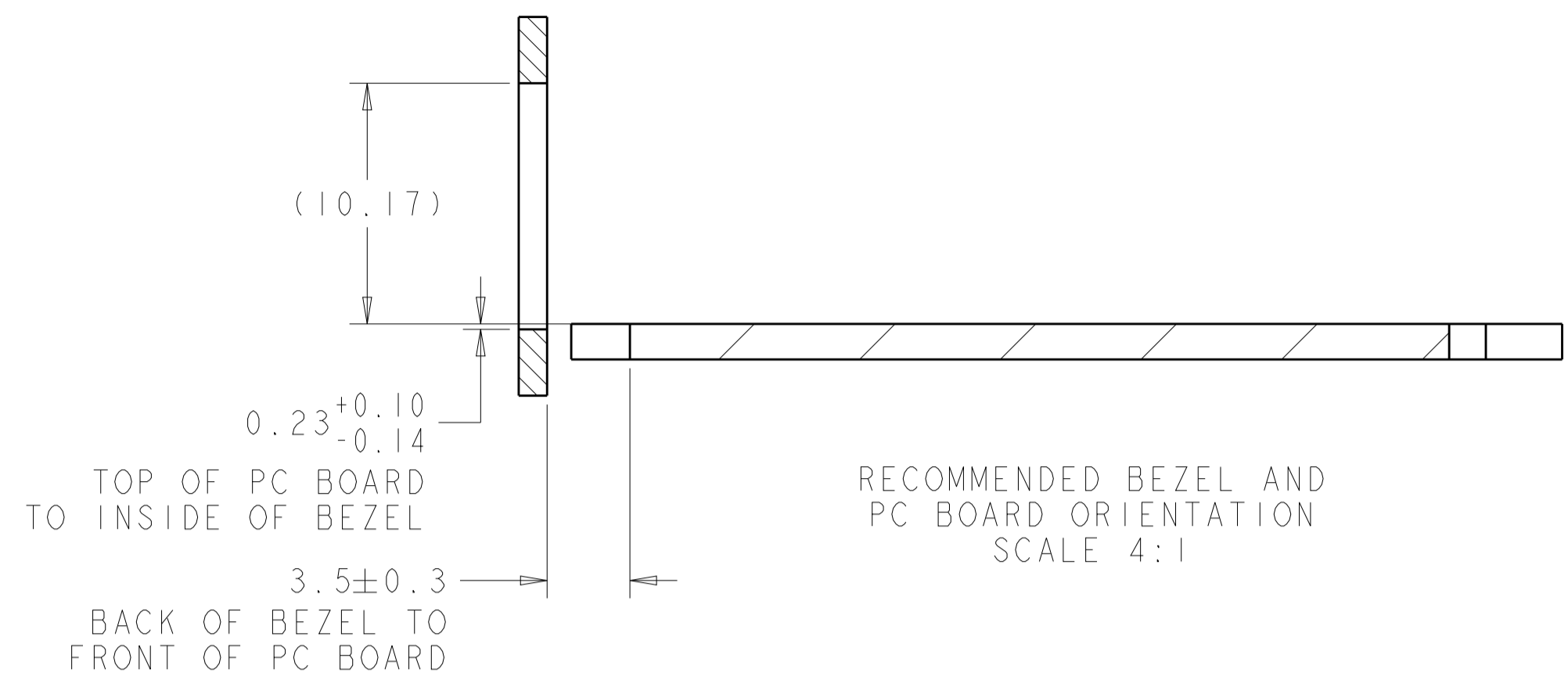


THIS DRAWING IS A CONTROLLED DOCUMENT.		OWN Z.M.BEAM 20NOV2007	<p>TE Connectivity</p>
DIMENSIONS: mm		CHK M.B.SCHMITZ 20NOV2007	
		APPR B.H.WERTZ 20NOV2007	
TOLERANCES UNLESS OTHERWISE SPECIFIED:		PRODUCT SPEC 108-2364	NAME SFP+ IXI CAGE ASSEMBLY, PRESS-FIT PRESS-FIT, EMI SPRINGS WITH HEATSINK
0 PLC ±0.1 1 PLC ±0.1 2 PLC ±0.1 3 PLC ±0.05 4 PLC ±0.05 ANGLES ±0.05		APPLICATION SPEC 114-13120	SIZE CAGE CODE DRAWING NO RESTRICTED TO
MATERIAL FINISH		WEIGHT	A100779C=2007464
		Customer Drawing	SCALE 2 SHEET 3 OF 4 REV F3

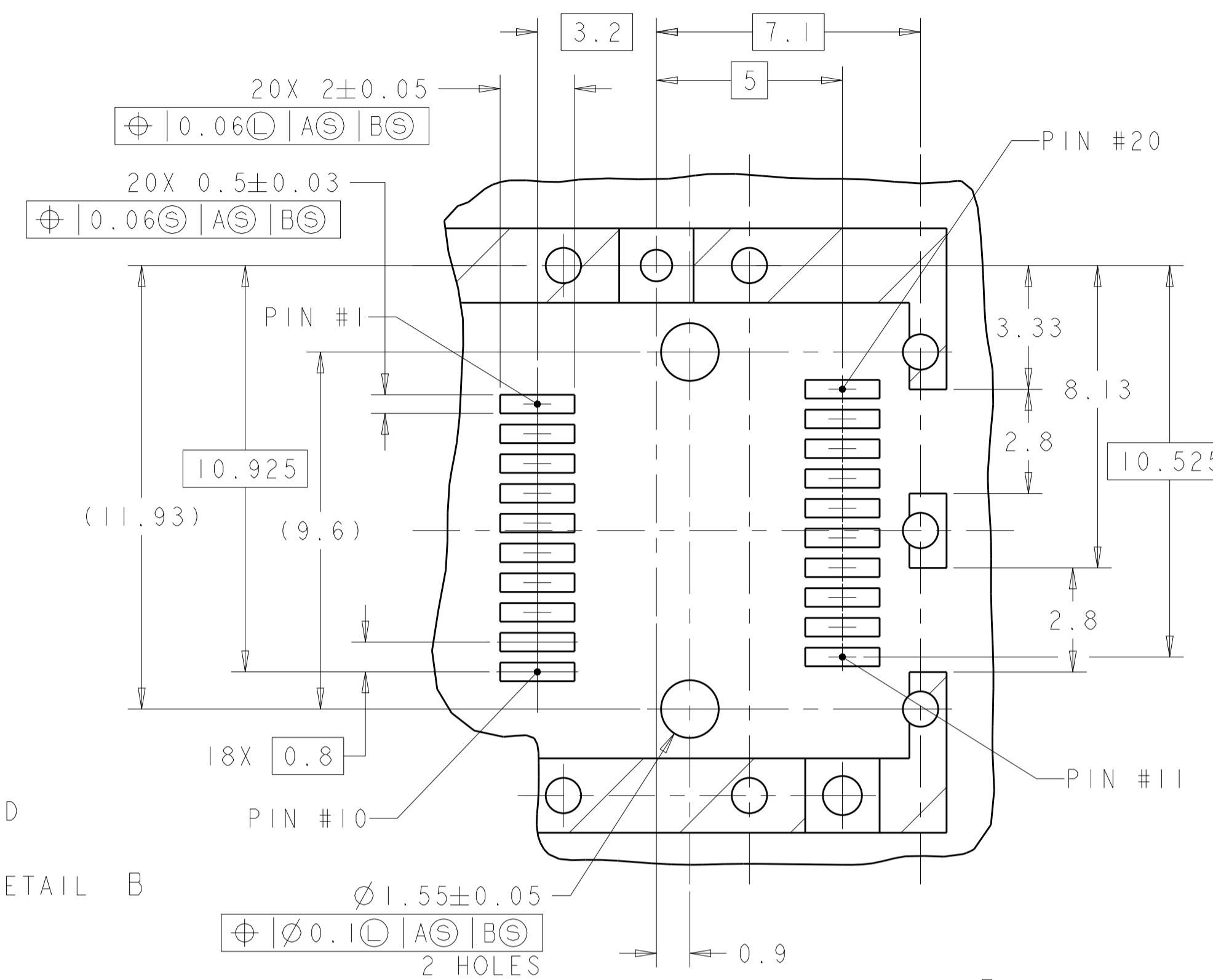
LOC	DIST	REV	DATE	APPD	APVD
GP	00				
P LTH		REVISIONS			
-		DESCRIPTION	DATE	OWN	APVD
-		SEE SHEET 1	-	-	-



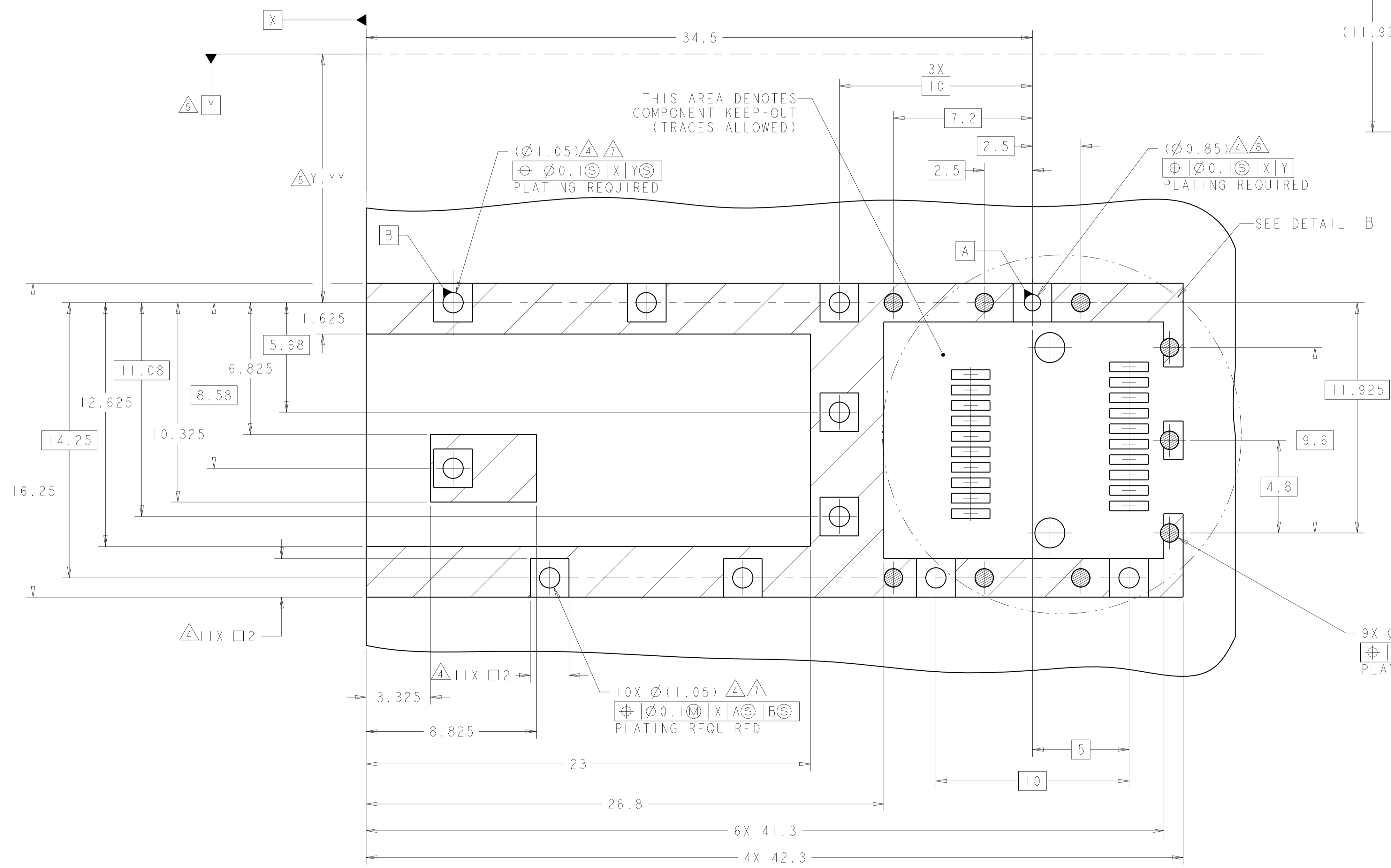
RECOMMENDED BEZEL CUTOUT
SCALE 4:1



RECOMMENDED BEZEL AND
PC BOARD ORIENTATION
SCALE 4:1



DETAIL B
SCALE 8:1



RECOMMENDED PCB LAYOUT FOR WITH
INSULATING TAPE PART
SCALE 8:1

THIS DRAWING IS A CONTROLLED DOCUMENT.		OWN: Z.M.BEAM 20NOV2007	TE Connectivity
DIMENSIONS: mm		CHK: M.R.SCHMITZ 20NOV2007	
TOLERANCES UNLESS OTHERWISE SPECIFIED:		APVD: B.H.WERTZ 20NOV2007	NAME: SFP+ IXI CAGE ASSEMBLY, PRESS-FIT PRESS-FIT, EMI SPRINGS WITH HEATSINK
0 PLC ±0.1	1 PLC ±0.1	PRODUCT SPEC: 108-2364	SIZE: A100779C=2007464
2 PLC ±0.1	3 PLC ±0.05	APPLICATION SPEC: 114-13120	RESTRICTED TO: -
4 PLC ±0.05	ANGLES ±0.05	WEIGHT: -	SCALE: 2 SHEET 4 OF 4 REV: F3
MATERIAL: FINISH:		Customer Drawing	

X-ON Electronics

Largest Supplier of Electrical and Electronic Components

Click to view similar products for [I/O Connectors](#) category:

Click to view products by [TE Connectivity](#) manufacturer:

Other Similar products are found below :

[571763P](#) [58098-0628](#) [72.250.1628.2](#) [72.250.2428.2](#) [74720-0505](#) [76.350.0729.0](#) [76871-1403](#) [FCN-244F080-G/1](#) [FCN-260A9920](#) [PCR-E36PM](#) [PCS-XE26MA+](#) [G38A71314B](#) [1571250010](#) [157-22500-3](#) [MS3471L14-19P L/C](#) [172501-4002](#) [172501-6002](#) [FCN-260C008-A/L0](#) [FCN-260C024-AL0](#) [FCN-261Z008](#) [2000314-1](#) [200331-1](#) [PCR-E36FC+](#) [PCS-E28FS+](#) [PCS-XE26SLFD+](#) [PCS-XE26SLFDT+](#) [G730VID08BDC24](#) [U90B2054081210](#) [38113800006](#) [DP3AR020WQ1R200](#) [Z4.102.0680.0](#) [500-1040](#) [500-1052](#) [500-1054](#) [ZP-4008-66L](#) [0709821002](#) [DX40-20P\(55\)](#) [5554841-1](#) [MS3474W18-8P-LC*](#) [U90B3054061110](#) [U65-E04-4020](#) [ZPF000000000097891](#) [747360449](#) [10099439-003C-TRLF](#) [10137239-0021LF](#) [E9320-001-01](#) [10137239-0011LF](#) [70289-001LF](#) [70.060.1028.0](#) [109029-ZZ](#)