

LOC	DIST	REVISIONS					
GP	00	P	LTN	DESCRIPTION	DATE	DWN	APVD
		F3		REVISED PER ECO-18-008086	24MAY2018	IT	SH

1. MATERIAL:  
 CAGE - 0.25mm THICK NICKEL SILVER ALLOY  
 HEATSINK - ALUMINUM  
 HEATSINK CLIP - STAINLESS STEEL  
 EMI SPRING(S) - COPPER ALLOY

2. FINISH:  
 HEATSINK - ELECTROLESS NICKEL  
 HEATSINK CLIP - PASSIVATE  
 EMI SPRING(S) - 0.8um MIN MATTE TIN OVER 0.8um MIN NICKEL,  
 NON-PLATED EDGES PERMISSIBLE.

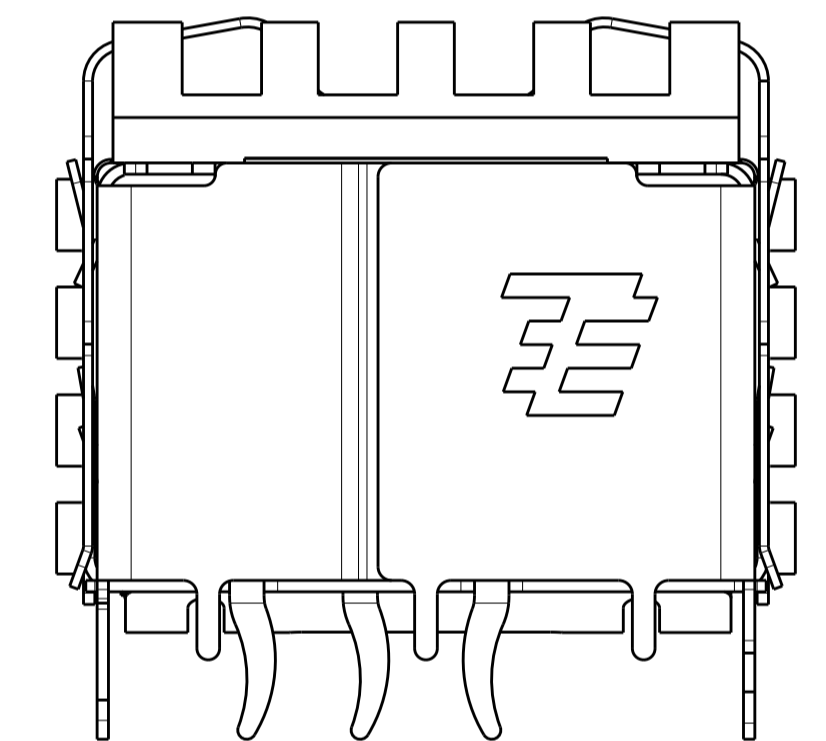
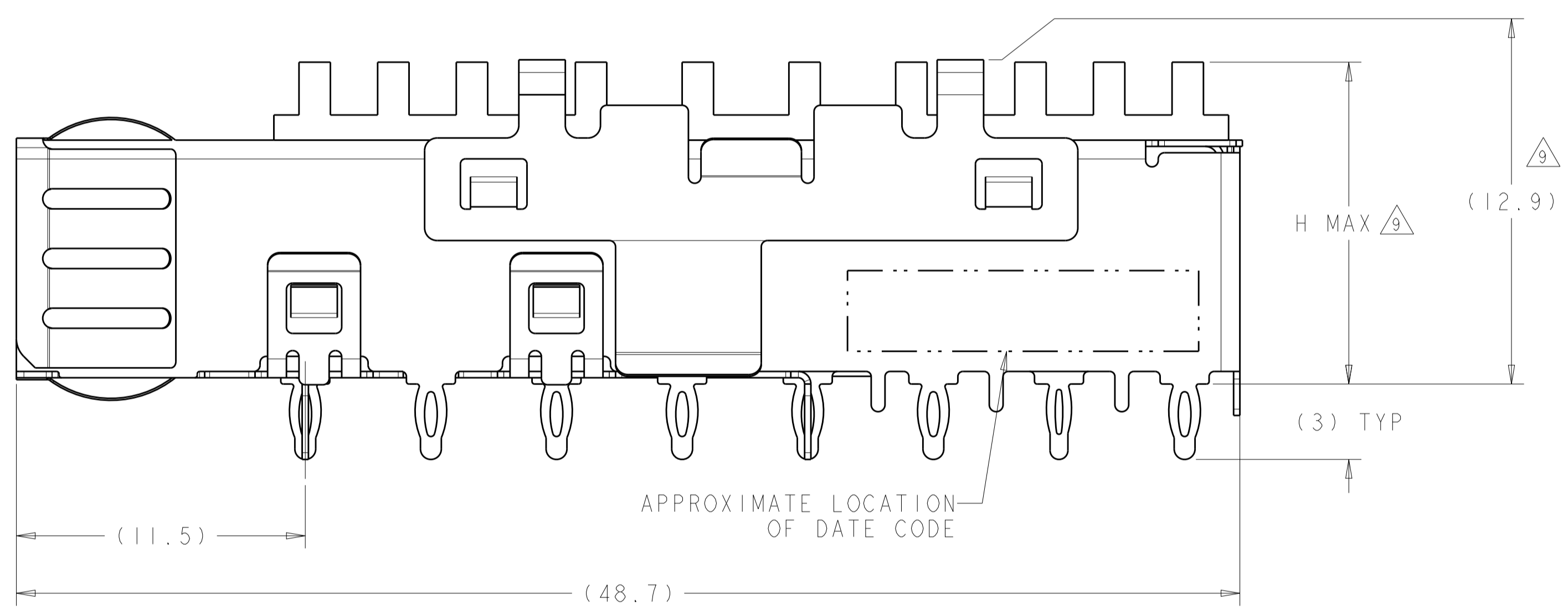
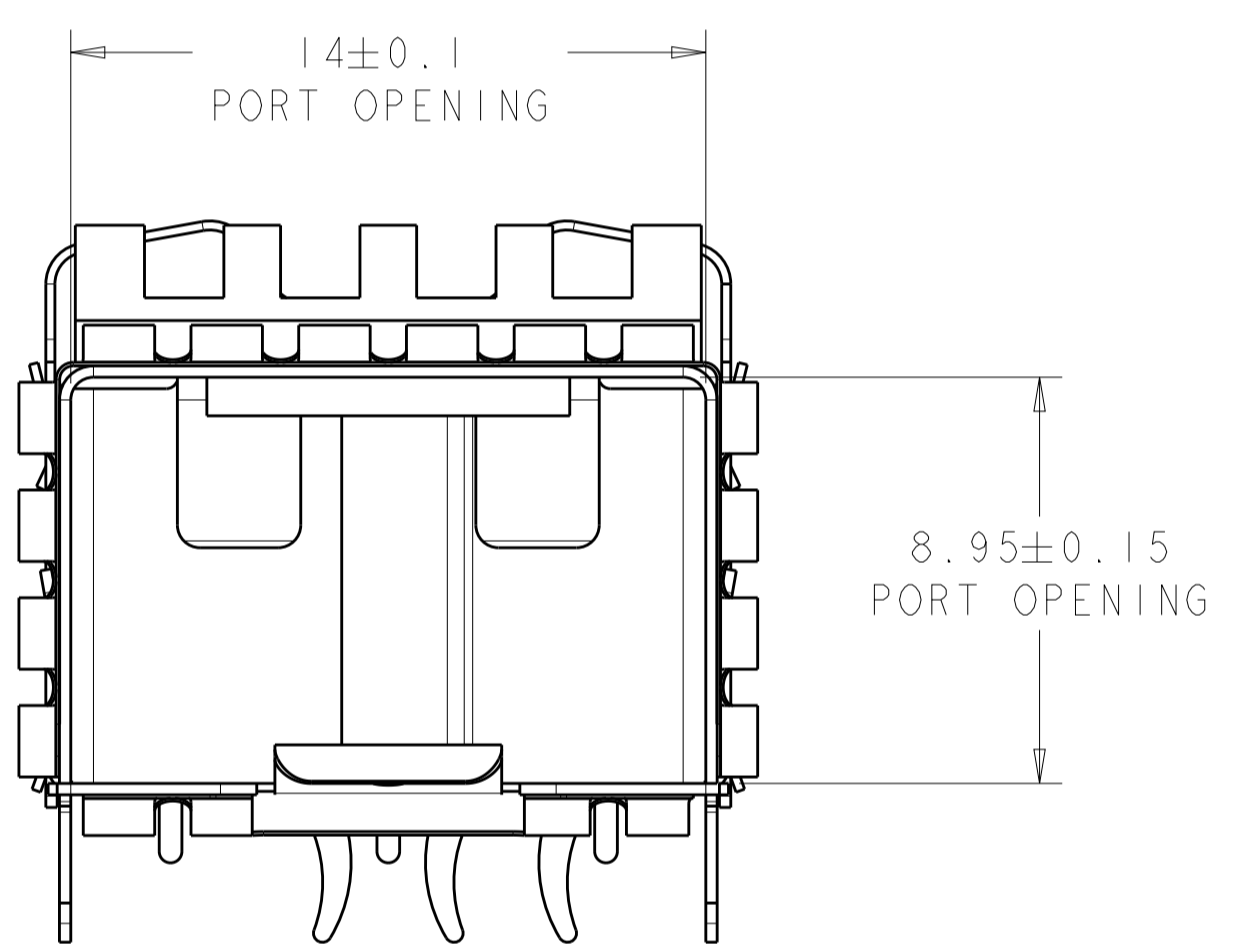
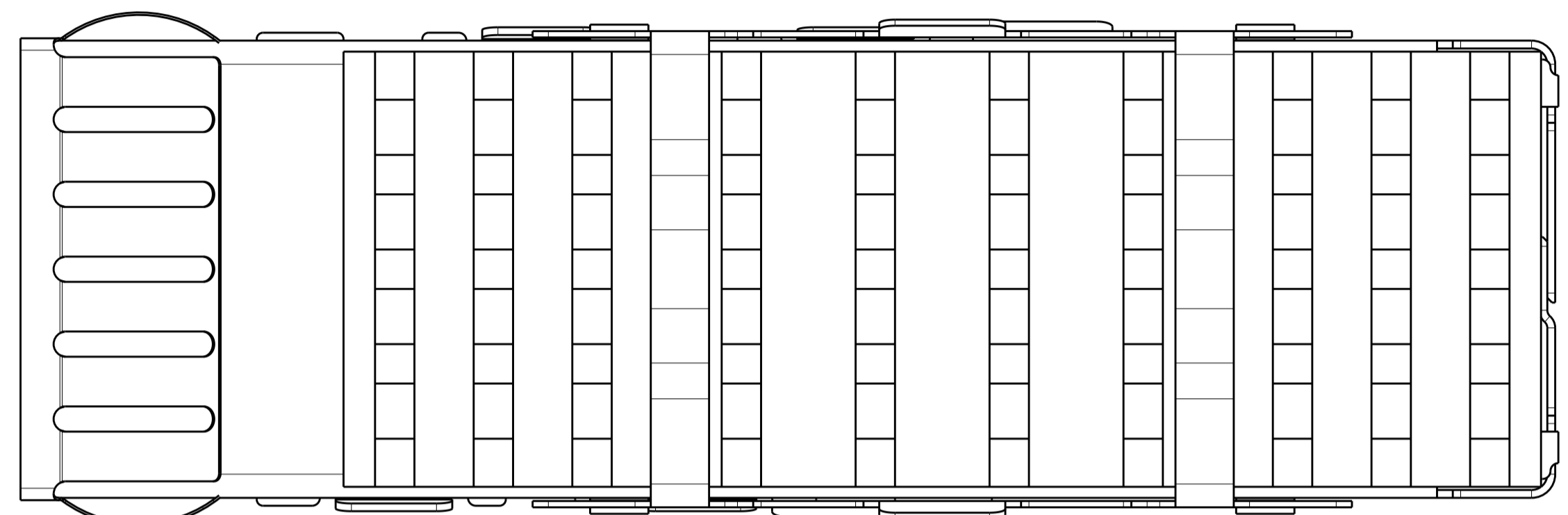
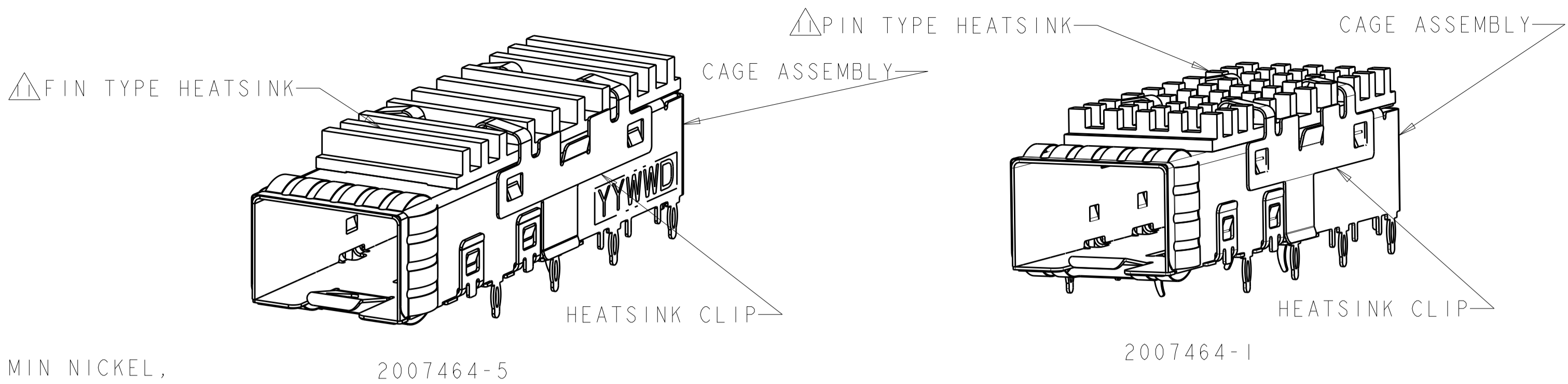
3. MATES WITH SFP MSA COMPLIANT TRANSCEIVERS.

4. PADS AND VIAS CHASSIS GROUND.

5. DATUM AND BASIC DIMENSION ESTABLISHED BY CUSTOMER.

6. MINIMUM PC BOARD THICKNESS:  
 SINGLE SIDED = 1.50mm  
 DOUBLE SIDED = 3.00mm

7. REFERENCE APPLICATION SPEC. 114-13120, HOLE A, FOR  
 RECOMMENDED DRILL HOLE DIAMETER AND PLATING THICKNESS.



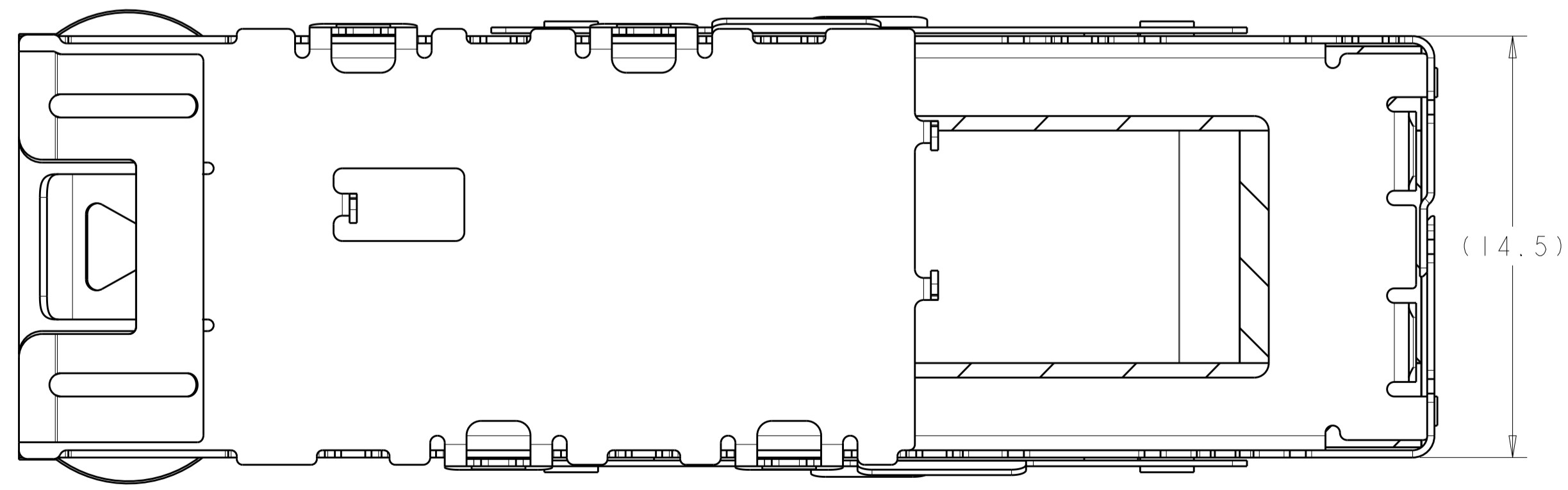
8. REFERENCE APPLICATION SPEC. 114-13120, HOLE C, FOR  
 RECOMMENDED DRILL HOLE DIAMETER AND PLATING THICKNESS.

9. DIMENSION APPLIES PRIOR TO INSERTION OF SFP MODULE.

10. CAGE ASSEMBLY, HEATSINK CLIP AND HEATSINK SHIPPED  
 ASSEMBLED.

11. HEAT SINK REFERENCE PART NUMBERS:  
 1829903-2 = 4.2 HIGH - PCI, PIN TYPE  
 1829904-2 = 6.5 HIGH - SAN, PIN TYPE  
 1829905-2 = 13.5 HIGH - NETWORKING, PIN TYPE  
 2170426-4 = 4.2 HIGH - PCI, PIN TYPE  
 2170427-4 = 6.5 HIGH - SAN, PIN TYPE  
 2170428-4 = 13.5 HIGH - NETWORKING, PIN TYPE

12. REMOVED



DESCRIPTION	H MAX	APPLICATION	PART NUMBER
W/O INSULATING TAPE	13.5	PCI	2007464-9
W/ INSULATING TAPE	22.8	NETWORKING	2007464-8
W/O INSULATING TAPE	22.8	NETWORKING	2007464-7
W/O INSULATING TAPE	15.8	SAN	2007464-6
W/O INSULATING TAPE	13.5	PCI	2007464-5
W/ INSULATING TAPE	22.8	NETWORKING	2007464-4
W/O INSULATING TAPE	22.8	NETWORKING	2007464-3
W/O INSULATING TAPE	15.8	SAN	2007464-2
W/O INSULATING TAPE	13.5	PCI	2007464-1

THIS DRAWING IS A CONTROLLED DOCUMENT.

DIMENSIONS: mm

TOLERANCES UNLESS OTHERWISE SPECIFIED:

0 PLC	±0.1
1 PLC	±0.1
2 PLC	±0.1
3 PLC	±0.05
4 PLC	±0.05
ANGLES	±0.05

MATERIAL:

FINISH:

Customer Drawing

DWN: Z.M.BEAM 20NOV2007  
 CHG: M.R.SCHMITZ 20NOV2007  
 APVD: B.H.WERTZ 20NOV2007

NAME: SFP+ IXI CAGE ASSEMBLY, PRESS-FIT PRESS-FIT, EMI SPRINGS WITH HEATSINK

PRODUCT SPEC: 108-2364  
 APPLICATION SPEC: 114-13120

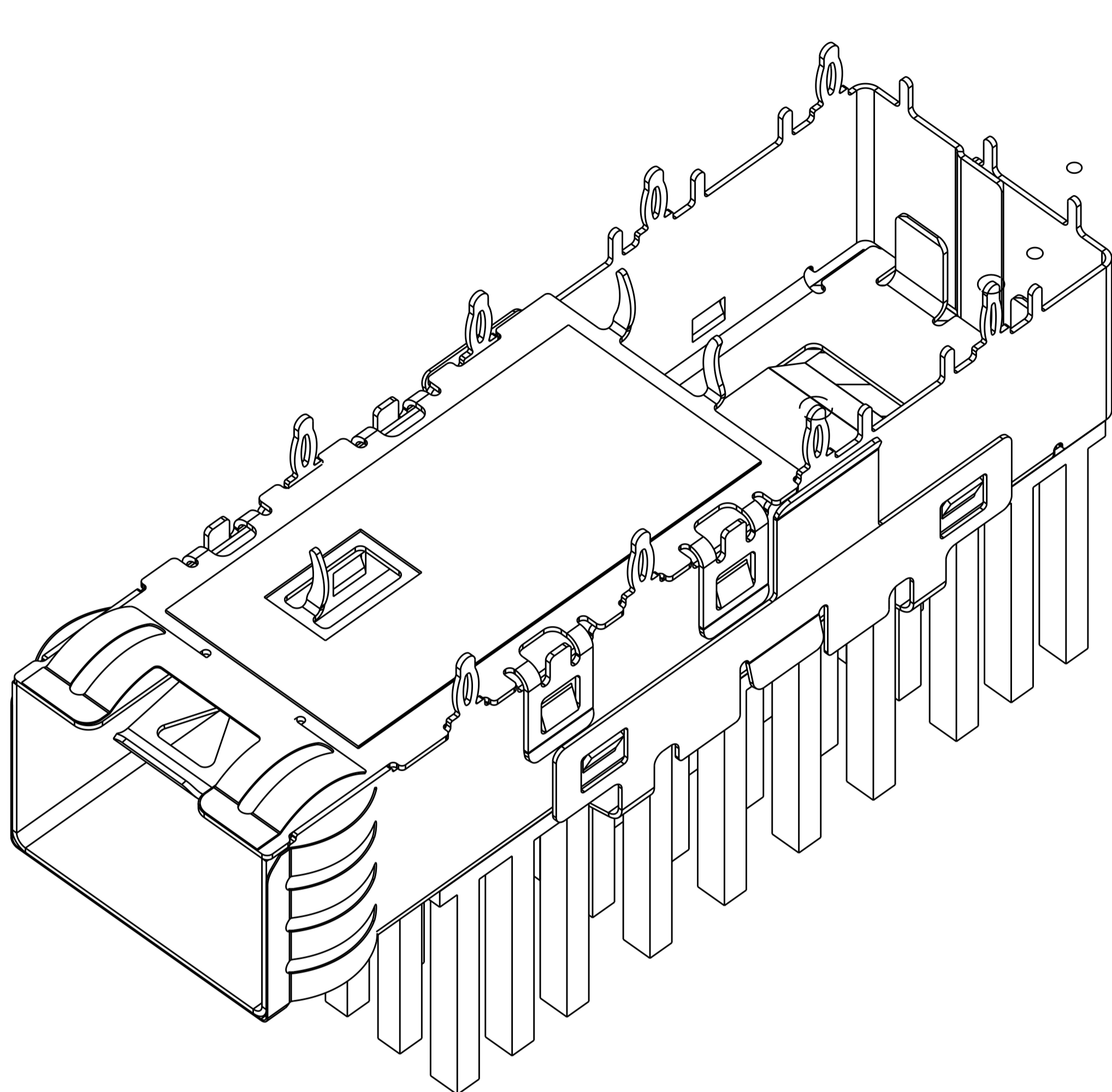
SIZE: A1  
 CAGE CODE: 00779  
 DRAWING NO: 2007464

RESTRICTED TO: -

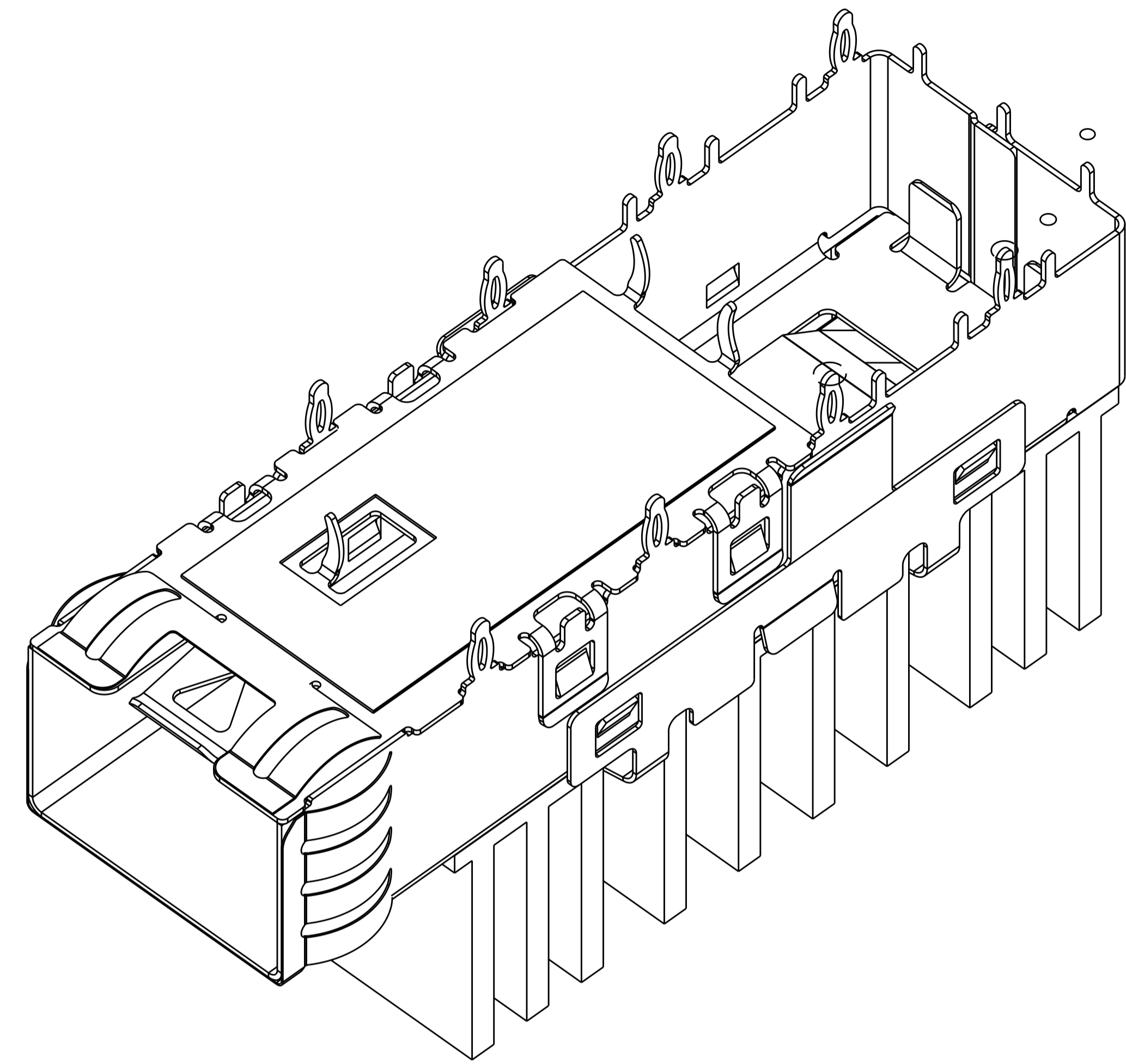
SCALE: 6:1 SHEET 1 OF 4 REV: F3

TE Connectivity

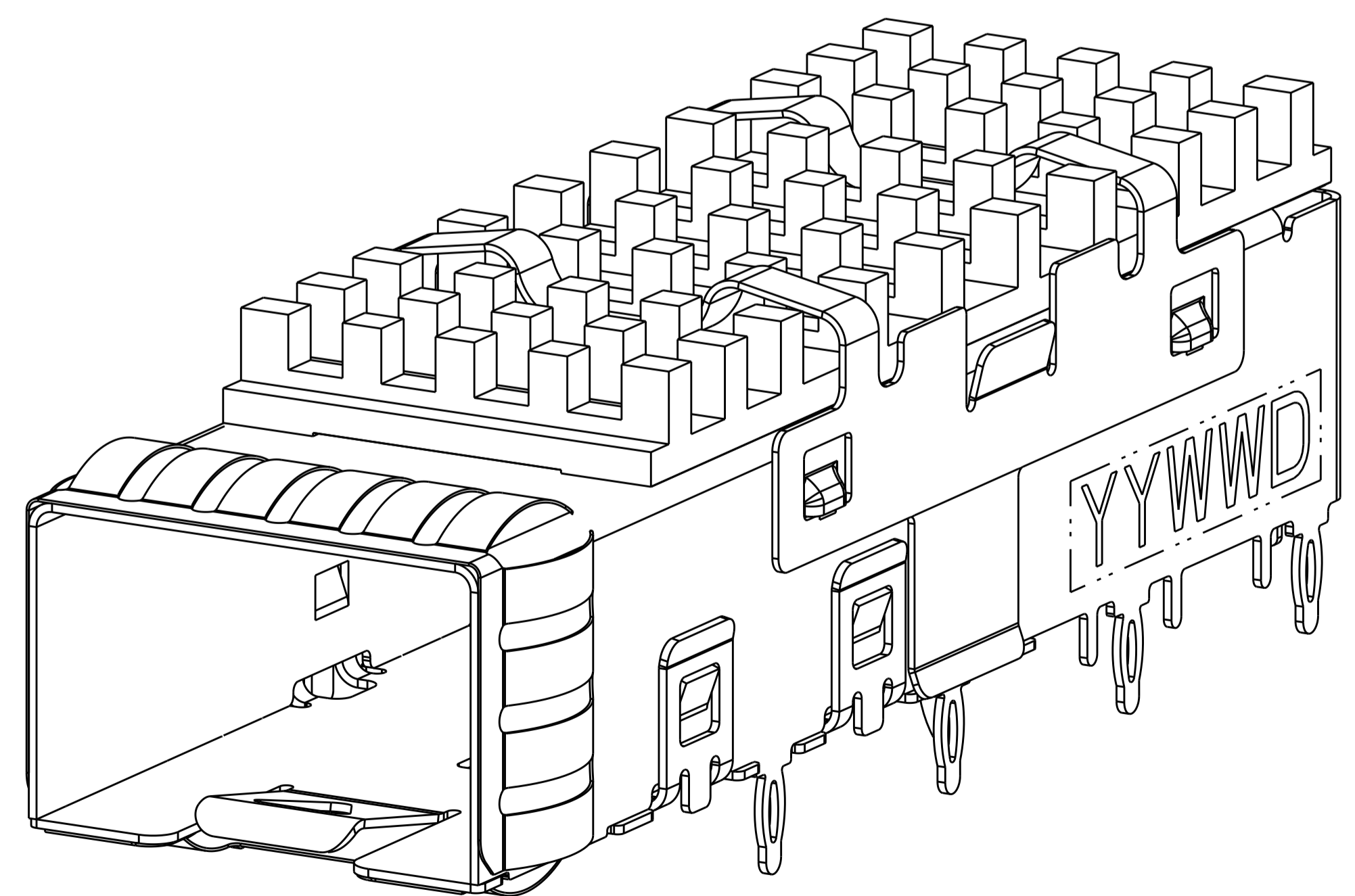
LOC	DIST	REVISIONS					
		P.	LYR	DESCRIPTION	DATE	DMN	APVD
GP	00	-	-	SEE SHEET 1	-	-	-





2007464-4 AS SHOWN WITH INSULATING TAPE, PIN TYPE HEAT SINK  
 2007464-1,2,3 WITHOUT INSULATING TAPE, TAPE, PIN TYPE HEAT SINK



2007464-8 AS SHOWN WITH INSULATING TAPE, WITH FIN TYPE HEAT SINK  
 2007464-5,6,7 WITHOUT INSULATING TAPE, WITH FIN TYPE HEAT SINK



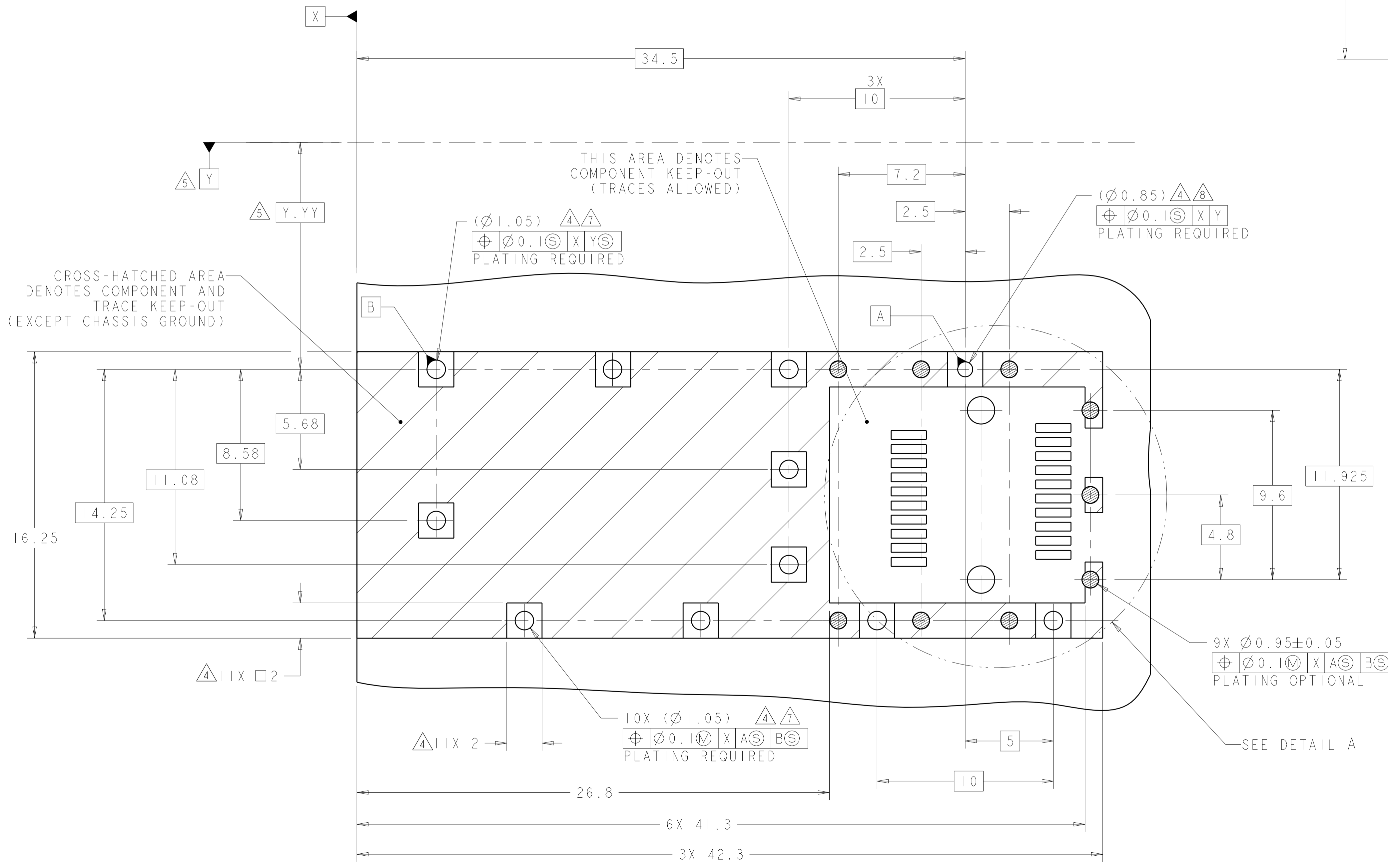
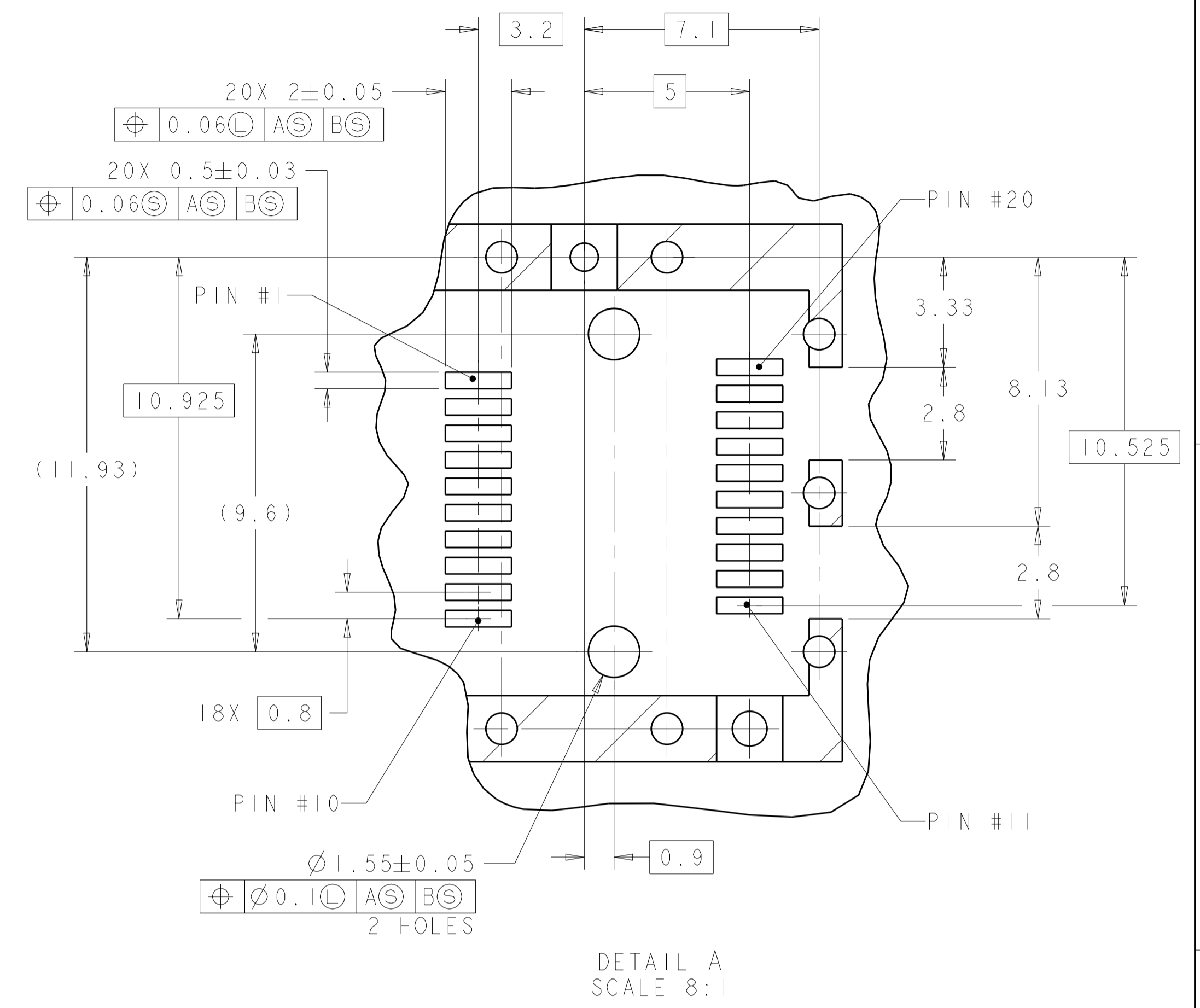
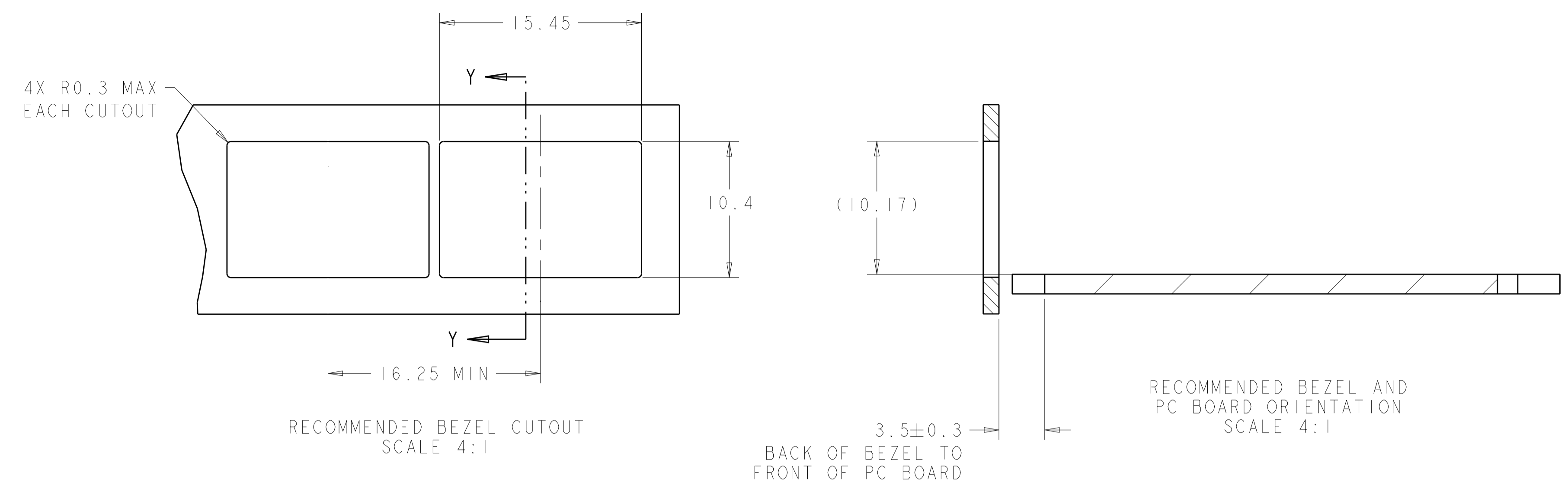
2007464-9 AS SHOWN

THIS DRAWING IS A CONTROLLED DOCUMENT.		DMN Z. M. REAM	20NOV2007	 TE Connectivity
DIMENSIONS:		CHK M. R. SCHMITZ	20NOV2007	
mm	TOLERANCES UNLESS OTHERWISE SPECIFIED:	APVD R. H. WERTZ	20NOV2007	NAME SFP+ 1X1 CAGE ASSEMBLY, PRESS-FIT PRESS-FIT, EMI SPRINGS WITH HEATSINK
0 PLC ±0.1 1 PLC ±0.1 2 PLC ±0.1 3 PLC ±0.05 4 PLC ±0.05 ANGLES ±0.05		PRODUCT SPEC 108-2364	APPLICATION SPEC 114-13120	
MATERIAL	FINISH	WEIGHT	114-13120	RESTRICTED TO
			Customer Drawing	SCALE 2 SHEET 2 OF 4 REV F3

LOC	DIST	REV	DATE	BY	APPV
GP	00				

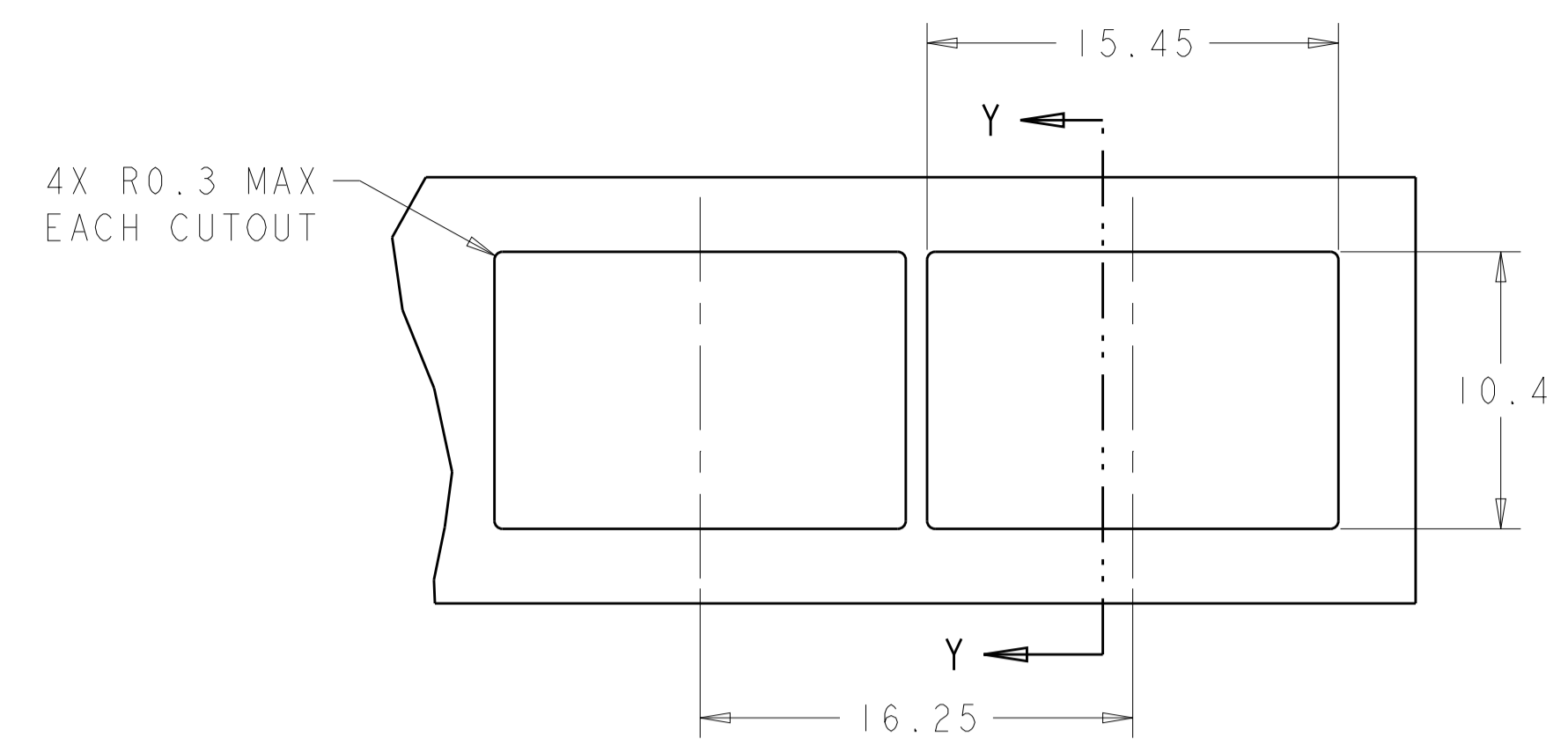
  

REVISIONS					
NO.	DESCRIPTION	DATE	BY	APPV	
1	SEE SHEET 1				

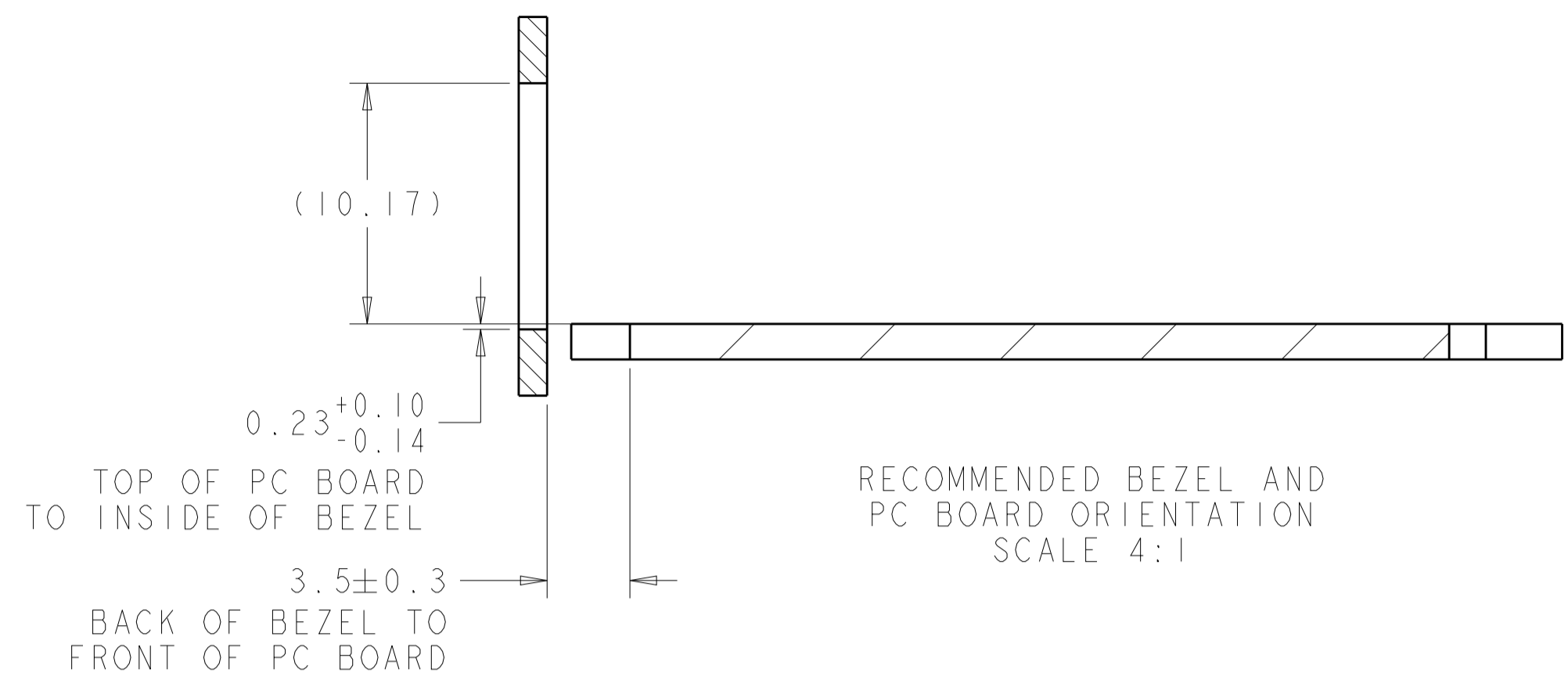


THIS DRAWING IS A CONTROLLED DOCUMENT.		OWN: Z.M.BEAM 20NOV2007	TE Connectivity
DIMENSIONS: mm		CHK: M.B.SCHMITZ 20NOV2007	
TOLERANCES UNLESS OTHERWISE SPECIFIED:		APVD: B.H.WERTZ 20NOV2007	NAME: SFP+ IXI CAGE ASSEMBLY, PRESS-FIT PRESS-FIT, EMI SPRINGS WITH HEATSINK
0 PLC	±0.1	PRODUCT SPEC	SIZE: CAGE CODE DRAWING NO. RESTRICTED TO
1 PLC	±0.1	108-2364	A100779C=2007464
2 PLC	±0.1	APPLICATION SPEC	SCALE: 2 SHEET 3 OF 4 REV: F3
3 PLC	±0.05	114-13120	
4 PLC	±0.05	WEIGHT: -	
ANGLES	±0.05	Customer Drawing	

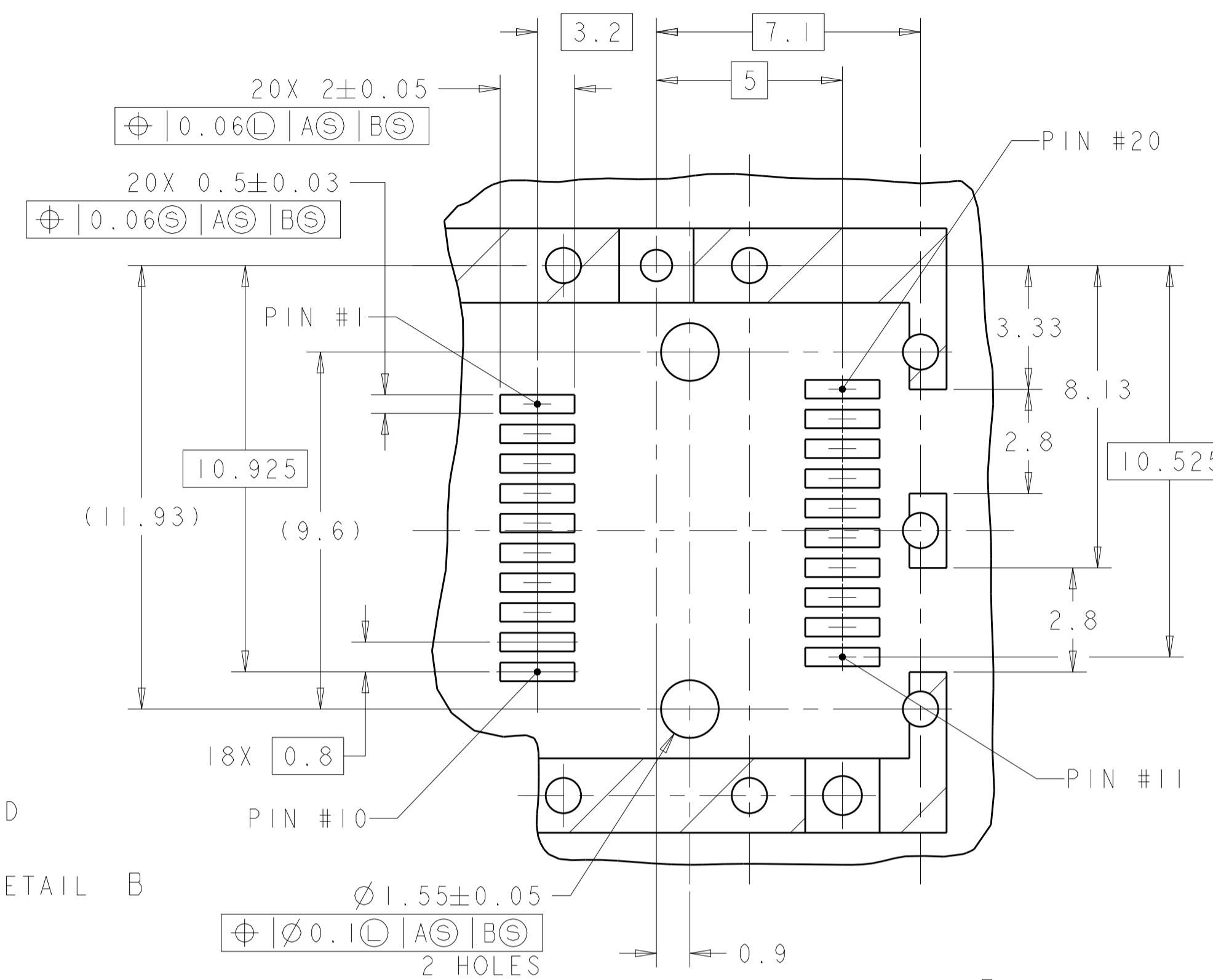
LOC	DIST	REV	DATE	APPD	APVD
GP	00				
P LTH		REVISIONS			
		DESCRIPTION	DATE	OWN	APVD
		SEE SHEET 1			



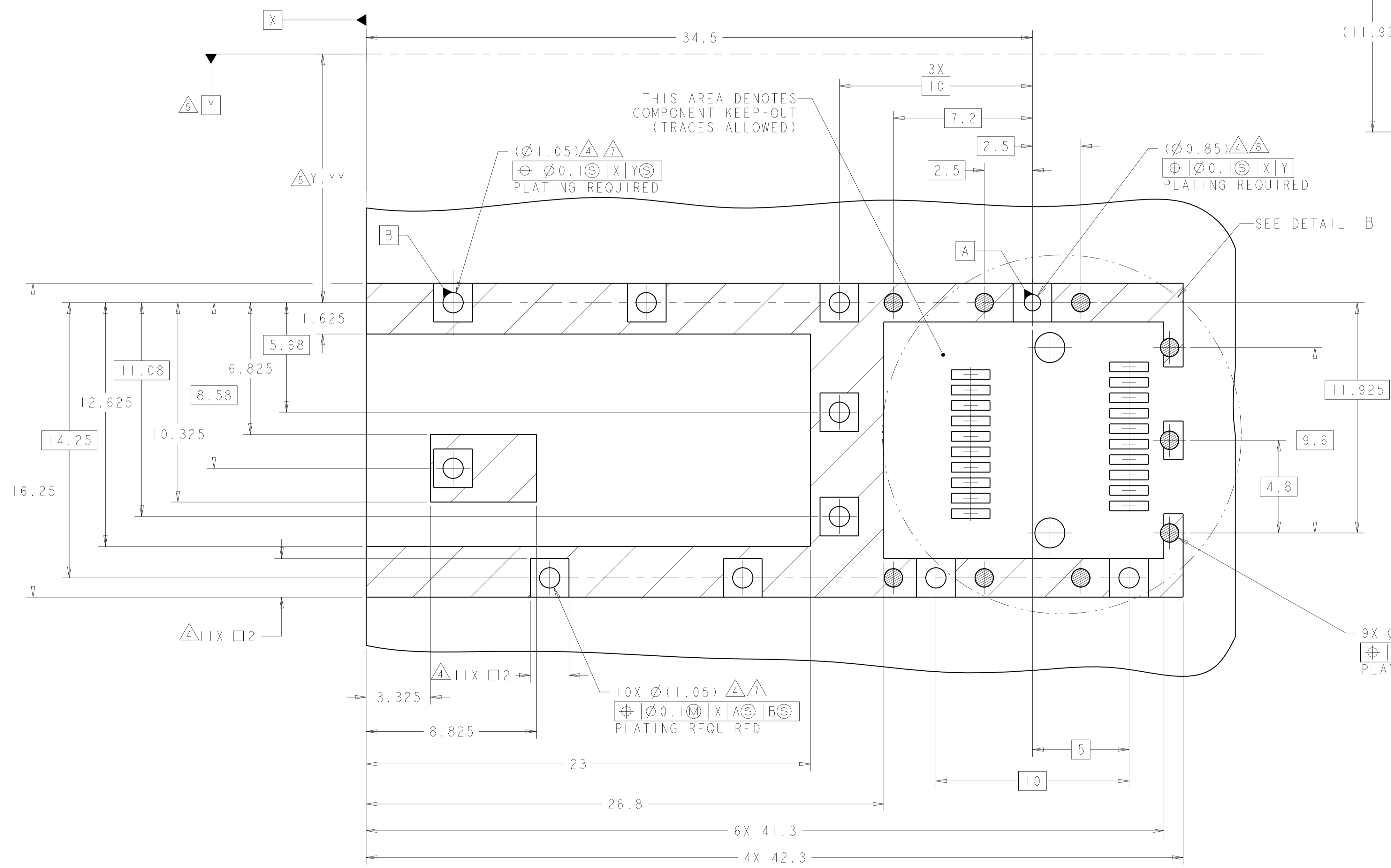
RECOMMENDED BEZEL CUTOUT  
SCALE 4:1



RECOMMENDED BEZEL AND  
PC BOARD ORIENTATION  
SCALE 4:1



DETAIL B  
SCALE 8:1



RECOMMENDED PCB LAYOUT FOR WITH  
INSULATING TAPE PART  
SCALE 8:1

9X Ø 0.95 ± 0.05  
 Ø 0.10 | X | A | S | B | S  
 PLATING OPTIONAL

THIS DRAWING IS A CONTROLLED DOCUMENT.		OWN: Z.M.BEAM 20NOV2007	TE Connectivity
DIMENSIONS: mm		CHK: M.R.SCHMITZ 20NOV2007	
TOLERANCES UNLESS OTHERWISE SPECIFIED:		APVD: B.H.WERTZ 20NOV2007	NAME: SFP+ IXI CAGE ASSEMBLY, PRESS-FIT PRESS-FIT, EMI SPRINGS WITH HEATSINK
0 PLC ±0.1 1 PLC ±0.1 2 PLC ±0.1 3 PLC ±0.05 4 PLC ±0.05 ANGLES ±0.05		PRODUCT SPEC: 108-2364	SIZE: A100779
MATERIAL: FINISH:		APPLICATION SPEC: 114-13120	DRAWING NO: C=2007464
		WEIGHT:	RESTRICTED TO: -
		Customer Drawing	SCALE: 2 SHEET 4 OF 4 REV: F3

## X-ON Electronics

Largest Supplier of Electrical and Electronic Components

*Click to view similar products for [I/O Connectors](#) category:*

*Click to view products by [TE Connectivity](#) manufacturer:*

Other Similar products are found below :

[571763P](#) [58098-0628](#) [72.250.1628.2](#) [72.250.2428.2](#) [74720-0505](#) [76.350.0729.0](#) [76871-1403](#) [FCN-244F080-G/1](#) [FCN-260A9920](#) [PCR-E36PM](#) [PCS-XE26MA+](#) [G38A71314B](#) [1571250010](#) [157-22500-3](#) [MS3471L14-19P L/C](#) [172501-4002](#) [172501-6002](#) [FCN-260C008-A/L0](#) [FCN-260C024-AL0](#) [FCN-261Z008](#) [2000314-1](#) [200331-1](#) [PCR-E36FC+](#) [PCS-E28FS+](#) [PCS-XE26SLFD+](#) [PCS-XE26SLFDT+](#) [G730VID08BDC24](#) [U90B2054081210](#) [38113800006](#) [DP3AR020WQ1R200](#) [Z4.102.0680.0](#) [500-1040](#) [500-1052](#) [500-1054](#) [ZP-4008-66L](#) [0709821002](#) [DX40-20P\(55\)](#) [5554841-1](#) [MS3474W18-8P-LC\\*](#) [U90B3054061110](#) [U65-E04-4020](#) [ZPF000000000097891](#) [747360449](#) [10099439-003C-TRLF](#) [10137239-0021LF](#) [E9320-001-01](#) [10137239-0011LF](#) [70289-001LF](#) [70.060.1028.0](#) [109029-ZZ](#)