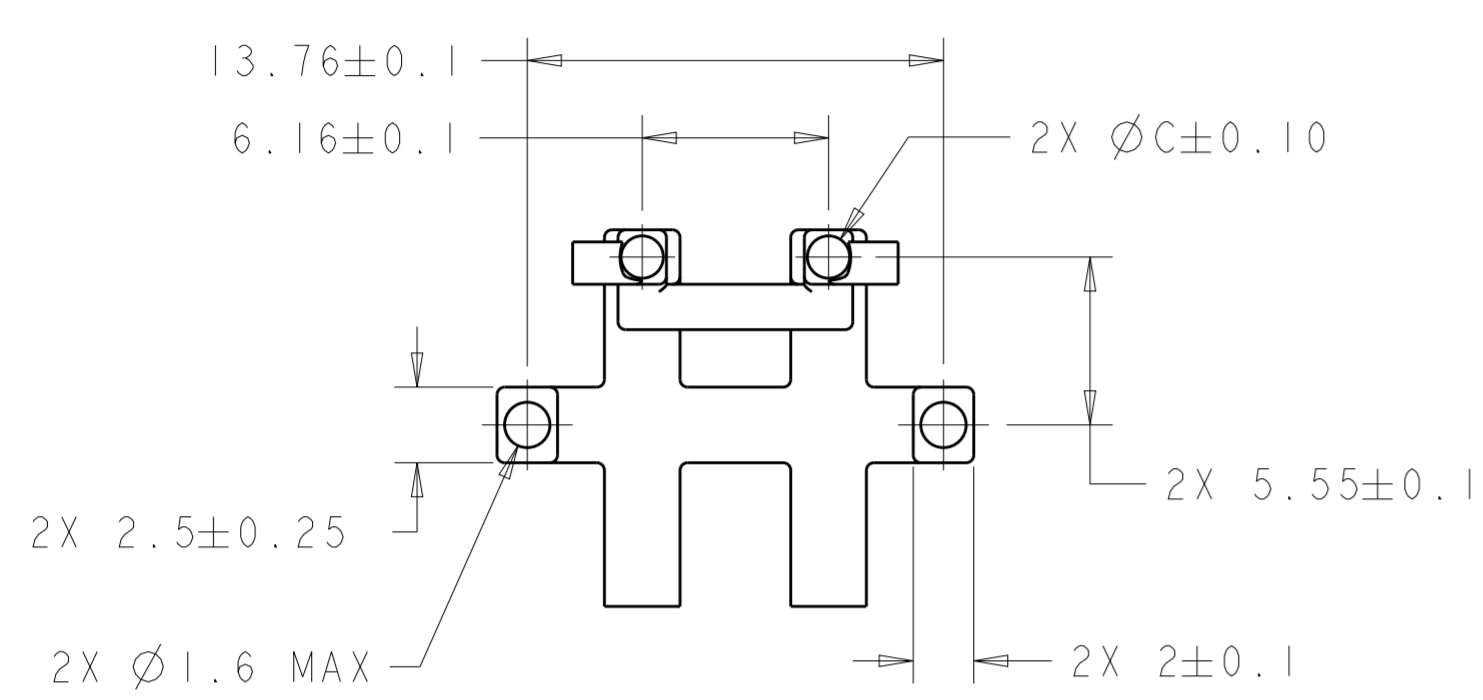
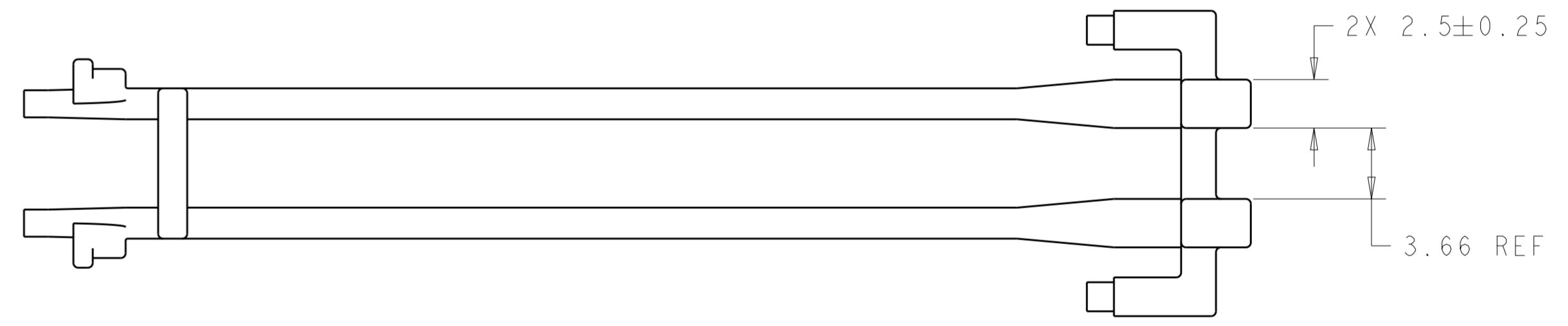


THIS DRAWING IS UNPUBLISHED. RELEASED FOR PUBLICATION 2007
 © COPYRIGHT 2007 BY - ALL RIGHTS RESERVED.

LOC	DIST	REVISIONS					
GP	00	P	LTR	DESCRIPTION	DATE	DWN	APVD
		A		RELEASED PER ECO-09-008578	21APR2009	CJV	JRP
		B		RELEASED PER ECO-13-009942	14JUN2013	RG	AC
		C		RELEASED PER ECO-13-020244	31DEC2013	ZJ	JY
		D		RELEASER PER ECO-15-000289	8JAN2015	RG	MC



⚠ MATERIAL: POLYCARBONATE, CLEAR



2.0	6.00	55.1	1-2007477-2
2.0	6.00	57.0	1-2007477-0
1.4	6.00	55.5	2007477-7
1.4	6.00	56.3	2007477-3
1.4	5.55	55.5	2007477-2
1.4	5.55	59.2	2007477-1
C	B	A	PART NUMBER

THIS DRAWING IS A CONTROLLED DOCUMENT.

DWN	C. VALENTINE	26NOV2007
CHK	E. BRIGHT	26NOV2007
APVD	F. BRIGHT	26NOV2007

STE TE Connectivity

NAME: LIGHT PIPE, DOUBLE, BEHIND BEZEL, GANGED QSFP

SIZE	CAGE CODE	DRAWING NO	RESTRICTED TO
A2	00779	C-2007477	-

Customer Drawing SCALE 4:1 SHEET 1 OF 1 REV D

X-ON Electronics

Largest Supplier of Electrical and Electronic Components

Click to view similar products for [I/O Connectors](#) category:

Click to view products by [TE Connectivity](#) manufacturer:

Other Similar products are found below :

[571763P](#) [58098-0628](#) [72.250.1628.2](#) [72.250.2428.2](#) [74720-0505](#) [76.350.0729.0](#) [76871-1403](#) [FCN-244F080-G/1](#) [FCN-260A9920](#) [PCR-E36PM](#) [PCS-XE26MA+](#) [G38A71314B](#) [DX40-50P\(55\)](#) [1571250010](#) [157-22500-3](#) [MS3471L14-19P L/C](#) [91-569786-35H](#) [172501-4002](#) [172501-6002](#) [FCN-260C008-A/L0](#) [FCN-260C024-AL0](#) [FCN-261Z008](#) [2000314-1](#) [200331-1](#) [PCR-E36FC+](#) [PCS-E28FS+](#) [PCS-XE26SLFD+](#) [PCS-XE26SLFDT+](#) [G730VID08BDC24](#) [U90B2054081210](#) [UE86K842720321](#) [38113800006](#) [DP3AR020WQ1R200](#) [Z4.102.0680.0](#) [500-1040](#) [500-1052](#) [500-1054](#) [ZP-4008-66L](#) [0709821002](#) [10-565995-597N](#) [DX40-20P\(55\)](#) [5554841-1](#) [MS3474W18-8P-LC*](#) [U90B3054061110](#) [U65-E04-4020](#) [ZPF000000000097891](#) [557-262M2-06C](#) [747360449](#) [10099439-003C-TRLF](#) [10137239-0021LF](#)