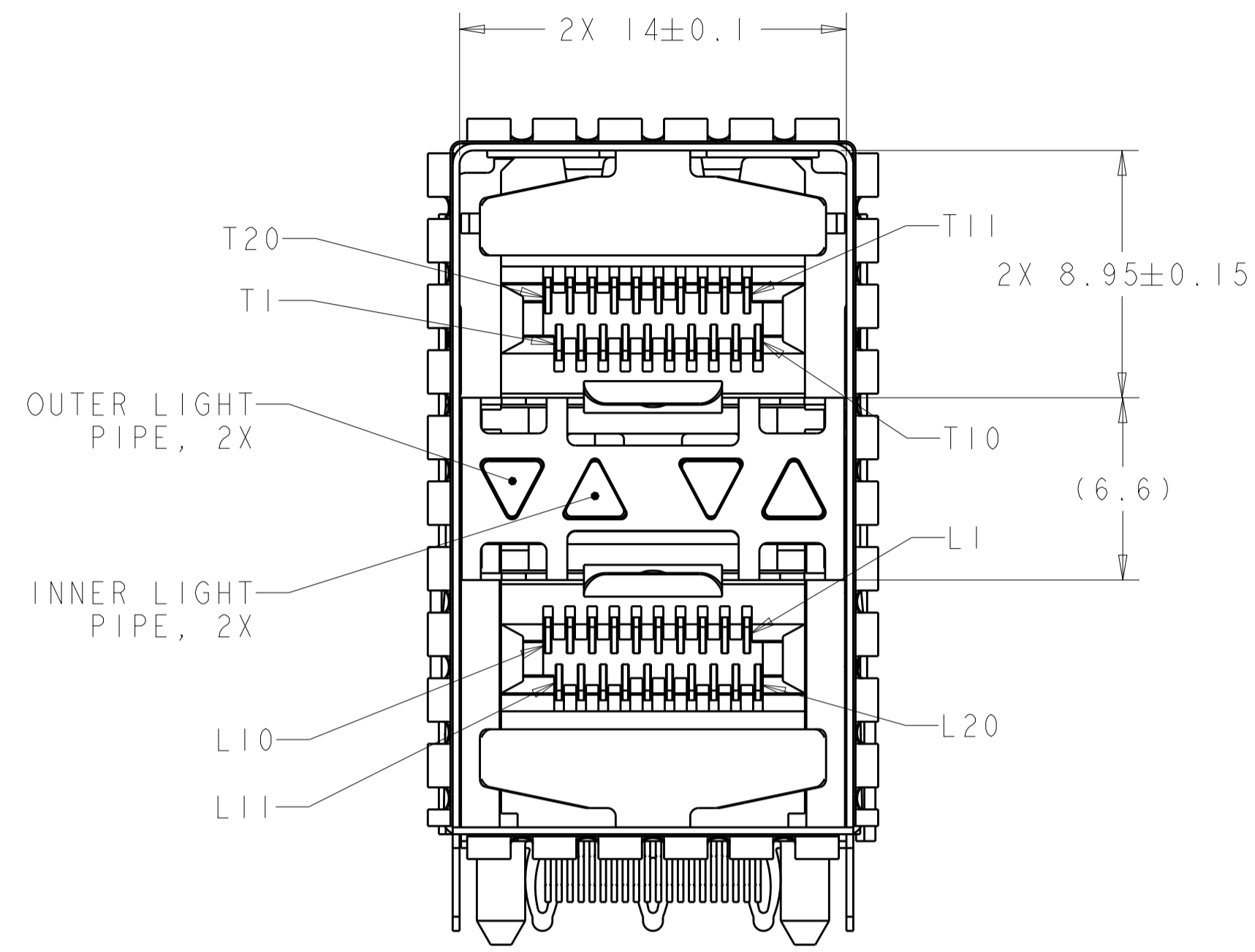
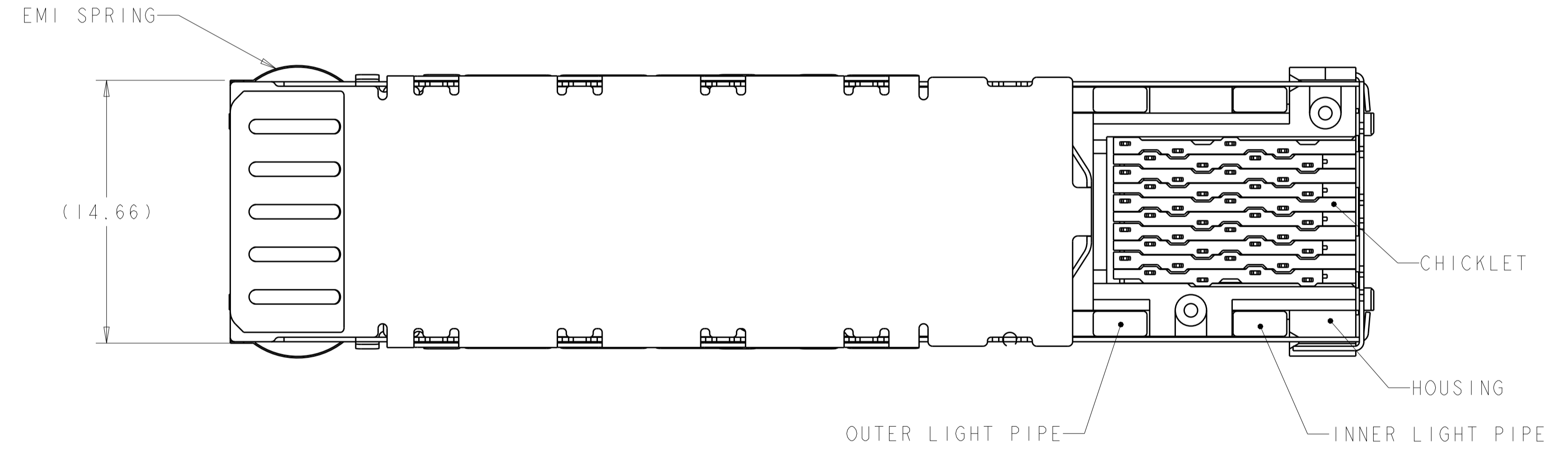
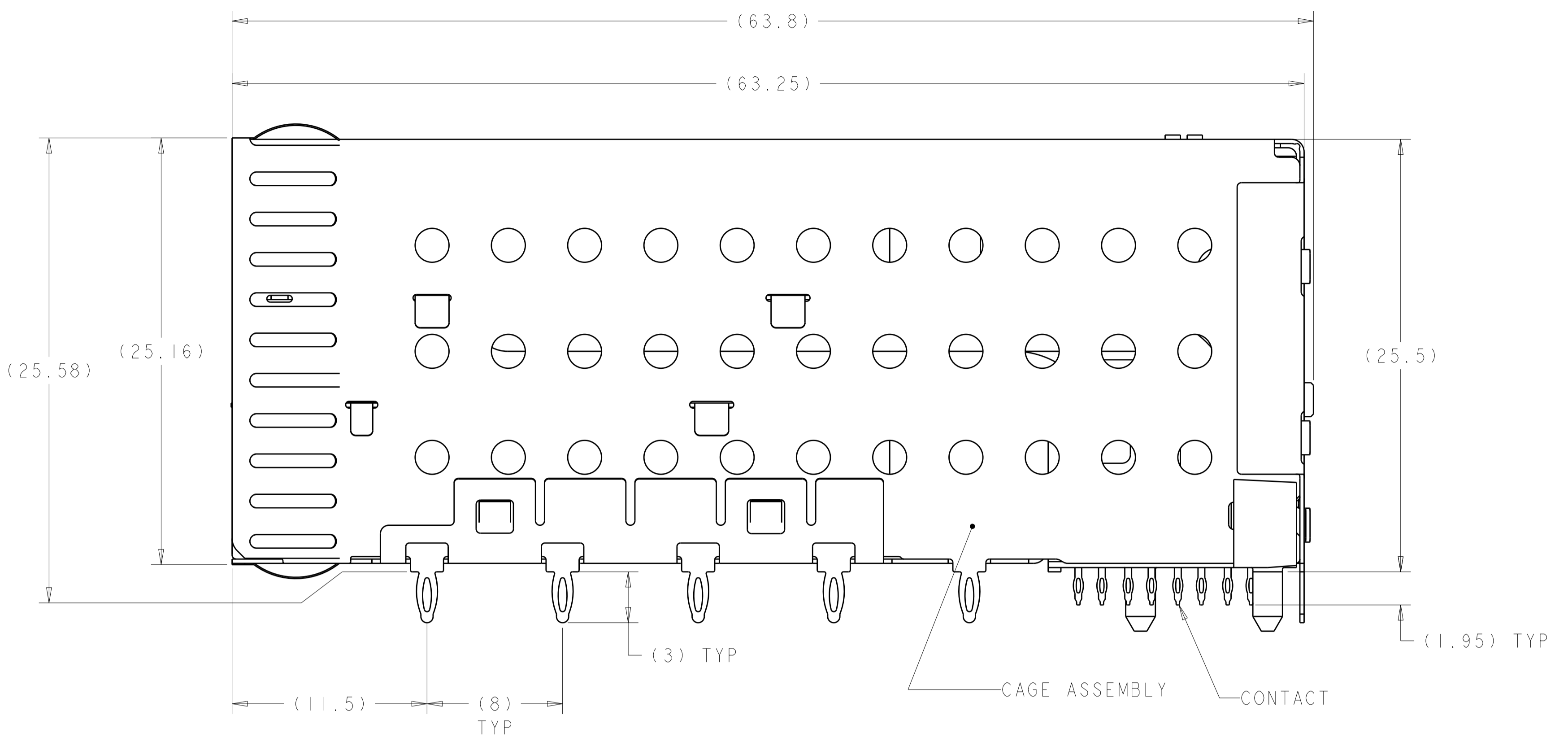


LOC		DIST		REVISIONS			
P	LTN	DESCRIPTION	DATE	DMN	APVD		
C1		REVISED PER ECO-13-003678	09APR2013	CJV	PAR		
D		REVISED PER ECO-15-017919	04APL2016	AP	PR		
E		REVISE PER ECR-19-011161	14JAN2020	IT	SH		
F		ADD PN 2-8 WITH ESD TRAY PACKAGE	19MAY2020	IT	SH		



2007492-5 AS SHOWN



- ⚠ MATERIALS:
 CAGE ASSEMBLY- NICKEL SILVER ALLOY PER ASTM B 122.
 EMI SPRING- COPPER ALLOY.
 HOUSING- BLACK LCP, UL 94V-0 RATED.
 CHICKLET- BLACK LCP, UL 94V-0 RATED.
 LIGHT PIPE- POLYCARBONATE, CLEAR.
 INSERT- LCP, BLACK, UL 94V-0.
 CONTACT- COPPER ALLOY.
- ② DATUM AND BASIC DIMENSIONS ESTABLISHED BY CUSTOMER.
- 3. MINIMUM PCB THICKNESS OF 1.5.
- ④ CONTACT FINISH- CONFORMS TO THE REQUIREMENTS OF TE CONNECTIVITY PRODUCT SPECIFICATION 108-2331, BASED ON EIA/ECA-364-1000.01A, (CONTROLLED ENVIRONMENT APPLICATIONS) ON MATING INTERFACE, TIN-LEAD ON NEEDLE EYE.
- ⑤ CONTACT FINISH- CONFORMS TO THE REQUIREMENTS OF TE CONNECTIVITY PRODUCT SPECIFICATION 108-2331, BASED ON EIA/ECA-364-1000.01A, (CONTROLLED ENVIRONMENT APPLICATIONS) ON MATING INTERFACE, TIN ON NEEDLE EYE.
- ⑥ FOR HOLE SIZE AND PLATINGS, SEE APPLICATION SPEC 114-13219.
- ⚠ THE ENTIRE AREA OF THE CONNECTOR FOOTPRINT, INDICATED BY THE DASHED LINE, TO BE CONSIDERED THE KEEPOUT AREA FOR COMPONENTS AND SIGNAL TRACES, TOP SIDE ONLY. TOP SIDE TRACES ALLOWED WITHIN CONNECTOR HOLE PATTERN.
- ⑧ LIGHT PIPE PAD LAYOUT IS FOR 0805 LOW PROFILE LED PACKAGE WITH A HEIGHT OF 0.8mm.
- ⑨ EMI SPRING FINISH: 0.8µm MINIMUM MATTE TIN OVER 0.8µm MINIMUM NICKEL, NONPLATED EDGES PERMISSIBLE.
- ⑩ ADDITIONAL COMPONENT LOCATED WITHIN LATCH PLATE FOR EMI SUPPRESSION.
- ⚠ WITH ESD TYPE TRAY PACKAGE.

YES	NO	DESCRIPTION	PART NUMBER
		NO LIGHT PIPES	1-2007492-8
		OUTER 2 LIGHT PIPES	1-2007492-7
		INNER 2 LIGHT PIPES	1-2007492-6
		4 LIGHT PIPES	1-2007492-5
		NO LIGHT PIPES	⚠ 2-2007492-8
		NO LIGHT PIPES	2007492-8
		OUTER 2 LIGHT PIPES	2007492-7
		INNER 2 LIGHT PIPES	2007492-6
		4 LIGHT PIPES	2007492-5
		NO LIGHT PIPES	2007492-4
		OUTER 2 LIGHT PIPES	2007492-3
		INNER 2 LIGHT PIPES	2007492-2
		4 LIGHT PIPES	2007492-1
SUPERSEDED	NO		
ENHANCED EMI	FINISH	DESCRIPTION	PART NUMBER

THIS DRAWING IS A CONTROLLED DOCUMENT. DIMENSIONING AND TOLERANCING PER ASME Y14.5M-2009. DIMENSIONS: mm. TOLERANCES UNLESS OTHERWISE SPECIFIED: 0 PLC ±0.10, 1 PLC ±0.10, 2 PLC ±0.10, 3 PLC ±0.10, 4 PLC ±0.10, ANGLES ±°. FINISH: ⚠, ④, ⑤, ⑨.

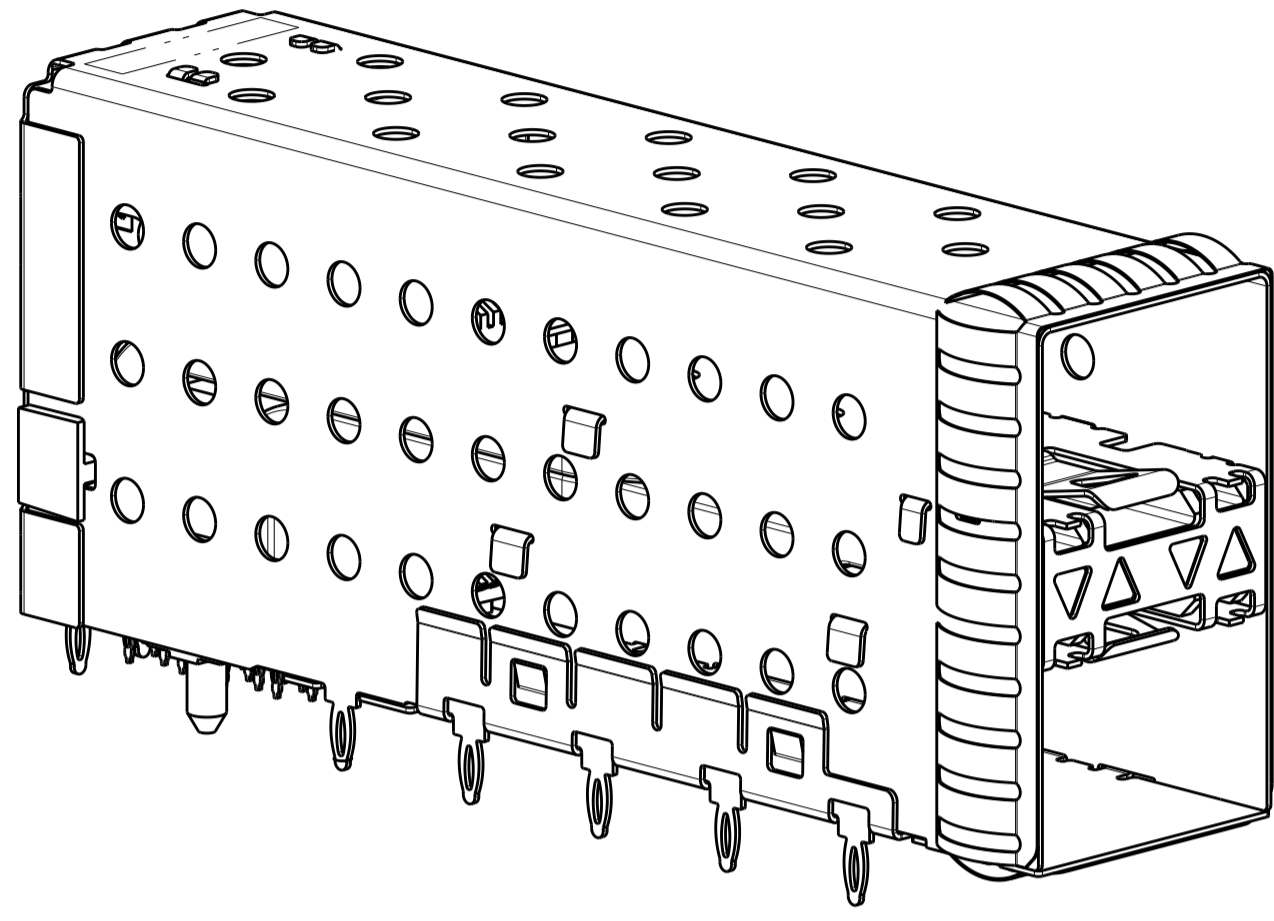
DMN: M. SHIRK, 30NOV2007
 CHK: D. SZCZESNY, 30NOV2007
 APVD: D. SZCZESNY, 30NOV2007
 PRODUCT SPEC: 108-2331
 APPLICATION SPEC: 114-13219
 WEIGHT: -
 CUSTOMER DRAWING

NAME: CAGE AND PT CONNECTOR ASSEMBLY, WITH EMI SPRINGS, PRESS FIT, 2X1, STACKED SFP+
 SIZE: A1
 CAGE CODE: 100779
 DRAWING NO: 2007492
 SCALE: 5:1
 SHEET: 1 OF 4
 REV: F

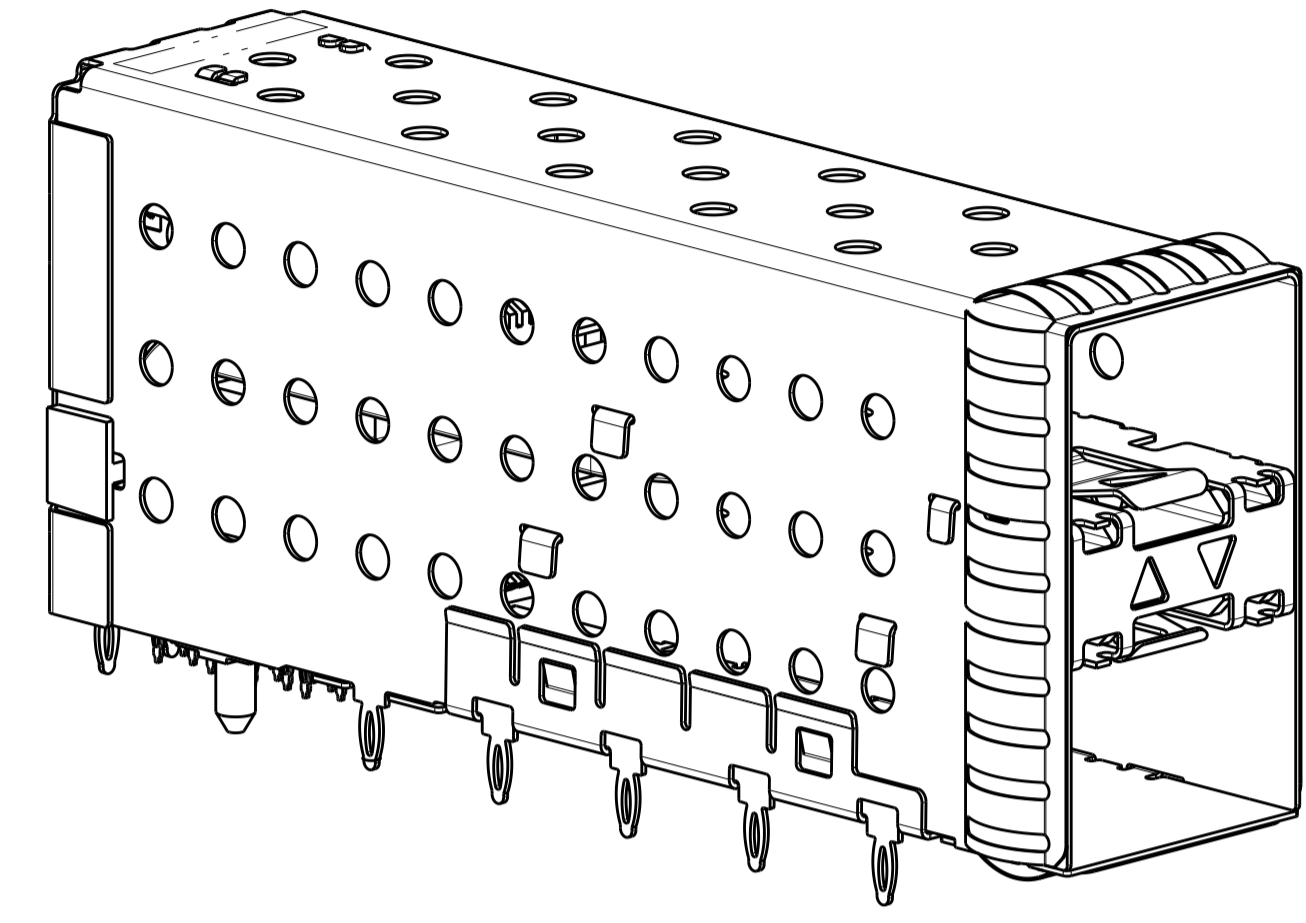
STE TE Connectivity

THIS DRAWING IS UNPUBLISHED. RELEASED FOR PUBLICATION 20
 © COPYRIGHT 20 BY - ALL RIGHTS RESERVED.

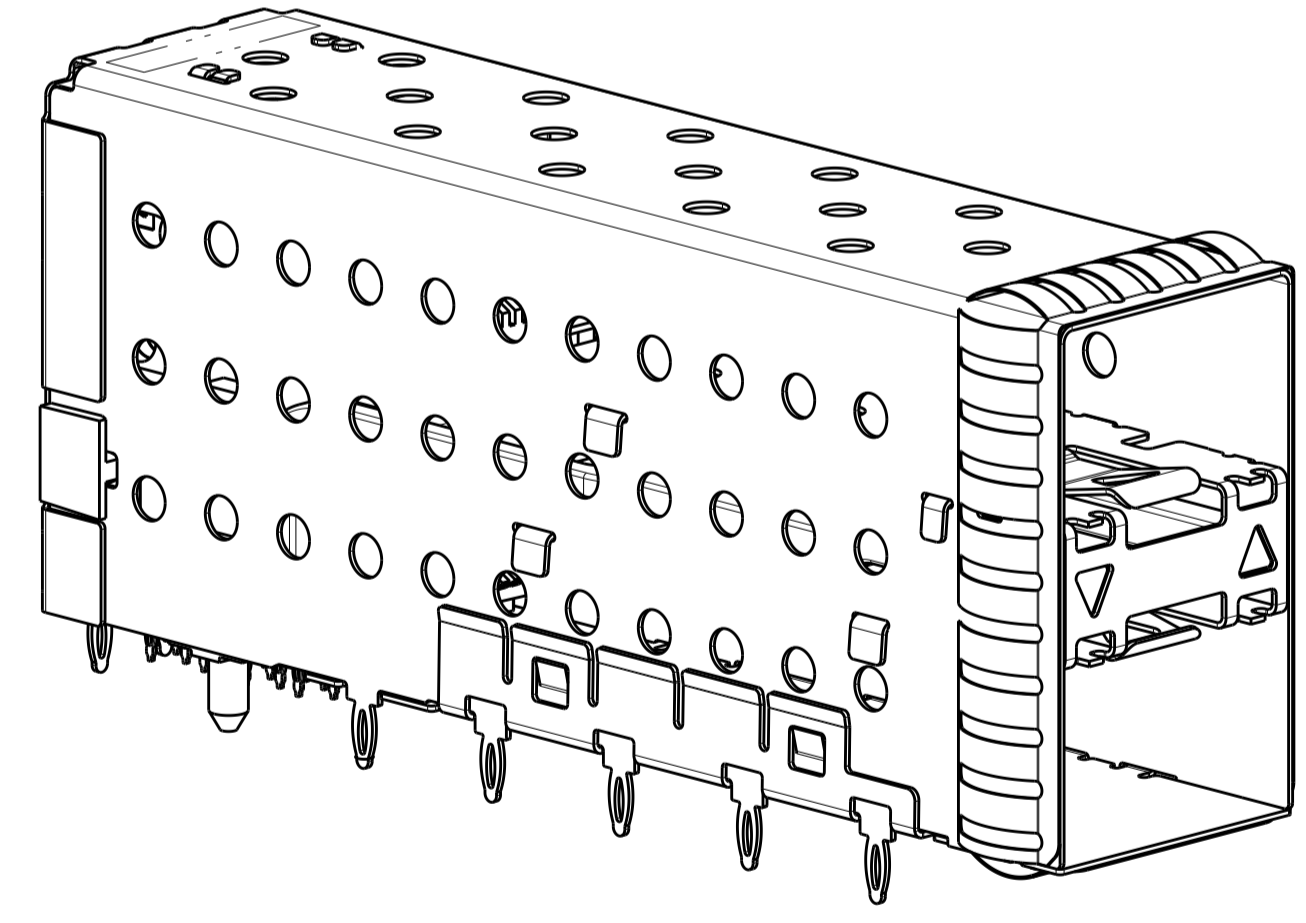
LOC		DIST		REVISIONS			
GP	00	P	LYR	DESCRIPTION	DATE	DWN	APVD
		-		SEE SHEET 1			



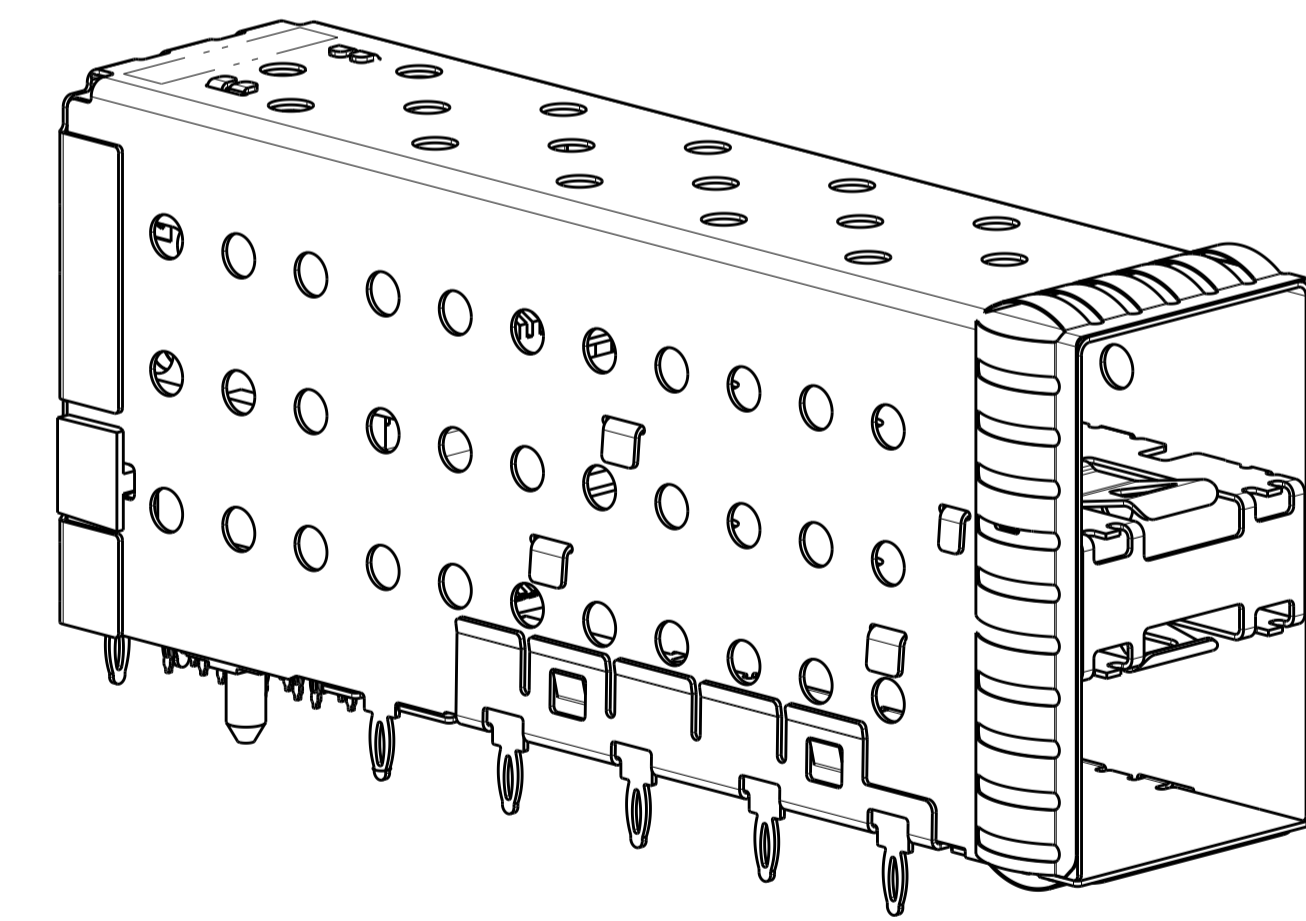
2007492-5 AND 1-2007492-5
 SCALE 3:1




2007492-6 AND 1-2007492-6
 SCALE 3:1



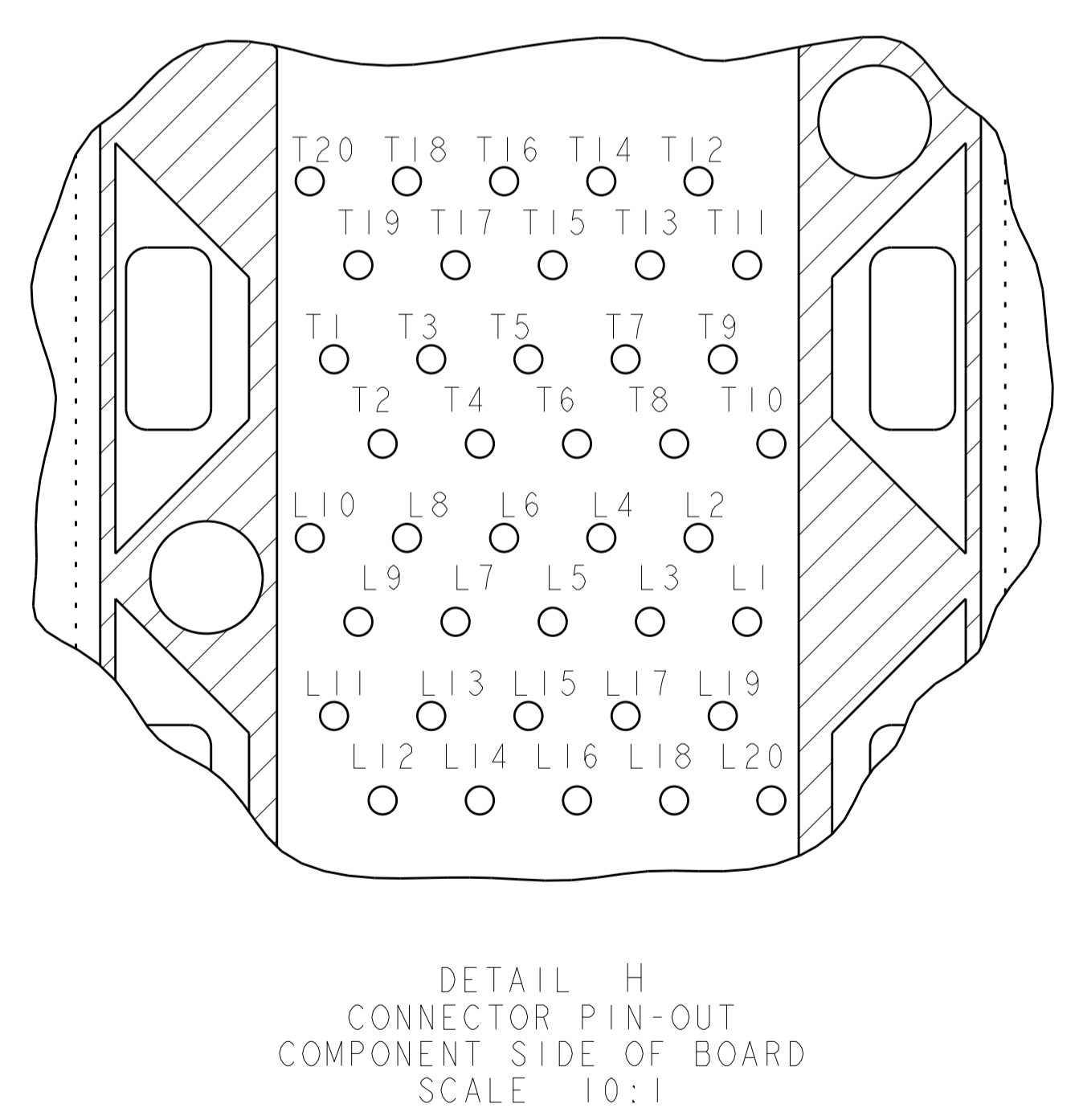
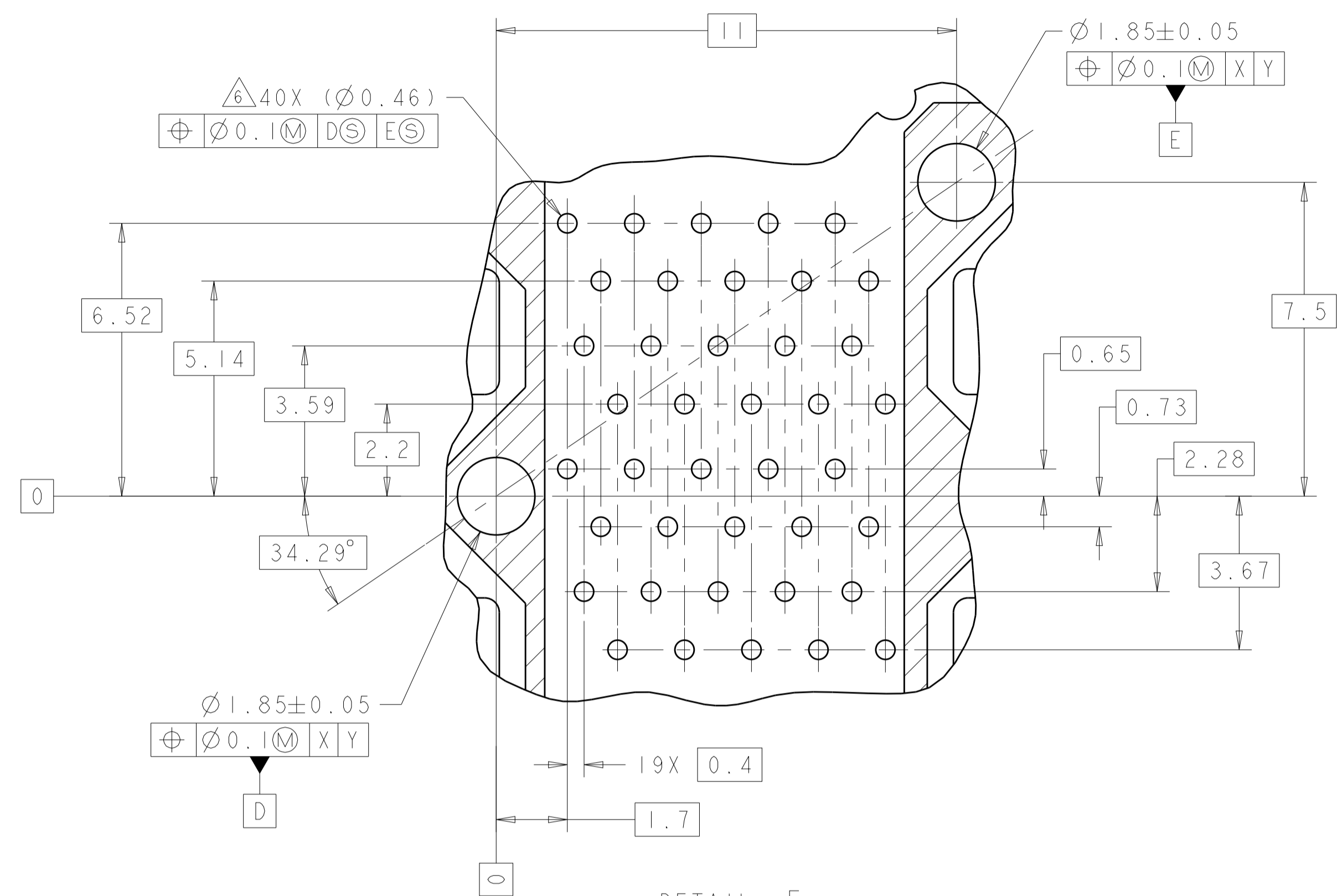
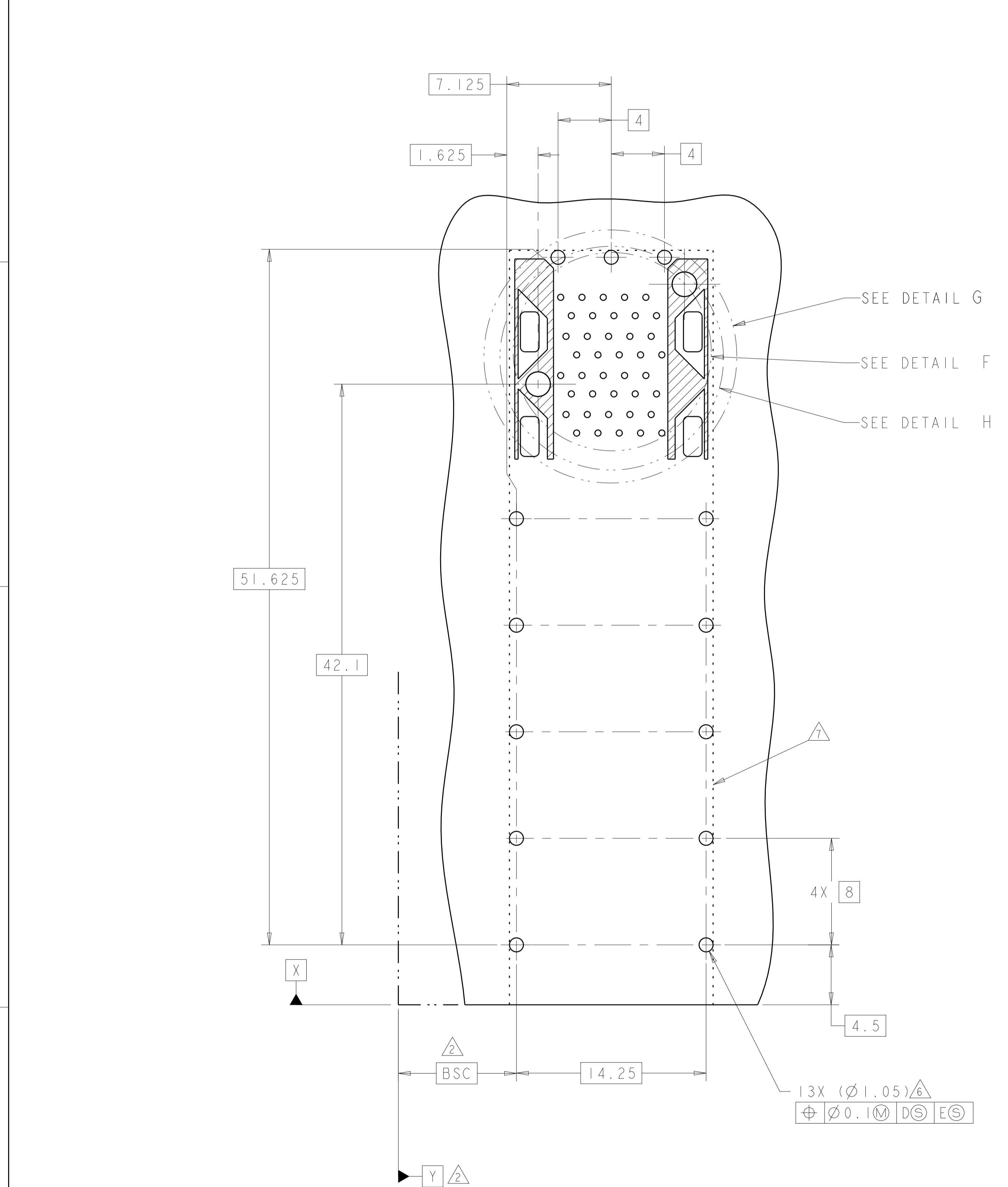
2007492-7 AND 1-2007492-7
 SCALE 3:1



2007492-8, 1-2007492-8 AND 2-2007492-8
 SCALE 3:1

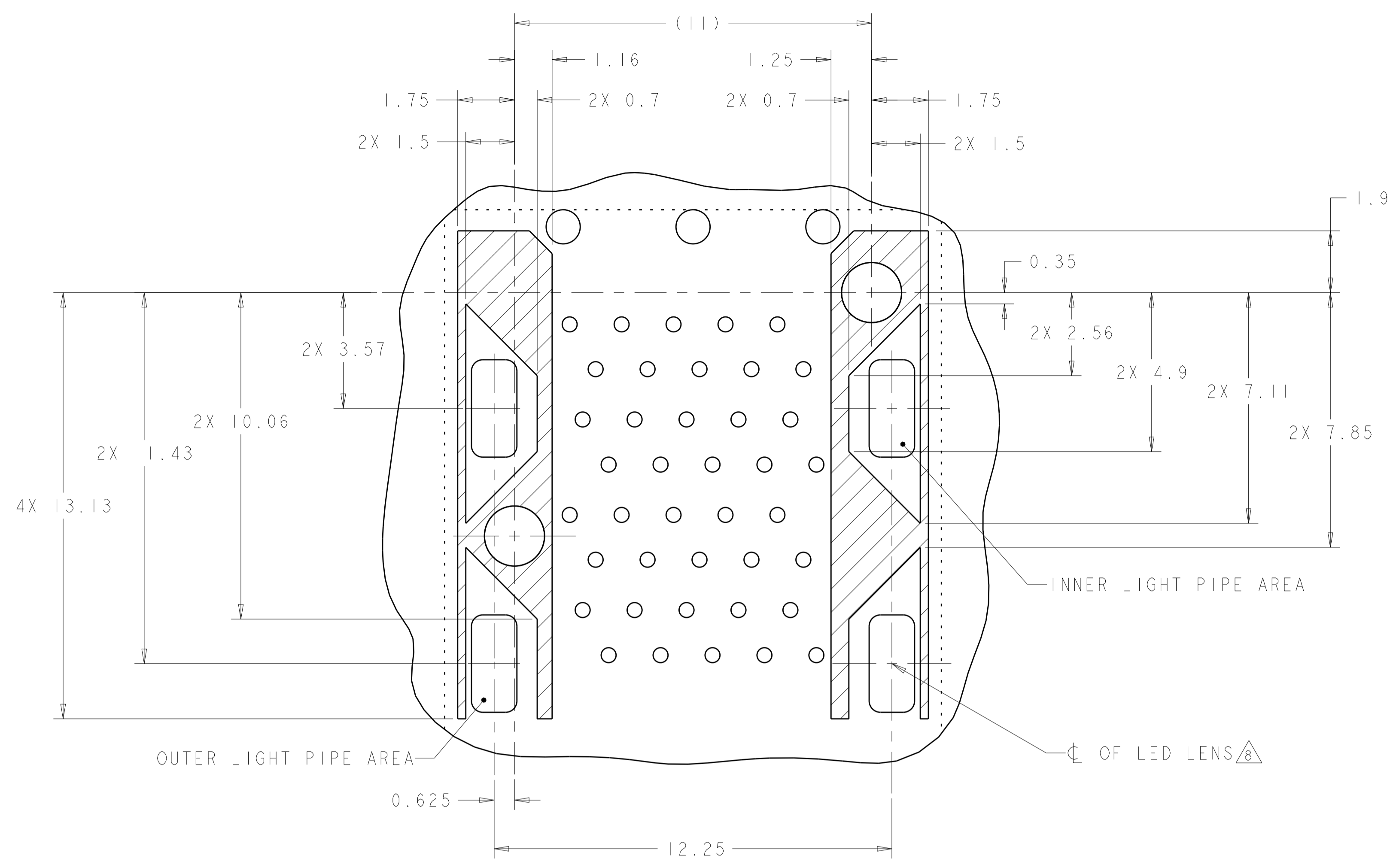
THIS DRAWING IS A CONTROLLED DOCUMENT. DIMENSIONING AND TOLERANCING PER ASME Y14.5M-2009.		DWN: M. SHIRK 30NOV2007	 TE Connectivity
DIMENSIONS: mm		CHK: D. SZCZESNY 30NOV2007	
TOLERANCES UNLESS OTHERWISE SPECIFIED: 0 PLC ±0.10 1 PLC ±0.10 2 PLC ±0.10 3 PLC ±0.10 4 PLC ±0.10 ANGLES ±°		APVD: D. SZCZESNY 30NOV2007	NAME: CAGE AND PT CONNECTOR ASSEMBLY, WITH EMI SPRINGS, PRESS FIT, 2X1, STACKED SFP+
MATERIAL: FINISH:		PRODUCT SPEC: 108-2331	SIZE: CAGE CODE DRAWING NO. RESTRICTED TO
		APPLICATION SPEC: 114-13219	A100779C=2007492
		WEIGHT: -	SCALE 5:1 SHEET 2 OF 4 REV F
		CUSTOMER DRAWING	

LOC	DIST	REV	DATE	APPV
GP	00			
DESCRIPTION		DATE	DWN	APPV
SEE SHEET 1				

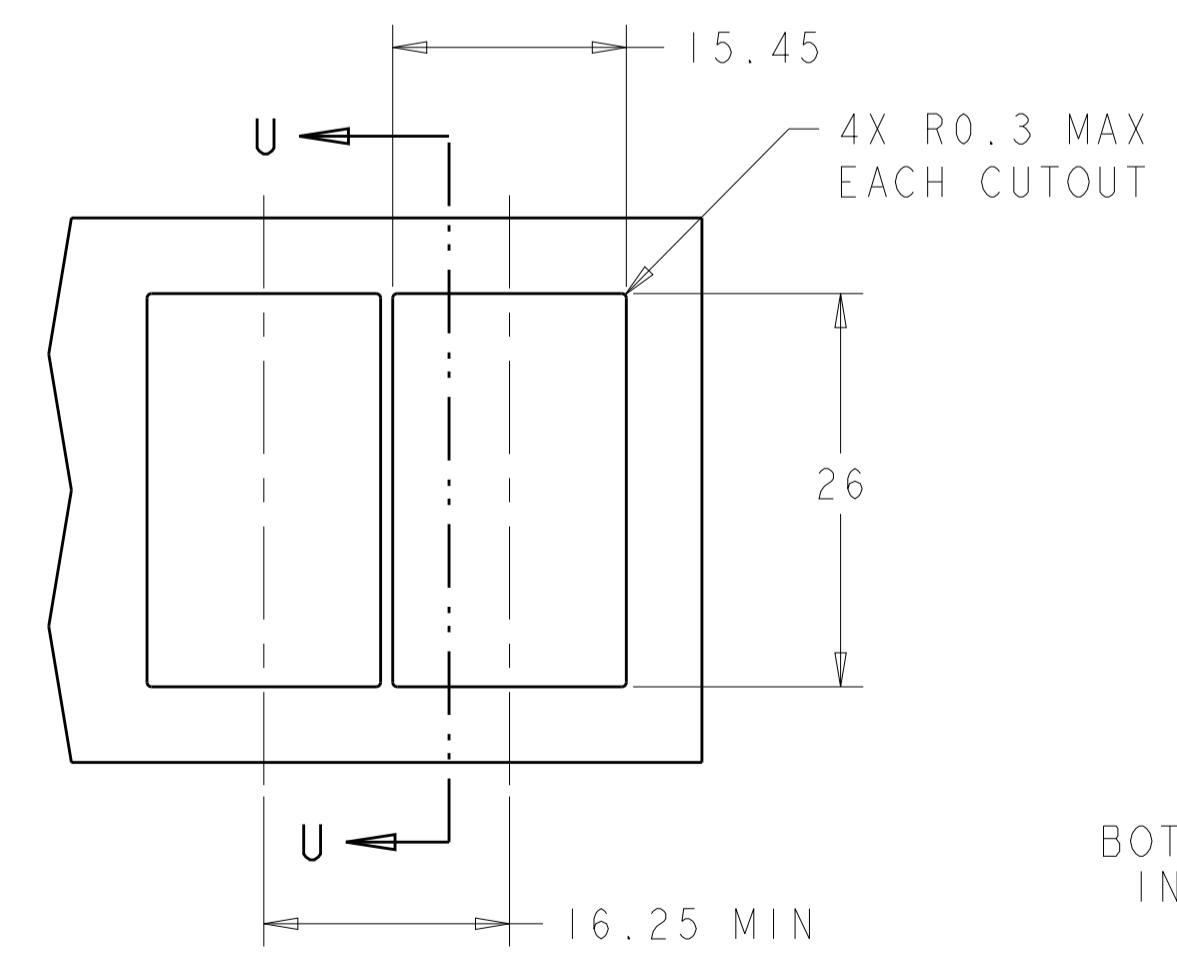


THIS DRAWING IS A CONTROLLED DOCUMENT. DIMENSIONING AND TOLERANCING PER ASME Y14.5M-2009		DWN: M. SHIRK 30NOV2007 CHK: D. SZCZESNY 30NOV2007 APPV: D. SZCZESNY 30NOV2007	TE Connectivity NAME: CAGE AND PT CONNECTOR ASSEMBLY, WITH EMI SPRINGS, PRESS FIT, 2X1, STACKED SFP+
DIMENSIONS: mm	TOLERANCES UNLESS OTHERWISE SPECIFIED:	PRODUCT SPEC: 108-2331 APPLICATION SPEC: 114-13219 WEIGHT: -	
MATERIAL:	FINISH:	SIZE: A100779 SCALE: 5:1	RESTRICTED TO: - SHEET 3 OF 4 REV F

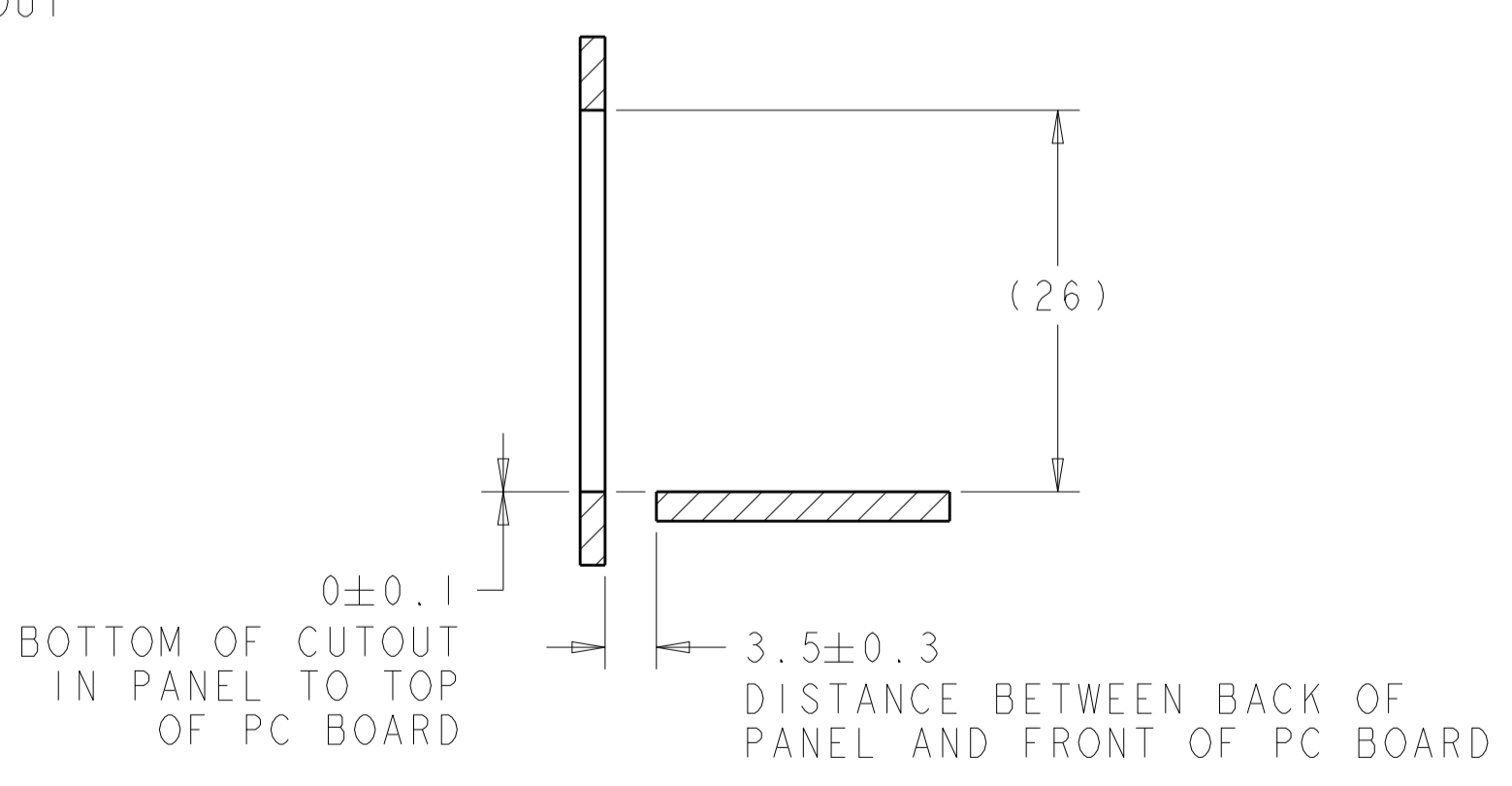
LOC	DIST	REVISIONS			
GP	00	REV	DATE	BY	APPV
-	-	SEE SHEET 1	-	-	-



DETAIL G
CONNECTOR HOUSING
KEEPOUT ZONE
SCALE 10:1



RECOMMENDED PANEL CUTOUT
AND PC BOARD, PANEL POSITION
SCALE 2:1



SECTION U-U

THIS DRAWING IS A CONTROLLED DOCUMENT. DIMENSIONING AND TOLERANCING PER ASME Y14.5M-2009.		DWN: M. SHIRK 30NOV2007 CHK: D. SZCZESNY 30NOV2007 APVD: D. SZCZESNY 30NOV2007	TE Connectivity
DIMENSIONS: mm TOLERANCES UNLESS OTHERWISE SPECIFIED: 0 PLC ±0.10 1 PLC ±0.10 2 PLC ±0.10 3 PLC ±0.10 4 PLC ±0.10 ANGLES ±°		NAME: CAGE AND PT CONNECTOR ASSEMBLY, WITH EMI SPRINGS, PRESS FIT, 2X1, STACKED SFP+ PRODUCT SPEC: 108-2331 APPLICATION SPEC: 114-13219 WEIGHT: -	
MATERIAL: -		SIZE: A100779 CAGE CODE: C=2007492 CUSTOMER DRAWING	RESTRICTED TO: - SCALE: 5:1 SHEET 4 OF 4 REV F

X-ON Electronics

Largest Supplier of Electrical and Electronic Components

Click to view similar products for [I/O Connectors](#) category:

Click to view products by [TE Connectivity](#) manufacturer:

Other Similar products are found below :

[571763P](#) [72.250.1628.2](#) [72.250.2428.2](#) [74720-0505](#) [76.350.0729.0](#) [76871-1403](#) [FCN-244F080-G/1](#) [FCN-260A9920](#) [MP-5T180MUNNA-005](#)
[PCR-E36PM](#) [PCS-XE26MA+](#) [G38A71314B](#) [1571250010](#) [157-22500-3](#) [MS3471L14-19P L/C](#) [91-569786-35H](#) [172501-4002](#) [172501-6002](#)
[FCN-260C008-A/L0](#) [FCN-260C024-AL0](#) [FCN-261Z008](#) [2000314-1](#) [200331-1](#) [PCR-E36FC+](#) [PCS-E28FS+](#) [PCS-XE26SLFD+](#) [PCS-](#)
[XE26SLFDT+](#) [G730VID08BDC24](#) [U90B2054081210](#) [UE86K842720321](#) [38113800006](#) [DP3AR020WQ1R200](#) [Z4.102.0680.0](#) [500-1040](#)
[500-1052](#) [500-1054](#) [ZP-4008-66L](#) [0709821002](#) [10-565995-597N](#) [DX40-20P\(55\)](#) [5554841-1](#) [MS3474W18-8P-LC*](#) [U90B3054061110](#) [U65-](#)
[E04-4020](#) [ZPF000000000097891](#) [557-262M2-06C](#) [747360449](#) [10099439-003C-TRLF](#) [10137239-0021LF](#) [E9320-001-01](#)