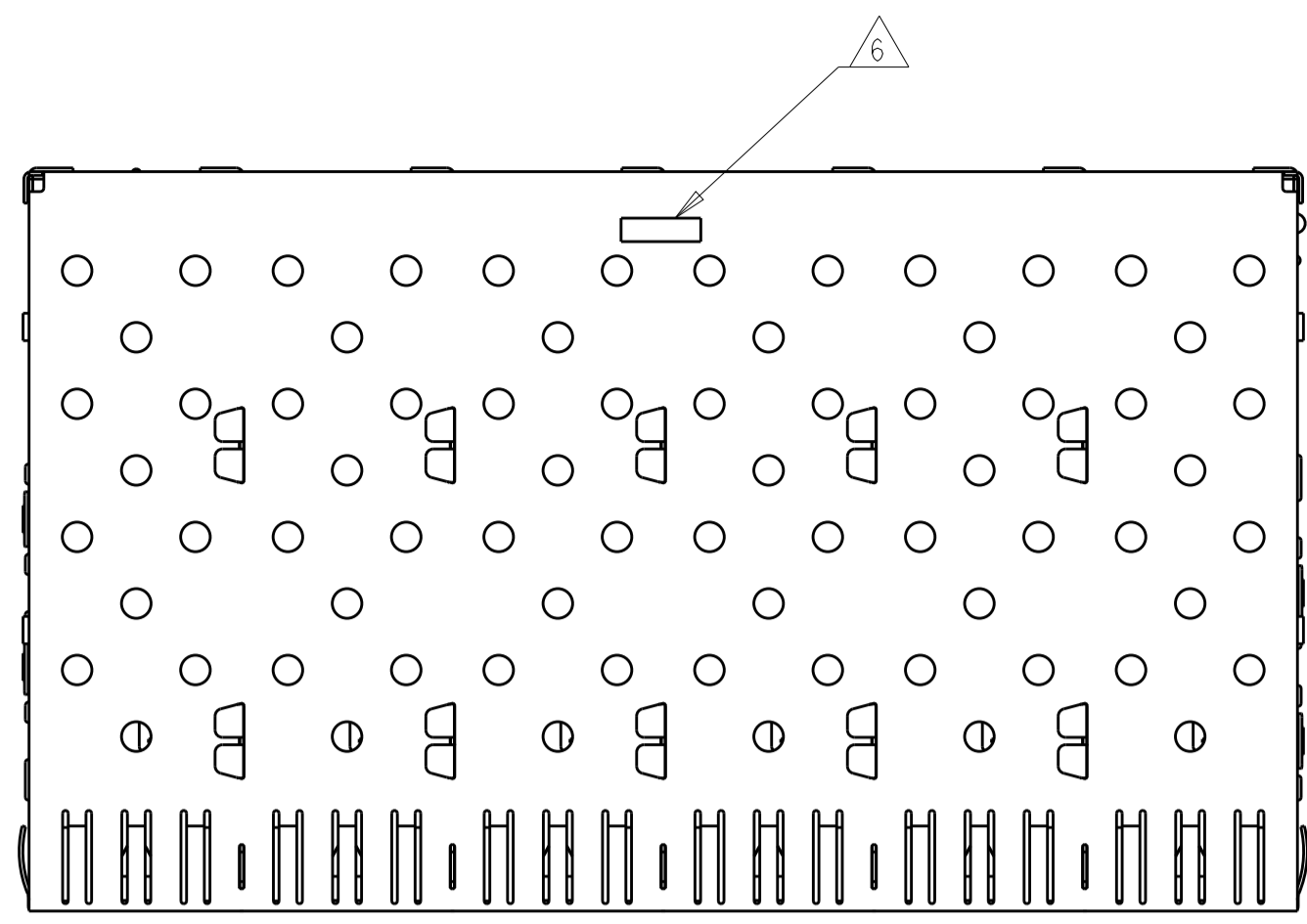
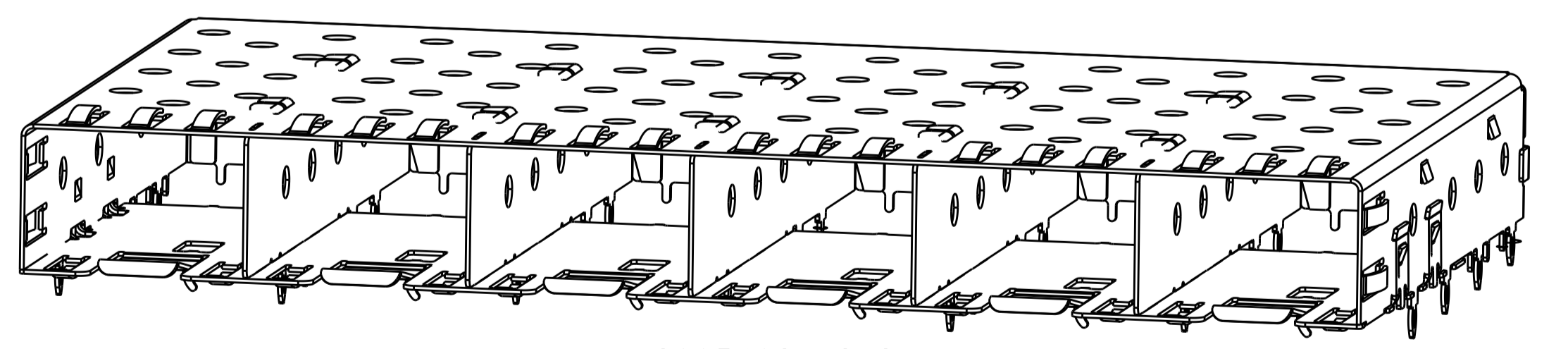
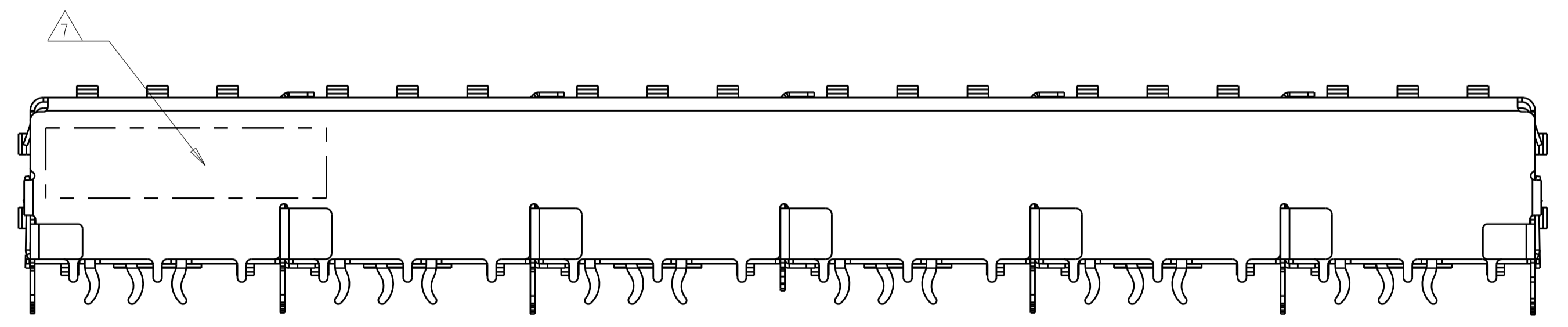
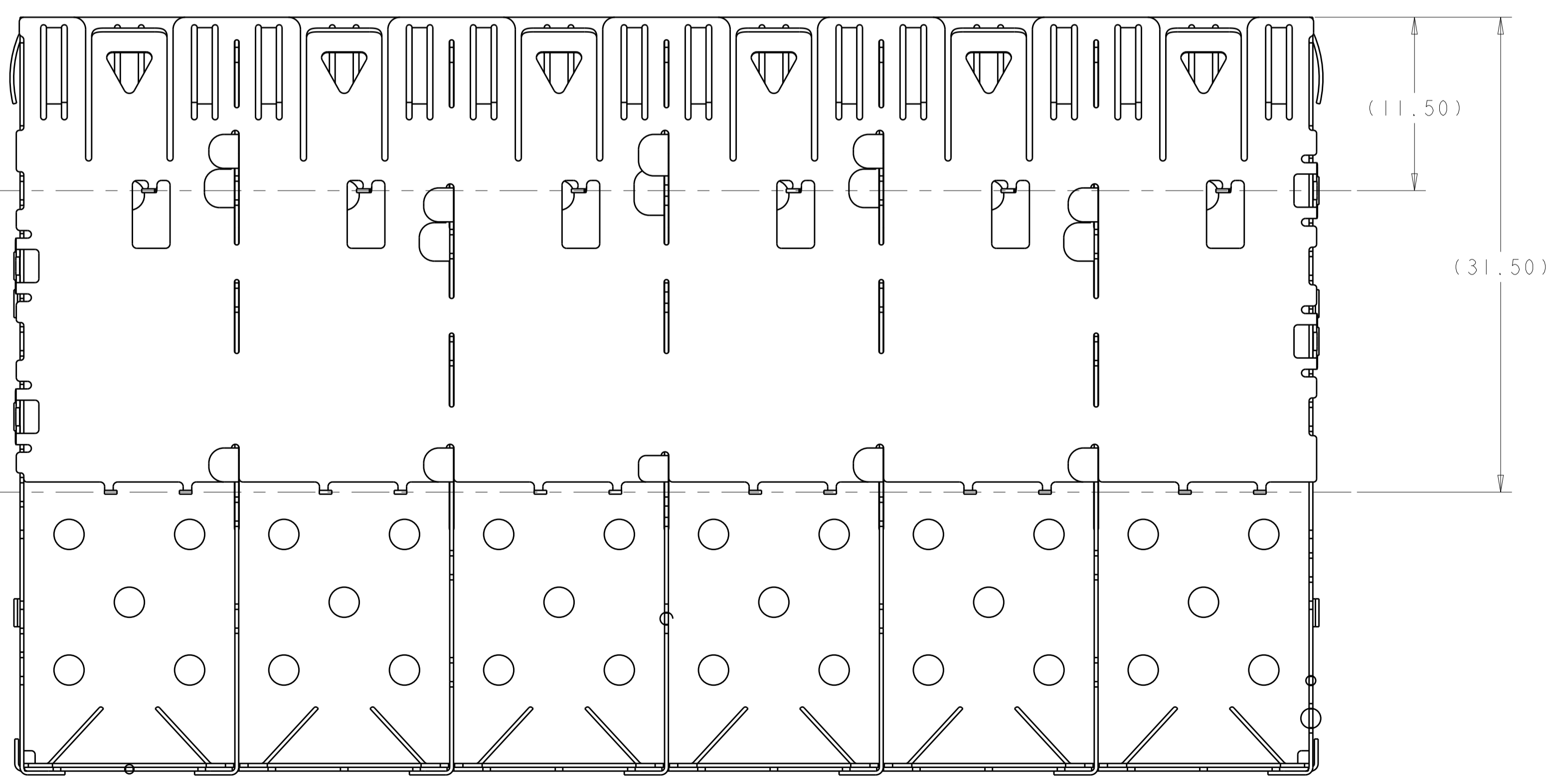
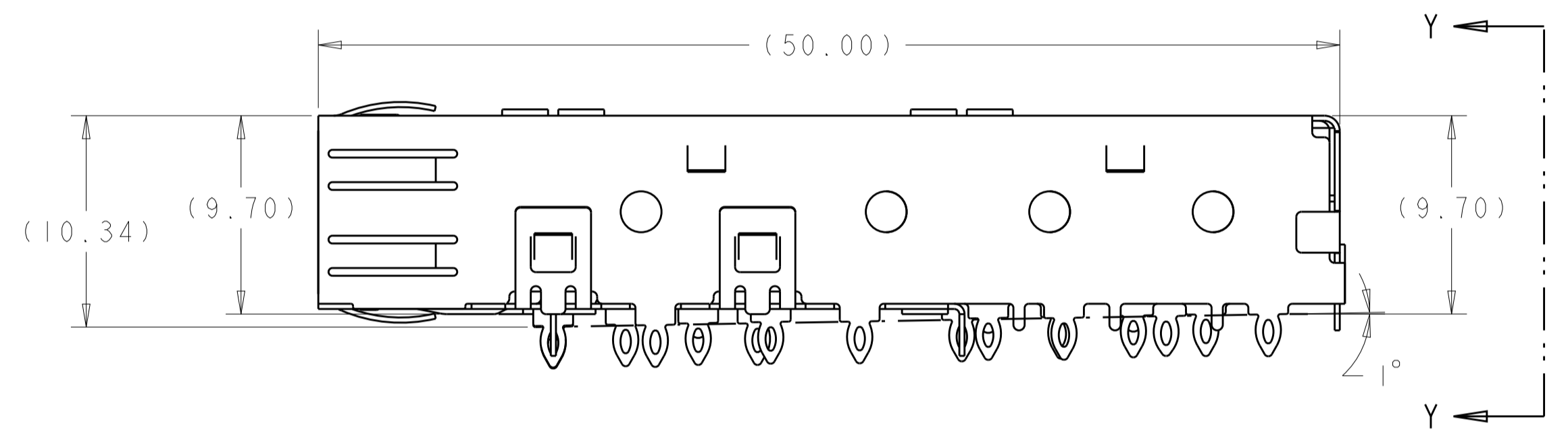
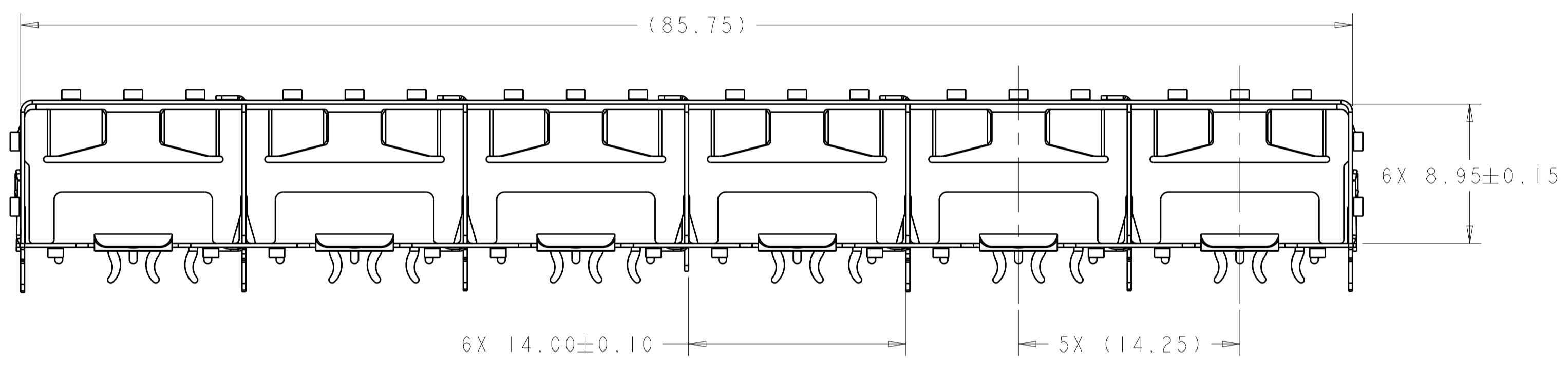


LOC	DIST	REVISIONS			
P	LTN	DESCRIPTION	DATE	DWN	APVD
B		ECO-10-015550	03AUG10	HMR	JP
C		REVISED PER ECO-14-000886	20FEB2014	JW	SH
C1		REVISED PER ECO-14-010419	11JUL2014	JW	SH
D		REVISED PER ECO-15-013594	25SEP2015	JW	SH



SCALE 2:1

- △ MATERIAL: COPPER ALLOY
- △ TIN PLATING PER ASTM B 545, 1.25µm MINIMUM THICKNESS. ALL OVER NICKEL FLASH PER QQ-N-290. NON PLATED EDGES ARE PERMISSIBLE.
- △ DATUM AND BASIC DIMENSIONS ESTABLISHED BY CUSTOMERS.
- △ PADS AND VIAS CHASSIS GROUND.
- △ REFERENCE APPLICATION SPEC 114-13120, HOLE A, FOR RECOMMENDED DRILL HOLE DIAMETER AND PLATING THICKNESSES
- △ COMPANY LOGO IN APPROXIMATE AREA SHOWN
- △ DATE CODE AND PART NUMBER IN APPROXIMATE LOCATION SHOWN
- △ NICKEL SILVER ALLOY(NO PLATING)



2007498-1&2  
SCALE 3:1

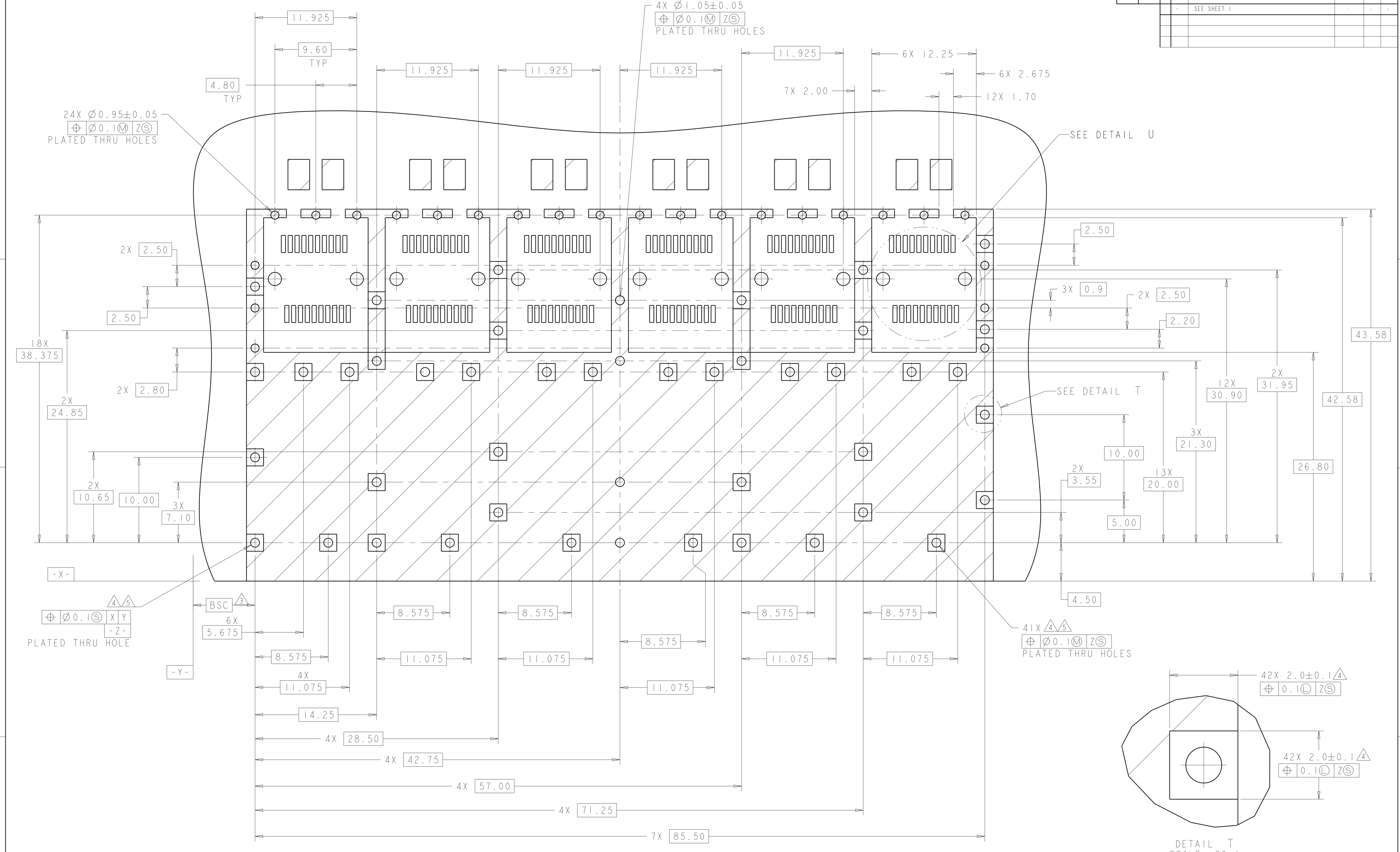
**SUPERSEDED BY:**  
2007498-2

NO	△	1X6 CAGE ASSEMBLY	2007498-2
△	△	1X6 CAGE ASSEMBLY	2007498-1
FINISH	MATERIAL	DESCRIPTION	PART NUMBER
THIS DRAWING IS A CONTROLLED DOCUMENT.			
DIMENSIONS:		DWN B. MCMASTER 03DEC07	
mm		CHK J. KOPPENHEFFER 03DEC07	
0 PLC ±		APVD J. KOPPENHEFFER 03DEC07	
1 PLC ±		PRODUCT SPEC	
2 PLC ±		APPLICATION SPEC	
3 PLC ±		WEIGHT	
4 PLC ±		SIZE CAGE CODE DRAWING NO	
ANGLES ±		RESTRICTED TO	
FINISH		A100779C=2007498	
MATERIAL		CUSTOMER DRAWING	
		SCALE 4:1 SHEET 1 OF 3 REV D	



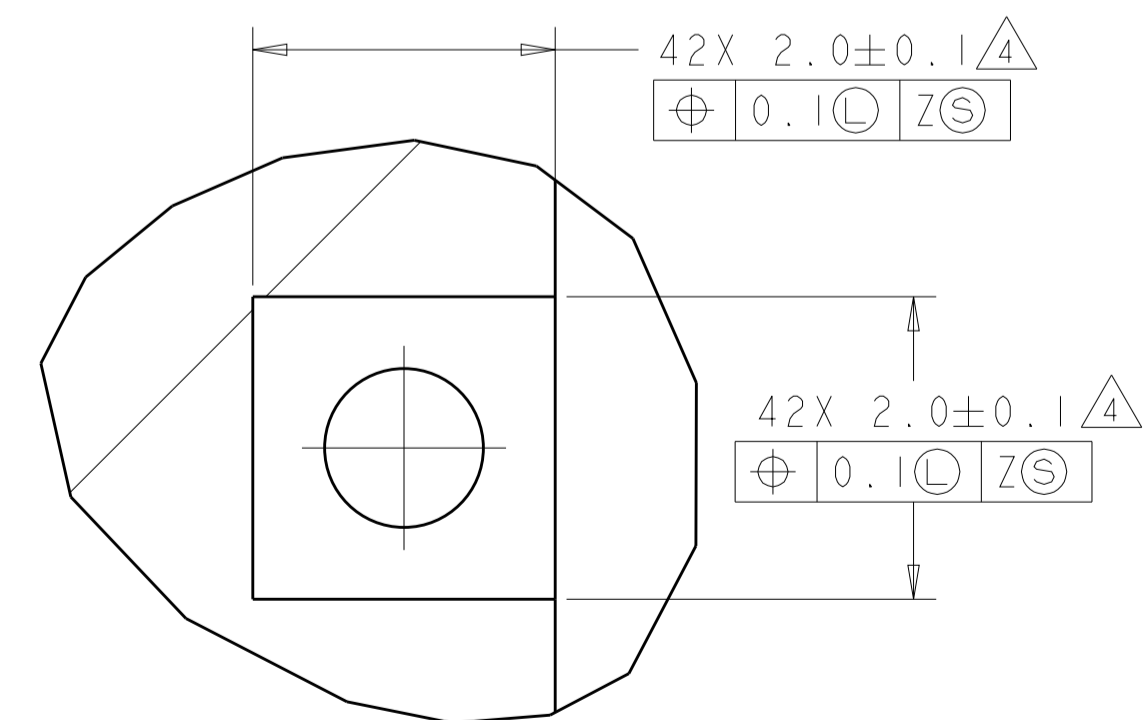
ASSEMBLY, CAGE, PRESS FIT, 1X6, PCI, SFP

LOC		DIST		REVISONS			
GP	00	P	LTN	DESCRIPTION	DATE	DMN	APVD
-	-	-	-	SEE SHEET 1	-	-	-



SEE DETAIL U

SEE DETAIL T

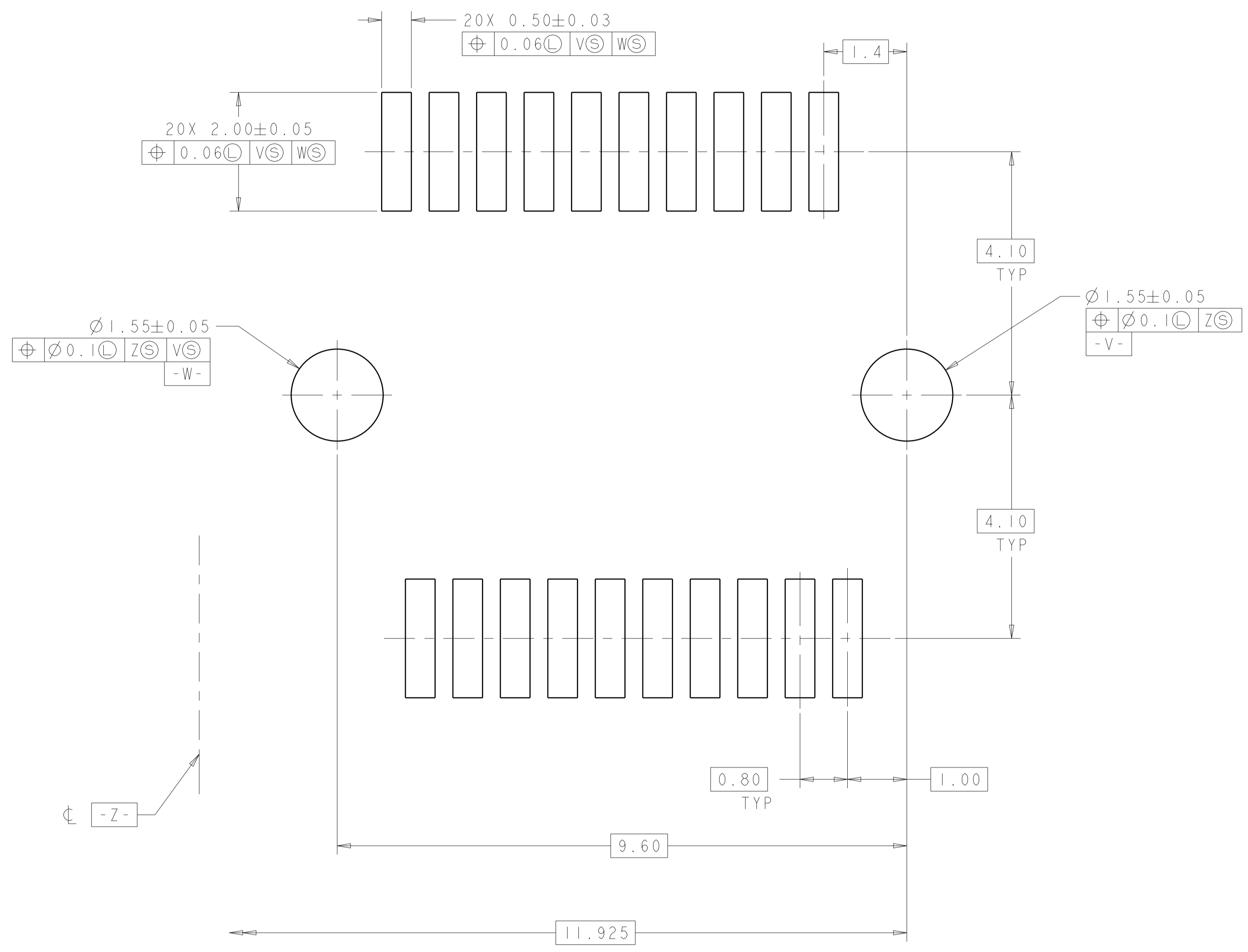


DETAIL T  
SCALE 20:1

RECOMMENDED PCB CONFIGURATION  
SCALE 5:1

THIS DRAWING IS A CONTROLLED DOCUMENT.		DMN B. MCMASTER	03DEC07	TE Connectivity	
DIMENSIONS:		CHK J. KOPPENHEFFER	03DEC07		
TOLERANCES UNLESS OTHERWISE SPECIFIED:		APVD J. KOPPENHEFFER	03DEC07	NAME ASSEMBLY, CAGE, PRESS FIT, 1X6, PCI, SFP	
mm	0 PLC ±	PRODUCT SPEC		SIZE CAGE CODE DRAWING NO	
Ø	1 PLC ±	APPLICATION SPEC		RESTRICTED TO	
PLATED THRU HOLES	2 PLC ±	MATERIAL		A100779C=2007498	
PLATED THRU HOLES	3 PLC ±	FINISH		SCALE 4:1 SHEET 2 OF 3 REV D	
PLATED THRU HOLES	4 PLC ±	WEIGHT		CUSTOMER DRAWING	
ANGLES	±	CUSTOMER DRAWING			

LOC	DIST	REVISIONS			
P	LTN	DESCRIPTION	DATE	DMN	APVD
GP	00	SEE SHEET 1	-	-	-



DETAIL U  
SCALE 20:1

THIS DRAWING IS A CONTROLLED DOCUMENT.		DMN B. MCMASTER 03DEC07	TE Connectivity
DIMENSIONS:		CHK J. KOPPENHEFFER 03DEC07	
TOLERANCES UNLESS OTHERWISE SPECIFIED:		APVD J. KOPPENHEFFER 03DEC07	
mm		NAME ASSEMBLY, CAGE, PRESS FIT, 1X6, PCI, SFP	
0 PLC ±	1 PLC ±	PRODUCT SPEC	SIZE CAGE CODE DRAWING NO
2 PLC ±	3 PLC ±	APPLICATION SPEC	A100779C=2007498
4 PLC ±	ANGLES ±	RESTRICTED TO	
MATERIAL	FINISH	WEIGHT	SCALE 4:1 SHEET 3 OF 3 REV D
		CUSTOMER DRAWING	

## X-ON Electronics

Largest Supplier of Electrical and Electronic Components

*Click to view similar products for [I/O Connectors](#) category:*

*Click to view products by [TE Connectivity](#) manufacturer:*

Other Similar products are found below :

[571763P](#) [58098-0628](#) [72.250.1628.2](#) [72.250.2428.2](#) [74720-0505](#) [76.350.0729.0](#) [76871-1403](#) [FCN-244F080-G/1](#) [FCN-260A9920](#) [PCR-E36PM](#) [PCS-XE26MA+](#) [G38A71314B](#) [1571250010](#) [157-22500-3](#) [MS3471L14-19P L/C](#) [172501-4002](#) [172501-6002](#) [FCN-260C008-A/L0](#) [FCN-260C024-AL0](#) [FCN-261Z008](#) [2000314-1](#) [200331-1](#) [PCR-E36FC+](#) [PCS-E28FS+](#) [PCS-XE26SLFD+](#) [PCS-XE26SLFDT+](#) [G730VID08BDC24](#) [U90B2054081210](#) [38113800006](#) [DP3AR020WQ1R200](#) [Z4.102.0680.0](#) [500-1040](#) [500-1052](#) [500-1054](#) [ZP-4008-66L](#) [0709821002](#) [DX40-20P\(55\)](#) [5554841-1](#) [MS3474W18-8P-LC\\*](#) [U90B3054061110](#) [U65-E04-4020](#) [ZPF000000000097891](#) [747360449](#) [10099439-003C-TRLF](#) [10137239-0021LF](#) [E9320-001-01](#) [10137239-0011LF](#) [70289-001LF](#) [70.060.1028.0](#) [109029-ZZ](#)