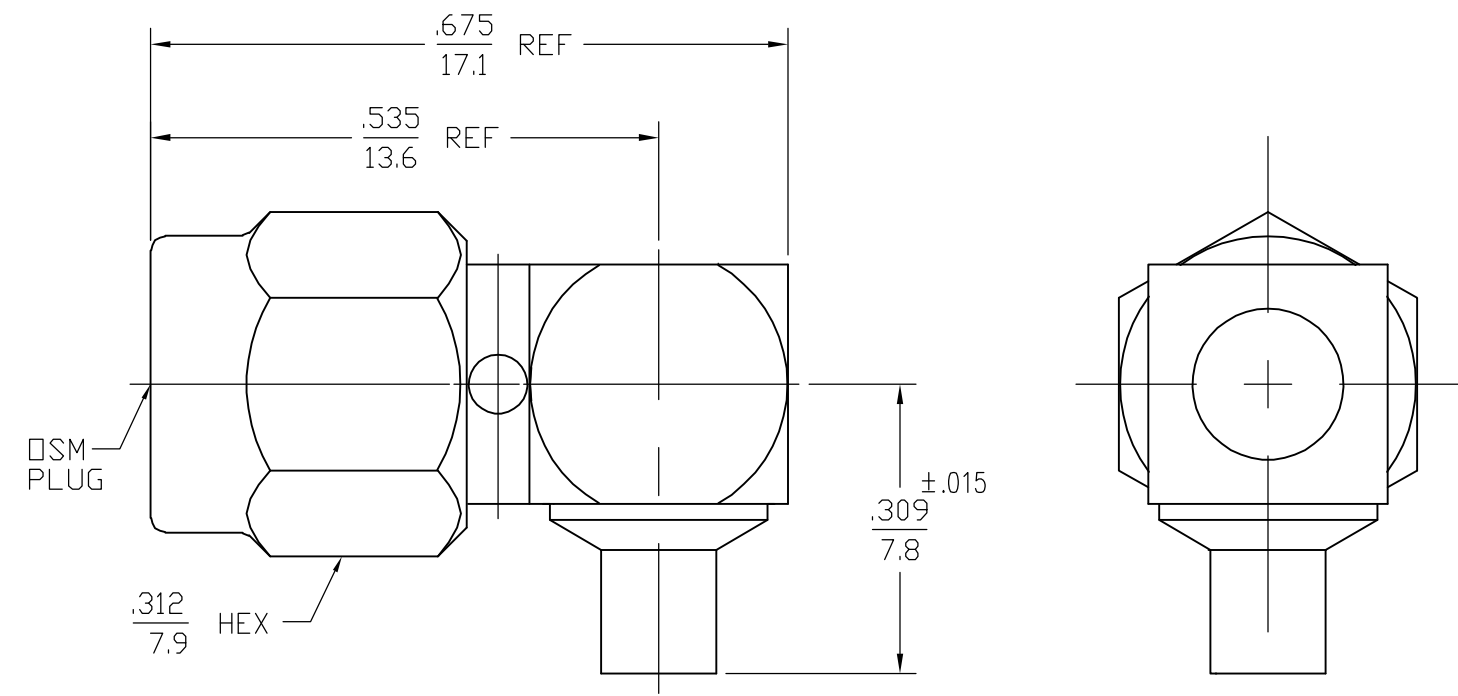


THIS DRAWING IS UNPUBLISHED. RELEASED FOR PUBLICATION  
 © COPYRIGHT - BY TYCO ELECTRONICS CORPORATION. ALL RIGHTS RESERVED.

LOC	DIST	REVISIONS					
AJ	16	P	LTR	DESCRIPTION	DATE	DWN	APVD
		B		REVISED PER ECO-05-007687	02SEP05	BM	KW



- DESIGNED FOR USE WITH .085 SEMI-RIGID CABLE. CABLE ENTRY DIAMETER: HOUSING .088 MIN CONTACT .037 MIN
- USE INSTRUCTION SHEET 408-4944.

COUPLING NUT	STAINLESS STEEL PER ASTM-A484 AND ASTM-A582, TYPE 303	PASSIVATE PER ASTM-A380
HOUSING CAP	STAINLESS STEEL PER ASTM-A484 AND ASTM-A582, TYPE 303	GOLD PLATE PER MIL-G-45204
DIELECTRIC	TFE FLUOROCARBON PER ASTM-D-1457	N/A
CENTER CONTACT	BERYLLIUM COPPER PER ASTM B 196, ALLOY C17300, CONDITION H	GOLD PLATE PER MIL-G-45204
RETAINING RING	BERYLLIUM COPPER PER ASTM B 194, ALLOY C17200, CONDITION H	N/A
GASKET	SILICONE RUBBER PER ZZ-R-765	N/A

ELECTRICAL	MECHANICAL	ENVIRONMENTAL
Nominal Impedance (Ohms) 50	Interface Dimensions MIL-STD-348A, Fig. 310.1	TEMPERATURE RATING -65°C TO +165°C
Frequency Range (GHz) DC to 18	Recommended Mating Torque 7-10 in-lbs	Vibration MIL-STD-202, Method 204, Condition D.
Volt Rating (VRMS MAX) @ Sea Level 335	Mating Characteristics:	Shock MIL-STD-202, Method 213, Condition I.
VSWR 1.18 ±.015F (GHz)	Insertion (MAX Lbs) N/A	Thermal Shock MIL-STD-202, Method 107, Condition B, EXCEPT HIGH TEMP +115°C
Insertion Loss (dB MAX) .05 √F(GHz)	Withdrawal (MIN Oz) N/A	Moisture Resistance MIL-STD-202, Method 106
RF Leakage (dB MIN) -90 @ 2-3 GHz	Force to Engage and Disengage (In-Lbs MAX) 2.0	Corrosion - MIL-STD-202, Method 101, Condition B, 5% salt spray
Corona, 70,000 Ft (VRMS MIN) 250	Center Contact Captivation Axial (Lbs) 6.0	
Dielectric Withstanding Voltage (VRMS MIN) @ Sea Level 1,000	Radial (In-Oz) N/A	
Contact Resistance (Milliohms MAX) Center Contact 4.0	Cable Retention Axial Force (Lbs MIN) 30	
Outer Contact 2.0	Torque (In-Oz) 16	
Cable to Housing 0.5	Weight (Grams) TBD	
RF High Potential @ Sea Level (VRMS MIN @ 5 MHz) 670		
I.R.(Megohms MIN) 5,000		

.XXX = in  
 XX.X = mm

COMPONENT	MATERIAL	FINISH	1051114-1																														
THIS DRAWING IS A CONTROLLED DOCUMENT.			PART NUMBER																														
DIMENSIONS: INCHES[mm]	TOLERANCES UNLESS OTHERWISE SPECIFIED:	<table border="1"> <tr> <td>DWN R.B.G.</td> <td>11-19-76</td> <td rowspan="2"><b>tyco</b> Electronics</td> <td colspan="2">Tyco Electronics Corporation Harrisburg, PA 17105-3608</td> </tr> <tr> <td>CHK E.C.A.</td> <td>11-23-76</td> <td colspan="2">NAME OSM HIGH FREQUENCY, RIGHT ANGLE CABLE PLUG DIRECT SOLDER</td> </tr> <tr> <td></td> <td></td> <td>APVD R.M.F.</td> <td>12-2-76</td> <td></td> </tr> <tr> <td></td> <td></td> <td>PRODUCT SPEC</td> <td colspan="2">-</td> </tr> <tr> <td></td> <td></td> <td>APPLICATION SPEC</td> <td colspan="2">-</td> </tr> <tr> <td></td> <td></td> <td>WEIGHT</td> <td colspan="2">-</td> </tr> </table>			DWN R.B.G.	11-19-76	<b>tyco</b> Electronics	Tyco Electronics Corporation Harrisburg, PA 17105-3608		CHK E.C.A.	11-23-76	NAME OSM HIGH FREQUENCY, RIGHT ANGLE CABLE PLUG DIRECT SOLDER				APVD R.M.F.	12-2-76				PRODUCT SPEC	-				APPLICATION SPEC	-				WEIGHT	-	
DWN R.B.G.	11-19-76	<b>tyco</b> Electronics	Tyco Electronics Corporation Harrisburg, PA 17105-3608																														
CHK E.C.A.	11-23-76		NAME OSM HIGH FREQUENCY, RIGHT ANGLE CABLE PLUG DIRECT SOLDER																														
		APVD R.M.F.	12-2-76																														
		PRODUCT SPEC	-																														
		APPLICATION SPEC	-																														
		WEIGHT	-																														
MATERIAL	FINISH	SIZE	CAGE CODE	DRAWING NO																													
-	-	A3	00779	1051114-1																													
CUSTOMER DRAWING			RESTRICTED TO	-																													
SCALE 5:1			SHEET 1 of 1	REV B																													

## X-ON Electronics

Largest Supplier of Electrical and Electronic Components

*Click to view similar products for [RF Connectors / Coaxial Connectors](#) category:*

*Click to view products by [TE Connectivity](#) manufacturer:*

Other Similar products are found below :

[8915-1511-000](#) [89674-0827](#) [6001-7071-019](#) [6002-7051-003](#) [6002-7551-202](#) [6059674-1](#) [619550-1](#) [630059-000](#) [M39030/3-01N](#) [6500-7071-046](#) [6769](#) [CX050L2AQ](#) [7002-1541-010](#) [7002-1542-011](#) [7004-1512-000](#) [7009-1511-004](#) [7010-1511-000](#) [7029-1511-060](#) [7101-1541-010](#) [7101-1571-002](#) [7105-1521-002](#) [7145-1521-002](#) [7203-1571-003](#) [7209-1511-011](#) [7210-1511-015](#) [7210-1511-019](#) [73137-5015](#) [73216-2241](#) [73404-2300](#) [7405-1521-005](#) [7405-1521-802](#) [8527](#) [8547](#) [FS11V](#) [877931](#) [8808-1511-001](#) [9074-9513-000](#) [9101-9573-002](#) [910A205F](#) [9130-9573-002](#) [PL11SC-026](#) [PL375-33](#) [PL40-5](#) [PL74C-221](#) [PL75MC-217](#) [PL803-7](#) [1200690078](#) [1-201144-1](#) [R107003010W](#) [R110A172100](#)