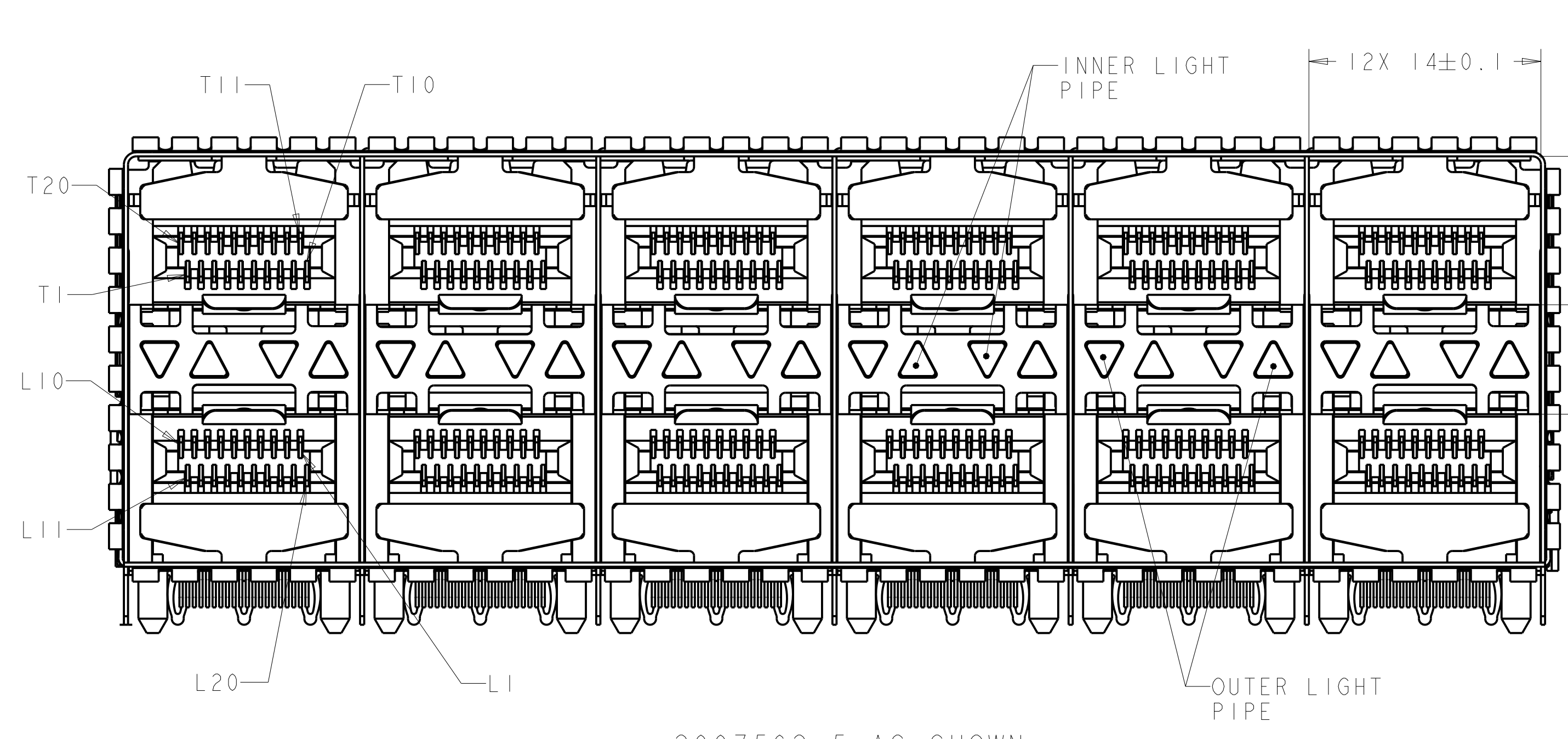
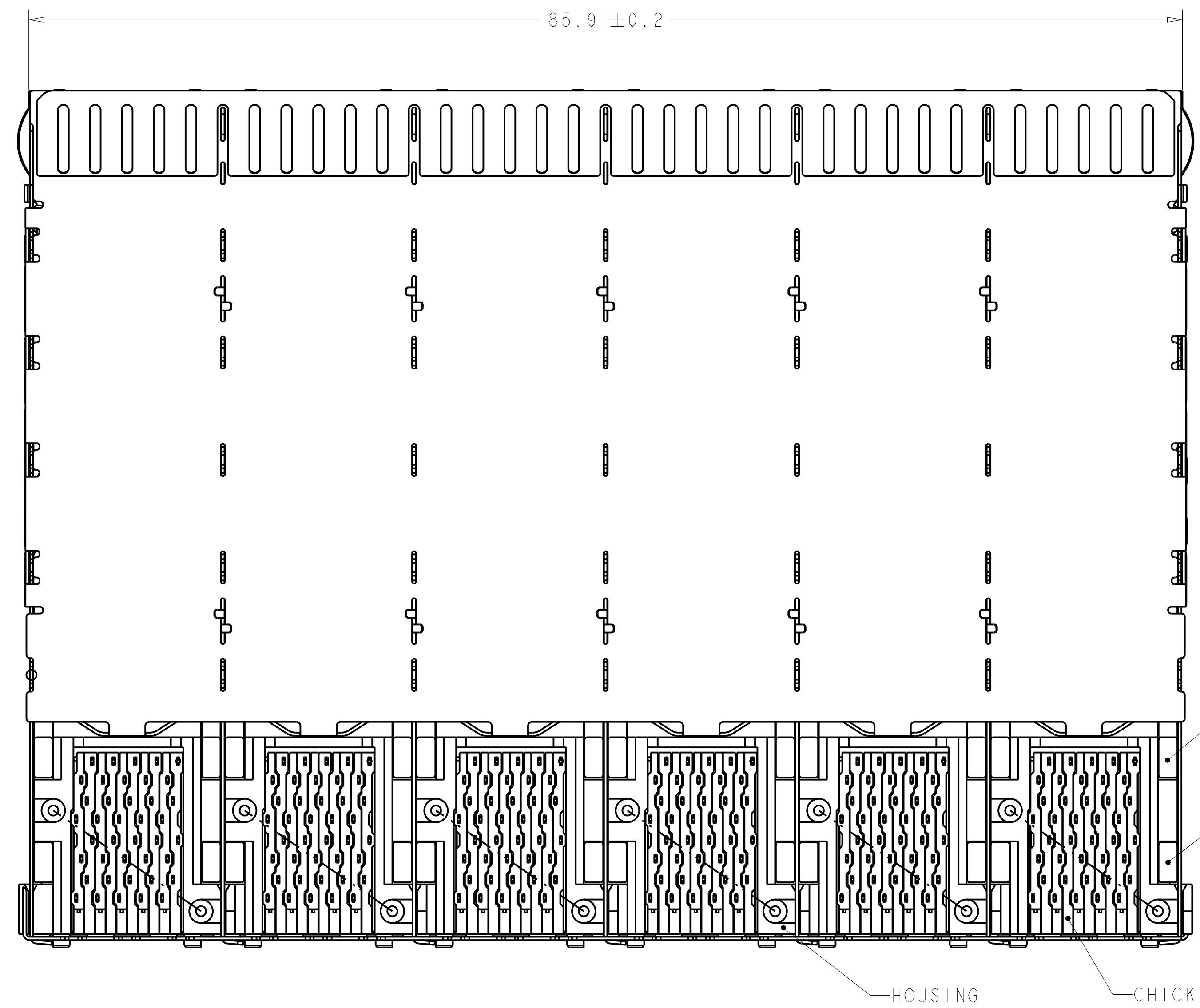
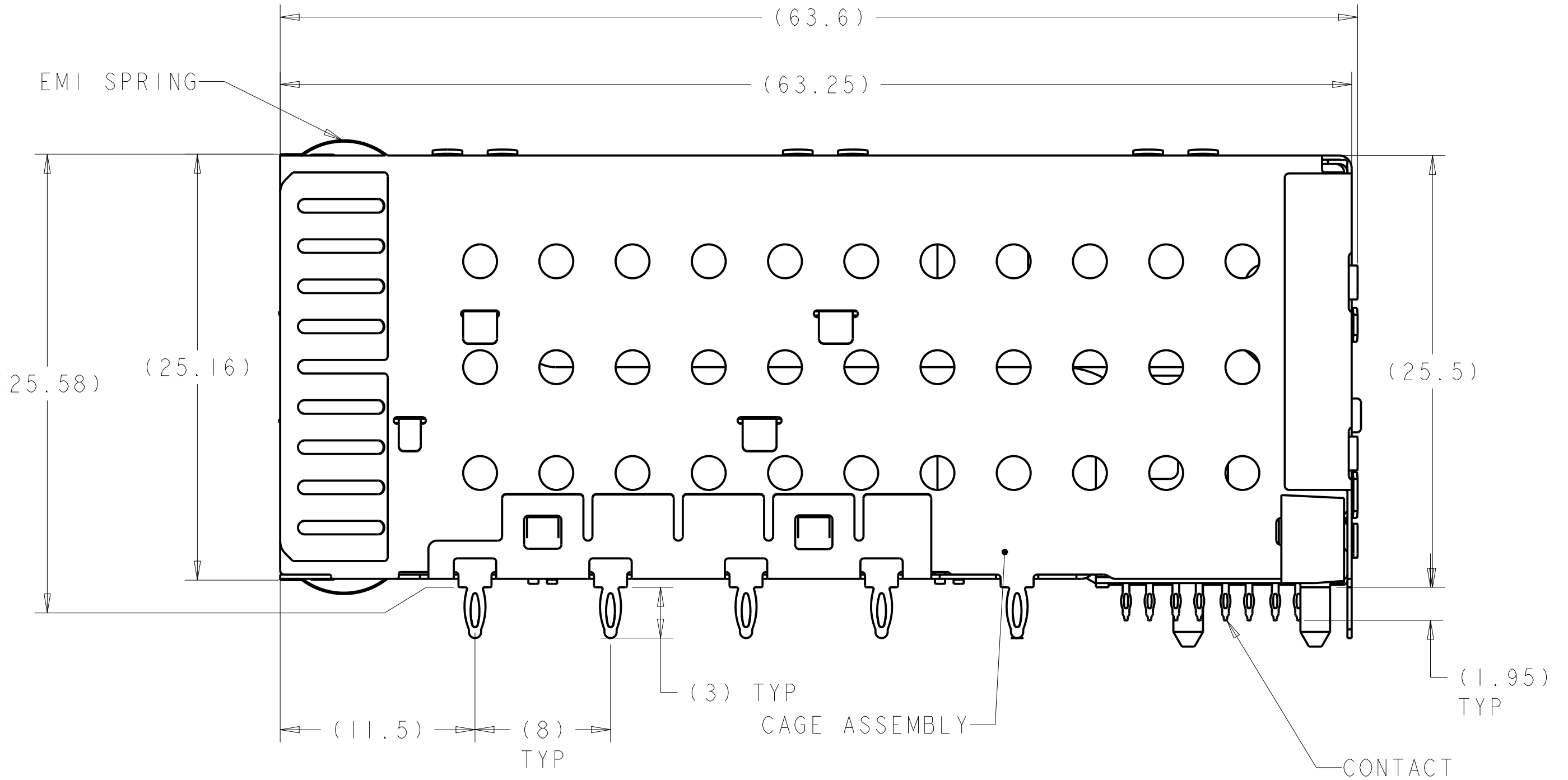


LOC	DIST	REVISIONS			
GP	00	REV	DATE	BY	APPV
		D	04APR2016	AP	RP
		E	06SEP2018	IT	SH
		E1	28AUG2020	IT	SH



2007562-5 AS SHOWN



- △ MATERIALS:  
 CAGE ASSEMBLY- NICKEL SILVER ALLOY PER ASTM B 122.  
 EMI SPRING- COPPER ALLOY.  
 HOUSING- BLACK LCP, UL 94V-0 RATED.  
 CHICKLET- BLACK LCP, UL 94V-0 RATED.  
 LIGHT PIPE- POLYCARBONATE, CLEAR.  
 INSERT- LCP, BLACK, UL 94V-0.  
 CONTACT- COPPER ALLOY.
- △ DATUM AND BASIC DIMENSIONS ESTABLISHED BY CUSTOMER.
- 3. MINIMUM PCB THICKNESS OF 1.5.
- △ CONTACT FINISH- CONFORMS TO THE REQUIREMENTS OF TYCO ELECTRONICS PRODUCT SPECIFICATION 108-2331, BASED ON EIA/ECA-364-1000.01A, (CONTROLLED ENVIRONMENT APPLICATIONS) ON MATING INTERFACE, TIN-LEAD ON NEEDLE EYE.
- △ CONTACT FINISH- CONFORMS TO THE REQUIREMENTS OF TYCO ELECTRONICS PRODUCT SPECIFICATION 108-2331 BASED ON EIA/ECA-364-1000.01A, (CONTROLLED ENVIRONMENT APPLICATIONS) ON MATING INTERFACE, TIN ON NEEDLE EYE.

- △ FOR HOLE SIZE AND PLATINGS, SEE APPLICATION SPEC 114-13219.
- △ THE ENTIRE AREA OF THE CONNECTOR FOOTPRINT, INDICATED BY THE DASHED LINE, TO BE CONSIDERED THE KEEPOUT AREA FOR COMPONENTS AND SIGNAL TRACES, TOP SIDE ONLY. TOP SIDE TRACES ALLOWED WITHIN CONNECTOR HOLE PATTERN.
- △ LIGHT PIPE PAD LAYOUT IS FOR 0805 LOW PROFILE LED PACKAGE WITH A HEIGHT OF 0.8mm.
- △ EMI SPRING FINISH: 0.8µm MINIMUM MATTE TIN OVER 0.8µm MINIMUM NICKEL, NONPLATED EDGES PERMISSIBLE.
- △ ADDITIONAL COMPONENT LOCATED WITHIN LATCH PLATE FOR EMI SUPPRESSION.
- △ CAGE ASSEMBLY FINISH: NICKEL PLATING 1.27UM MIN ALL OVER, EDGE EXPOSED ARE ALLOWED. CONTACT FINISH: CONFORMS TO THE REQUIREMENTS OF TYCO ELECTRONICS PRODUCT SPECIFICATION 108-2331 BASED ON EIA/ECA-364-1000.01A, (CONTROLLED ENVIRONMENT APPLICATIONS) ON MATING INTERFACE, TIN ON NEEDLE EYE.

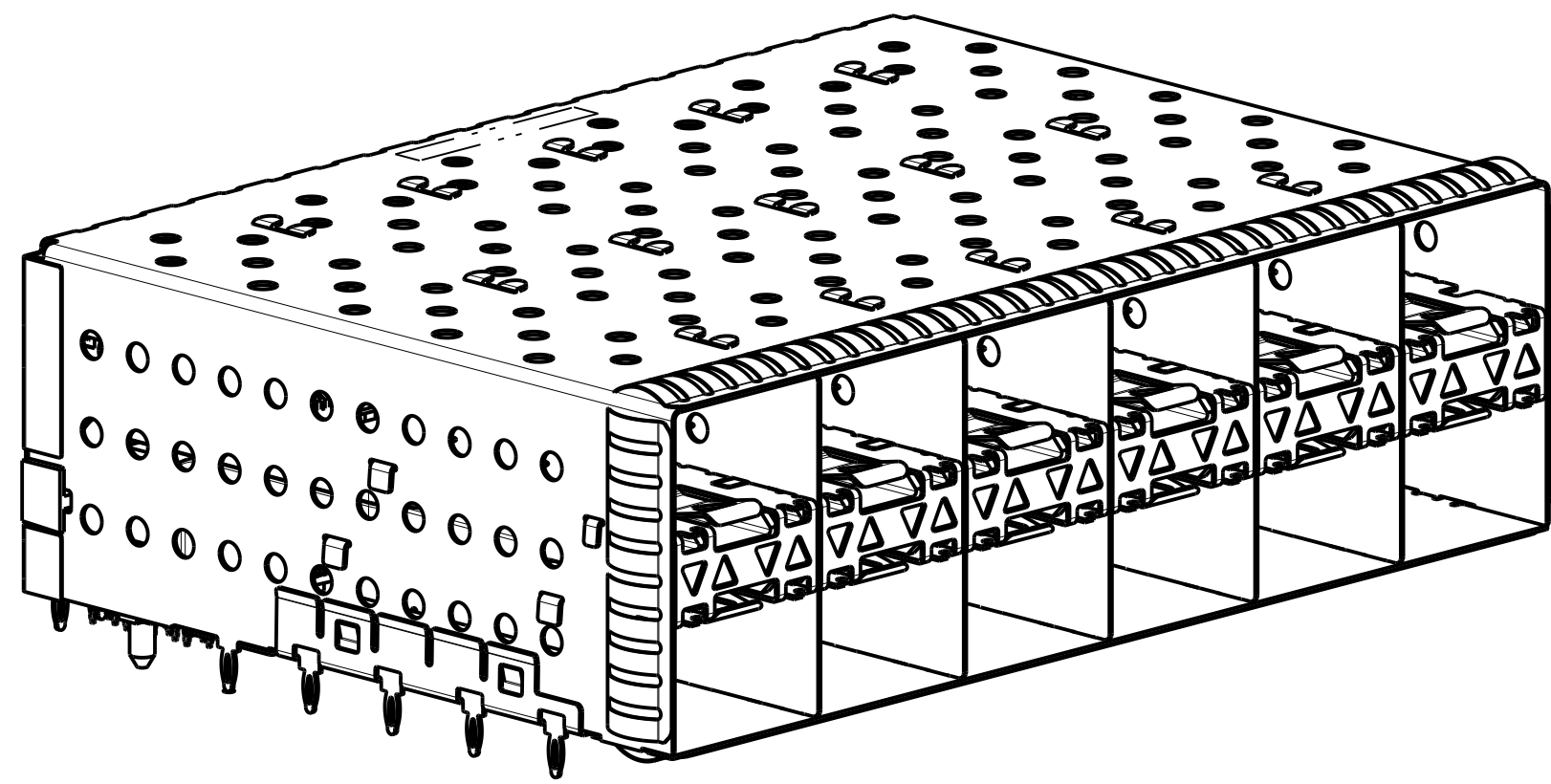
NO	DESCRIPTION	PART NUMBER
NO	NO LIGHT PIPES	2-2007562-8
YES	INNER 2 LIGHT PIPES	1-2007562-9
	NO LIGHT PIPES	1-2007562-8
NO	OUTER 2 LIGHT PIPES	1-2007562-7
	INNER 2 LIGHT PIPES	1-2007562-6
	4 LIGHT PIPES	1-2007562-5
NO	NO LIGHT PIPES	2007562-8
	OUTER 2 LIGHT PIPES	2007562-7
	INNER 2 LIGHT PIPES	2007562-6
NO	4 LIGHT PIPES	2007562-5
ENHANCED EMI FINISH	DESCRIPTION	PART NUMBER

THIS DRAWING IS A CONTROLLED DOCUMENT. DIMENSIONING AND TOLERANCING PER: ASME Y14.5M-2009. DIMENSIONS: mm. TOLERANCES UNLESS OTHERWISE SPECIFIED: 0 PLC ±0.10, 1 PLC ±0.10, 2 PLC ±0.10, 3 PLC ±0.10, 4 PLC ±0.10, ANGLES ±°. MATERIAL: FINISH: 4 5 9. CUSTOMER DRAWING. SCALE: 4:1. SHEET 1 OF 4. REV E1.

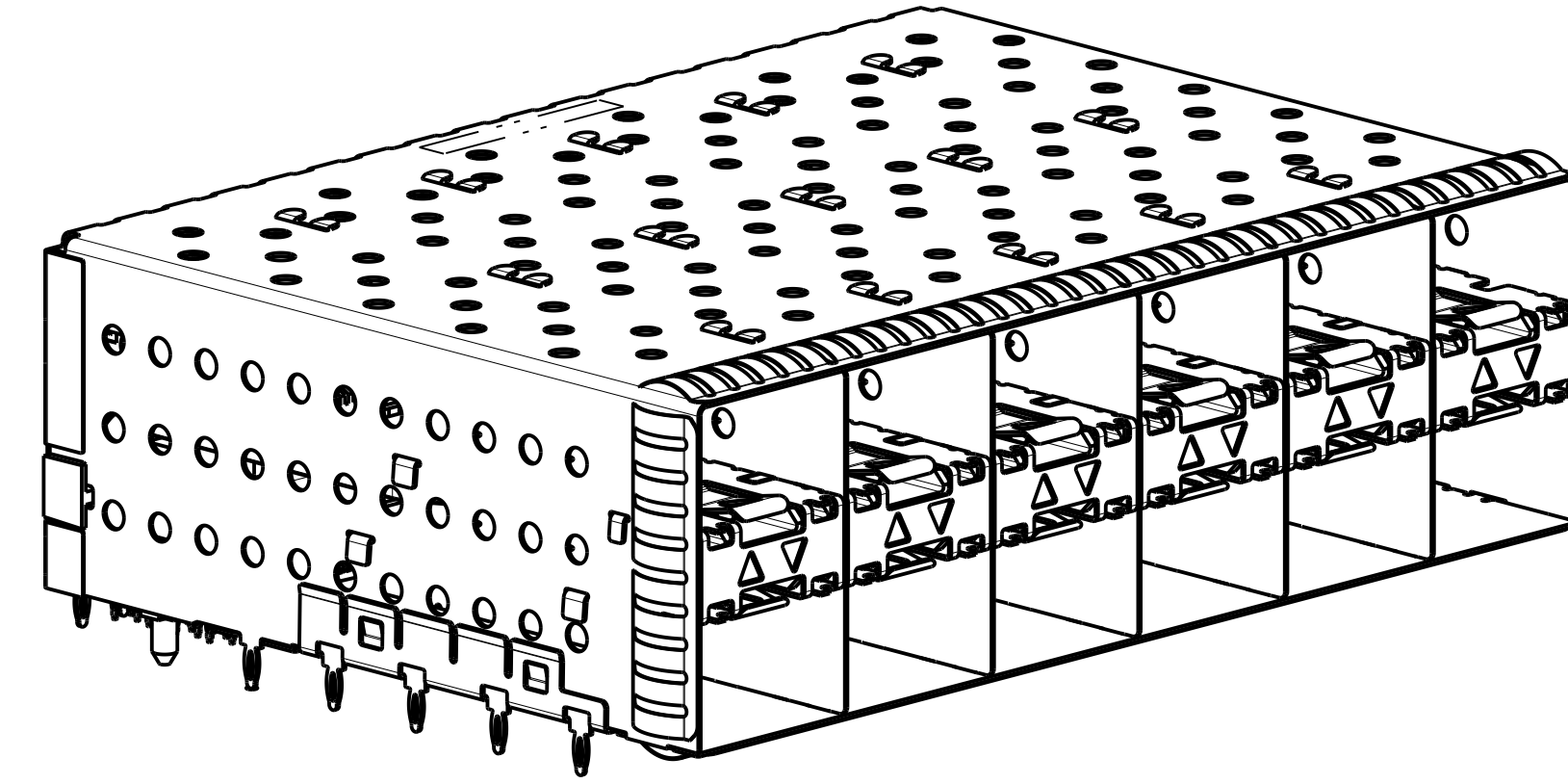
DATE: 14JAN2008. CHK: D. SZCZESNY. APVD: D. SZCZESNY. PRODUCT SPEC: 108-2331. APPLICATION SPEC: 114-13219. WEIGHT: . WEIGHT: .

**STE** TE Connectivity  
 NAME: CAGE AND PT CONNECTOR ASSEMBLY, WITH EMI SPRINGS, PRESS FIT, 2X6, STACKED SFP+  
 SIZE: CAGE CODE DRAWING NO: A100779. DRAWING NO: C=2007562. RESTRICTED TO: A100779. SCALE: 4:1. SHEET 1 OF 4. REV E1.

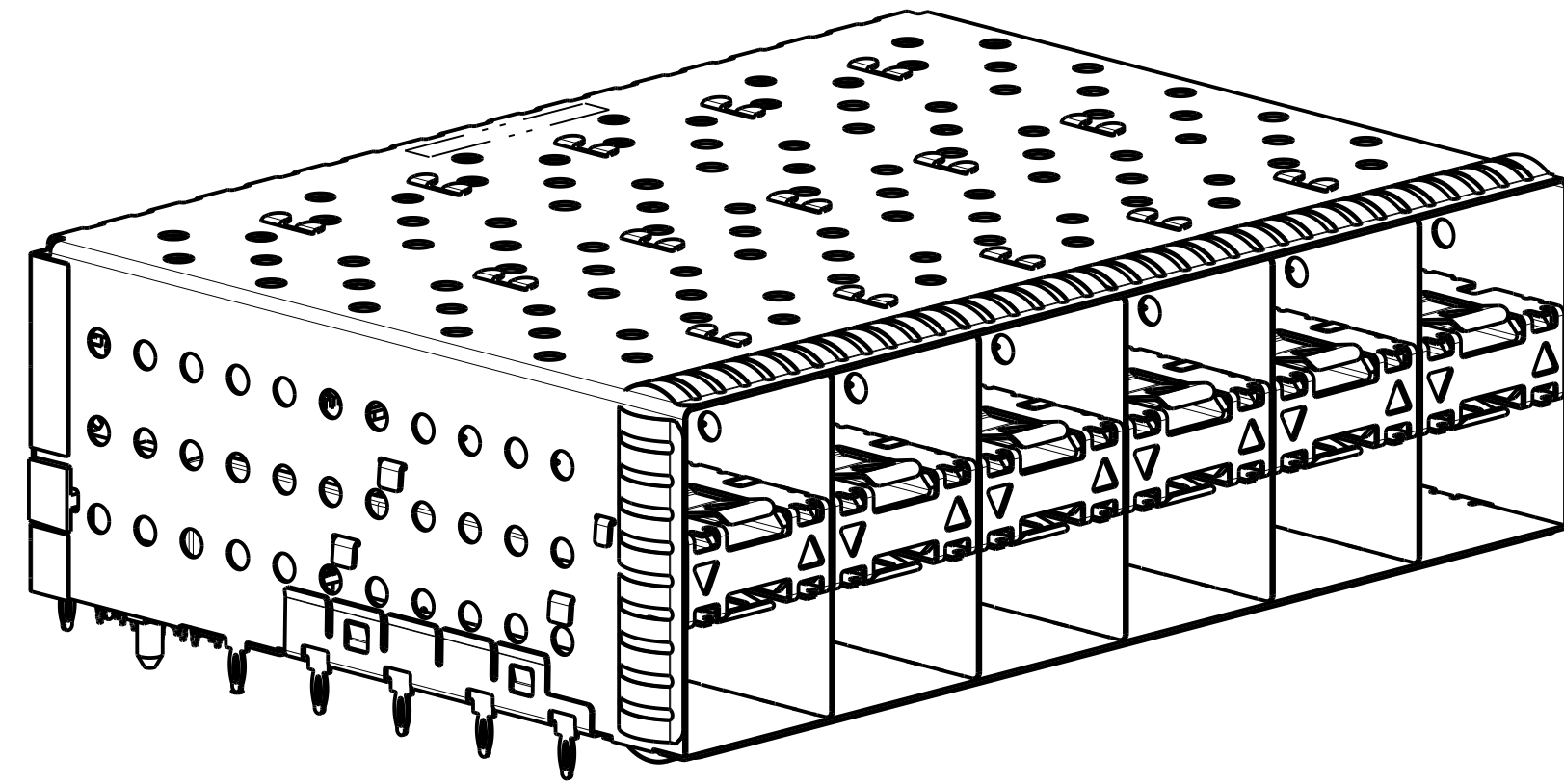
LOC	DIST	REV	DATE	BY	APPV
		1			
		2			
		3			
		4			



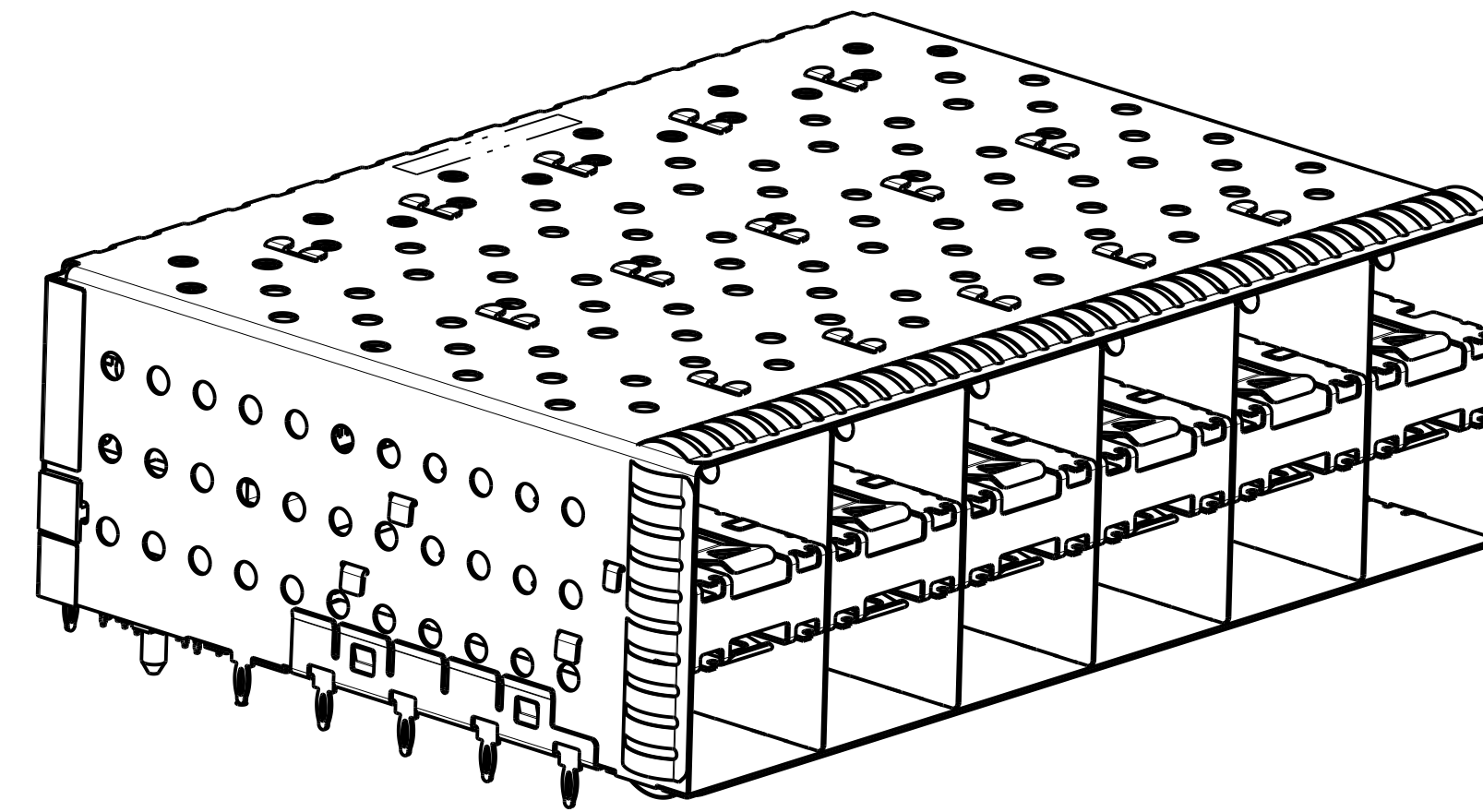
2007562-5 AND 1-2007562-5  
 SCALE 2:1



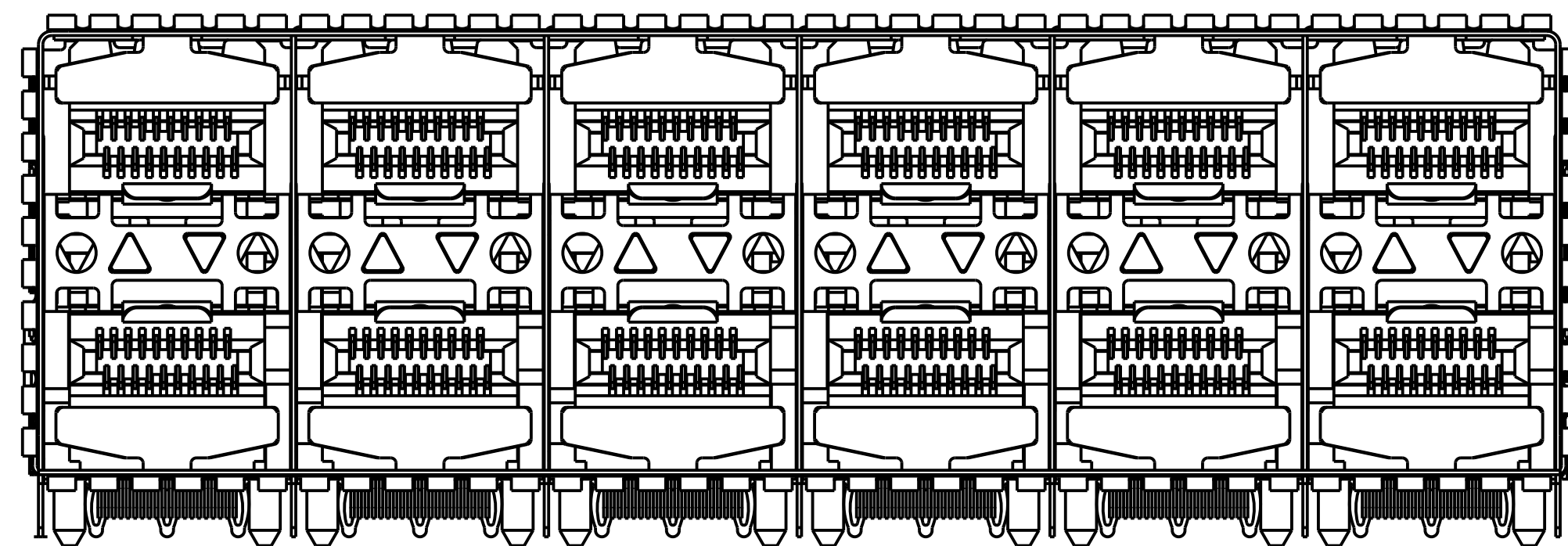
2007562-6 AND 1-2007562-6  
 SCALE 2:1



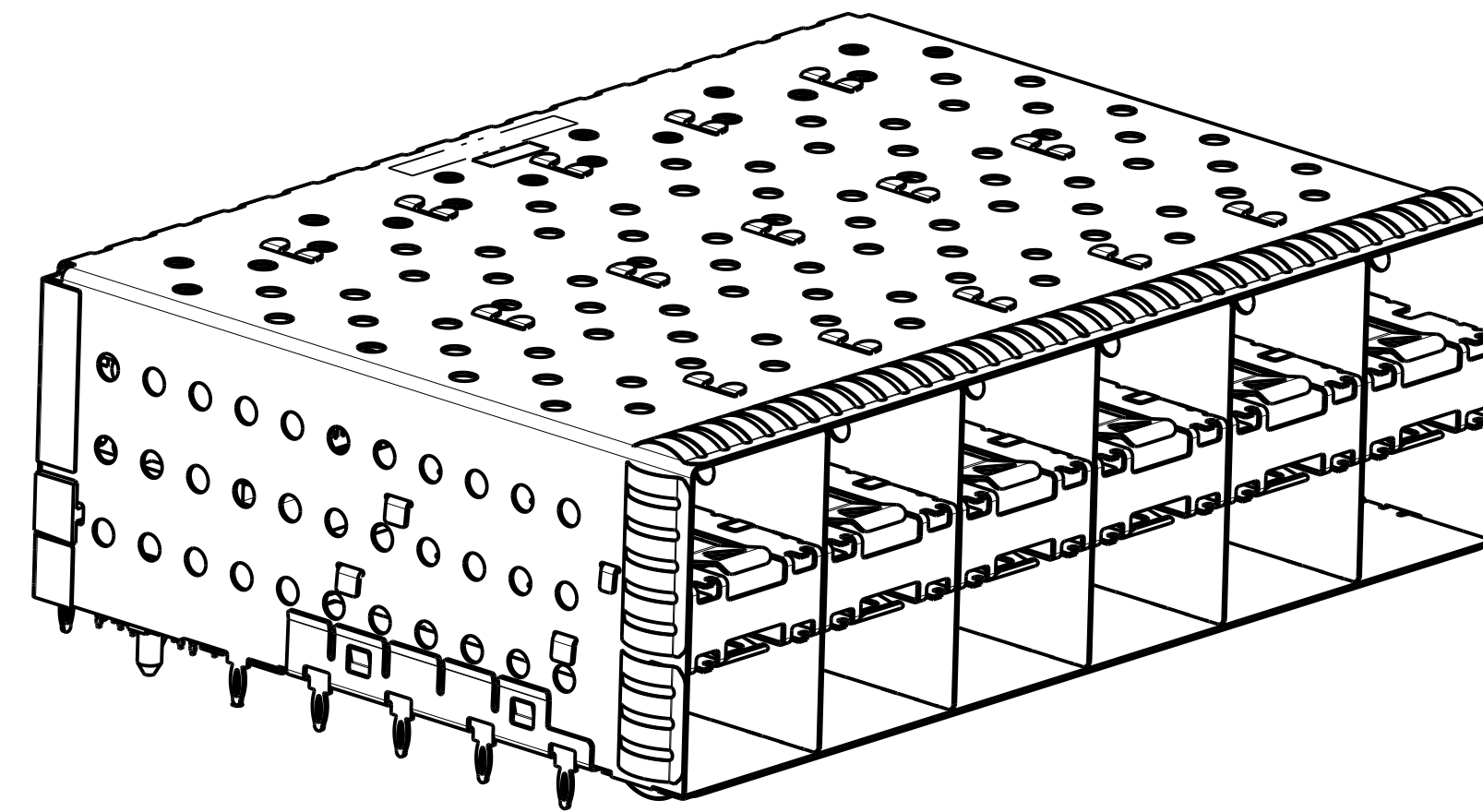
2007562-7 AND 1-2007562-7  
 SCALE 2:1



2007562-8 AND 1-2007562-8  
 SCALE 2:1



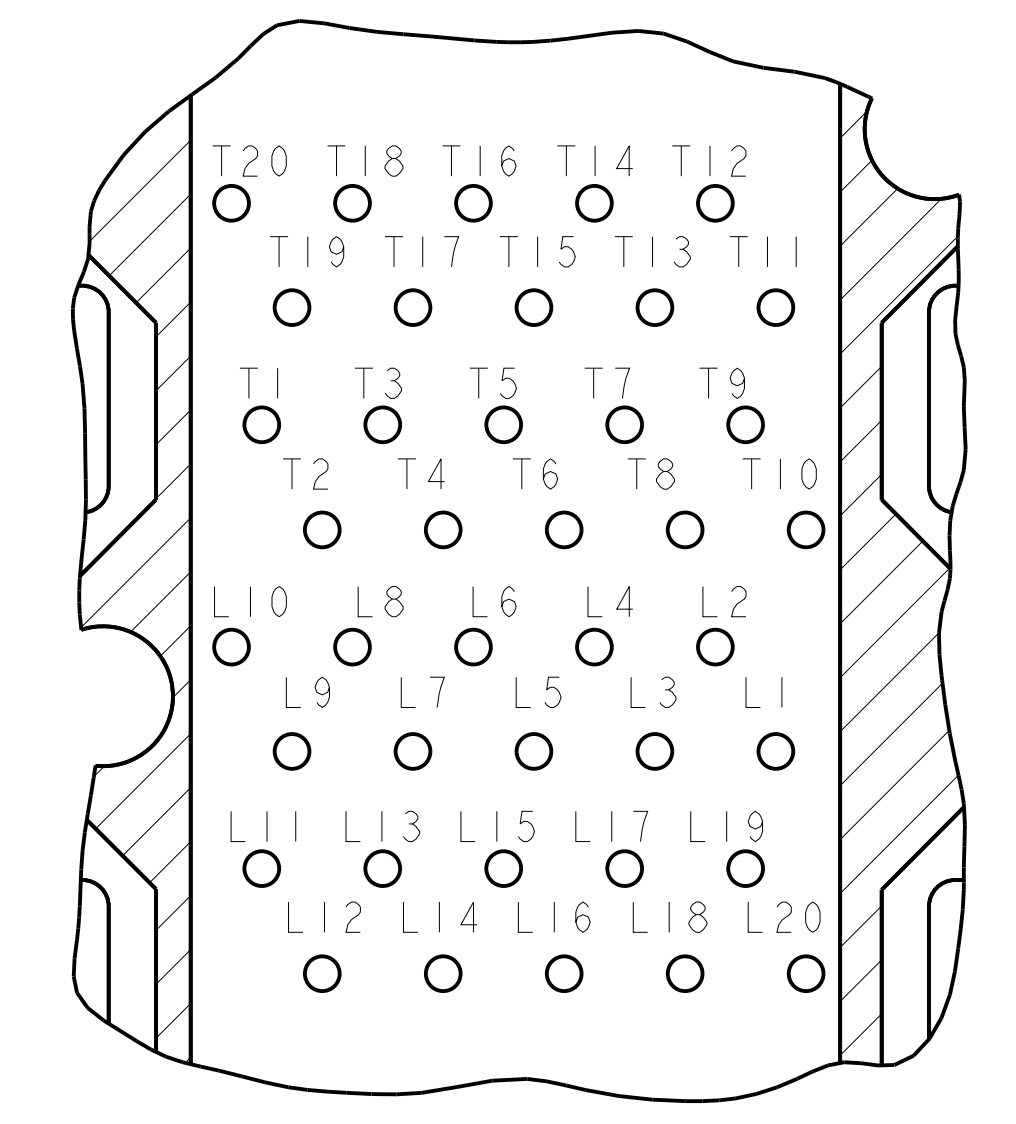
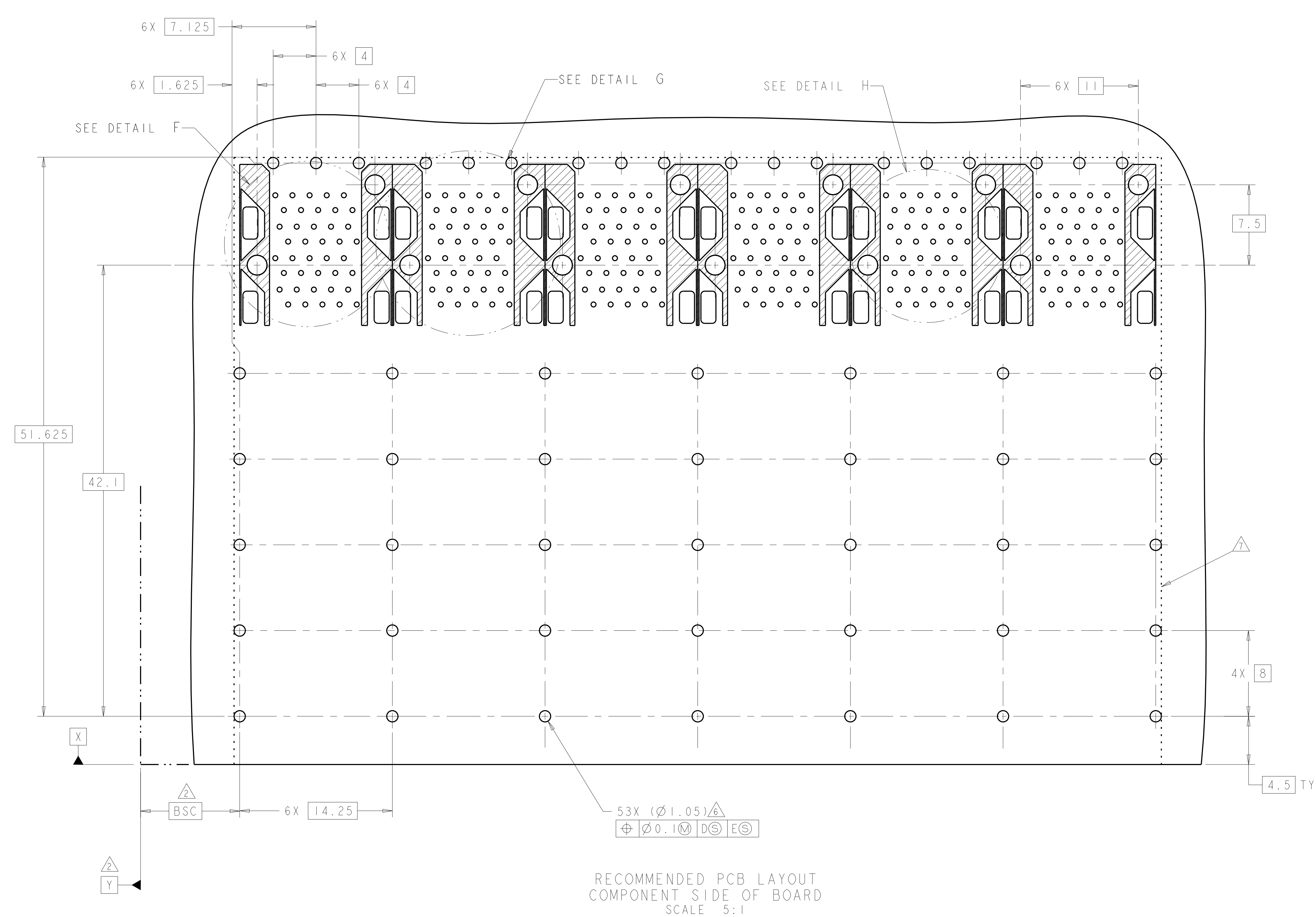
1-2007562-9  
 SCALE 3:1



2-2007562-8  
 SCALE 2:1

THIS DRAWING IS A CONTROLLED DOCUMENT. DIMENSIONING AND TOLERANCING PER ASME Y14.5M-2009.		OWN: M. SHIRK 14JAN2008	TE Connectivity
DIMENSIONS: mm		CHK: D. SZCZESNY 14JAN2008	
TOLERANCES UNLESS OTHERWISE SPECIFIED:		APV: D. SZCZESNY 14JAN2008	NAME: CAGE AND PT CONNECTOR ASSEMBLY, WITH EMI SPRINGS, PRESS FIT, 2X6, STACKED SFP+
0 PLC ±0.10 1 PLC ±0.10 2 PLC ±0.10 3 PLC ±0.10 4 PLC ±0.10 ANGLES ±°		PRODUCT SPEC: 108-2331	
MATERIAL: FINISH:		APPLICATION SPEC: 114-13219	SIZE: A1
		WEIGHT: -	CAGE CODE: 100779
		FINISH: -	DRAWING NO: 2007562
		CUSTOMER DRAWING	SCALE: 4:1 SHEET 2 OF 4 REV: E

LOC	DIST	REV	DATE	BY	CHK	APPR
		1				
		2				
		3				
		4				



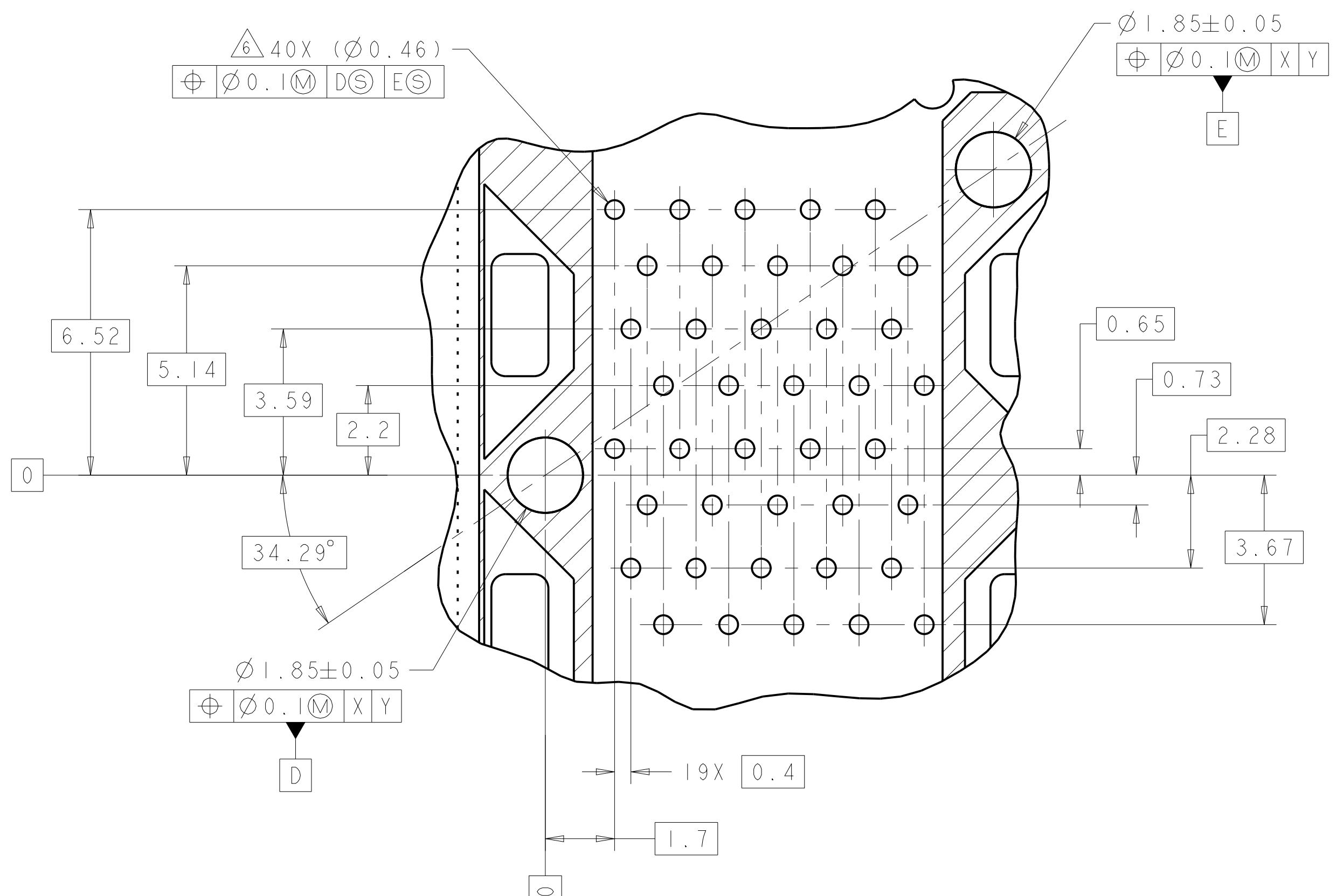
DETAIL H  
 CONNECTOR PIN-OUT  
 COMPONENT SIDE OF BOARD  
 6X INDIVIDUALLY  
 SCALE 10:1

53X (Ø1.05)  $\Delta$   
 $\oplus \text{Ø}0.1 \text{ M} \text{ D} \text{ S} \text{ E} \text{ S}$

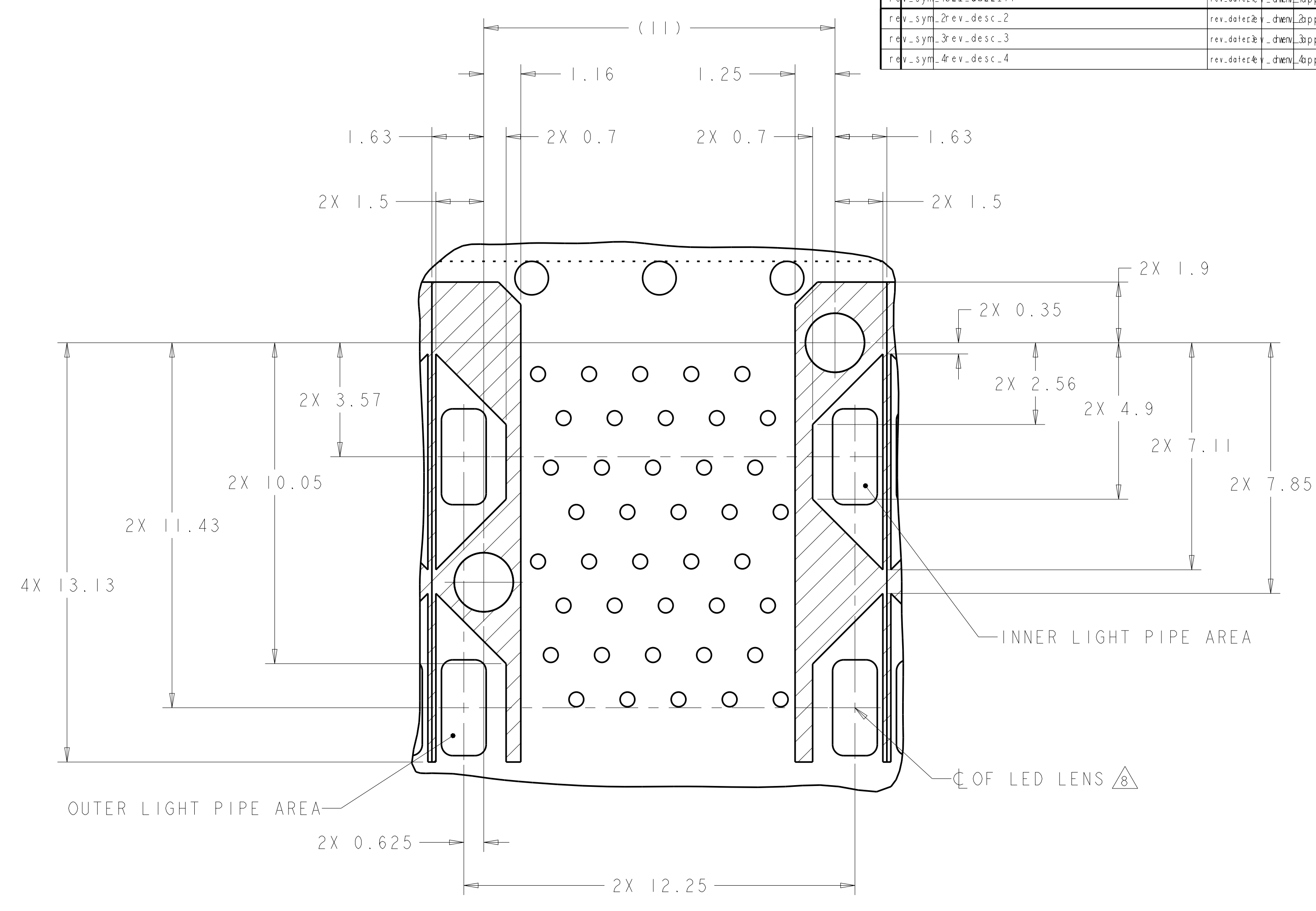
RECOMMENDED PCB LAYOUT  
 COMPONENT SIDE OF BOARD  
 SCALE 5:1

THIS DRAWING IS A CONTROLLED DOCUMENT. DIMENSIONING AND TOLERANCING PER ASME Y14.5M-2009.		DWN: M. SHIRK 14JAN2008 CHK: D. SZCZESNY 14JAN2008 APVD: D. SZCZESNY 14JAN2008	TE Connectivity	
DIMENSIONS: mm TOLERANCES UNLESS OTHERWISE SPECIFIED: 0 PLC ±0.10 1 PLC ±0.10 2 PLC ±0.10 3 PLC ±0.10 4 PLC ±0.10 ANGLES ±°	PRODUCT SPEC: 108-2331 APPLICATION SPEC: 114-13219 WEIGHT:	NAME: CAGE AND PT CONNECTOR ASSEMBLY, WITH EMI SPRINGS, PRESS FIT, 2X6, STACKED SFP+ SIZE: A100779 CAGE CODE: C=2007562 CUSTOMER DRAWING		RESTRICTED TO:
MATERIAL: FINISH:		SCALE: 4:1	SHEET 3 OF 4	REV: E

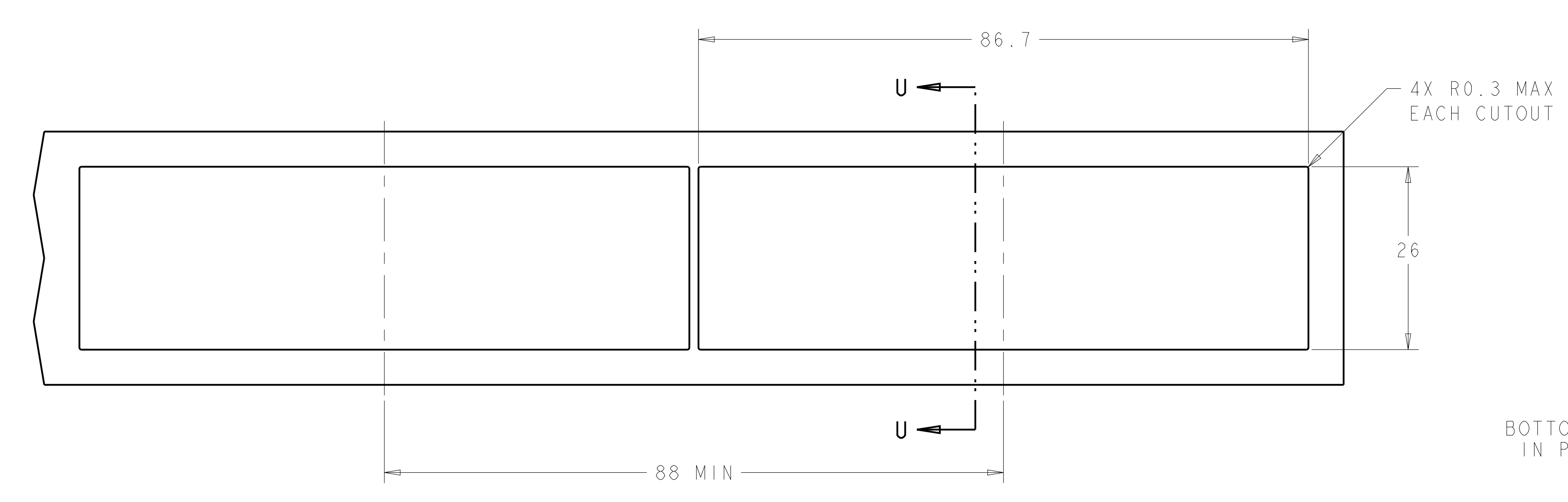
REV	DATE	DESCRIPTION	BY	CHK	APPV
1		rev_desc_1			
2		rev_desc_2			
3		rev_desc_3			
4		rev_desc_4			



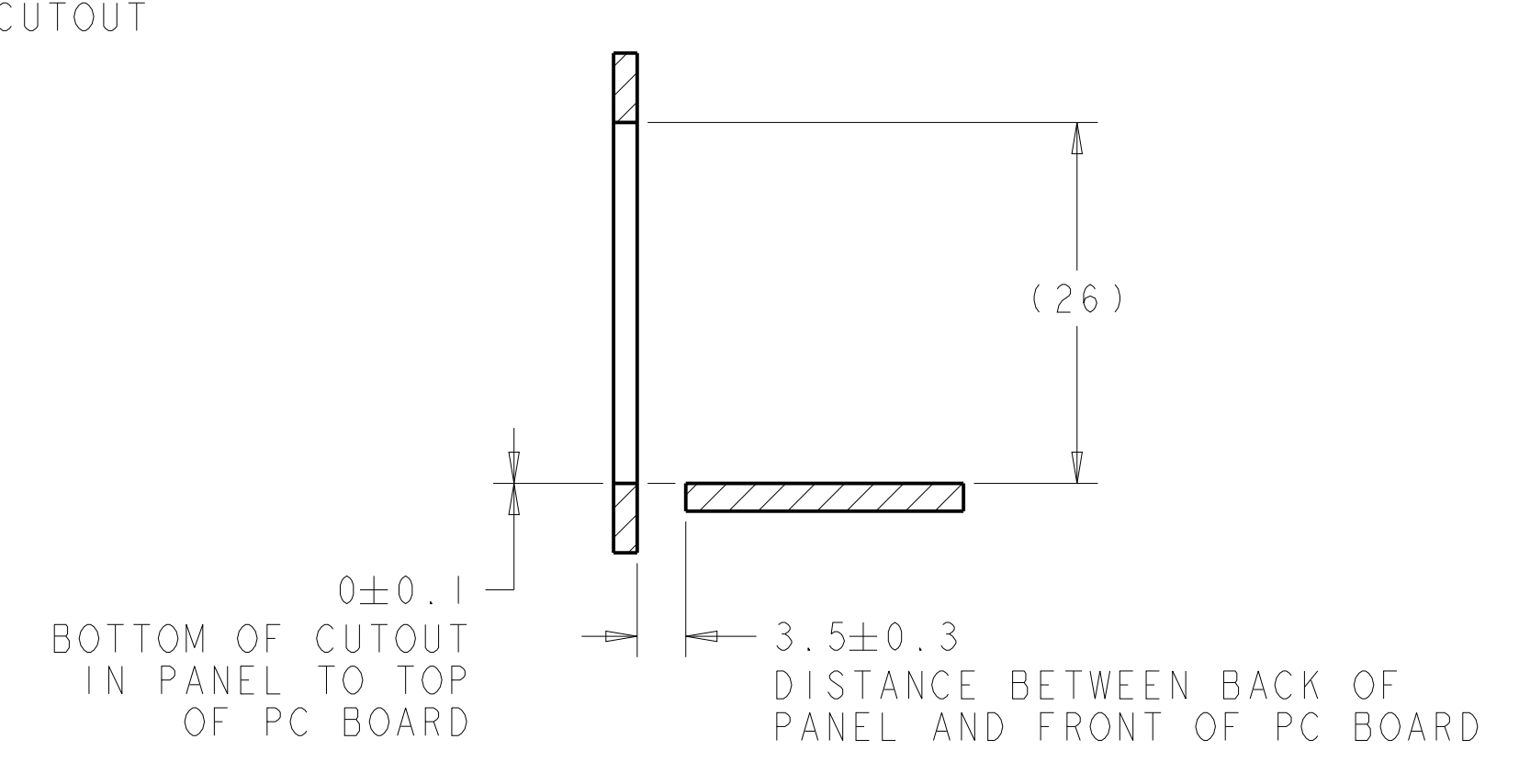
DETAIL F  
 6X INDIVIDUALLY  
 SCALE 10:1



DETAIL G  
 CONNECTOR HOUSING  
 KEEPOUT ZONE  
 6X INDIVIDUALLY  
 SCALE 10:1



RECOMMENDED PANEL CUTOUT  
 AND PC BOARD, PANEL POSITION  
 SCALE 2:1



SECTION U-U

THIS DRAWING IS A CONTROLLED DOCUMENT. DIMENSIONING AND TOLERANCING PER ASME Y14.5M-2009.		OWN: M. SHIRK 14JAN2008	TE Connectivity
DIMENSIONS: mm		CHK: D. SZCZESNY 14JAN2008	
TOLERANCES UNLESS OTHERWISE SPECIFIED:		APPV: D. SZCZESNY 14JAN2008	NAME: CAGE AND PT CONNECTOR ASSEMBLY, WITH EMI SPRINGS, PRESS FIT, 2X6, STACKED SFP+ PRODUCT SPEC: 108-2331 APPLICATION SPEC: 114-13219 SIZE: CAGE CODE DRAWING NO: A100779 WEIGHT: ©=2007562 CUSTOMER DRAWING
0 PLC ±0.10		RESTRICTED TO	
1 PLC ±0.10		SCALE: 4:1	
2 PLC ±0.10		SHEET 4 OF 4	
3 PLC ±0.10		REV: E	
4 PLC ±0.10			
ANGLES ±°			
FINISH			

## X-ON Electronics

Largest Supplier of Electrical and Electronic Components

*Click to view similar products for [I/O Connectors](#) category:*

*Click to view products by [TE Connectivity](#) manufacturer:*

Other Similar products are found below :

[571763P](#) [72.250.1628.2](#) [72.250.2428.2](#) [74720-0505](#) [76.350.0729.0](#) [76871-1403](#) [FCN-244F080-G/1](#) [FCN-260A9920](#) [MP-5T180MUNNA-005](#)  
[PCR-E36PM](#) [PCS-XE26MA+](#) [G38A71314B](#) [1571250010](#) [157-22500-3](#) [MS3471L14-19P L/C](#) [91-569786-35H](#) [172501-4002](#) [172501-6002](#)  
[FCN-260C008-A/L0](#) [FCN-260C024-AL0](#) [FCN-261Z008](#) [2000314-1](#) [200331-1](#) [PCR-E36FC+](#) [PCS-E28FS+](#) [PCS-XE26SLFD+](#) [PCS-](#)  
[XE26SLFDT+](#) [G730VID08BDC24](#) [U90B2054081210](#) [UE86K842720321](#) [38113800006](#) [DP3AR020WQ1R200](#) [Z4.102.0680.0](#) [500-1040](#)  
[500-1052](#) [500-1054](#) [ZP-4008-66L](#) [0709821002](#) [10-565995-597N](#) [DX40-20P\(55\)](#) [5554841-1](#) [U90B3054061110](#) [U65-E04-4020](#)  
[ZPF00000000097891](#) [557-262M2-06C](#) [747360449](#) [10099439-003C-TRLF](#) [10137239-0021LF](#) [E9320-001-01](#) [10137239-0011LF](#)