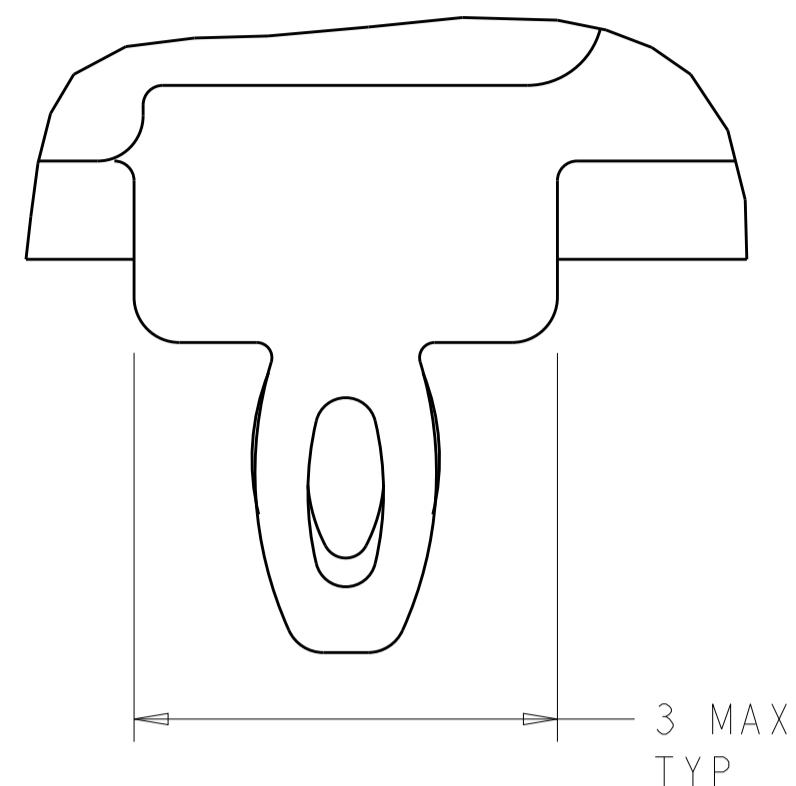


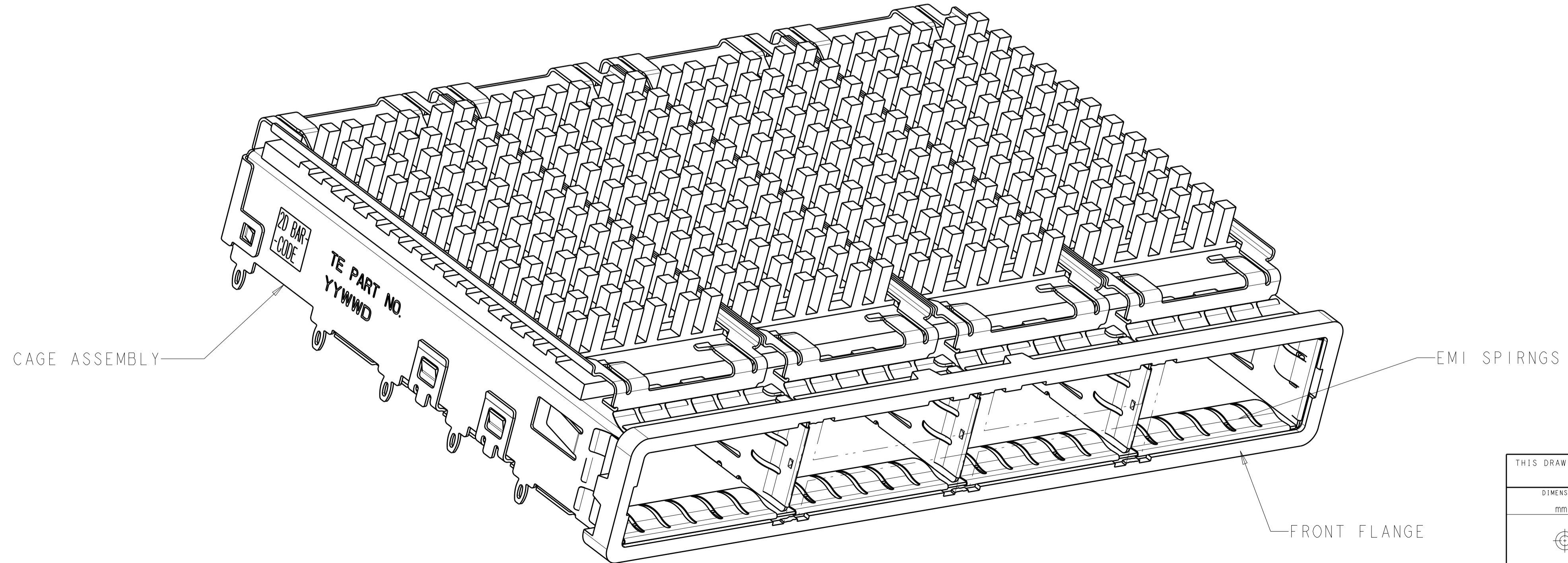
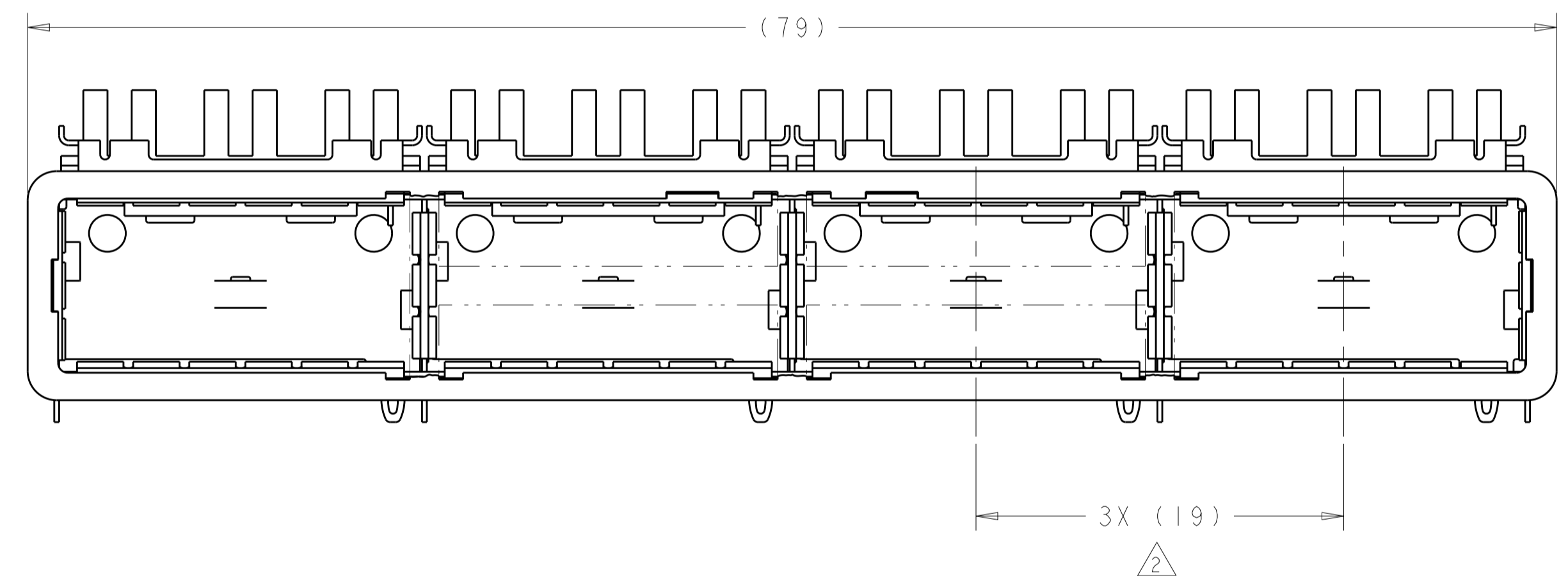
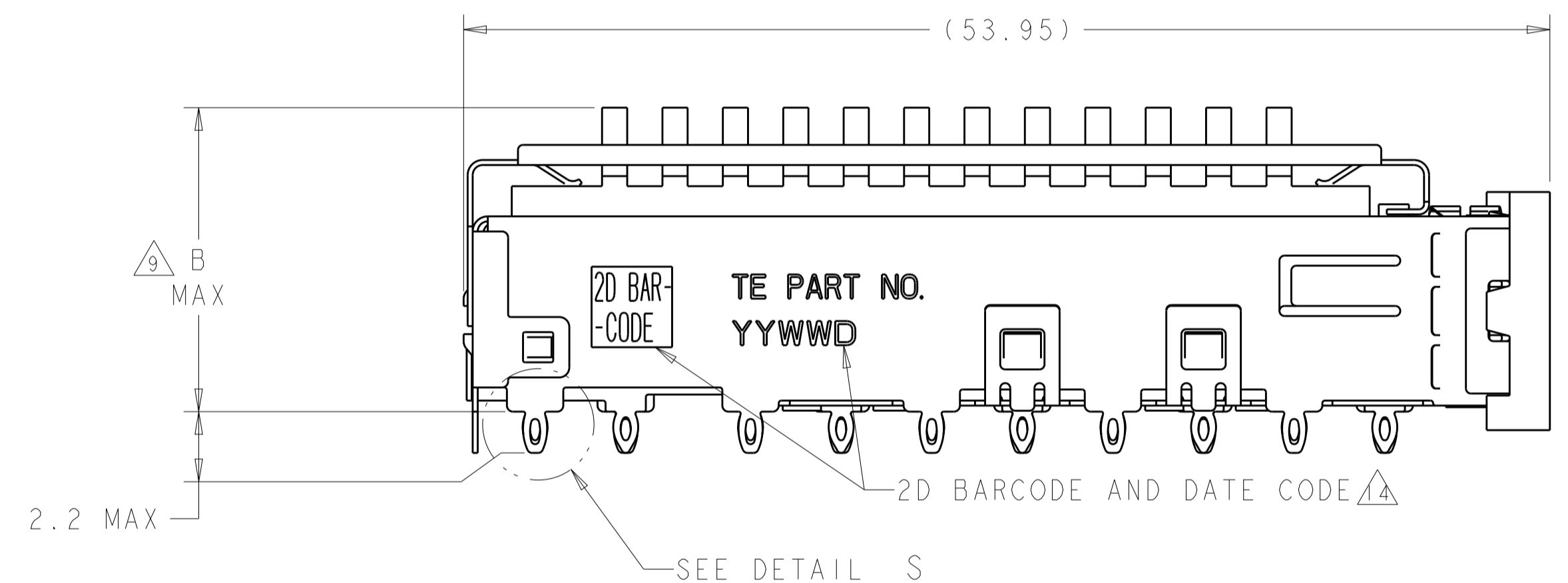
LOC	DIST	REVISIONS					
		P	LTN	DESCRIPTION	DATE	DMN	APVD
GP	00						
		C		REVISED PER ECO-10-018054	03NOV2010	CJV	EJB
		D		REVISED PER ECO-12-003841	14MAR2012	KS	AC
		E		REVISED PER ECO-12-005533	31MAR2012	JY	AC
		F		REVISED PER ECO-14-017735	30EC2014	RG	MC



DETAIL S $\Delta 12$
 SCALE 20:1

- $\Delta 1$ CAGE ASSEMBLY MATERIAL: NICKEL SILVER, 0.25 THICK
 HEAT SINK MATERIAL: ALUMINUM
 HEAT SINK CLIP MATERIAL: STAINLESS STEEL
 EMI SPRING MATERIAL: COPPER ALLOY
 FRONT FLANGE MATERIAL: ZINC ALLOY
- $\Delta 2$ PITCH BETWEEN PORTS OF ONE 1X4 CAGE ASSEMBLY.
- $\Delta 3$ SPACING BETWEEN CAGES ON THE SAME PC BOARD, TO BE SPECIFIED BY CUSTOMER, MUST COMPLY WITH MINIMUM DIMENSIONS SHOWN.
- $\Delta 4$ REFERENCE APPLICATION SPEC 114-13218 FOR RECOMMENDED DRILL HOLE DIAMETER AND PLATING THICKNESS.
- $\Delta 5$ DATUMS AND BASIC DIMENSIONS ESTABLISHED BY CUSTOMER.
- $\Delta 6$ DIMENSION C IS THE NOMINAL THICKNESS OF CUSTOMER SUPPLIED PC BOARD,
 SINGLE SIDED PC BOARD MINIMUM THICKNESS = 1.45mm
 DOUBLE SIDED PC BOARD MINIMUM THICKNESS = 2.2mm PER QSFP.
- $\Delta 7$ HEAT SINKS AND CLIPS SHIPPED ASSEMBLED TO CAGE ASSEMBLY. CAGE ASSEMBLY MAY BE PRESSED INTO THE PCB AS SHIPPED.
- $\Delta 8$ DATUM \square -A- IS TOP SURFACE OF PC BOARD.
- $\Delta 9$ DIMENSION APPLIES WITH MODULE INSERTED IN CAGE.
- $\Delta 10$ UNPLATED THRU HOLE.
- 11. MATES WITH QSFP MSA COMPATIBLE TRANSCEIVER.
- $\Delta 12$ SURFACE TRACES PERMITTED WITHIN THIS AREA EXCEPT WHERE CAGE STANDOFFS, SHOWN IN DETAIL S, CONTACT PC BOARD.
- $\Delta 13$ BASELINE FOR THESE DIMENSIONS IS THE CENTER OF COMPLIANT PIN HOLE.
- $\Delta 14$ 2D BARCODE AND DATE CODE (YYWWD) MARKED ON SIDE OF CAGE ASSEMBLY.
- $\Delta 15$ REFERENCE APP SPEC 114-13218 FOR GASKET THICKNESS CALCULATION.

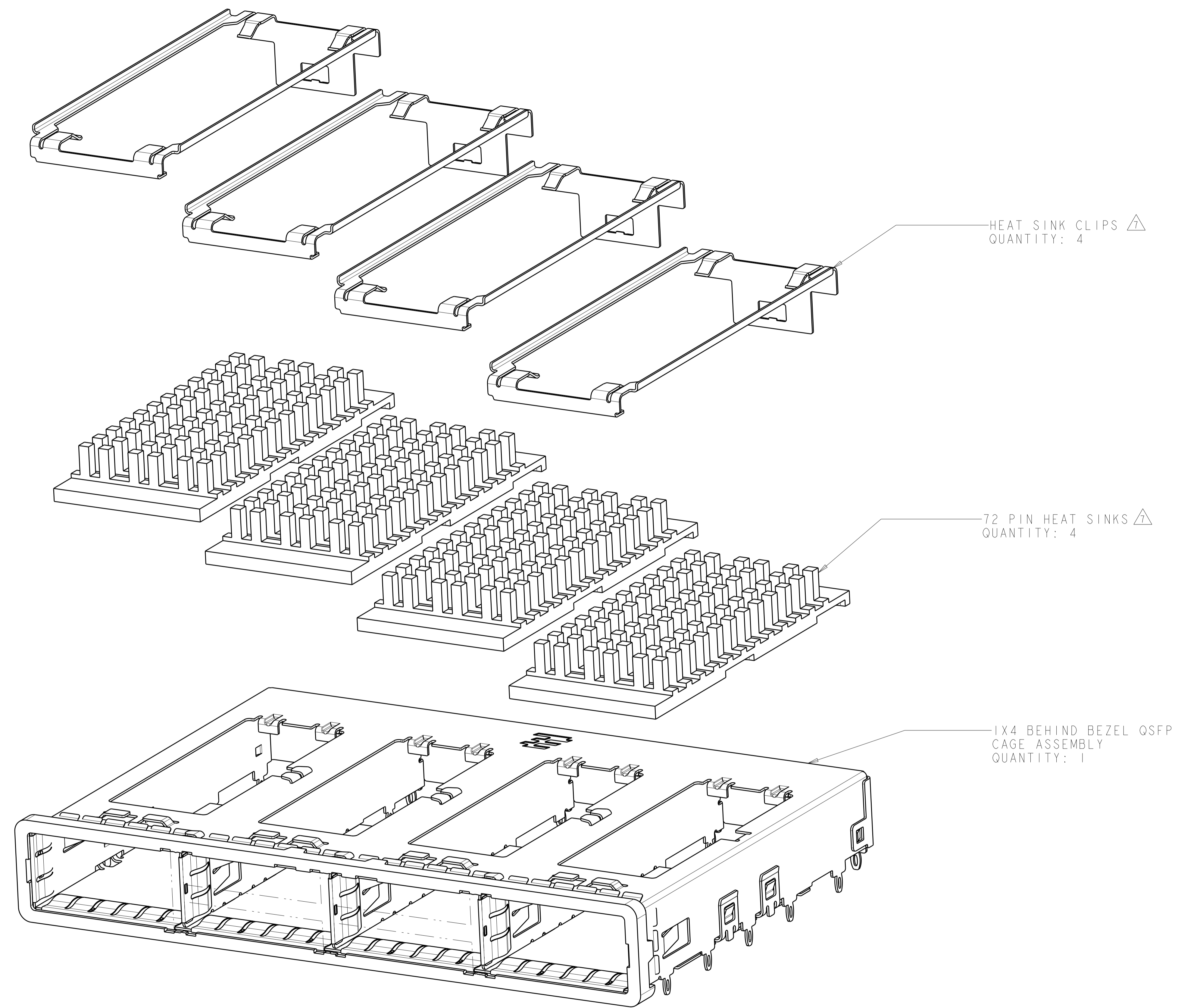
- $\Delta 16$ EMI SPRING FINISH: 2 μ m MINIMUM TIN
 FRONT FLANGE FINISH: 3 μ m MINIMUM TIN OVER 1.27 μ m MINIMUM NICKEL OVER 5.08 μ m MINIMUM COPPER.
 HEAT SINK FINISH: NICKEL.



23.0	NETWORKING	2007625-3
16.0	SAN	2007625-2
13.7	PCI	2007625-1
B	HEAT SINK PROFILE	PART NUMBER

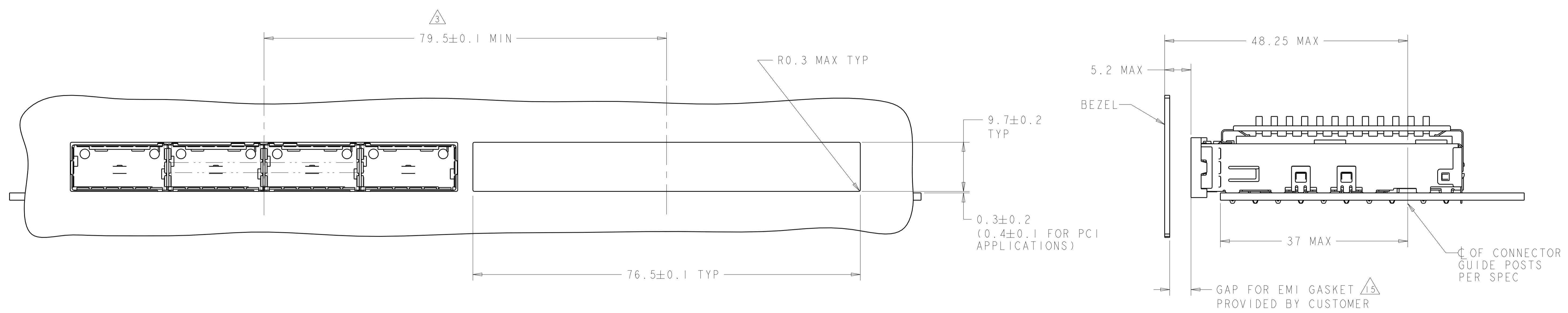
THIS DRAWING IS A CONTROLLED DOCUMENT.		DMN C. VALENTINE 09JUN2008	NAME 1X4 CAGE ASSEMBLY, BEHIND BEZEL, W/ HEAT SINKS, QSFP	
DIMENSIONS:		CHK E. BRIGHT 09JUN2008	RESTRICTED TO	
mm	TOLERANCES UNLESS OTHERWISE SPECIFIED:	APVD F. BRIGHT 09JUN2008	SCALE 4:1 SHEET 1 OF 5 REV F	
	0 PLC \pm	PRODUCT SPEC		
	1 PLC ± 0.1	108-2286		
	2 PLC ± 0.1	APPLICATION SPEC		
	3 PLC \pm	114-13218		
	4 PLC \pm	WEIGHT		
	ANGLES \pm			
MATERIAL	FINISH	CUSTOMER DRAWING		
$\Delta 1$	$\Delta 16$			

LOC	DIST	REVISIONS					
GP	00	P	LYR	DESCRIPTION	DATE	DWN	APVD
		-		SEE SHEET 1		-	-

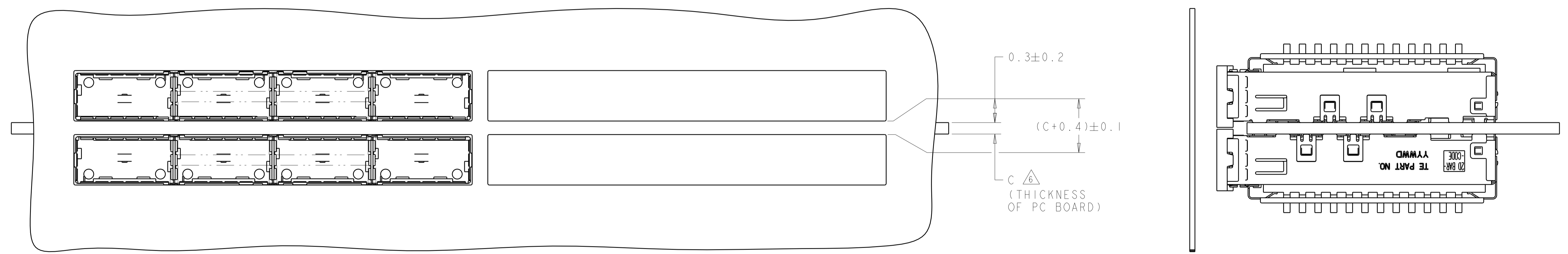


THIS DRAWING IS A CONTROLLED DOCUMENT.		DWN C. VALENTINE 09JUN2008	TE Connectivity
DIMENSIONS:		CHK E. BRIGHT 09JUN2008	
mm	TOLERANCES UNLESS OTHERWISE SPECIFIED:	APVD E. BRIGHT 09JUN2008	NAME 1X4 CAGE ASSEMBLY, BEHIND BEZEL, W/ HEAT SINKS, QSFP
0 PLC ±	1 PLC ±0.1	PRODUCT SPEC	SIZE CAGE CODE DRAWING NO
2 PLC ±0.1	3 PLC ±	108-2286	A100779C=2007625
4 PLC ±	ANGLES ±	APPLICATION SPEC	RESTRICTED TO
MATERIAL	FINISH	114-13218	
		WEIGHT	
		CUSTOMER DRAWING	SCALE 4:1 SHEET 2 OF 5 REV F

LOC	DIST	REVISIONS					
GP	00	P	LTN	DESCRIPTION	DATE	DMN	APVD
-	-	-	-	SEE SHEET 1	-	-	-



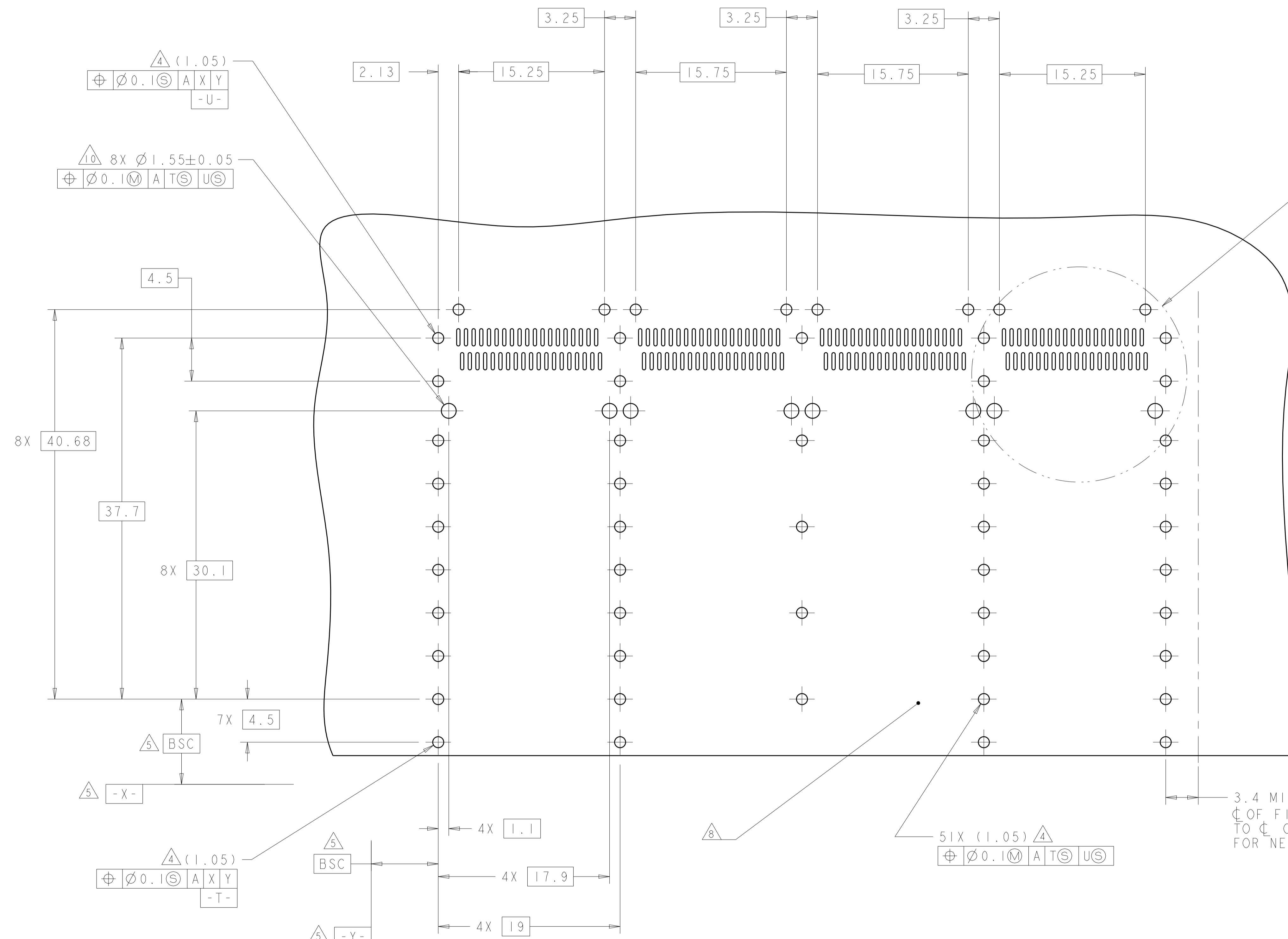
ONE SIDED CONFIGURATION
 SCALE 5:2



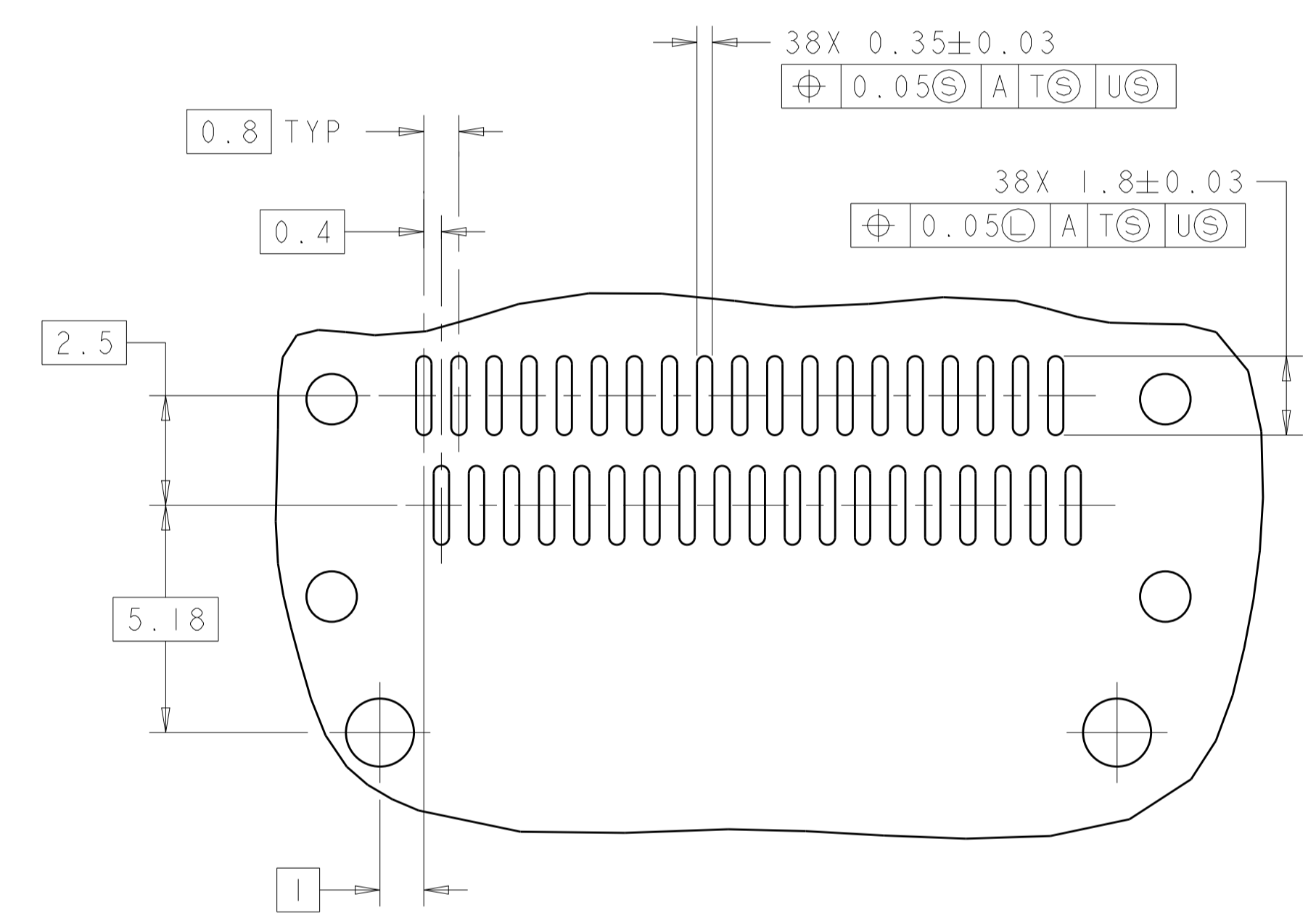
BELLY TO BELLY CONFIGURATION SIMILAR
 TO ONE SIDED EXCEPT WHERE NOTED
 SCALE 5:2

THIS DRAWING IS A CONTROLLED DOCUMENT.		DMN C. VALENTINE 09JUN2008		NAME	1X4 CAGE ASSEMBLY, BEHIND BEZEL, W/ HEAT SINKS, QSFP
DIMENSIONS:		CHK E. BRIGHT 09JUN2008		PRODUCT SPEC	108-2286
mm	TOLERANCES UNLESS OTHERWISE SPECIFIED:	APVD E. BRIGHT 09JUN2008	APPLICATION SPEC	114-13218	RESTRICTED TO
0 PLC ±	1 PLC ±0.1	SIZE	CAGE CODE	DRAWING NO	
2 PLC ±0.1	3 PLC ±	WEIGHT	A100779	C=2007625	
4 PLC ±	ANGLES ±	MATERIAL	CUSTOMER DRAWING	SCALE	4:1
FINISH				SHEET	3 OF 5
				REV	F

LOC	DIST	REVISIONS					
GP	00	P	LTN	DESCRIPTION	DATE	DMN	APVD
		-		SEE SHEET 1	-	-	-



SEE DETAIL K



DETAIL K
SCALE 8:1

RECOMMENDED PC BOARD LAYOUT
 BELLY TO BELLY CONFIGURATION
 SEE SHEET 4 FOR COMPONENT
 AND TRACE KEEP-OUTS
 SCALE 4:1

THIS PRODUCT HAS NOT COMPLETED VALIDATION/QUALIFICATION TESTING

THIS DRAWING IS A CONTROLLED DOCUMENT.		DMN C. VALENTINE 09JUN2008	TE Connectivity NAME 1X4 CAGE ASSEMBLY, BEHIND BEZEL, W/ HEAT SINKS, QSFP
DIMENSIONS: mm		CHK E. BRIGHT 09JUN2008	
TOLERANCES UNLESS OTHERWISE SPECIFIED:		APVD E. BRIGHT 09JUN2008	PRODUCT SPEC
0 PLC ± 2 PLC ±0.1 3 PLC ±0.1 4 PLC ± ANGLES ±		APPLICATION SPEC	108-2286
MATERIAL		FINISH	114-13218
CUSTOMER DRAWING		SCALE	4:1
SHEET		5	OF 5
REV		F	

X-ON Electronics

Largest Supplier of Electrical and Electronic Components

Click to view similar products for [I/O Connectors](#) category:

Click to view products by [TE Connectivity](#) manufacturer:

Other Similar products are found below :

[571763P](#) [72.250.1628.2](#) [72.250.2428.2](#) [74720-0505](#) [76.350.0729.0](#) [76871-1403](#) [FCN-244F080-G/1](#) [FCN-260A9920](#) [MP-5T180MUNNA-005](#)
[PCR-E36PM](#) [PCS-XE26MA+](#) [G38A71314B](#) [1571250010](#) [157-22500-3](#) [MS3471L14-19P L/C](#) [91-569786-35H](#) [172501-4002](#) [172501-6002](#)
[FCN-260C008-A/L0](#) [FCN-260C024-AL0](#) [FCN-261Z008](#) [2000314-1](#) [200331-1](#) [PCR-E36FC+](#) [PCS-E28FS+](#) [PCS-XE26SLFD+](#) [PCS-](#)
[XE26SLFDT+](#) [G730VID08BDC24](#) [U90B2054081210](#) [UE86K842720321](#) [38113800006](#) [DP3AR020WQ1R200](#) [Z4.102.0680.0](#) [500-1040](#)
[500-1052](#) [500-1054](#) [ZP-4008-66L](#) [0709821002](#) [10-565995-597N](#) [DX40-20P\(55\)](#) [5554841-1](#) [MS3474W18-8P-LC*](#) [U90B3054061110](#) [U65-](#)
[E04-4020](#) [ZPF000000000097891](#) [557-262M2-06C](#) [747360449](#) [10099439-003C-TRLF](#) [10137239-0021LF](#) [E9320-001-01](#)