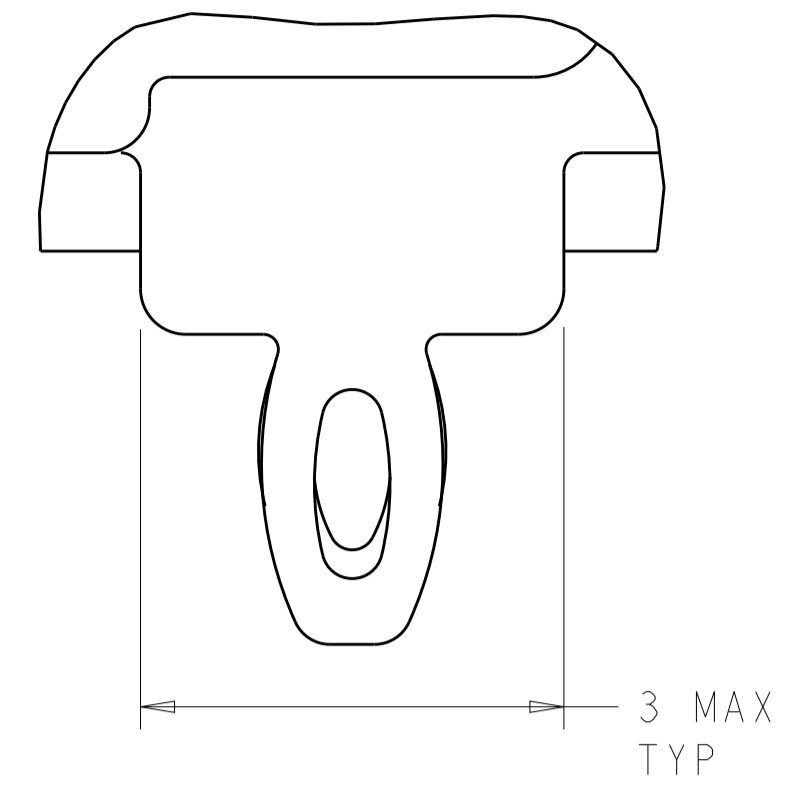


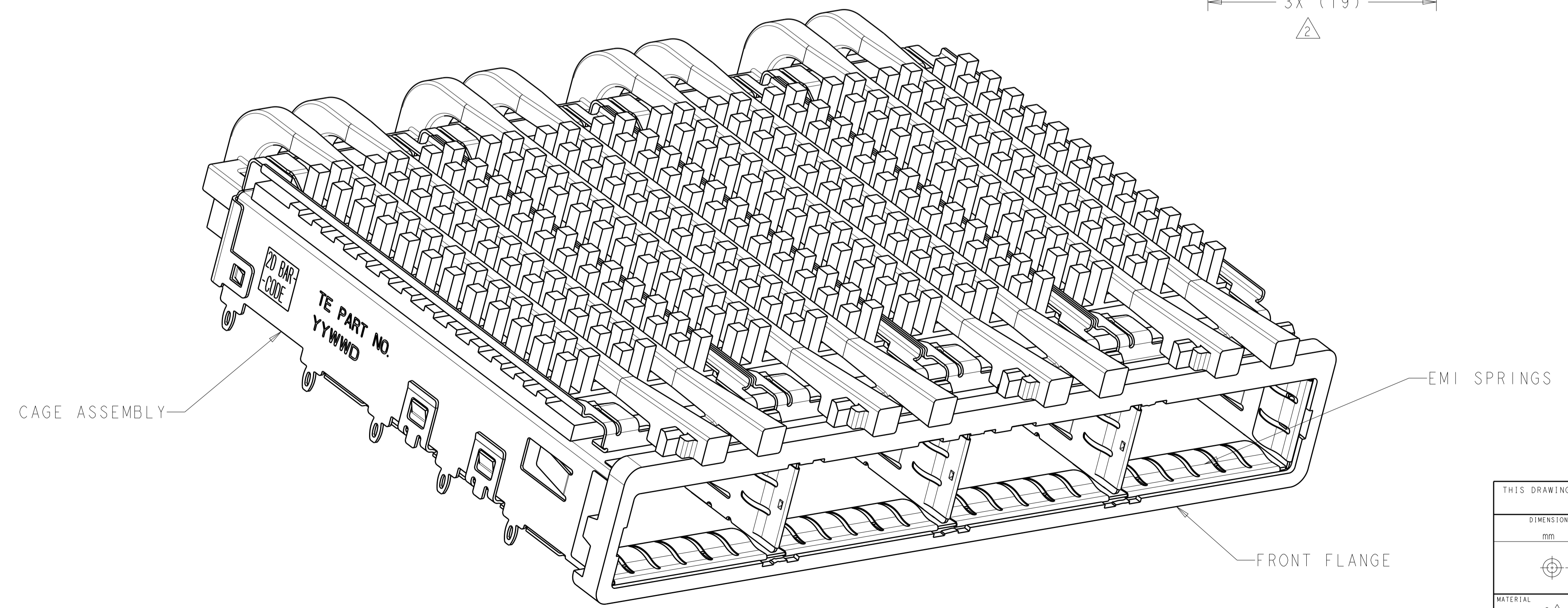
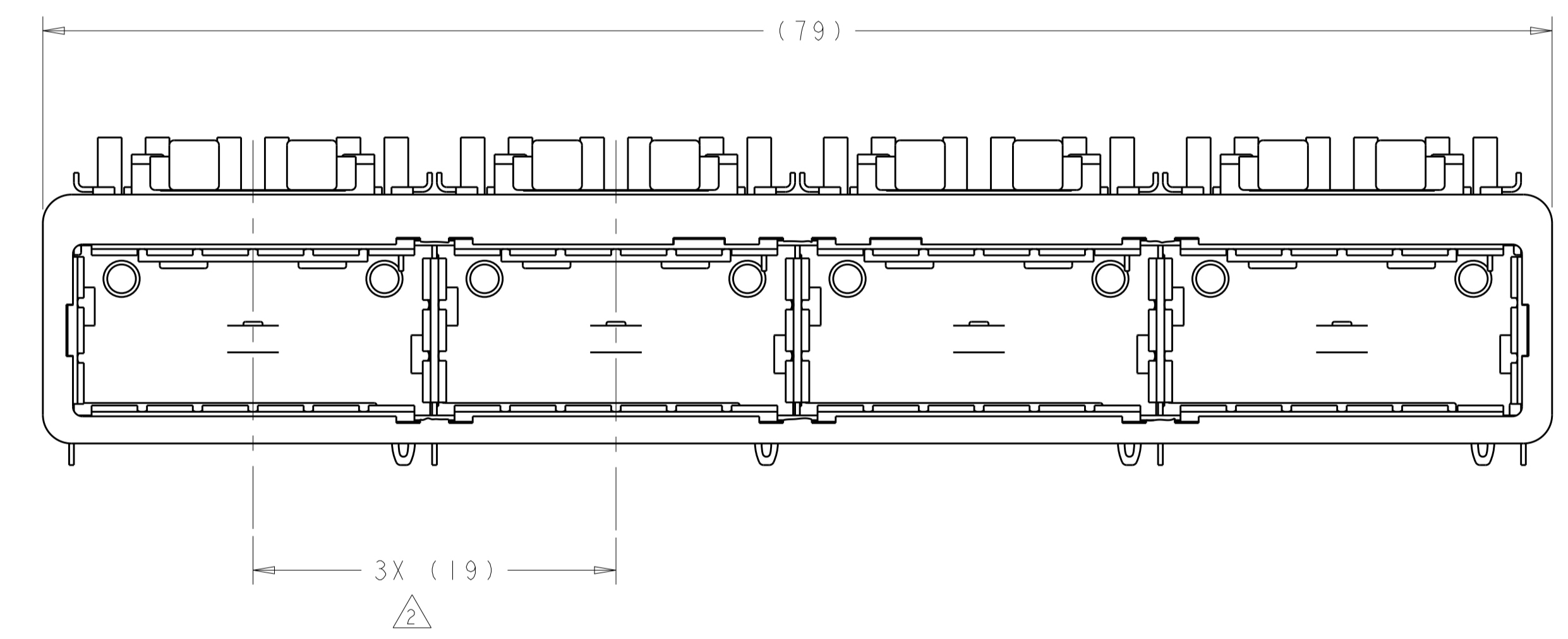
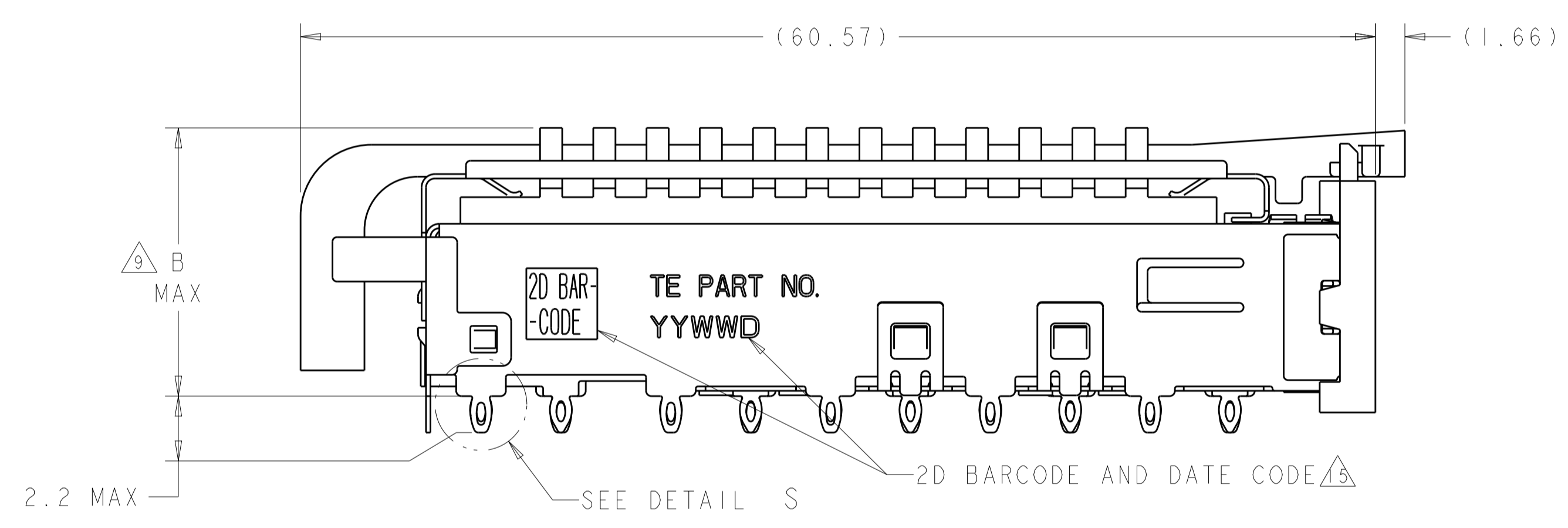
LOC	DIST	REVISIONS			
		REV	DATE	BY	CHK
GP	00	D	14MAR2012	TY	KS
		E	31MAR2012	JY	AC
		F	30EC2014	RG	MC



DETAIL S  
 SCALE 20:1 13

- 1 CAGE ASSEMBLY MATERIAL: NICKEL SILVER, 0.25 THICK  
 HEAT SINK MATERIAL: ALUMINUM  
 HEAT SINK CLIP MATERIAL: STAINLESS STEEL  
 EMI SPRING MATERIAL: COPPER ALLOY  
 FRONT FLANGE MATERIAL: ZINC ALLOY  
 LIGHT PIPE MATERIAL: CLEAR POLYCARBONATE
- 2 PITCH BETWEEN PORTS OF ONE 1X4 CAGE ASSEMBLY.
- 3 SPACING BETWEEN CAGES ON THE SAME PC BOARD, TO BE SPECIFIED BY CUSTOMER, MUST COMPLY WITH MINIMUM DIMENSIONS SHOWN.
- 4 REFERENCE APPLICATION SPEC 114-13218 FOR RECOMMENDED DRILL HOLE DIAMETER AND PLATING THICKNESS.
- 5 DATUMS AND BASIC DIMENSIONS ESTABLISHED BY CUSTOMER.
- 6 DIMENSION C IS THE NOMINAL THICKNESS OF CUSTOMER SUPPLIED PC BOARD,  
 SINGLE SIDED PC BOARD MINIMUM THICKNESS = 1.45mm  
 DOUBLE SIDED PC BOARD MINIMUM THICKNESS = 2.2mm PER QSFP.
- 7 HEAT SINKS, LIGHT PIPES, AND CLIP SHIPPED ASSEMBLED TO CAGE ASSEMBLY.  
 CAGE ASSEMBLY MAY BE PRESSED INTO THE PCB AS SHIPPED.
- 8 DATUM -A- IS TOP SURFACE OF PC BOARD.
- 9 DIMENSION APPLIES WITH MODULE INSERTED IN CAGE.
- 10 UNPLATED THRU HOLE.
- 11 MAXIMUM HEIGHT OF LED OFF BOARD: 0.9mm.
- 12. MATES WITH QSFP MSA COMPATIBLE TRANSCEIVER.
- 13 SURFACE TRACES PERMITTED WITHIN THIS AREA EXCEPT WHERE CAGE STANDOFFS, SHOWN IN DETAIL S, CONTACT PC BOARD.
- 14 BASELINE FOR THESE DIMENSIONS IS THE CENTER OF COMPLIANT PIN HOLE.

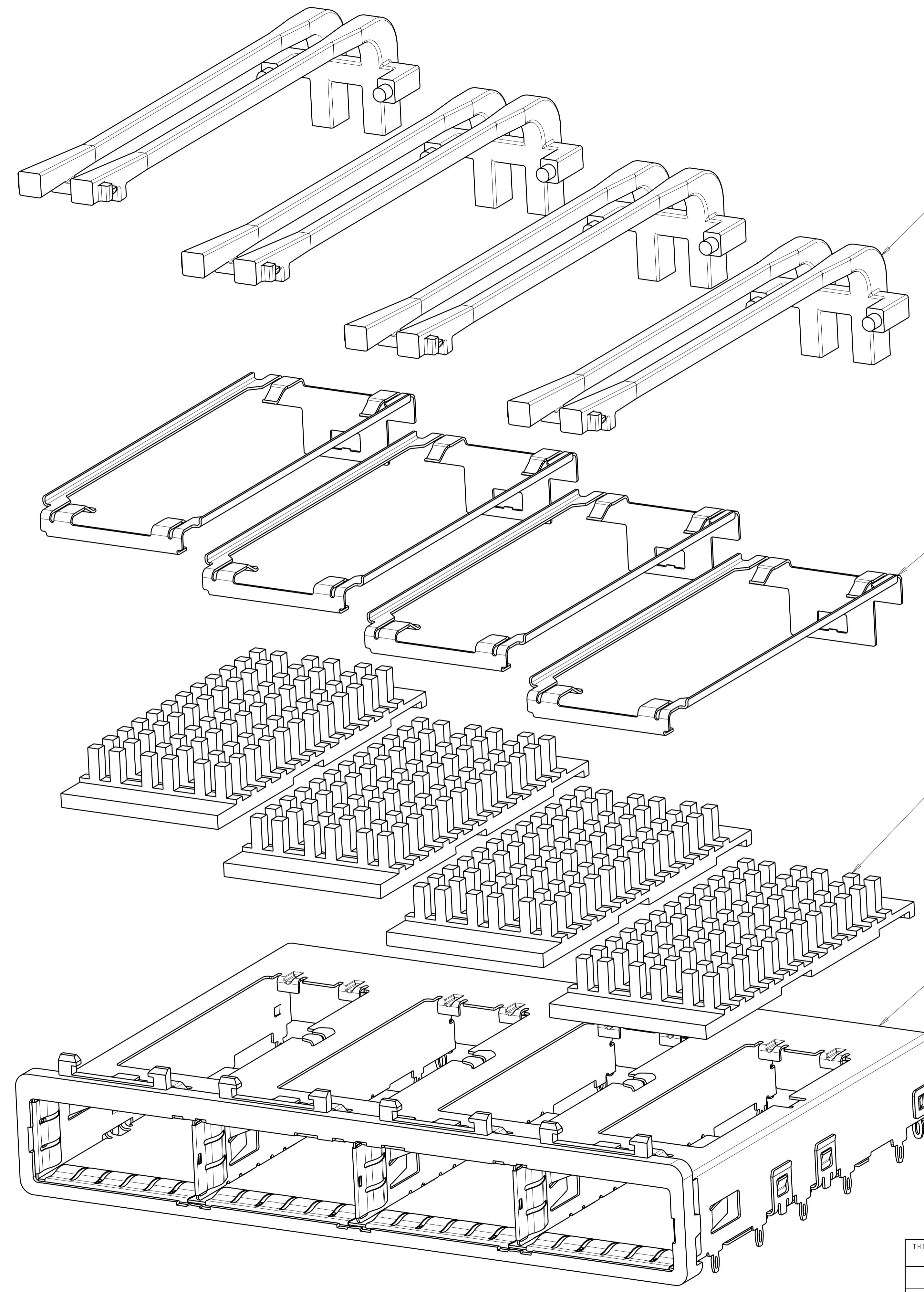
- 15 2D BARCODE AND DATE CODE (YYWW) MARKED ON SIDE OF CAGE ASSEMBLY.
- 16 REFERENCE APP SPEC 114-13218 FOR GASKET THICKNESS CALCULATION.
- 17 EMI SPRING FINISH: 2µm MINIMUM TIN  
 FRONT FLANGE FINISH: 3µm MINIMUM TIN OVER 1.27µm MINIMUM NICKEL  
 OVER 5.08µm MINIMUM COPPER  
 HEAT SINK FINISH: NICKEL.
- 18 HEAT SINKS AND CLIPS SHIPPED ASSEMBLED TO CAGE ASSEMBLY. CAGE ASSEMBLY MAY BE PRESSED INTO THE PCB AS SHIPPED. LIGHT PIPES, SHIPPED UNATTACHED, MUST BE ASSEMBLED BY CUSTOMER AFTER THE CAGE IS SEATED IN THE PCB.



<span style="border: 1px solid black; padding: 2px;">18</span>	13.7	PCI	2007626-3
<span style="border: 1px solid black; padding: 2px;">7</span>	23.0	NETWORKING	2007626-2
<span style="border: 1px solid black; padding: 2px;">7</span>	16.0	SAN	2007626-1
B		HEAT SINK PROFILE	PART NUMBER

THIS DRAWING IS A CONTROLLED DOCUMENT.		OWN: C. VALENTINI 28FEB2008	TE Connectivity NAME: 1X4 CAGE ASSEMBLY, BEHIND BEZEL, W/ SQUARE LIGHT PIPES AND HEAT SINKS, QSFP SIZE: A1 CAGE CODE: 00779 DRAWING NO: C=2007626 RESTRICTED TO: - SCALE: 1:1 SHEET 1 OF 5 REV F
DIMENSIONS:		CHK: E. BRIGHT 28FEB2008	
TOLERANCES UNLESS OTHERWISE SPECIFIED:		APVD: F. BRIGHT 28FEB2008	
mm 0 PLC ± 1 PLC ±0.1 2 PLC ±0.1 3 PLC ± 4 PLC ± ANGLES ±		PRODUCT SPEC: 108-2286 APPLICATION SPEC: WEIGHT: CUSTOMER DRAWING	

LOC	DIST	REVISIONS					
GP	00	P.	LYR	DESCRIPTION	DATE	DWN	APVD
-	-	-	-	SEE SHEET 1	-	-	-



SQUARE DOUBLE LIGHT PIPES  $\triangle/\triangle/8$   
 QUANTITY: 4

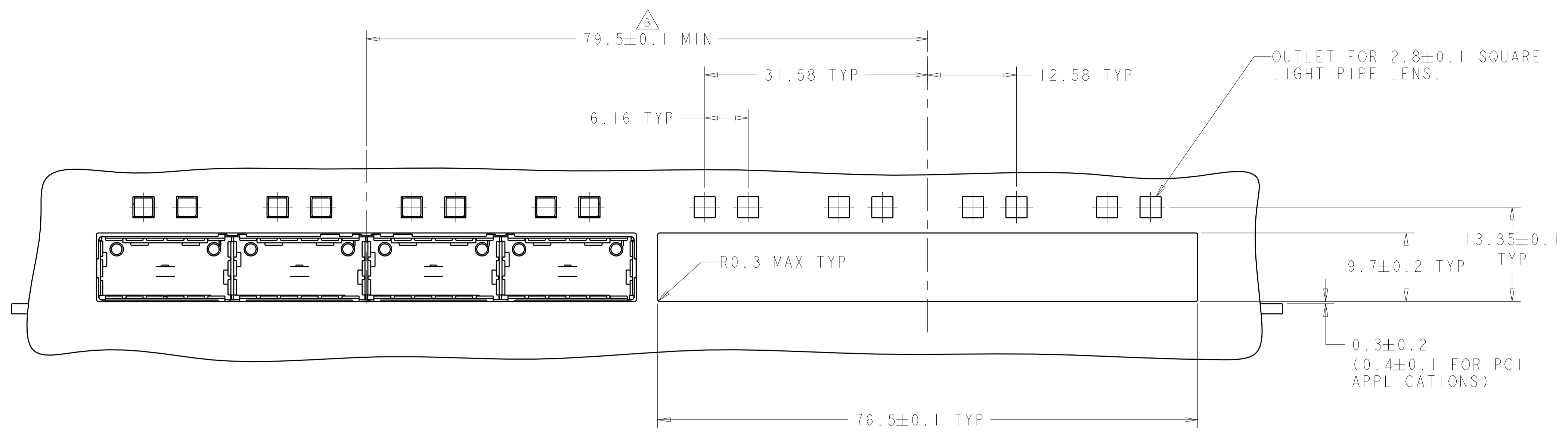
HEAT SINK CLIPS  $\triangle/\triangle/8$   
 QUANTITY: 4

72 PIN HEAT SINKS  $\triangle/\triangle/8$   
 QUANTITY: 4

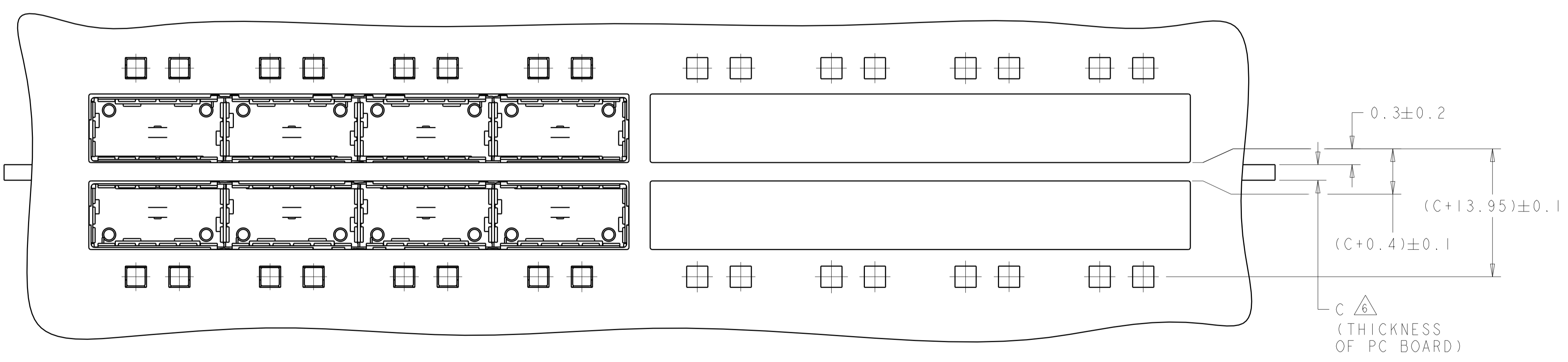
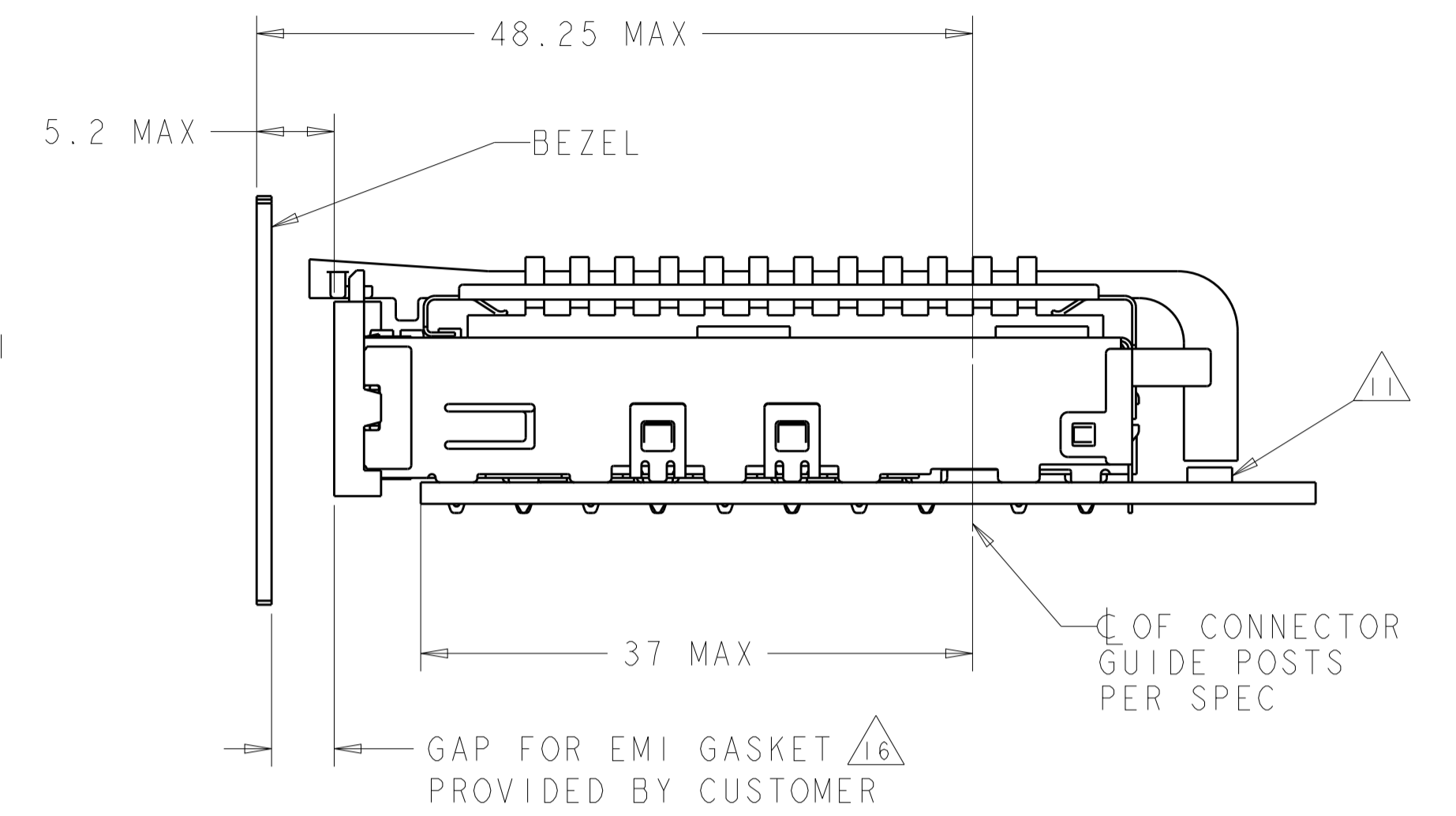
1X4 BEHIND BEZEL QSFP  
 CAGE ASSEMBLY  
 QUANTITY: 1

THIS DRAWING IS A CONTROLLED DOCUMENT.		DWN C. VALENTIN 28FEB2008	TE Connectivity
DIMENSIONS: mm		CHK E. BRIGHT 28FEB2008	
TOLERANCES UNLESS OTHERWISE SPECIFIED:		APVD E. BRIGHT 28FEB2008	NAME 1X4 CAGE ASSEMBLY, BEHIND BEZEL, W/ SQUARE LIGHT PIPES AND HEAT SINKS, QSFP
0 PLC	±	PRODUCT SPEC	SIZE 108-2286
1 PLC	±0.1	APPLICATION SPEC	RESTRICTED TO
2 PLC	±	WEIGHT	A100779C=2007626
3 PLC	±	CUSTOMER DRAWING	SCALE 1:1 SHEET 2 OF 5 REV F
4 PLC	±		
ANGLES	±		
FINISH	±		

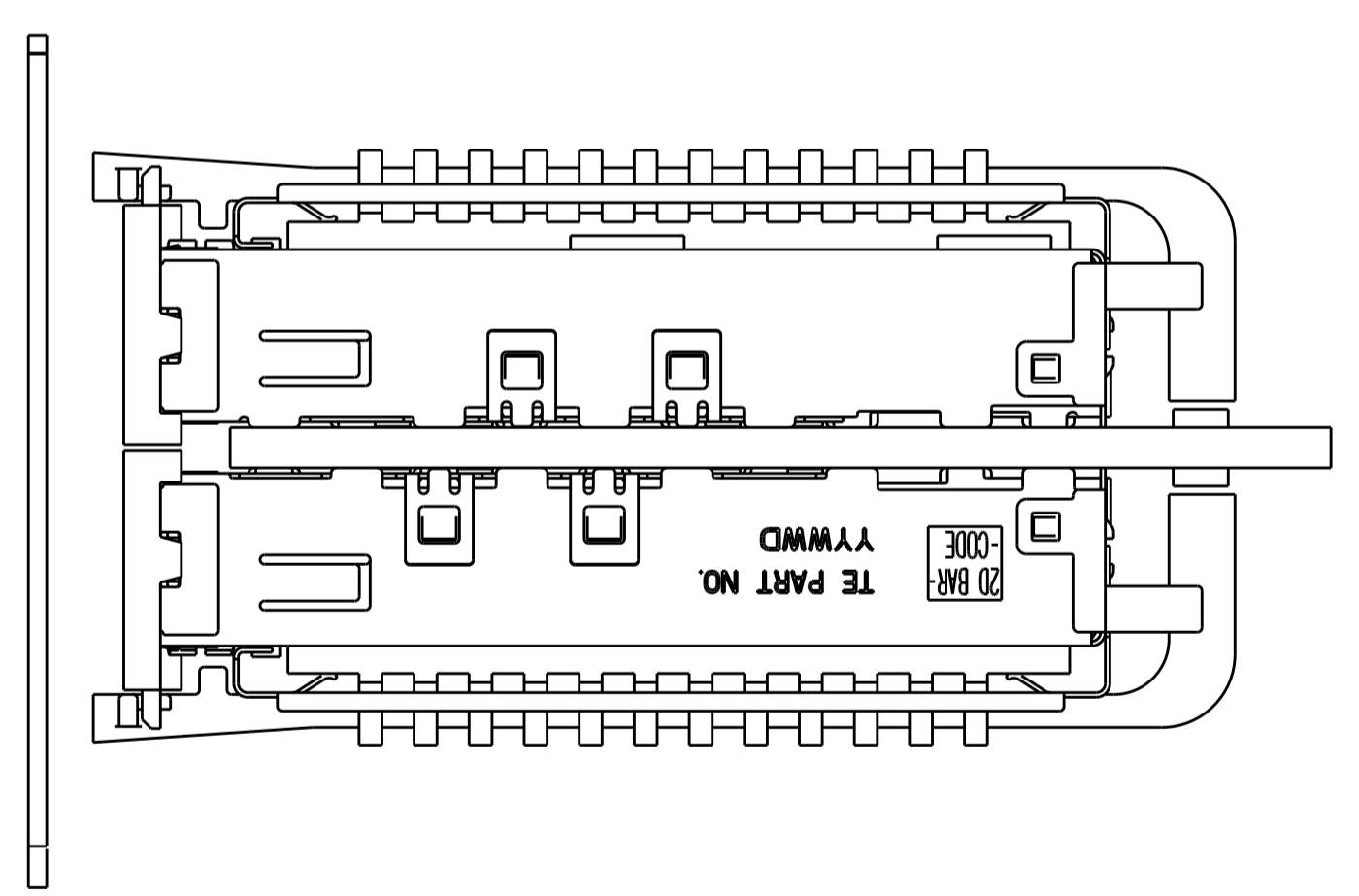
LOC	DIST	REV	DATE	BY	APPV
GP	00				
REVISIONS			DESCRIPTION	DATE	BY
			SEE SHEET 1		



ONE SIDED CONFIGURATION  
 SCALE 5:2

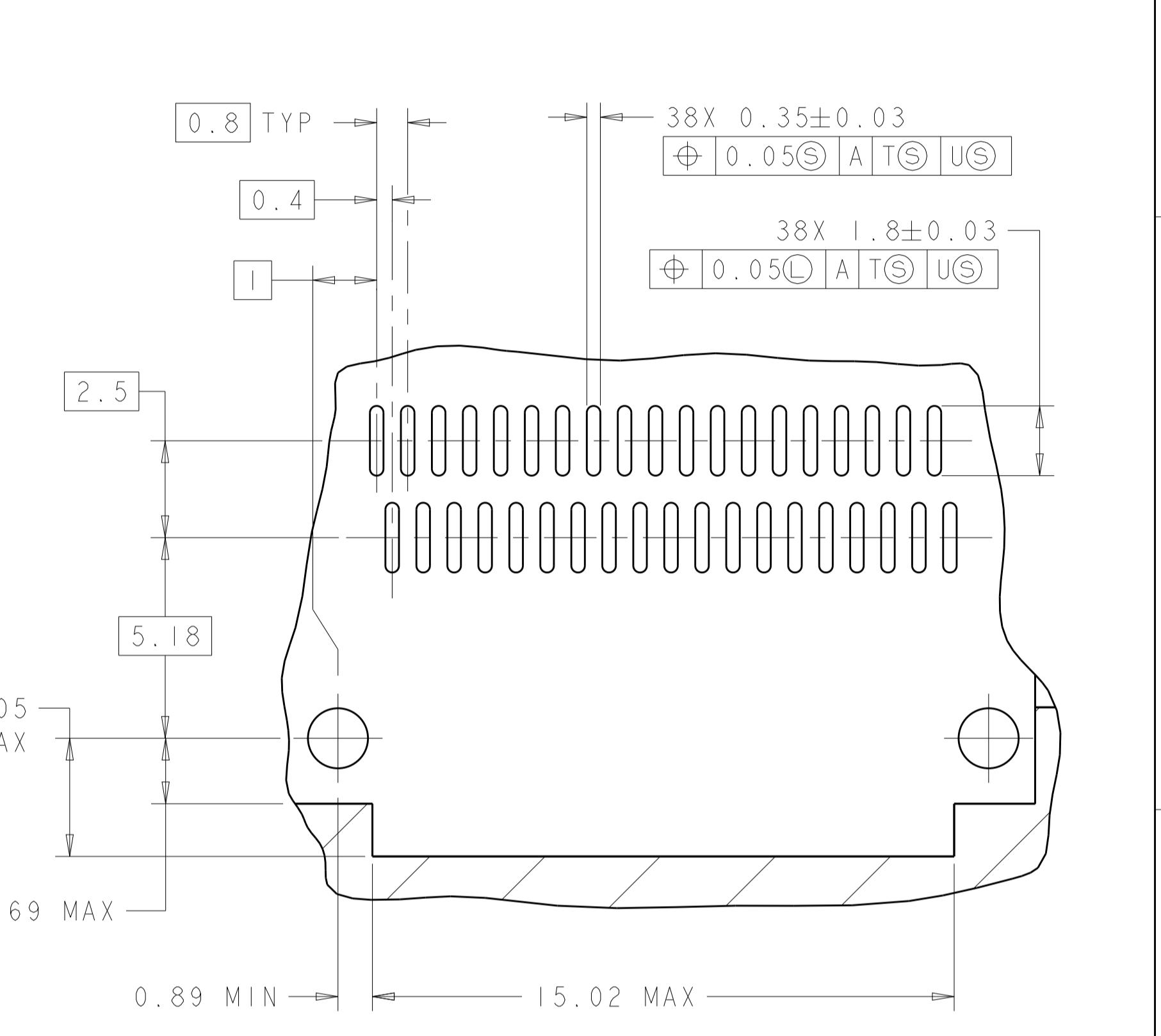
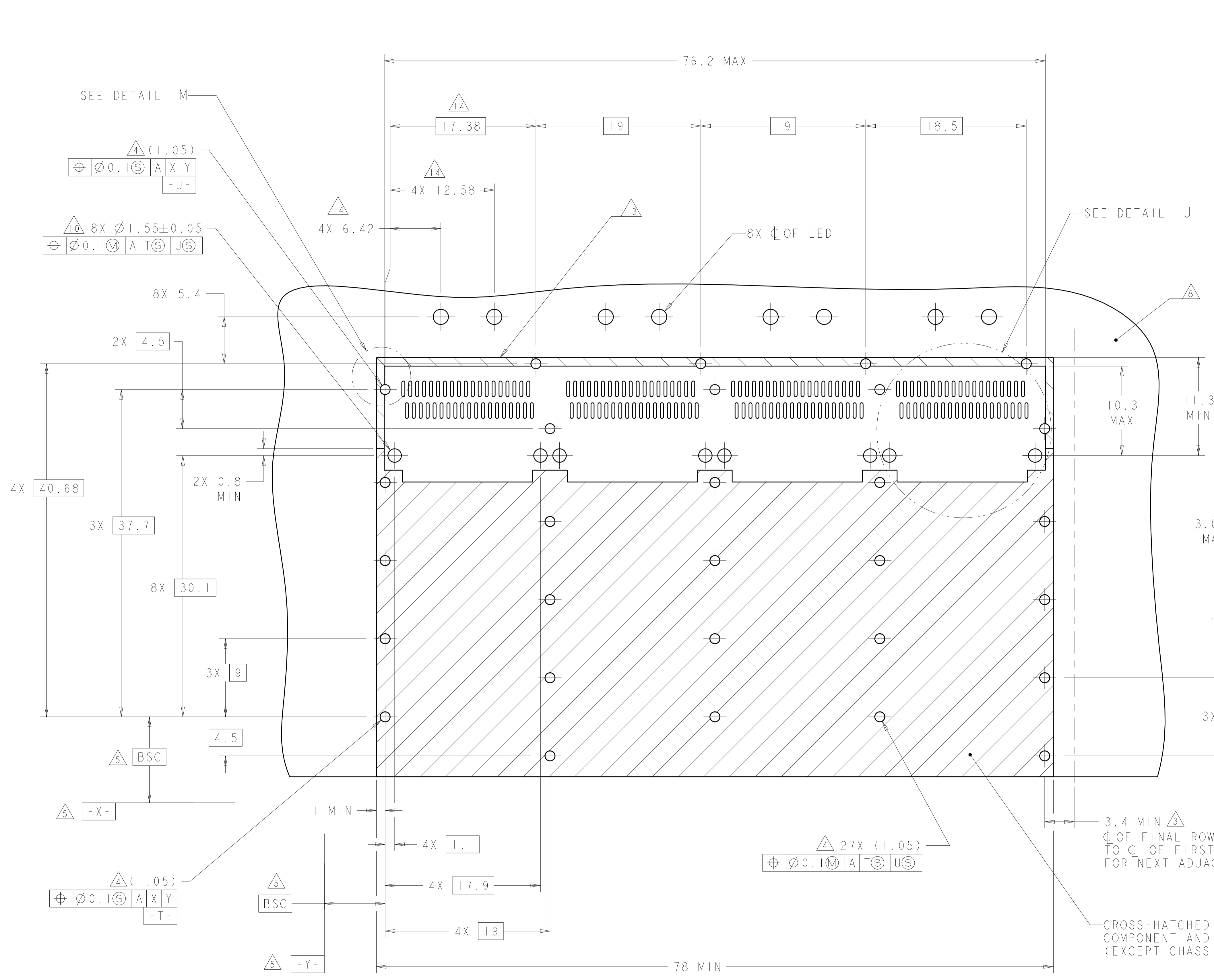


BELLY TO BELLY CONFIGURATION  
 SIMILAR TO ONE SIDED  
 EXCEPT WHERE NOTED  
 SCALE 5:2



THIS DRAWING IS A CONTROLLED DOCUMENT.		OWN C. VALENTINI 28FEB2008	TE Connectivity
DIMENSIONS:		CHK E. BRIGHT 28FEB2008	
mm	TOLERANCES UNLESS OTHERWISE SPECIFIED:	APVD E. BRIGHT 28FEB2008	NAME 1X4 CAGE ASSEMBLY, BEHIND BEZEL, W/ SQUARE LIGHT PIPES AND HEAT SINKS, QSFP
0 PLC ±	1 PLC ±0.1	PRODUCT SPEC	SIZE 108-2286
2 PLC ±0.1	3 PLC ±	APPLICATION SPEC	RESTRICTED TO
4 PLC ±	ANGLES ±	WEIGHT	A100779C=2007626
MATERIAL	FINISH	CUSTOMER DRAWING	SCALE 4:1 SHEET 3 OF 5 REV F

LOC	DIST	REV	DATE	BY	APPV
GP	00				
		DESCRIPTION	DATE	OWN	APPV
		SEE SHEET 1			



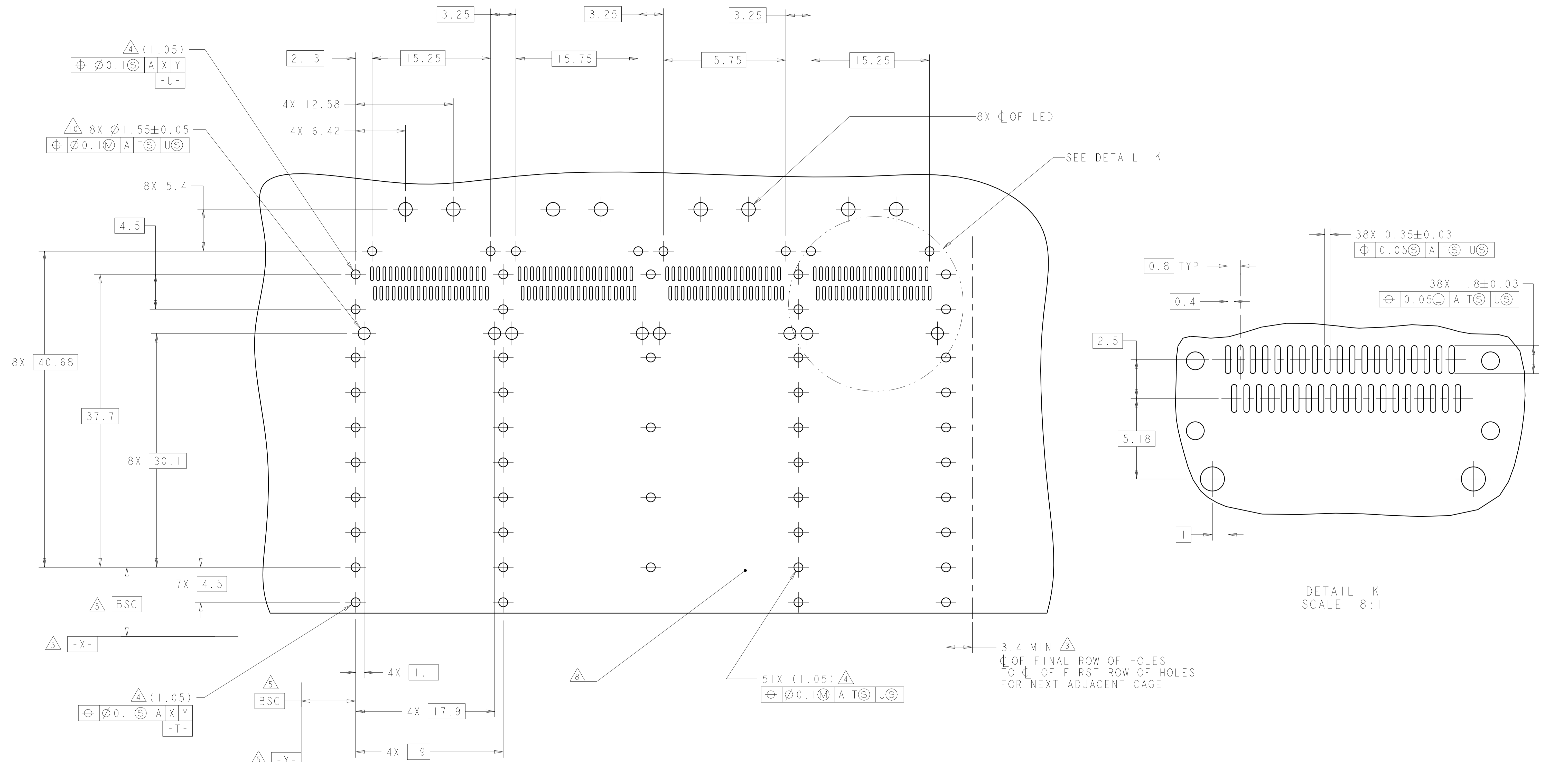
RECOMMENDED PC BOARD LAYOUT  
 SINGLE SIDE MOUNT CONFIGURATION  
 SCALE 4:1

3.4 MIN  $\Delta$   
 $\phi$  OF FINAL ROW OF HOLES  
 TO  $\phi$  OF FIRST ROW OF HOLES  
 FOR NEXT ADJACENT CAGE

CROSS-HATCHED AREA DENOTES  
 COMPONENT AND TRACE KEEP-OUT  
 (EXCEPT CHASSIS GROUND)

THIS DRAWING IS A CONTROLLED DOCUMENT.		OWN C. VALENTINI 28FEB2008	TE Connectivity												
DIMENSIONS: mm		CHK E. BRIGHT 28FEB2008													
TOLERANCES UNLESS OTHERWISE SPECIFIED:		APVD E. BRIGHT 28FEB2008	NAME 1X4 CAGE ASSEMBLY, BEHIND BEZEL, W/ SQUARE LIGHT PIPES AND HEAT SINKS, QSFP												
<table border="1"> <tr> <td>0 PLC</td> <td>±</td> </tr> <tr> <td>1 PLC</td> <td>±0.1</td> </tr> <tr> <td>2 PLC</td> <td>±0.1</td> </tr> <tr> <td>3 PLC</td> <td>±</td> </tr> <tr> <td>4 PLC</td> <td>±</td> </tr> <tr> <td>ANGLES</td> <td>±</td> </tr> </table>		0 PLC	±	1 PLC	±0.1	2 PLC	±0.1	3 PLC	±	4 PLC	±	ANGLES	±	PRODUCT SPEC 108-2286	SIZE A100779
0 PLC	±														
1 PLC	±0.1														
2 PLC	±0.1														
3 PLC	±														
4 PLC	±														
ANGLES	±														
MATERIAL		APPLICATION SPEC	RESTRICTED TO												
FINISH		WEIGHT	SCALE 1:1 SHEET 4 OF 5 REV F												
		CUSTOMER DRAWING													

LOC	DIST	REVISIONS					
GP	00	P	LTN	DESCRIPTION	DATE	DMN	APVD
		-		SEE SHEET 1	-	-	-



RECOMMENDED PC BOARD LAYOUT  
 BELLY TO BELLY CONFIGURATION  
 SEE SHEET 4 FOR COMPONENT AND TRACE KEEPOUTS.  
 SCALE 4:1

DETAIL K  
 SCALE 8:1

THIS DRAWING IS A CONTROLLED DOCUMENT.		DMN C. VALENTINE 28FEB2008	TE Connectivity
DIMENSIONS:		CHK E. BRIGHT 28FEB2008	
mm	TOLERANCES UNLESS OTHERWISE SPECIFIED:	APVD E. BRIGHT 28FEB2008	NAME 1X4 CAGE ASSEMBLY, BEHIND BEZEL, W/ SQUARE LIGHT PIPES AND HEAT SINKS, QSFP
	0 PLC ± 1 PLC ±0.1 2 PLC ±0.1 3 PLC ± 4 PLC ± ANGLES ±	PRODUCT SPEC 108-2286	SIZE A100779C=2007626
MATERIAL	FINISH	APPLICATION SPEC	RESTRICTED TO
		WEIGHT	SCALE 4:1 SHEET 5 OF 5 REV F
CUSTOMER DRAWING			

## X-ON Electronics

Largest Supplier of Electrical and Electronic Components

*Click to view similar products for [I/O Connectors](#) category:*

*Click to view products by [TE Connectivity](#) manufacturer:*

Other Similar products are found below :

[571763P](#) [58098-0628](#) [72.250.1628.2](#) [72.250.2428.2](#) [74720-0505](#) [76.350.0729.0](#) [76871-1403](#) [FCN-244F080-G/1](#) [FCN-260A9920](#) [PCR-E36PM](#) [PCS-XE26MA+](#) [G38A71314B](#) [1571250010](#) [157-22500-3](#) [MS3471L14-19P L/C](#) [172501-4002](#) [172501-6002](#) [FCN-260C008-A/L0](#) [FCN-260C024-AL0](#) [FCN-261Z008](#) [2000314-1](#) [200331-1](#) [PCR-E36FC+](#) [PCS-E28FS+](#) [PCS-XE26SLFD+](#) [PCS-XE26SLFDT+](#) [G730VID08BDC24](#) [U90B2054081210](#) [38113800006](#) [DP3AR020WQ1R200](#) [Z4.102.0680.0](#) [500-1040](#) [500-1052](#) [500-1054](#) [ZP-4008-66L](#) [0709821002](#) [DX40-20P\(55\)](#) [5554841-1](#) [MS3474W18-8P-LC\\*](#) [U90B3054061110](#) [U65-E04-4020](#) [ZPF000000000097891](#) [747360449](#) [10099439-003C-TRLF](#) [10137239-0021LF](#) [E9320-001-01](#) [10137239-0011LF](#) [70289-001LF](#) [70.060.1028.0](#) [109029-ZZ](#)