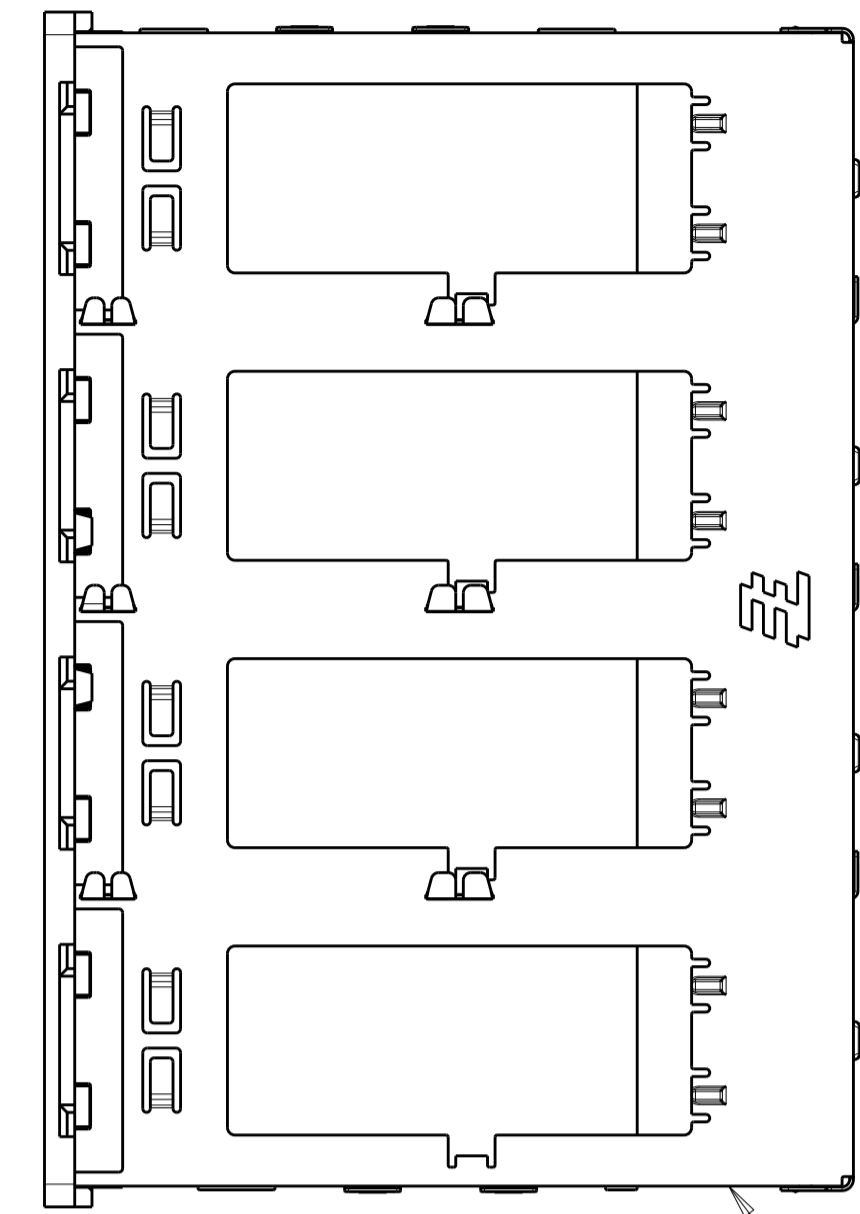
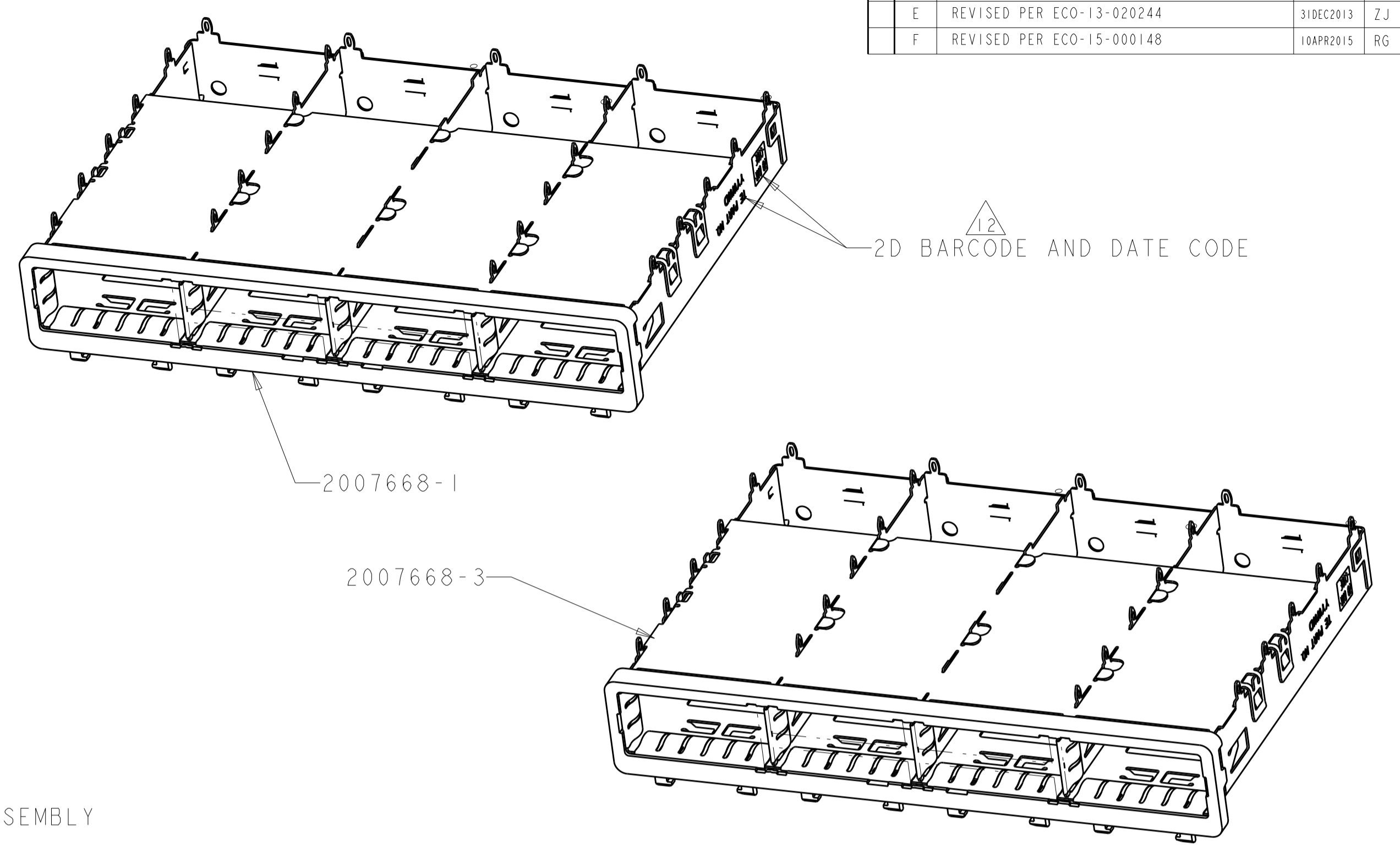


LOC	DIST	REVISIONS			
P	LTN	DESCRIPTION	DATE	DMN	APVD
C		REVISED PER ECO-10-018045	03NOV2010	CJV	EJB
D		REVISED PER ECO-12-003841	15MAR2012	TY	KS
E		REVISED PER ECO-13-020244	31DEC2013	ZJ	JY
F		REVISED PER ECO-15-000148	10APR2015	RG	MC

- 1 SURFACE TRACES PERMITTED WITHIN THIS AREA EXCEPT WHERE CAGE STANDOFFS, SHOWN IN DETAIL S, CONTACT PC BOARD.
- 2 PITCH BETWEEN PORTS OF ONE 1X4 CAGE.
- 3 SPACING BETWEEN CAGES ON THE SAME PC BOARD. TO BE SPECIFIED BY CUSTOMER, MUST COMPLY WITH MINIMUM DIMENSIONS SHOWN.
- 4 REFERENCE APPLICATION SPEC 114-13218 FOR RECOMMENDED DRILL HOLE DIAMETER AND PLATING THICKNESS.
- 5 UNPLATED THRU HOLE.
- 6 DATUM AND BASIC DIMENSION ESTABLISHED BY CUSTOMER.
- 7 DATUM -A- IS TOP SURFACE OF THE HOST BOARD.
- 8 DIMENSION C IS THE NOMINAL THICKNESS OF CUSTOMER SUPPLIED PC BOARD. MINIMUM PC BOARD THICKNESS:  
 SINGLE SIDED: 1.45mm  
 DOUBLE SIDED: 2.2mm PER QSFP
- 9. MATES WITH QSFP MSA COMPATIBLE TRANSCEIVER.
- 10 BASELINE FOR THE DIMENSION IS CENTER OF COMPLIANT PIN HOLE.
- 11 LED ON HOST BOARD. QUANTITY, POSITION, AND GEOMETRY DEPENDS ON CHOICE OF LIGHT PIPES.
- 12 2D BARCODE AND DATE CODE (YYWWD) MARKED APPROXIMATELY AS SHOWN.
- 13 REFERENCE APP SPEC 114-13218 FOR GASKET THICKNESS CALCULATION.
- 14 MATERIAL:  
 CAGE ASSEMBLY: NICKEL SILVER, 0.25 THICK  
 EMI SPRINGS: COPPER ALLOY  
 FRONT FLANGE: ZINC ALLOY.
- 15 FINISH:  
 EMI SPRINGS: 2µm MINIMUM TIN  
 FRONT FLANGE: 3µm MINIMUM TIN OVER 1.27µm MINIMUM NICKEL OVER 5.08µm MINIMUM COPPER.
- 16 HOLES ARE OPTIONAL WHEN PINS ON CENTRAL DIVIDER ARE REMOVED.



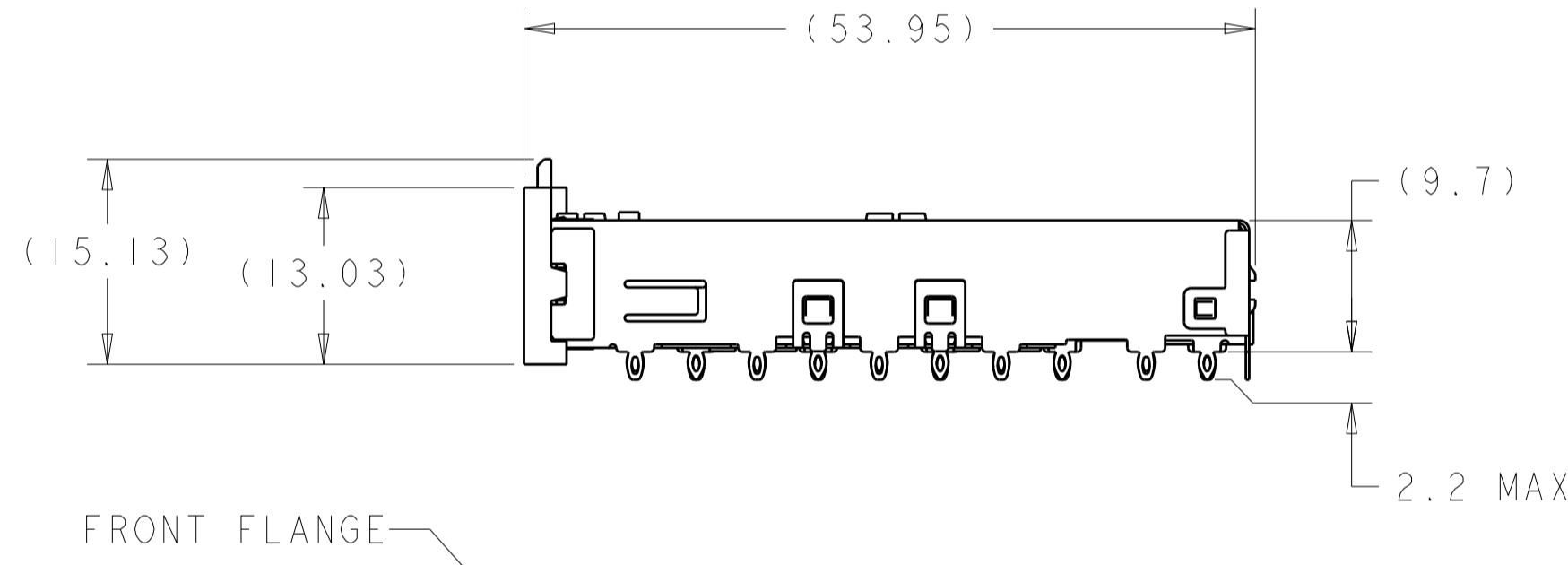
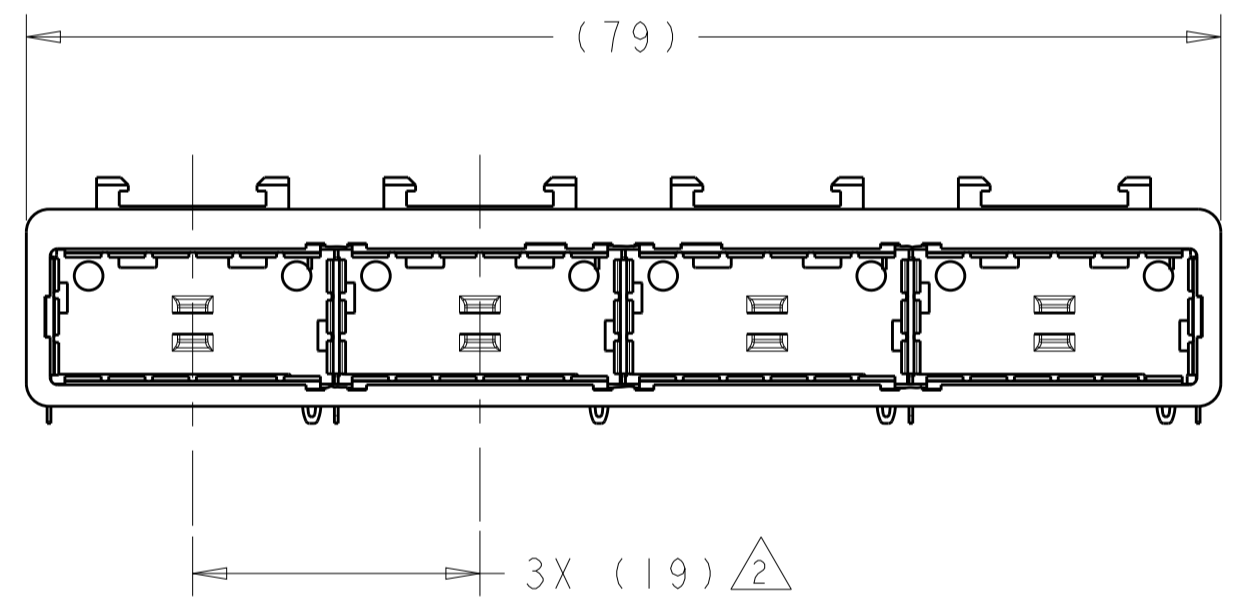
EMI SPRINGS CAGE ASSEMBLY



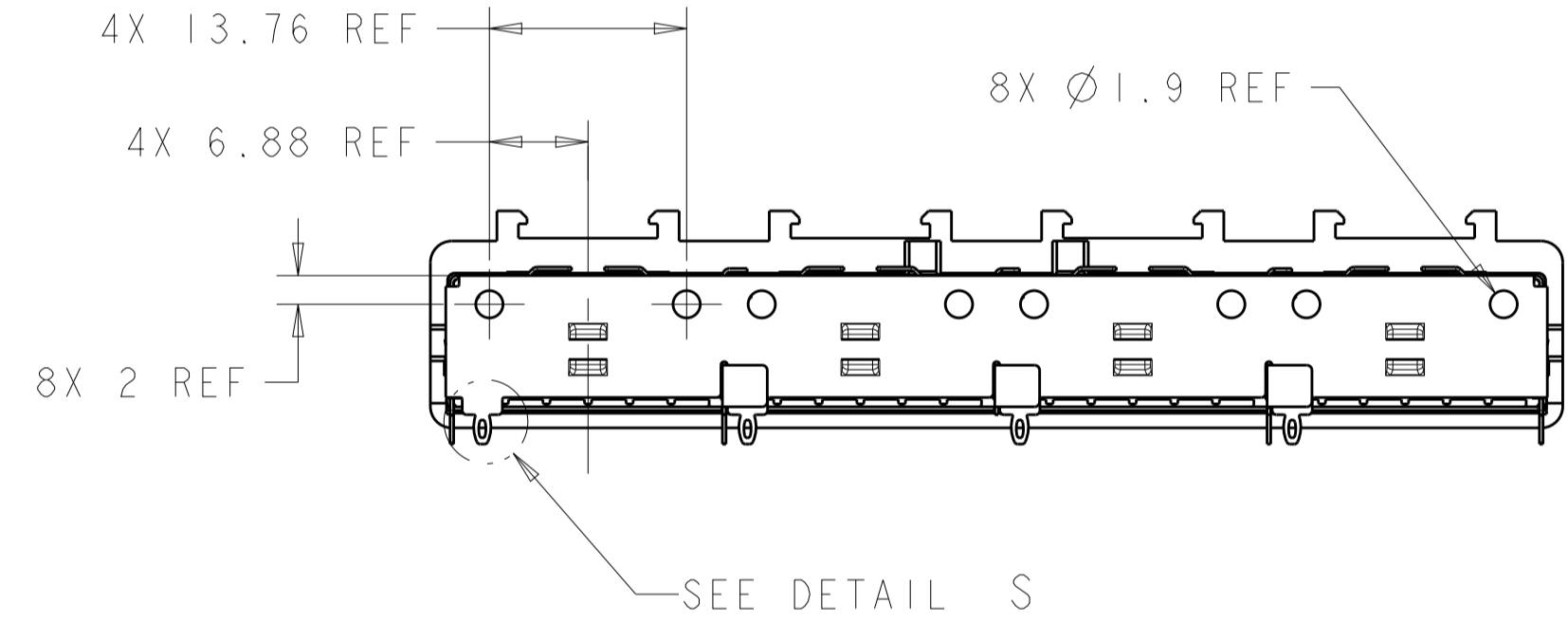
2D BARCODE AND DATE CODE

2007668-1

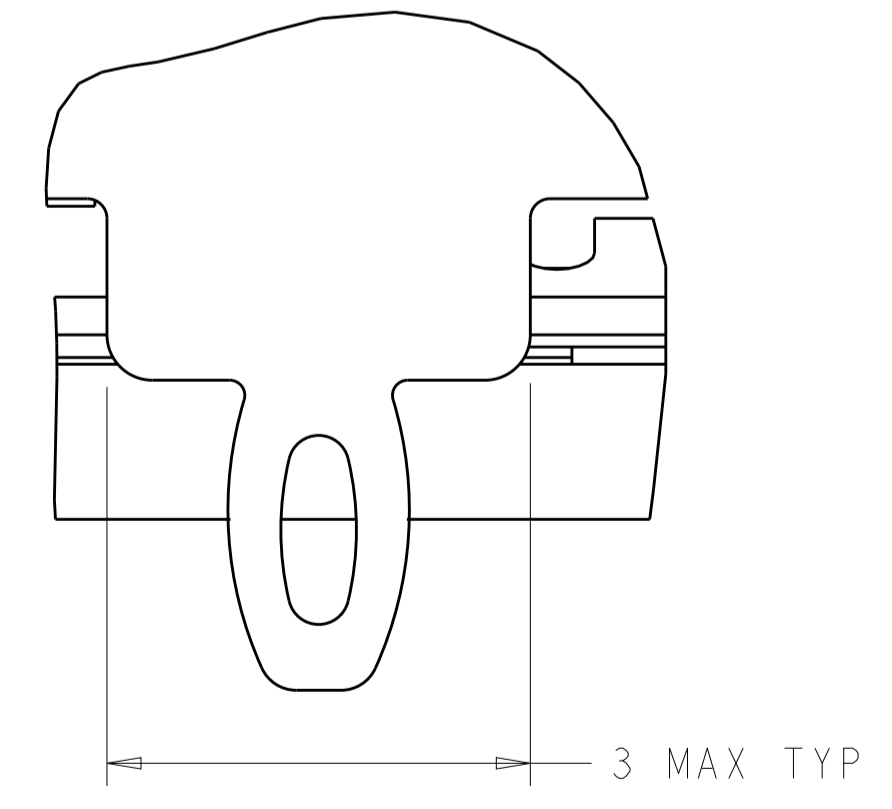
2007668-3



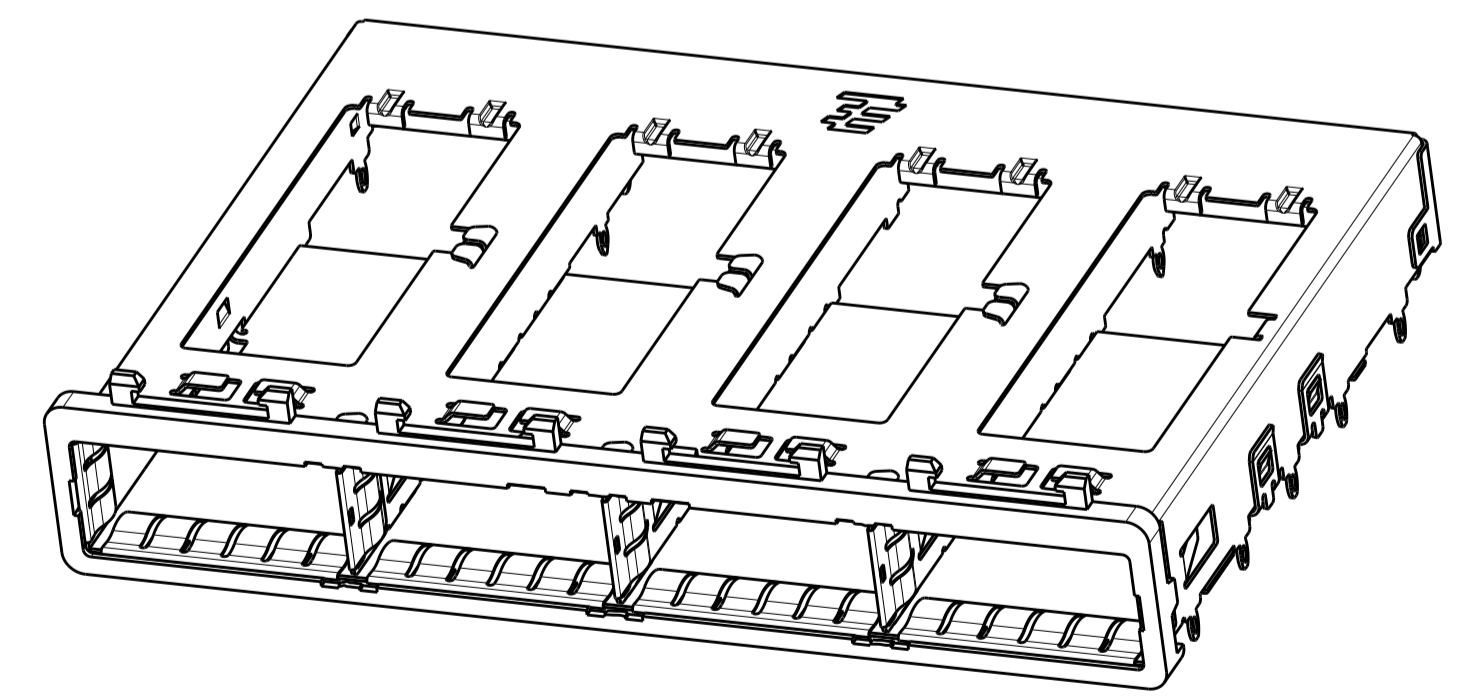
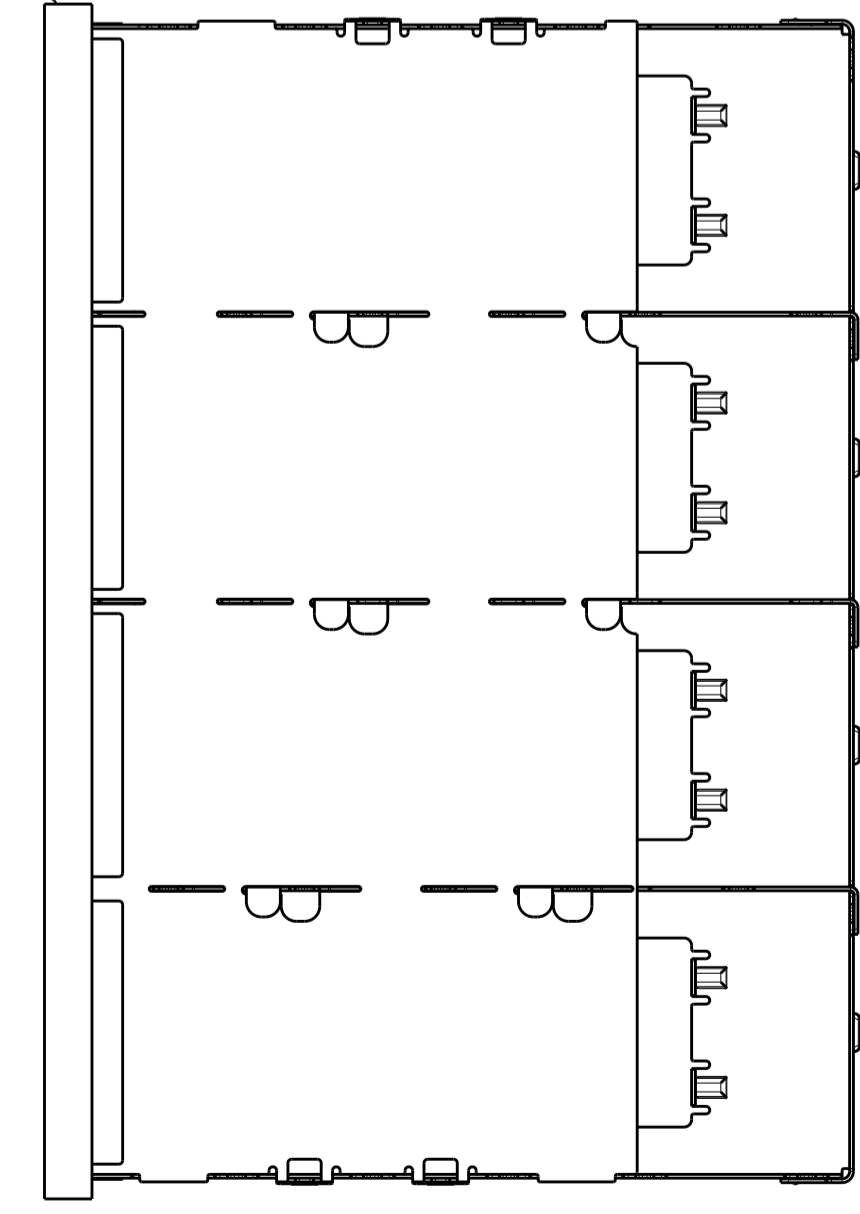
FRONT FLANGE



SEE DETAIL S



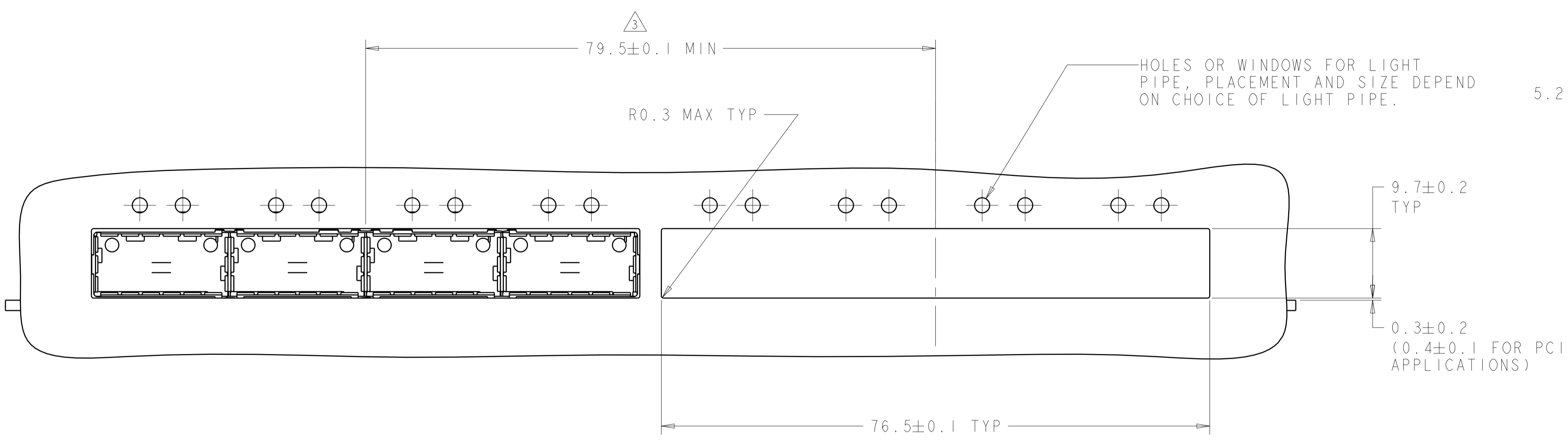
DETAIL S SCALE 20:1



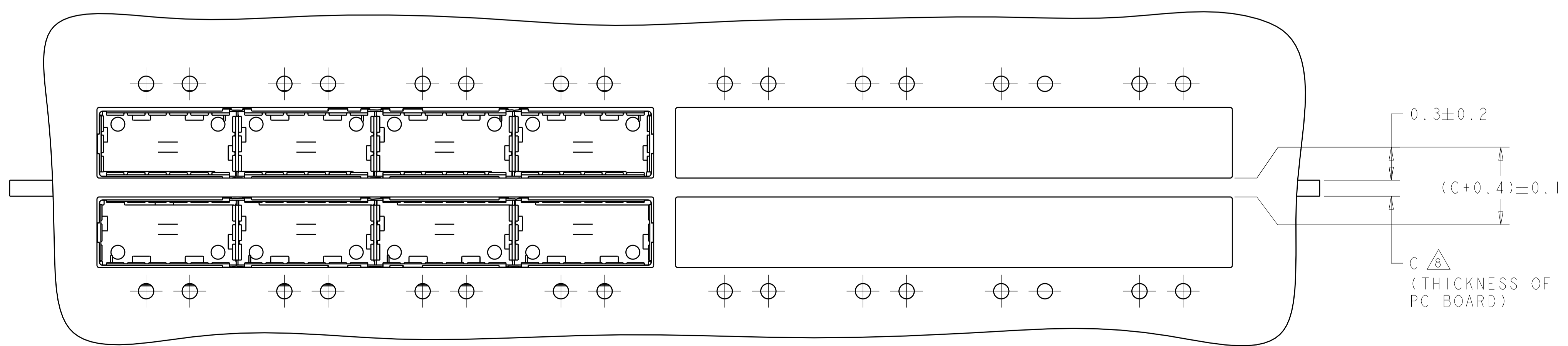
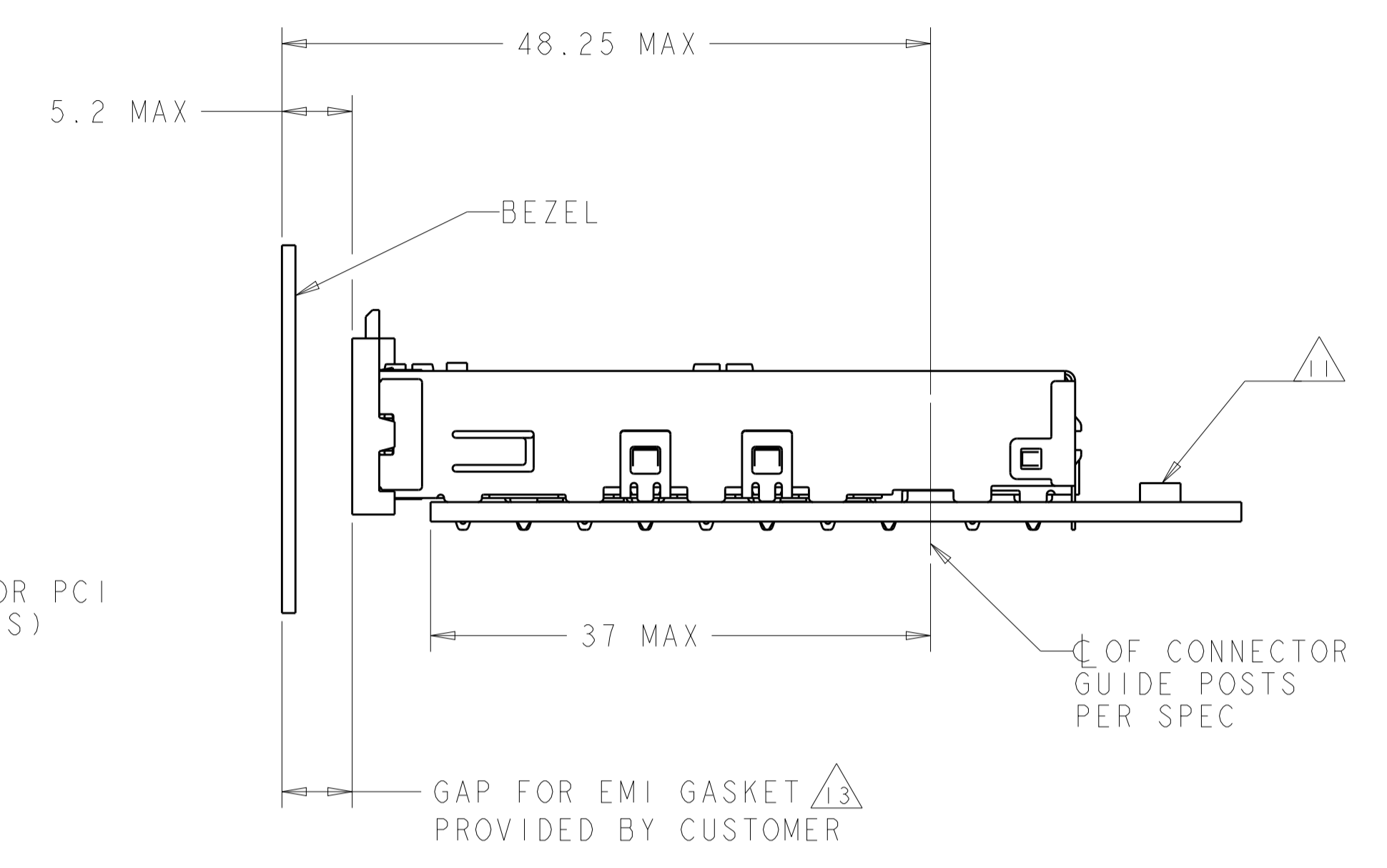
2007668-3
2007668-1
PART NUMBER

THIS DRAWING IS A CONTROLLED DOCUMENT.		DMN C. VALENTINE 17APR2008	TE Connectivity	
DIMENSIONS:		CHK E. BRIGHT 17APR2008	NAME 1X4 CAGE ASSEMBLY, BEHIND BEZEL, W/ LIGHT PIPE BRACKET, QSFP	
mm	TOLERANCES UNLESS OTHERWISE SPECIFIED:	APVD E. BRIGHT 17APR2008	PRODUCT SPEC 108-2286	
0 PLC	±	APPLICATION SPEC 114-13218	SIZE CAGE CODE DRAWING NO A100779C=2007668	
1 PLC	±0.1	WEIGHT	RESTRICTED TO	
2 PLC	±0.1	CUSTOMER DRAWING	SCALE 2:1 SHEET 1 OF 4 REV F	
3 PLC	±0.013			
4 PLC	±0.0001			
ANGLES	±			
MATERIAL	FINISH			
14	15			

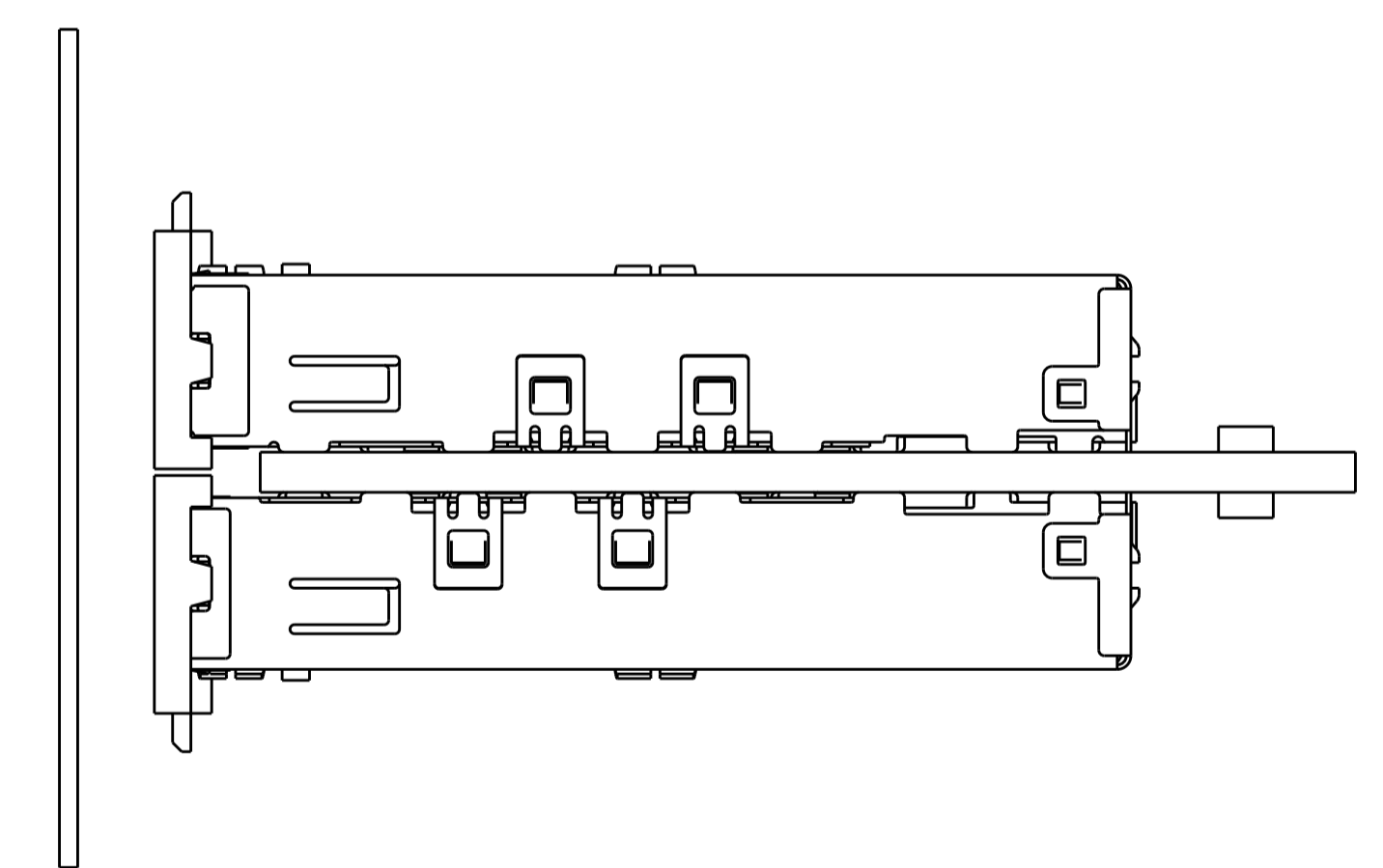
LOC	DIST	REV	DATE	BY	APPV
GP	00				
REVISIONS					



ONE SIDED CONFIGURATION  
SCALE 5:2

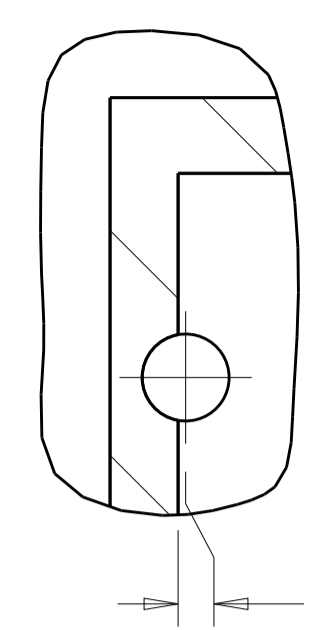
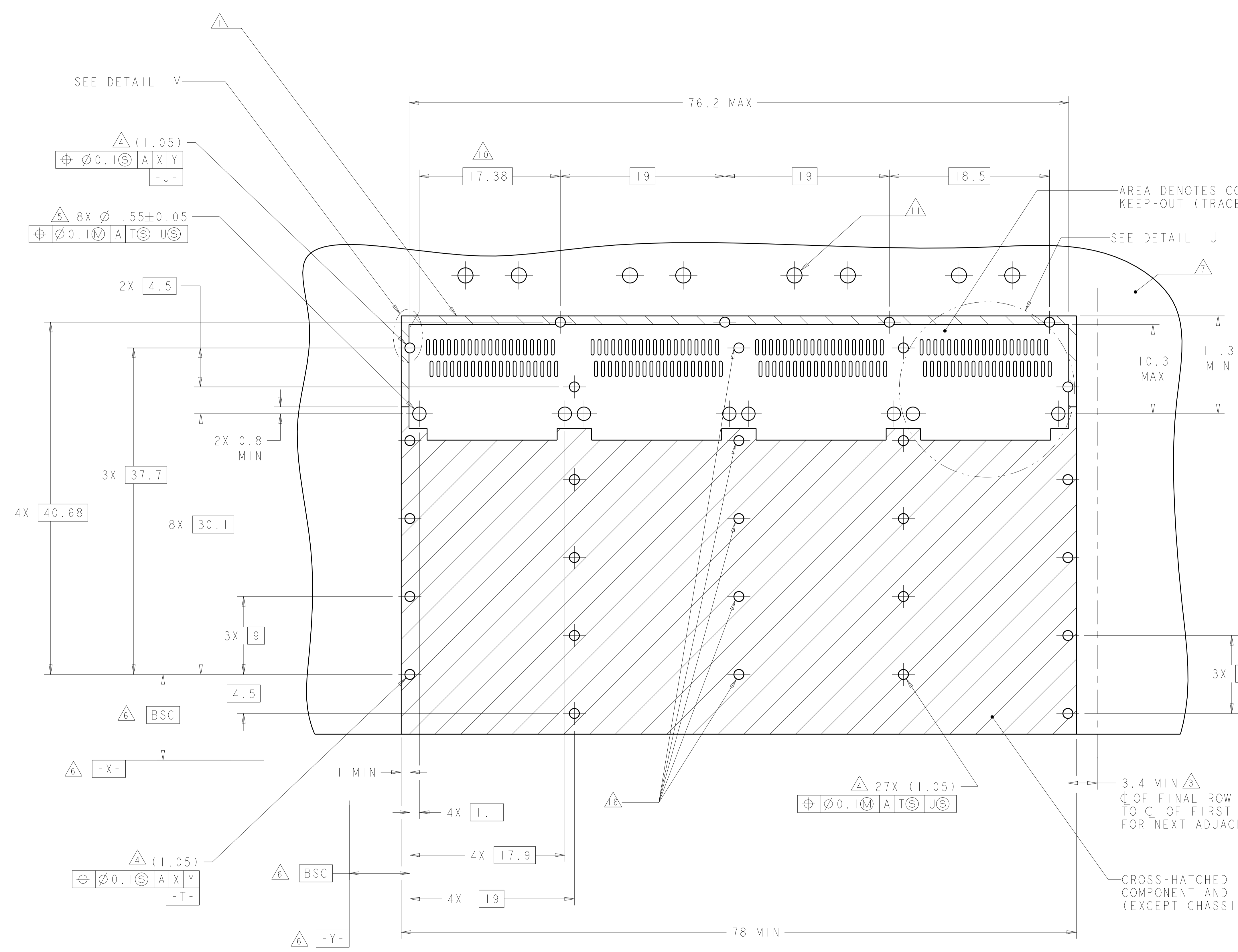


BELLY TO BELLY CONFIGURATION SIMILAR  
TO ONE SIDED EXCEPT WHERE NOTED  
SCALE 5:2

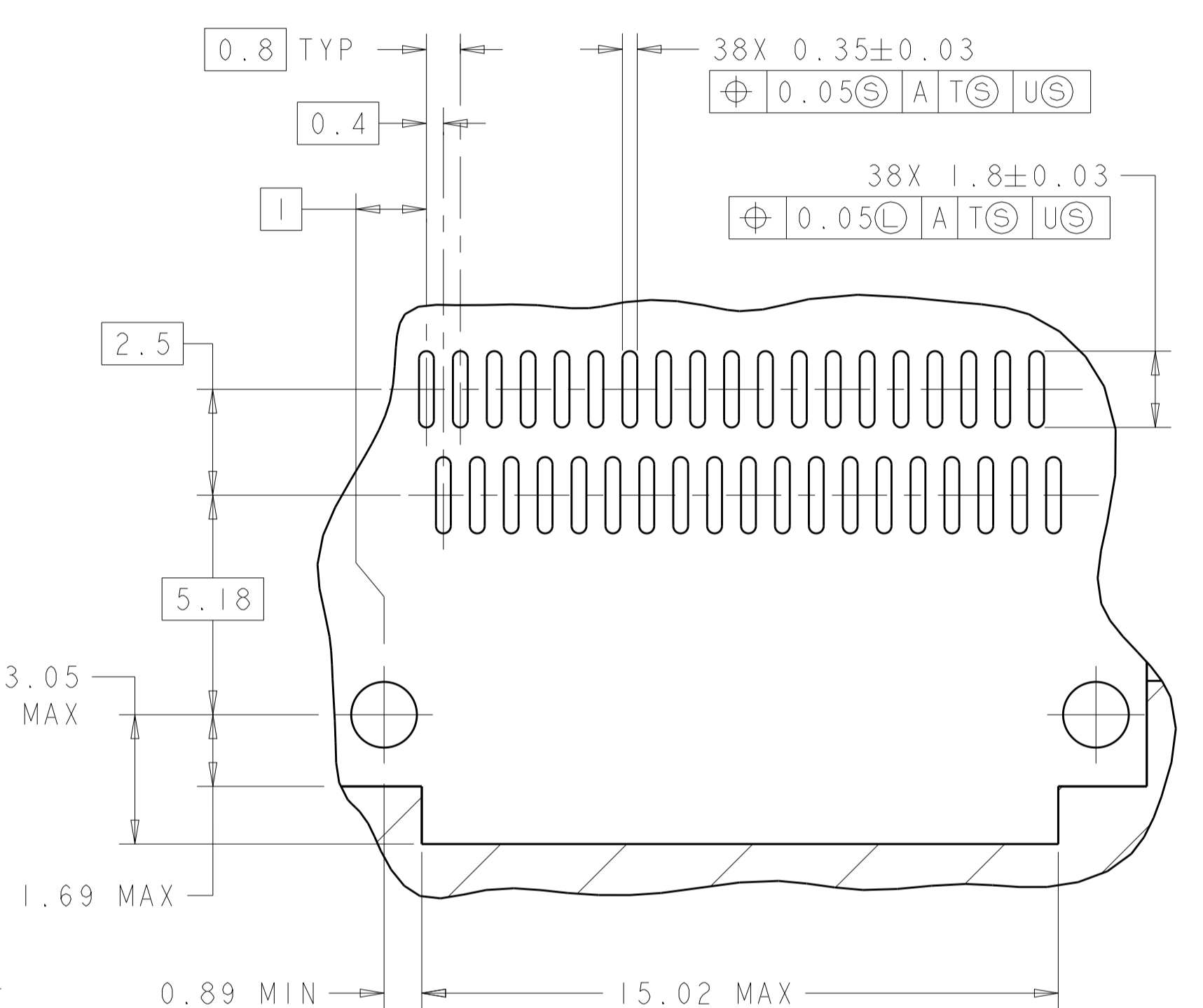


THIS DRAWING IS A CONTROLLED DOCUMENT.		OWN: C. VALENTINE 17APR2008	TE Connectivity
DIMENSIONS: mm		CHK: E. BRIGHT 17APR2008	
TOLERANCES UNLESS OTHERWISE SPECIFIED:		APPV: E. BRIGHT 17APR2008	NAME: 1X4 CAGE ASSEMBLY, BEHIND BEZEL, W/ LIGHT PIPE BRACKET, QSFP
0 PLC ±	1 PLC ±0.1	PRODUCT SPEC	108-2286
2 PLC ±0.1	3 PLC ±0.013	APPLICATION SPEC	114-13218
4 PLC ±0.0001	ANGLES ±	WEIGHT	A100779C=2007668
MATERIAL:		FINISH:	CUSTOMER DRAWING
SCALE 2:1		SHEET 2 OF 4	REV F

LOC	DIST	REVISIONS					
GP	00	P	LTN	DESCRIPTION	DATE	DWN	APVD
-	-	-	-	SEE SHEET 1	-	-	-



DETAIL M  
SCALE 10:1



DETAIL J  
4 PLACES  
SCALE 8:1

RECOMMENDED PC BOARD LAYOUT  
 SINGLE SIDE MOUNT CONFIGURATION  
 SCALE 4:1

3.4 MIN  $\Delta$  3  
 $\phi$  OF FINAL ROW OF HOLES  
 TO  $\phi$  OF FIRST ROW OF HOLES  
 FOR NEXT ADJACENT CAGE.

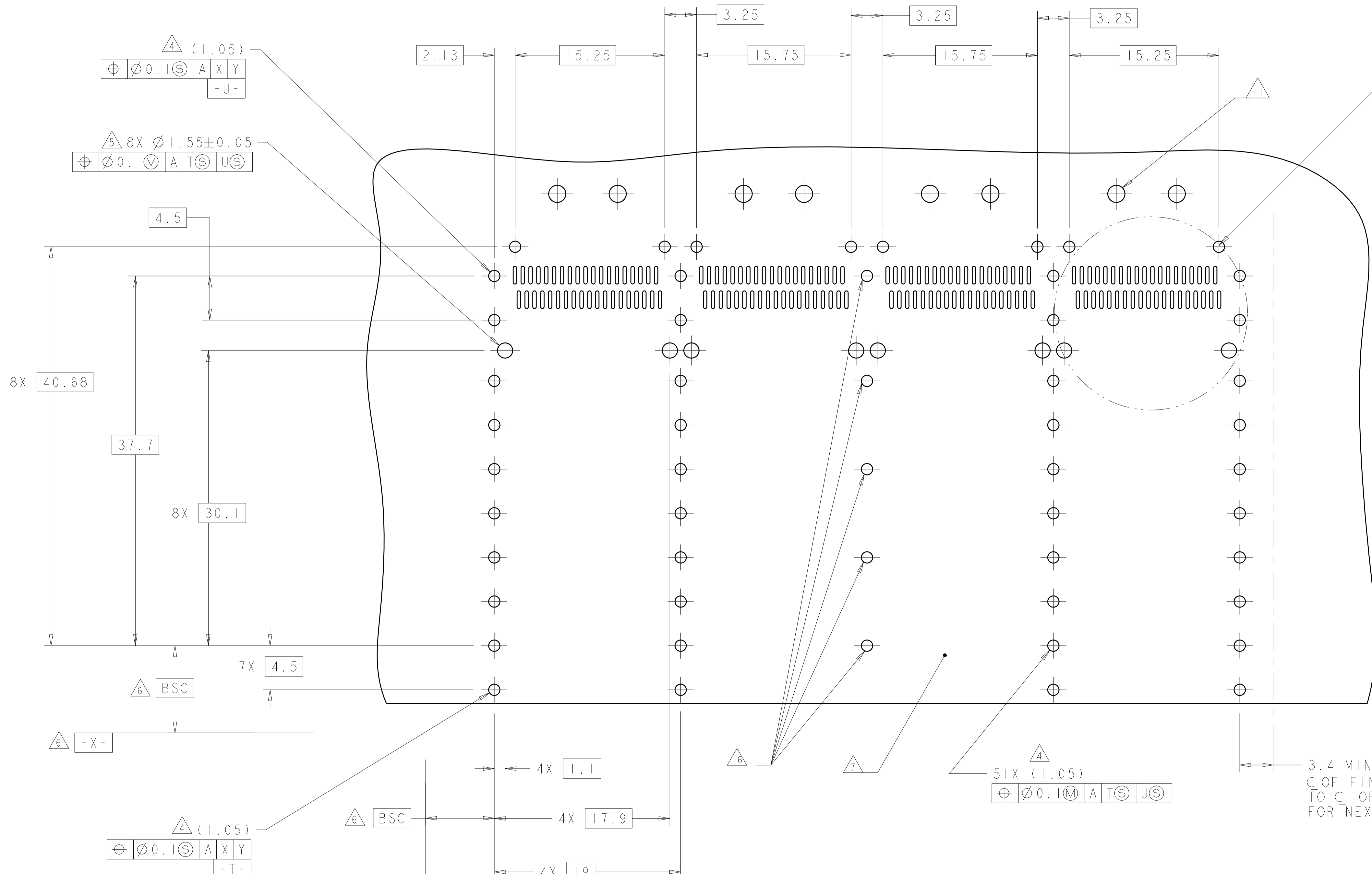
CROSS-HATCHED AREA DENOTES  
 COMPONENT AND TRACE KEEP-OUT  
 (EXCEPT CHASSIS GROUND)

THIS DRAWING IS A CONTROLLED DOCUMENT.		DWN C. VALENTINE 17APR2008	TE Connectivity NAME 1X4 CAGE ASSEMBLY, BEHIND BEZEL, W/ LIGHT PIPE BRACKET, QSFP
DIMENSIONS: mm		CHK E. BRIGHT 17APR2008	
TOLERANCES UNLESS OTHERWISE SPECIFIED:		APVD E. BRIGHT 17APR2008	PRODUCT SPEC
0 PLC ±0.1		108-2286	
1 PLC ±0.1		APPLICATION SPEC	
2 PLC ±0.013		114-13218	
3 PLC ±0.0001		WEIGHT	
4 PLC ±0.0001		CUSTOMER DRAWING	
ANGLES ±0.0001		SCALE 2:1 SHEET 3 OF 4 REV F	

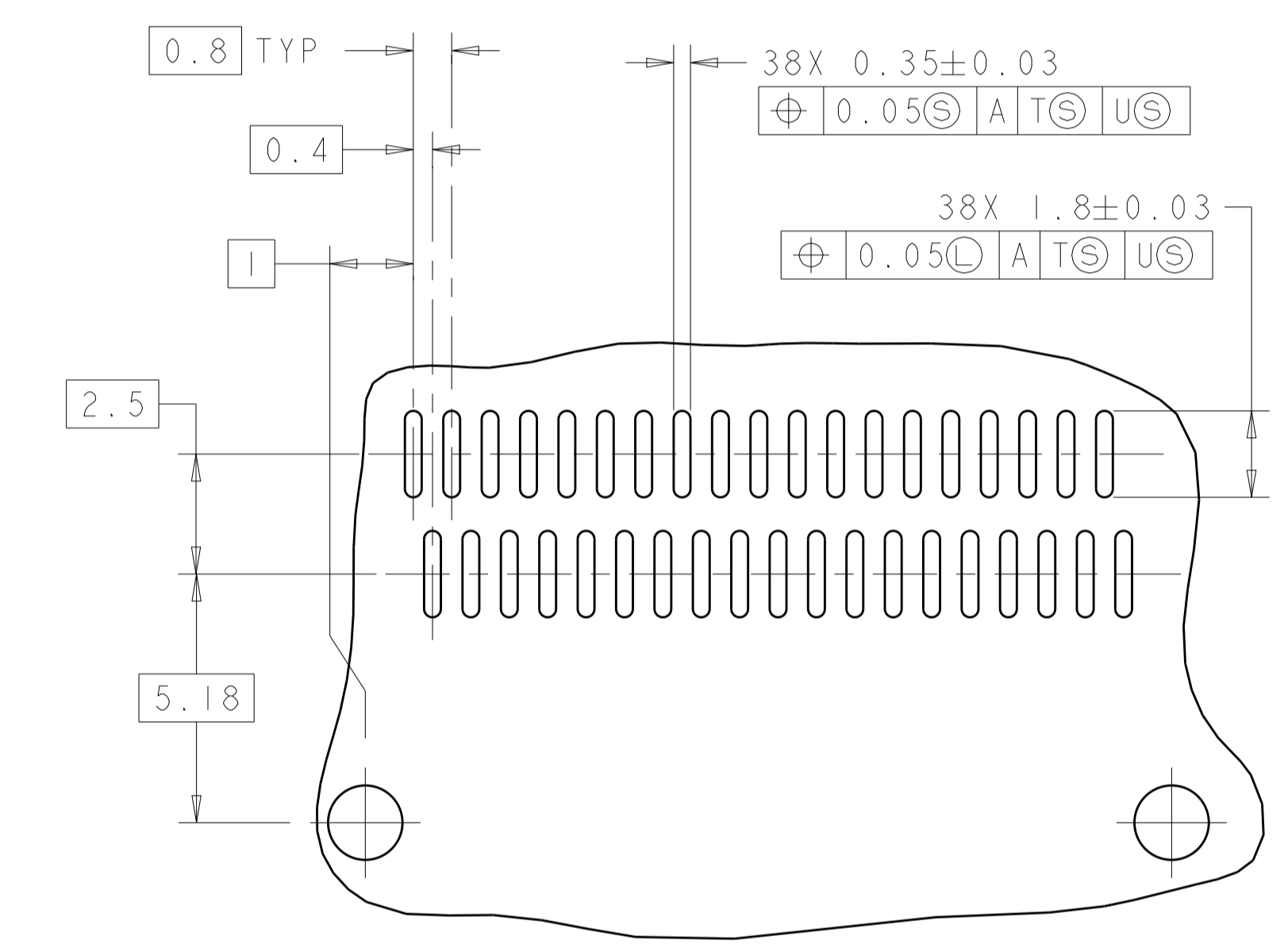
LOC	DIST	REV	DATE	BY	APPD
GP	00				

REVISIONS			
REV	DATE	BY	APPD
-	-	-	-
SEE SHEET 1			



SEE DETAIL K



RECOMMENDED PC BOARD LAYOUT  
 BELLY TO BELLY CONFIGURATION  
 SEE SHEET 3 FOR COMPONENT AND TRACE KEEP-OUTS  
 SCALE 4:1

THIS DRAWING IS A CONTROLLED DOCUMENT.		OWN: C. VALENTINE 17APR2008	TE Connectivity
DIMENSIONS: mm		CHK: E. BRIGHT 17APR2008	
TOLERANCES UNLESS OTHERWISE SPECIFIED:		APVD: F. BRIGHT 17APR2008	NAME: 1X4 CAGE ASSEMBLY, BEHIND BEZEL, W/ LIGHT PIPE BRACKET, QSFP PRODUCT SPEC: 108-2286 APPLICATION SPEC: 114-13218
0 PLC ± 1 PLC ±0.1 2 PLC ±0.1 3 PLC ±0.013 4 PLC ±0.0001 ANGLES ±		SIZE: CAGE CODE DRAWING NO: WEIGHT: A100779C=2007668	
MATERIAL: FINISH:		CUSTOMER DRAWING	RESTRICTED TO: SCALE 2:1 SHEET 4 OF 4 REV F

## X-ON Electronics

Largest Supplier of Electrical and Electronic Components

*Click to view similar products for [I/O Connectors](#) category:*

*Click to view products by [TE Connectivity](#) manufacturer:*

Other Similar products are found below :

[571763P](#) [72.250.1628.2](#) [72.250.2428.2](#) [74720-0505](#) [76.350.0729.0](#) [76871-1403](#) [FCN-244F080-G/1](#) [FCN-260A9920](#) [MP-5T180MUNNA-005](#)  
[PCR-E36PM](#) [PCS-XE26MA+](#) [G38A71314B](#) [1571250010](#) [157-22500-3](#) [MS3471L14-19P L/C](#) [91-569786-35H](#) [172501-4002](#) [172501-6002](#)  
[FCN-260C008-A/L0](#) [FCN-260C024-AL0](#) [FCN-261Z008](#) [2000314-1](#) [200331-1](#) [PCR-E36FC+](#) [PCS-E28FS+](#) [PCS-XE26SLFD+](#) [PCS-](#)  
[XE26SLFDT+](#) [G730VID08BDC24](#) [HDMR-29-01-S-SM-TR](#) [U90B2054081210](#) [UE86K842720321](#) [38113800006](#) [DP3AR020WQ1R200](#)  
[Z4.102.0680.0](#) [500-1040](#) [500-1052](#) [500-1054](#) [ZP-4008-66L](#) [0709821002](#) [10-565995-597N](#) [DX40-20P\(55\)](#) [5554841-1](#) [U90B3054061110](#)  
[U65-E04-4020](#) [ZPF00000000097891](#) [557-262M2-06C](#) [747360449](#) [10099439-003C-TRLF](#) [10137239-0021LF](#) [E9320-001-01](#)