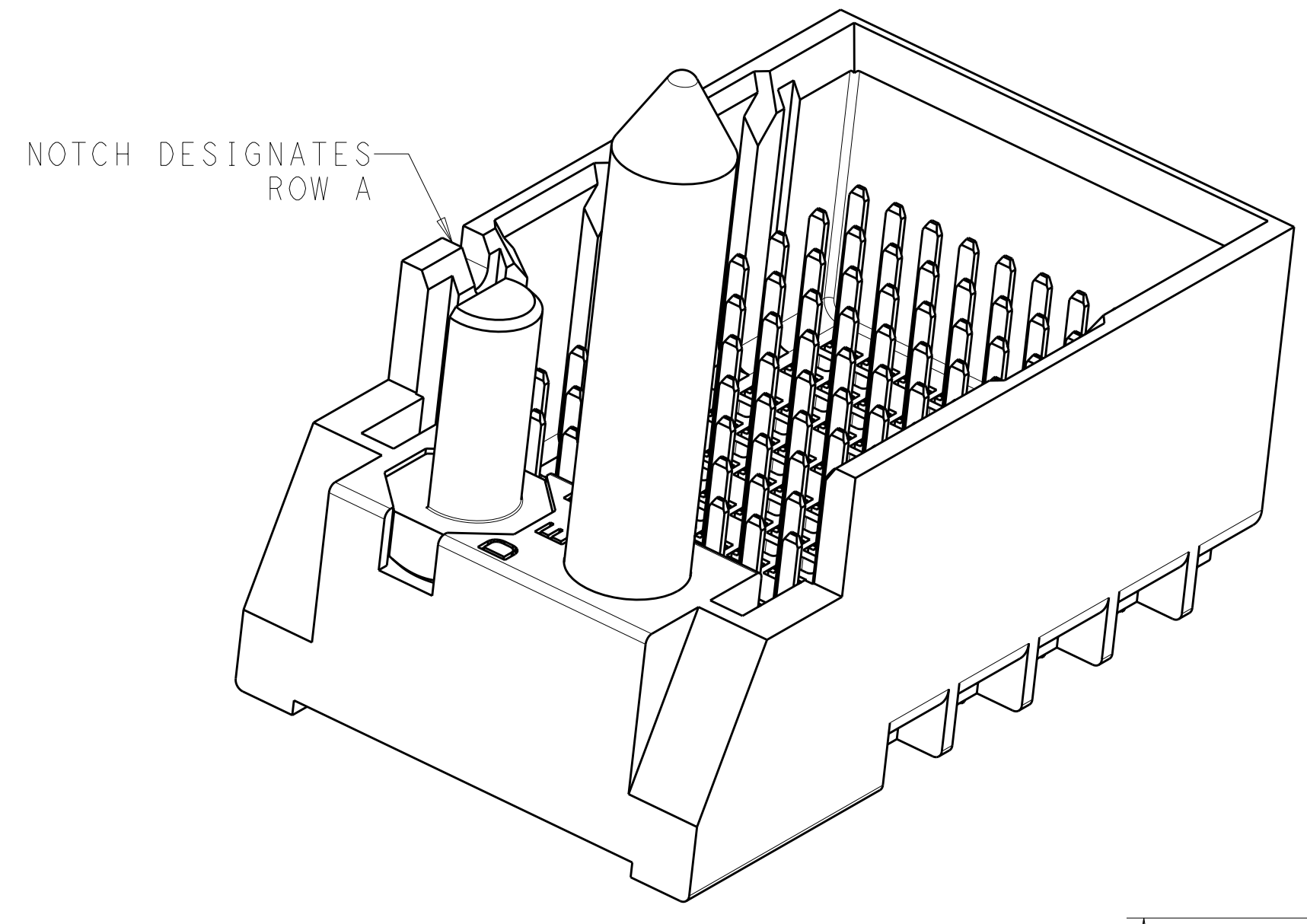
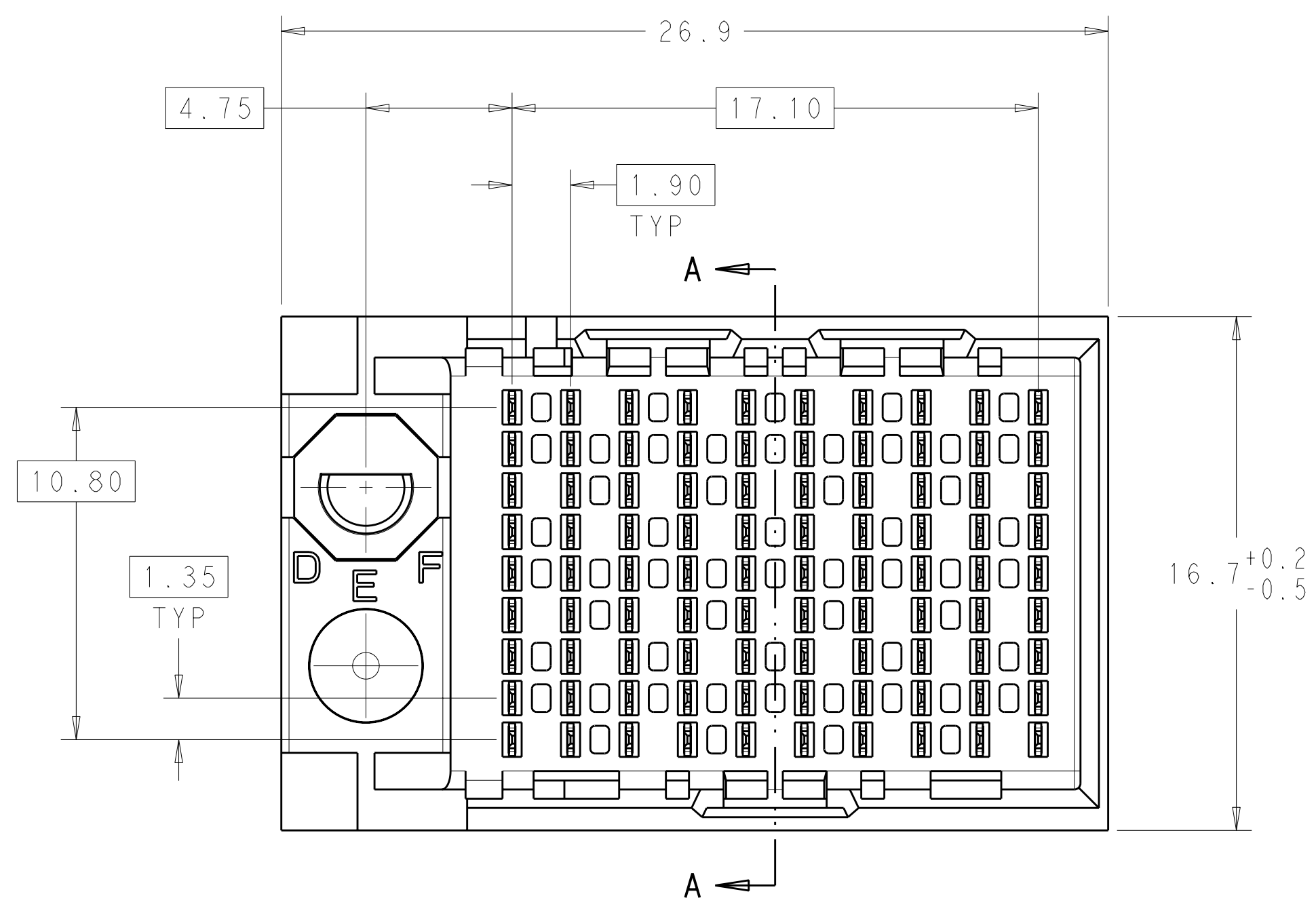
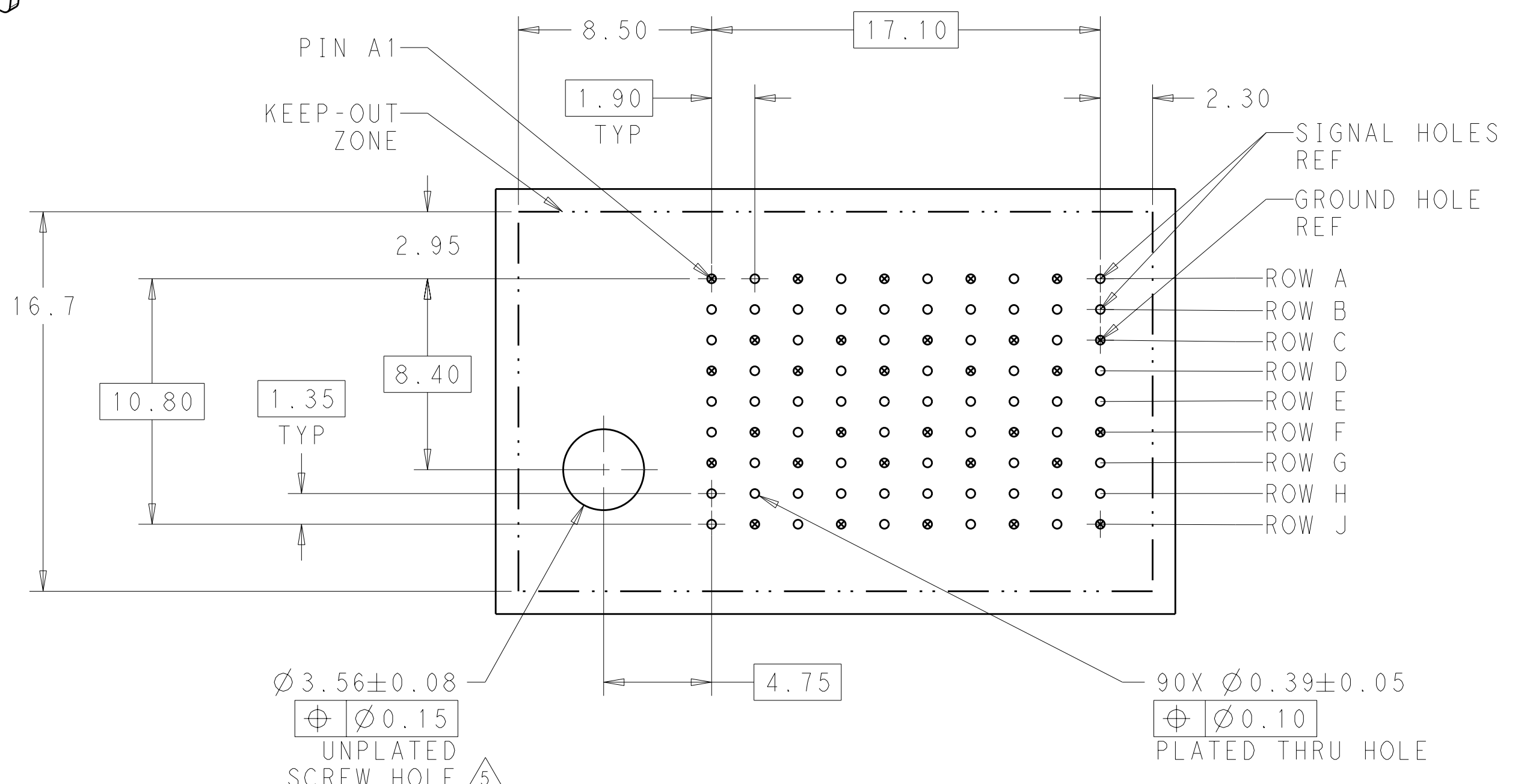


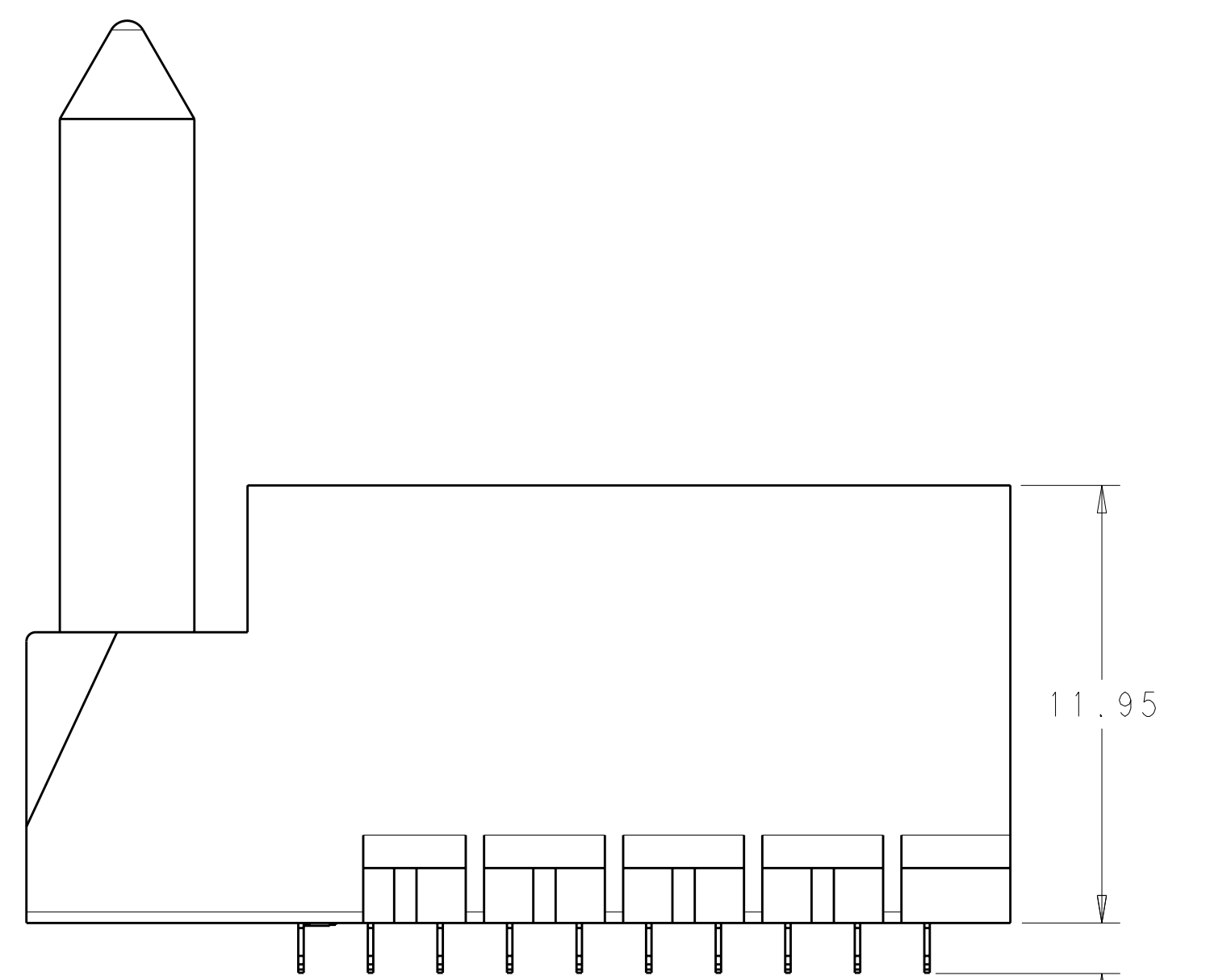
LOC	DIST	REV	DATE	BY	APPD
AD	00	C	22DEC11	KH	DY



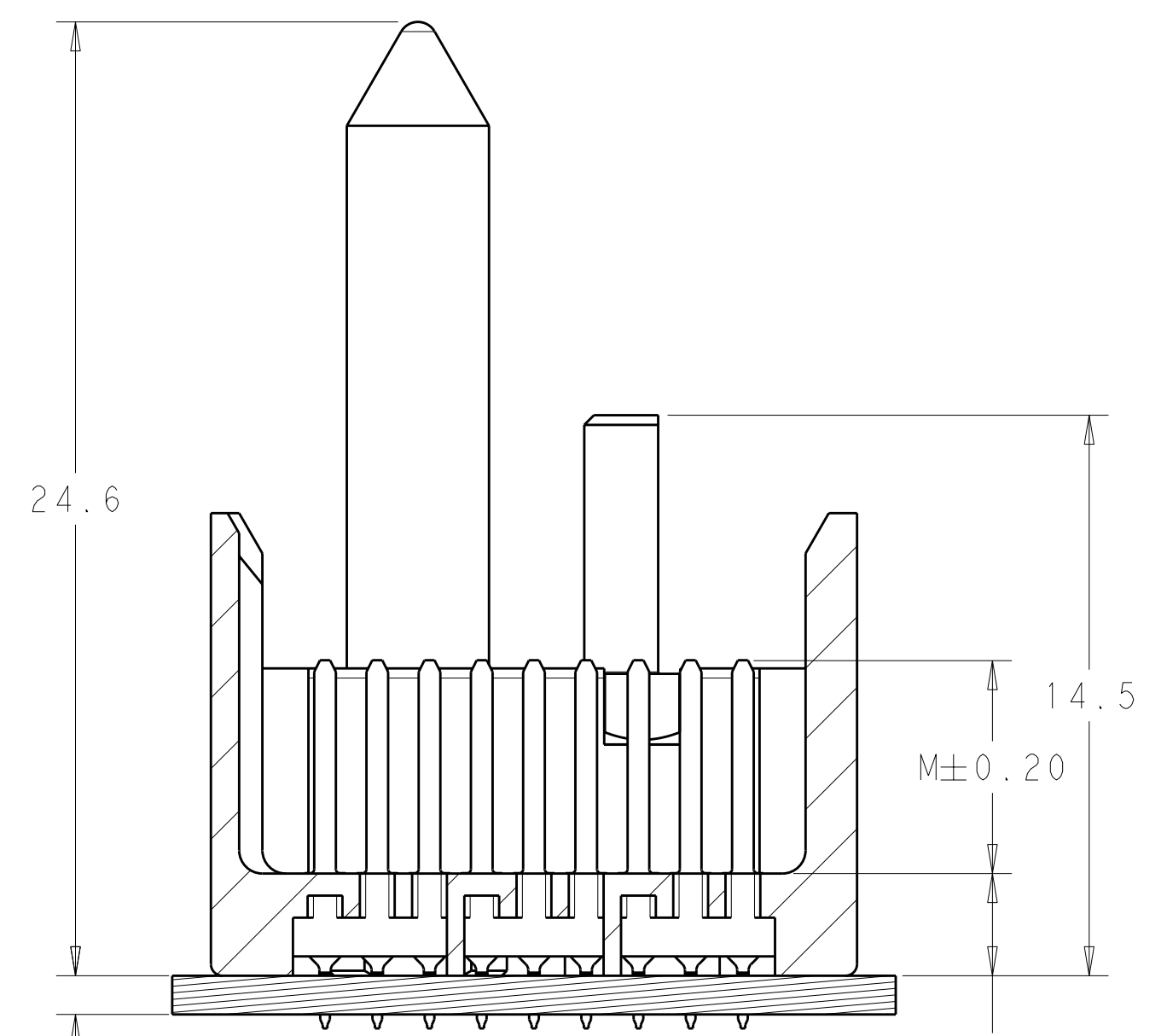
- 1 MATERIAL:
HOUSING: LCP, GLASS FILLED, UL94V-0.
TERMINALS: HIGH PERFORMANCE COPPER ALLOY.
- 2 FINISH:
30µ" MIN GOLD IN CONTACT AREA. SELECTIVE TIN ON PCB TAILS, NICKEL OVERALL.
- 3 FINISH:
30µ" MIN GOLD IN CONTACT AREA. SELECTIVE TIN-LEAD ON PCB TAILS, NICKEL OVERALL.
- 4. SCREWS PACKAGED IN END OF PACKAGING TUBE.
- 5 FOR GROUNDED GUIDE PIN USE Ø3.56±0.08 PTH, Ø3.66 DRILL, AND Ø6.5 PAD.
- 6. KEYING PIN SHOWN IN POSITION A. SEE KEYING CHART ON SHEET 2 FOR OTHER POSITIONS.



LEFT GUIDED BACKPLANE HOLE PATTERN (CONNECTOR SIDE)



1.4 TAIL LENGTH



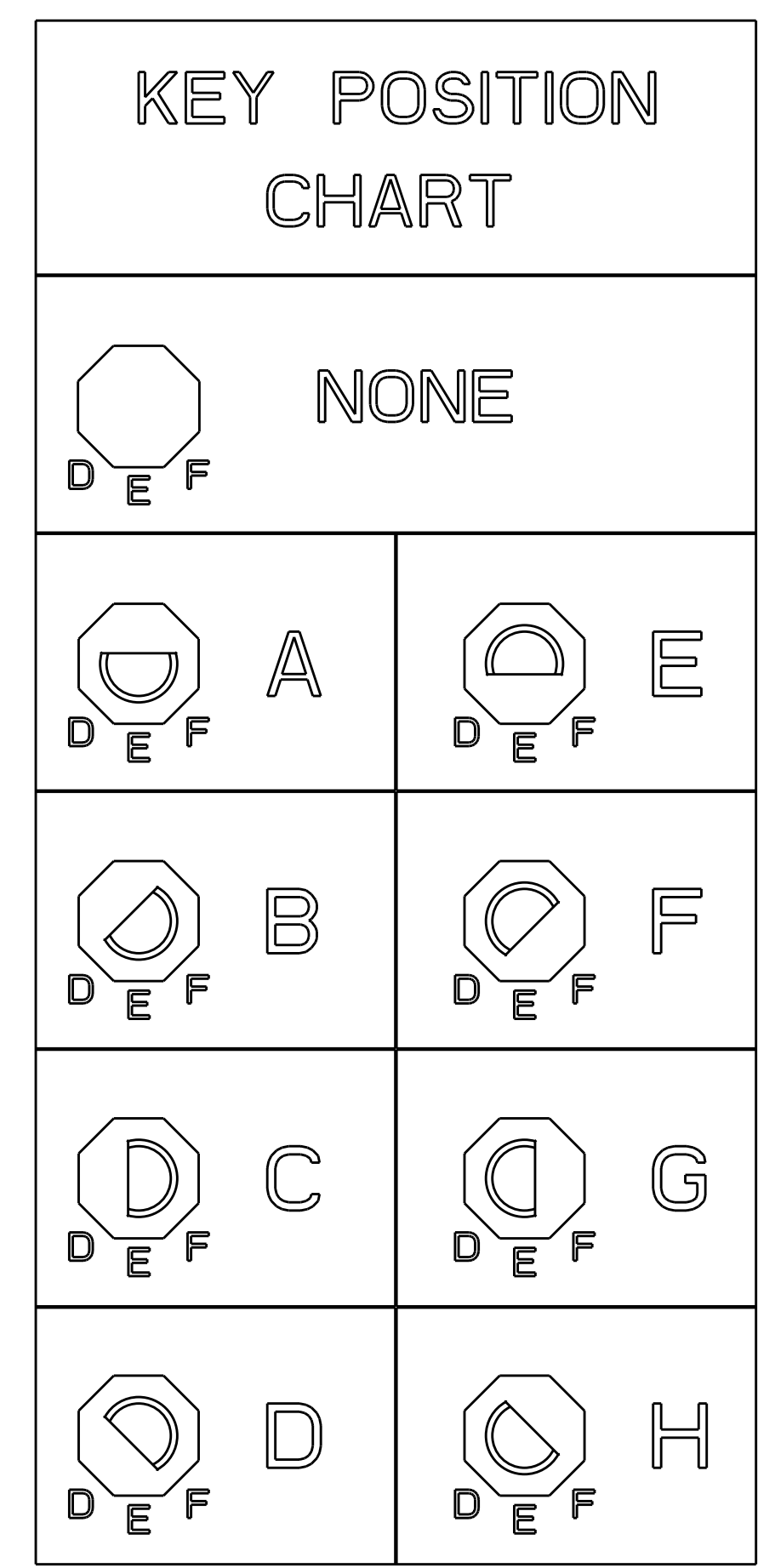
SECTION A-A

THIS DRAWING IS A CONTROLLED DOCUMENT.		DWN J. K. SHOBER 22DEC11	TE Connectivity
DIMENSIONS: mm		CHK J. EARY 22DEC11	
TOLERANCES UNLESS OTHERWISE SPECIFIED:		APVD J. EARY 22DEC11	NAME: IMPACT, 3 PAIR, 10 COLUMN, HEADER LEFT GUIDED, RIGHT END WALL SIGNAL MODULE, 0.39 PTH
9 PLC ± 1 PLC ±0.25 2 PLC ±0.13 3 PLC ± 4 PLC ± ANGLES ±		PRODUCT SPEC	
MATERIAL		APPLICATION SPEC	SIZE CAGE CODE DRAWING NO. RESTRICTED TO
FINISH SEE TABLE		WEIGHT	A100779C=200779
CUSTOMER DRAWING		SCALE 6:1	SHEET 1 OF 2 REV C

LOC		DIST		REVISIONS			
AD	00	P	LTG	DESCRIPTION	DATE	DWN	APVD
		-	-	SEE SHEET 1	-	-	-

3	H	5.5	8-2007779-6
3	H	4.9	8-2007779-5
3	H	4.5	8-2007779-4
2	H	5.5	8-2007779-3
2	H	4.9	8-2007779-2
2	H	4.5	8-2007779-1
3	G	5.5	7-2007779-6
3	G	4.9	7-2007779-5
3	G	4.5	7-2007779-4
2	G	5.5	7-2007779-3
2	G	4.9	7-2007779-2
2	G	4.5	7-2007779-1
3	F	5.5	6-2007779-6
3	F	4.9	6-2007779-5
3	F	4.5	6-2007779-4
2	F	5.5	6-2007779-3
2	F	4.9	6-2007779-2
2	F	4.5	6-2007779-1
3	E	5.5	5-2007779-6
3	E	4.9	5-2007779-5
3	E	4.5	5-2007779-4
2	E	5.5	5-2007779-3
2	E	4.9	5-2007779-2
2	E	4.5	5-2007779-1
3	D	5.5	4-2007779-6
3	D	4.9	4-2007779-5
3	D	4.5	4-2007779-4
2	D	5.5	4-2007779-3
2	D	4.9	4-2007779-2
2	D	4.5	4-2007779-1
3	C	5.5	3-2007779-6
3	C	4.9	3-2007779-5
3	C	4.5	3-2007779-4
2	C	5.5	3-2007779-3
2	C	4.9	3-2007779-2
2	C	4.5	3-2007779-1
3	B	5.5	2-2007779-6
3	B	4.9	2-2007779-5
3	B	4.5	2-2007779-4
2	B	5.5	2-2007779-3
2	B	4.9	2-2007779-2
2	B	4.5	2-2007779-1
3	A	5.5	1-2007779-6
3	A	4.9	1-2007779-5
3	A	4.5	1-2007779-4
2	A	5.5	1-2007779-3
2	A	4.9	1-2007779-2
2	A	4.5	1-2007779-1
3	-	5.5	2007779-6
3	-	4.9	2007779-5
3	-	4.5	2007779-4
2	-	5.5	2007779-3
2	-	4.9	2007779-2
2	-	4.5	2007779-1
FINISH	KEY POSITION	DIM M	PART NUMBER

REFER TO WWW.TE.COM FOR PRODUCT AVAILABILITY



THIS DRAWING IS A CONTROLLED DOCUMENT.		DWN J. K. SHOBER 22DEC11	TE TE Connectivity
DIMENSIONS: mm		CHK J. EBY 22DEC11	
TOLERANCES UNLESS OTHERWISE SPECIFIED:		APVD J. EBY 22DEC11	NAME IMPACT, 3 PAIR, 10 COLUMN, HEADER LEFT GUIDED, RIGHT END WALL SIGNAL MODULE, 0.39 PTH
9 PLC ±0.25		PRODUCT SPEC	
3 PLC ±0.13		APPLICATION SPEC	SIZE CAGE CODE DRAWING NO RESTRICTED TO
5 PLC ±		WEIGHT	A100779C=200779
4 PLC ±		CUSTOMER DRAWING	SCALE 5:1 SHEET 2 OF 2 REV C
ANGLES ±			
FINISH SEE TABLE			

X-ON Electronics

Largest Supplier of Electrical and Electronic Components

Click to view similar products for [High Speed/Modular Connectors](#) category:

Click to view products by [TE Connectivity](#) manufacturer:

Other Similar products are found below :

[650827-1](#) [74040-1346](#) [1410191-1](#) [1410368-3](#) [1410964-2](#) [1410326-3](#) [1410367-3](#) [1410971-4](#) [1467833-1](#) [2000877-1](#) [2000878-1](#) [2041314-1](#)
[2065387-1](#) [2187307-1](#) [163P](#) [1934290-1](#) [2000875-1](#) [2065917-1](#) [2102736-2](#) [FSR-40](#) [2169868-2](#) [22354-8](#) [437-5040-000](#) [5-1393565-0](#) [039-](#)
[0246-000](#) [0740618502](#) [0761601016](#) [0784461022](#) [10123159-12ELF](#) [030-2415-003/100 PK](#) [030-7380-004](#) [030-2494-001](#) [532939-1](#) [5532901-](#)
[3](#) [3-1469268-7](#) [74748-102LF](#) [10041743-101LF](#) [10066670-100002LF](#) [1-533915-1](#) [249-4515-000](#) [7-1469373-3](#) [DL2-2J/S](#) [2000713-8](#)
[2000713-7](#) [10124313-101LF](#) [3011-21](#) [757105208](#) [430305-001](#) [4395800100](#) [8140115](#)