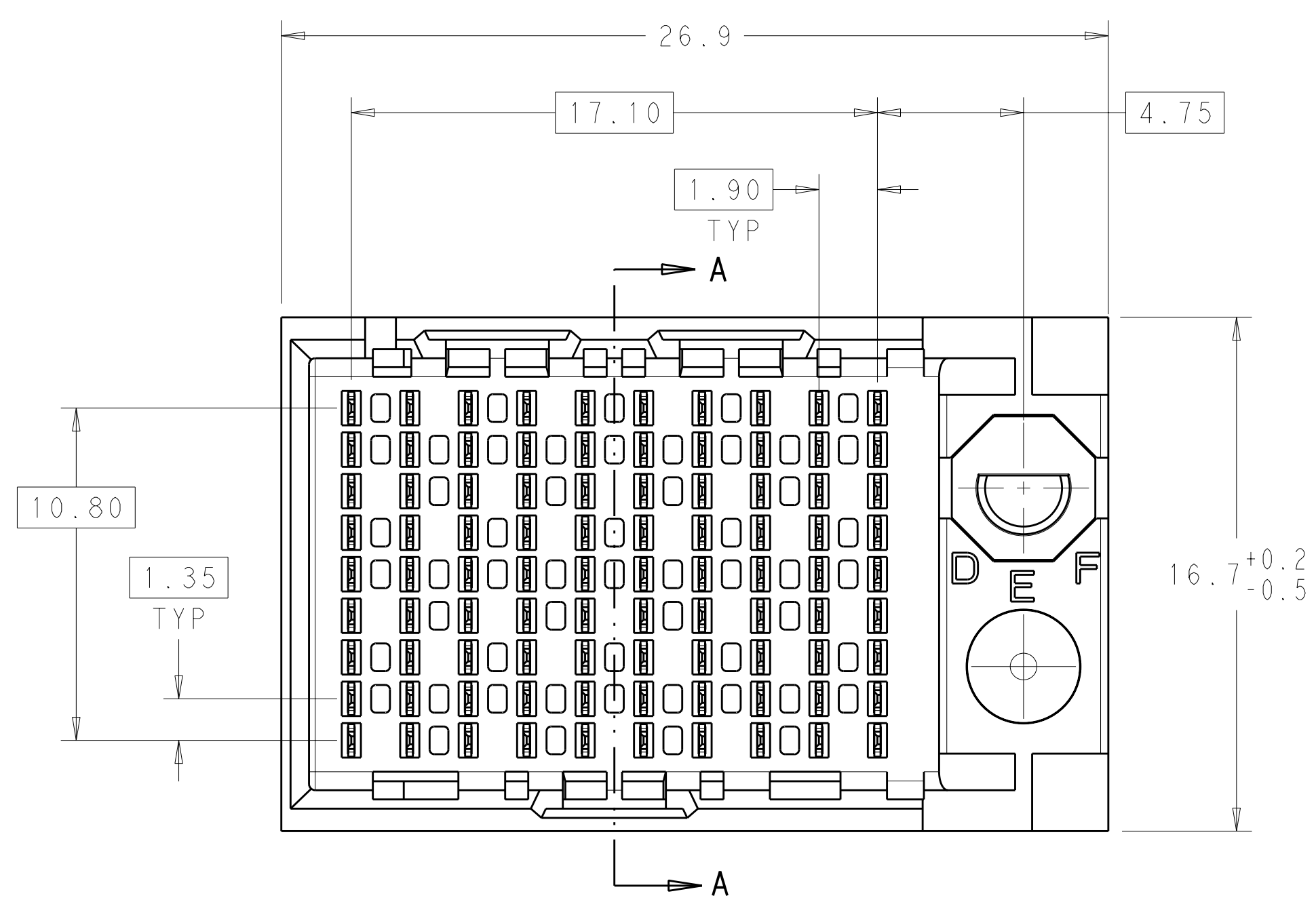
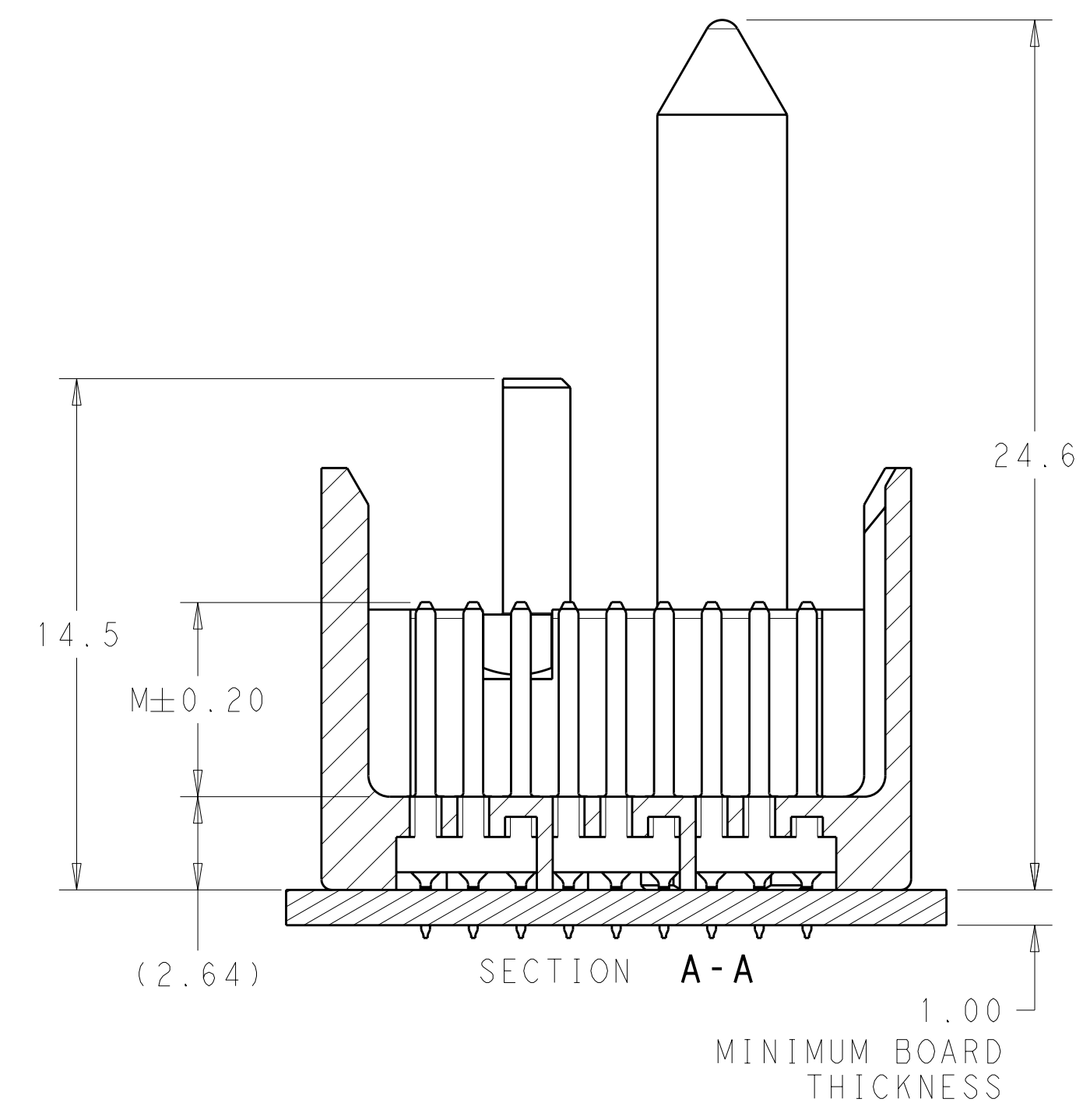
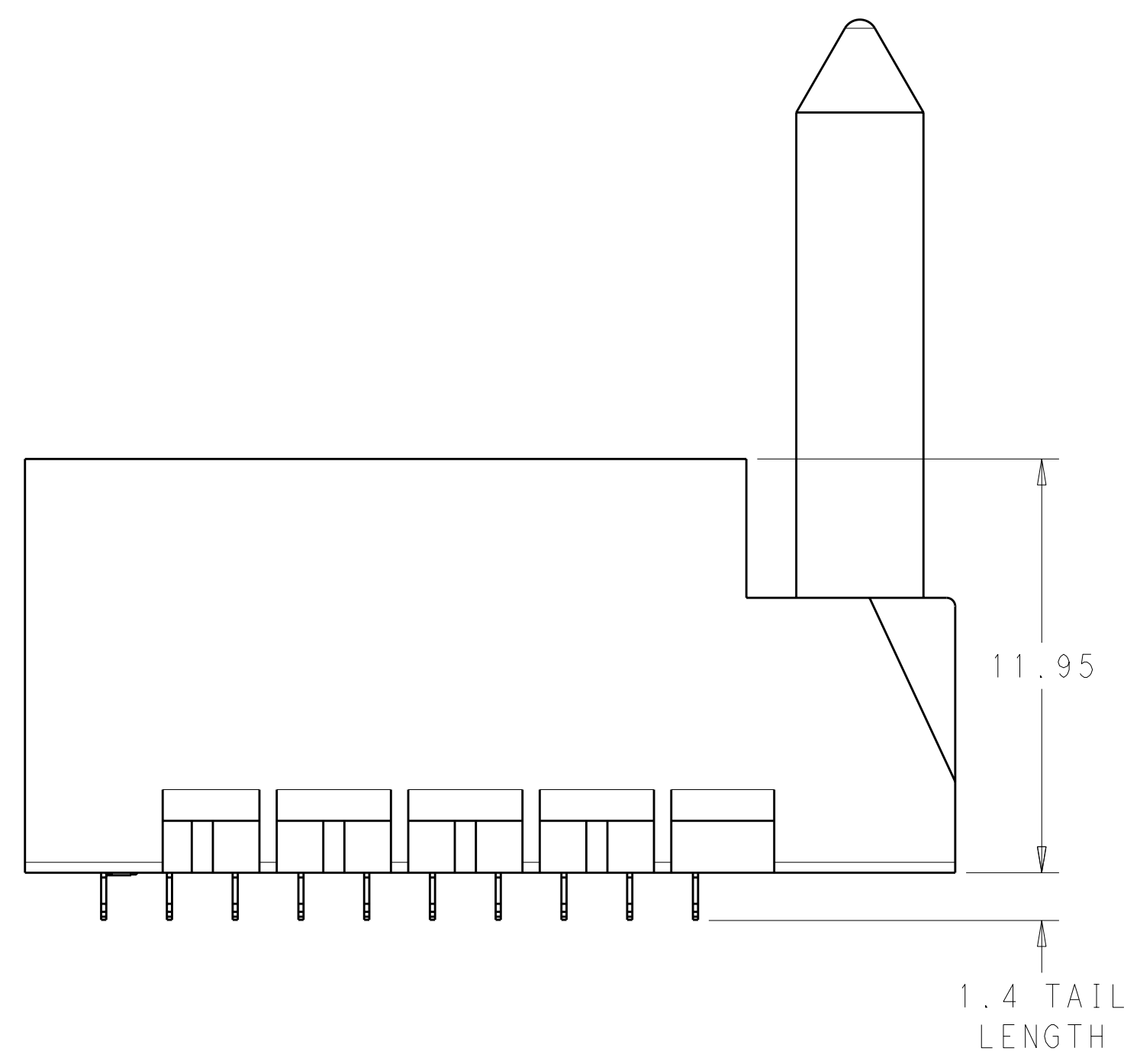
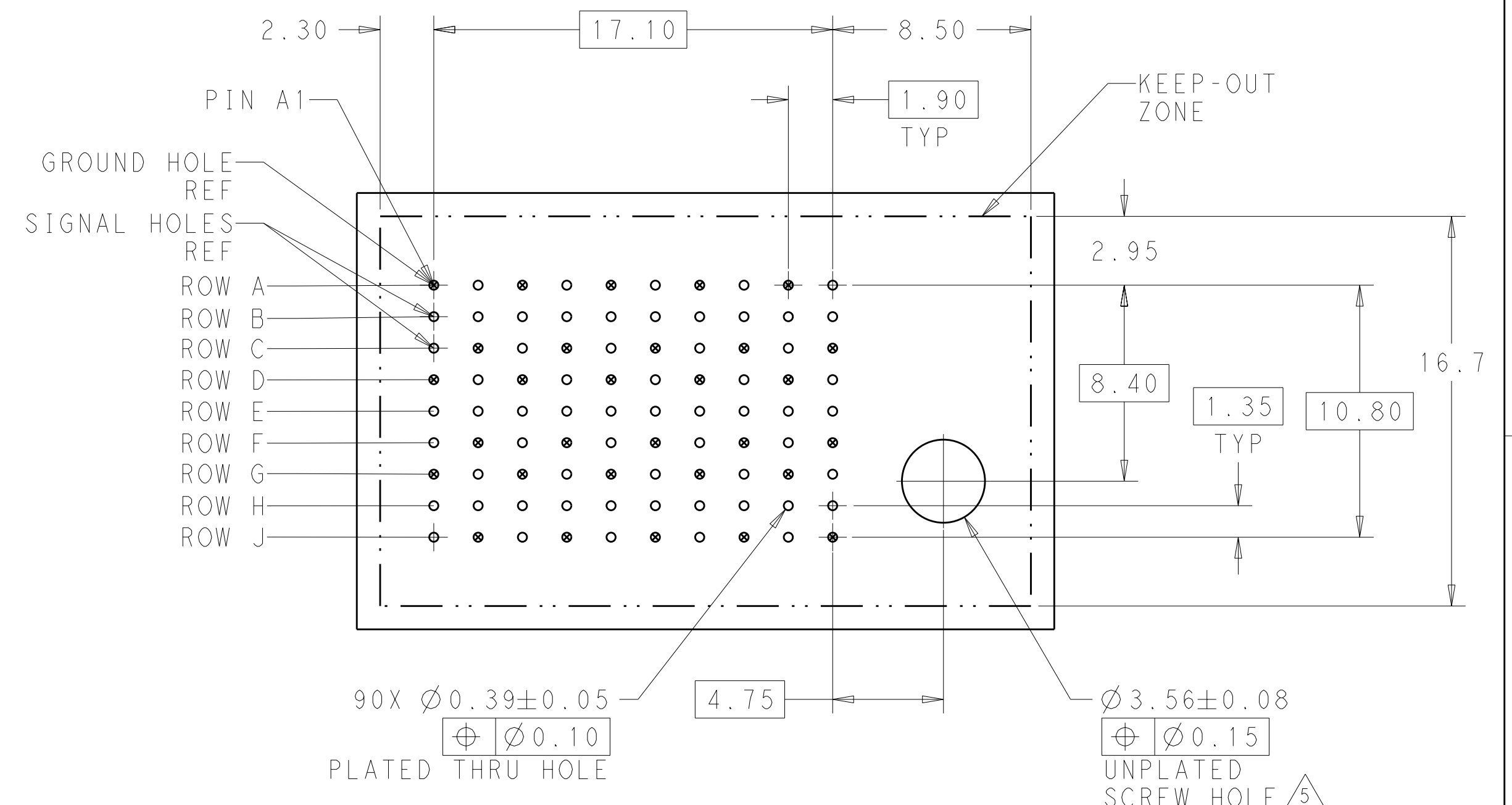
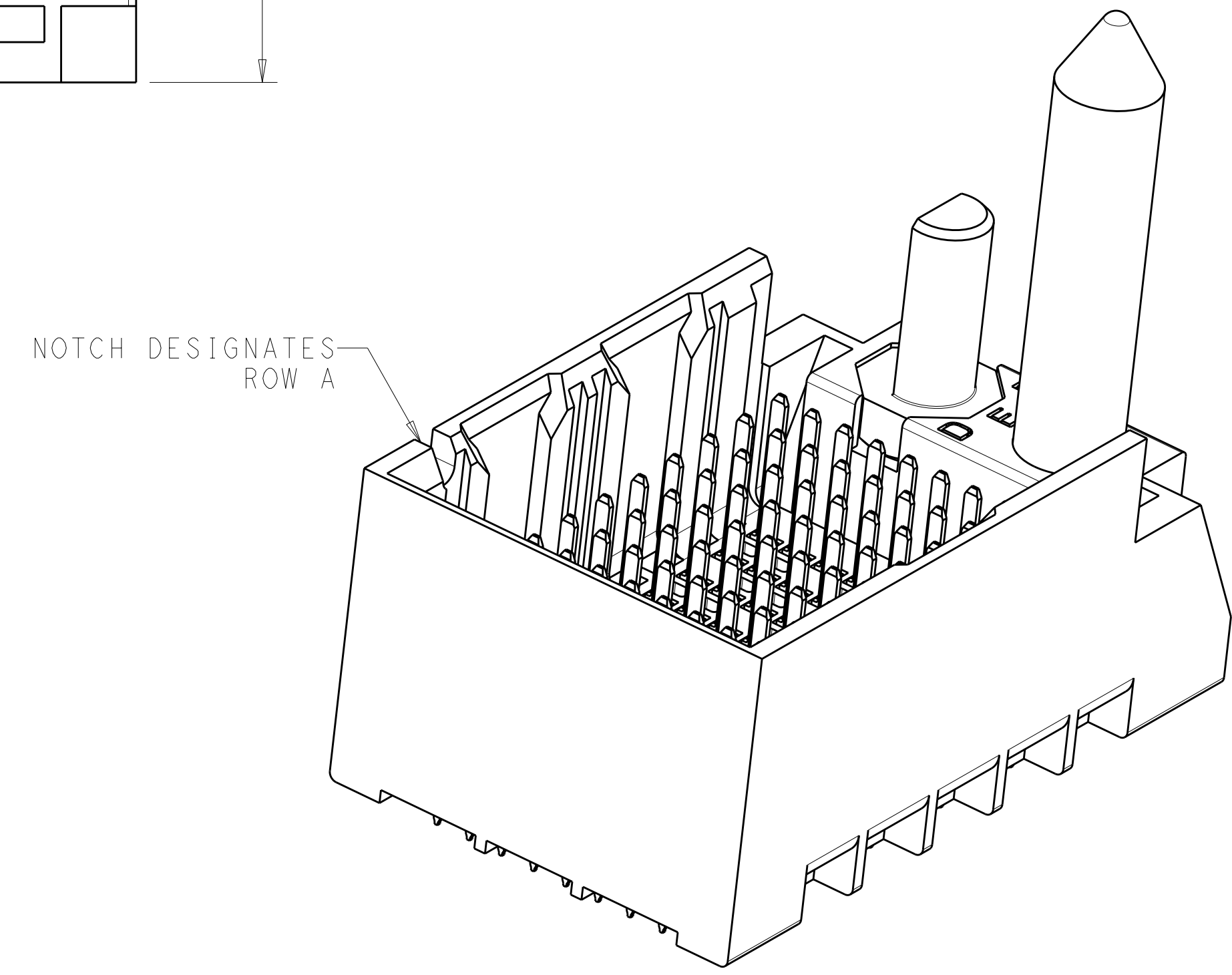


LOC	DIST	REV	DATE	BY	APPD
AD	00	C	22DEC11	KH	DY



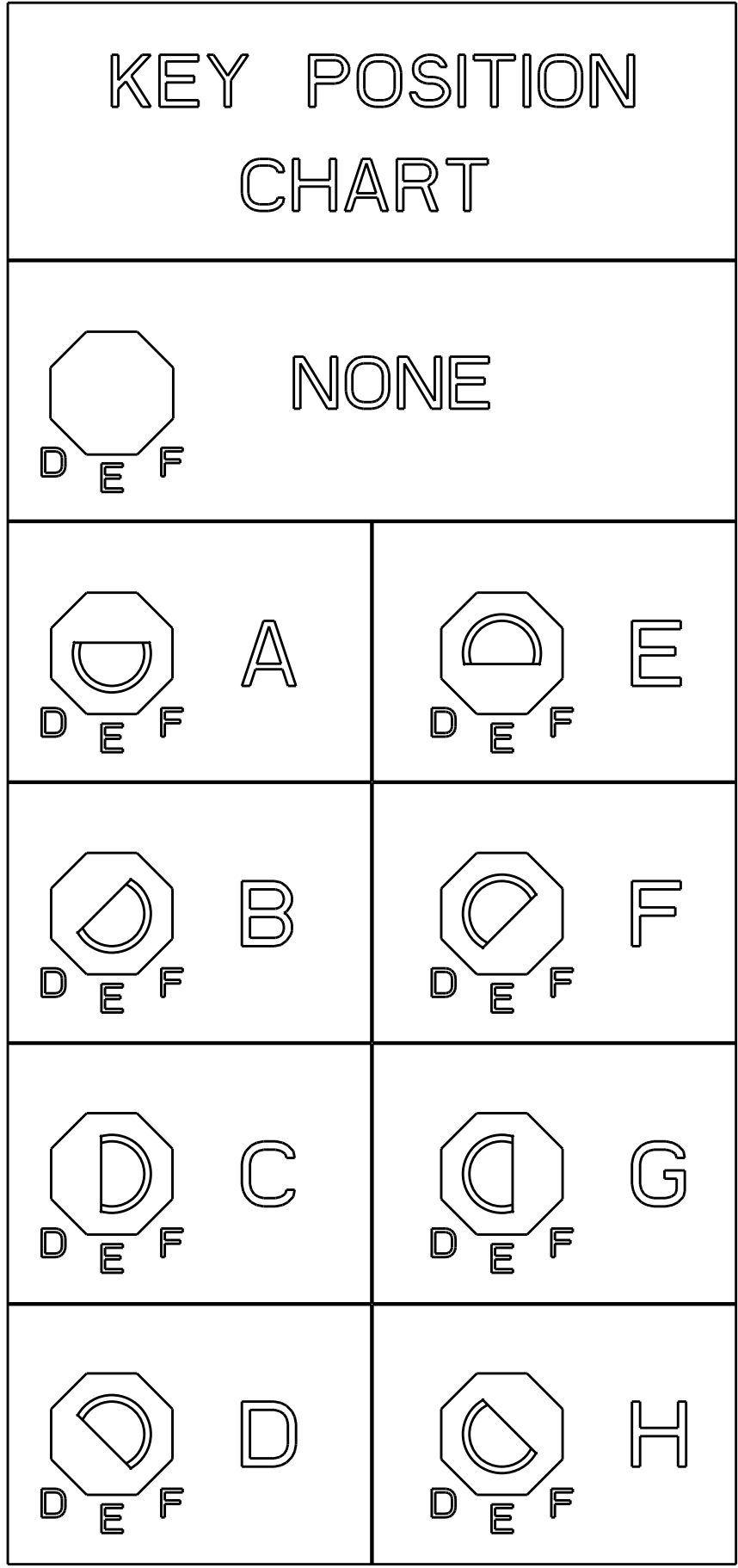
- 1 MATERIAL:
HOUSING: LCP, GLASS FILLED, UL94V-0.
TERMINALS: HIGH PERFORMANCE COPPER ALLOY.
- 2 FINISH:
30µ" MIN GOLD IN CONTACT AREA. SELECTIVE TIN
ON PCB TAILS, NICKEL OVERALL.
- 3 FINISH:
30µ" MIN GOLD IN CONTACT AREA. SELECTIVE TIN-LEAD
ON PCB TAILS, NICKEL OVERALL.
- 4. SCREWS PACKAGED IN END OF PACKAGING TUBE.
- 5 FOR GROUNDED GUIDE PIN USE Ø3.56±0.08 PTH,
Ø3.66 DRILL, AND Ø6.5 PAD.
- 6. KEYING PIN SHOWN IN POSITION A, SEE KEYING CHART
ON SHEET 2 FOR OTHER POSITIONS.



THIS DRAWING IS A CONTROLLED DOCUMENT.		DWN J. K. SHOBER 18JAN2011	TE Connectivity
DIMENSIONS: mm		CHK J. EARY 18JAN2011	
TOLERANCES UNLESS OTHERWISE SPECIFIED:		APVD J. EARY 18JAN2011	NAME IMPACT, 3 PAIR, 10 COLUMN, HEADER
Ø	9 PLC ±0.25	PRODUCT SPEC	RIGHT GUIDED, LEFT END WALL
PLC	3 PLC ±0.13	APPLICATION SPEC	SIGNAL MODULE, 0.39 PTH
PLC	5 PLC ±	SIZE CAGE CODE DRAWING NO	A100779C=2007783
PLC	4 PLC ±	WEIGHT	RESTRICTED TO
ANGLES	±	CUSTOMER DRAWING	SCALE 6:1 SHEET 1 OF 2 REV C
FINISH	SEE TABLE		

LOC		DIST		REVISIONS			
AD	00	P	LTG	DESCRIPTION	DATE	DWN	APVD
				SEE SHEET 1			

3	H	5.5	8-2007783-6
3	H	4.9	8-2007783-5
3	H	4.5	8-2007783-4
2	H	5.5	8-2007783-3
2	H	4.9	8-2007783-2
2	H	4.5	8-2007783-1
3	G	5.5	7-2007783-6
3	G	4.9	7-2007783-5
3	G	4.5	7-2007783-4
2	G	5.5	7-2007783-3
2	G	4.9	7-2007783-2
2	G	4.5	7-2007783-1
3	F	5.5	6-2007783-6
3	F	4.9	6-2007783-5
3	F	4.5	6-2007783-4
2	F	5.5	6-2007783-3
2	F	4.9	6-2007783-2
2	F	4.5	6-2007783-1
3	E	5.5	5-2007783-6
3	E	4.9	5-2007783-5
3	E	4.5	5-2007783-4
2	E	5.5	5-2007783-3
2	E	4.9	5-2007783-2
2	E	4.5	5-2007783-1
3	D	5.5	4-2007783-6
3	D	4.9	4-2007783-5
3	D	4.5	4-2007783-4
2	D	5.5	4-2007783-3
2	D	4.9	4-2007783-2
2	D	4.5	4-2007783-1
3	C	5.5	3-2007783-6
3	C	4.9	3-2007783-5
3	C	4.5	3-2007783-4
2	C	5.5	3-2007783-3
2	C	4.9	3-2007783-2
2	C	4.5	3-2007783-1
3	B	5.5	2-2007783-6
3	B	4.9	2-2007783-5
3	B	4.5	2-2007783-4
2	B	5.5	2-2007783-3
2	B	4.9	2-2007783-2
2	B	4.5	2-2007783-1
3	A	5.5	1-2007783-6
3	A	4.9	1-2007783-5
3	A	4.5	1-2007783-4
2	A	5.5	1-2007783-3
2	A	4.9	1-2007783-2
2	A	4.5	1-2007783-1
3	-	5.5	2007783-6
3	-	4.9	2007783-5
3	-	4.5	2007783-4
2	-	5.5	2007783-3
2	-	4.9	2007783-2
2	-	4.5	2007783-1
FINISH	KEY POSITION	DIM M	PART NUMBER



REFER TO WWW.TE.COM
FOR PRODUCT AVAILABILITY

THIS DRAWING IS A CONTROLLED DOCUMENT.		DWN J. K. SHOBER 18JAN2011	TE TE Connectivity
DIMENSIONS: mm		CHK J. EARY 18JAN2011	
		APVD J. EARY 18JAN2011	
TOLERANCES UNLESS OTHERWISE SPECIFIED:		PRODUCT SPEC	NAME IMPACT, 3 PAIR, 10 COLUMN, HEADER RIGHT GUIDED, LEFT END WALL SIGNAL MODULE, 0.39 PTH
9 PLC ±		APPLICATION SPEC	SIZE CAGE CODE DRAWING NO RESTRICTED TO
3 PLC ±0.25		WEIGHT	A100779C=2007783
5 PLC ±0.13		CUSTOMER DRAWING	SCALE 5:1 SHEET 2 OF 2 REV C
4 PLC ±			
ANGLES ±			
FINISH SEE TABLE			

X-ON Electronics

Largest Supplier of Electrical and Electronic Components

Click to view similar products for [High Speed/Modular Connectors](#) category:

Click to view products by [TE Connectivity](#) manufacturer:

Other Similar products are found below :

[650827-1](#) [74040-1346](#) [1410191-1](#) [1410368-3](#) [1410964-2](#) [1410326-3](#) [1410367-3](#) [1410971-4](#) [1467833-1](#) [2000877-1](#) [2000878-1](#) [2041314-1](#)
[2065387-1](#) [2187307-1](#) [163P](#) [1934290-1](#) [2000875-1](#) [2065917-1](#) [2102736-2](#) [FSR-40](#) [2169868-2](#) [22354-8](#) [437-5040-000](#) [5-1393565-0](#) [039-](#)
[0246-000](#) [0761601016](#) [0784461022](#) [10123159-12ELF](#) [030-2415-003/100 PK](#) [030-7380-004](#) [030-2494-001](#) [532939-1](#) [5532901-3](#) [3-1469268-](#)
[7](#) [74748-102LF](#) [10041743-101LF](#) [10066670-100002LF](#) [1-533915-1](#) [249-4515-000](#) [7-1469373-3](#) [DL2-2J/S](#) [2000713-8](#) [2000713-7](#)
[10124313-101LF](#) [3011-21](#) [757105208](#) [430305-001](#) [4395800100](#) [8140115](#) [1934937-1](#)