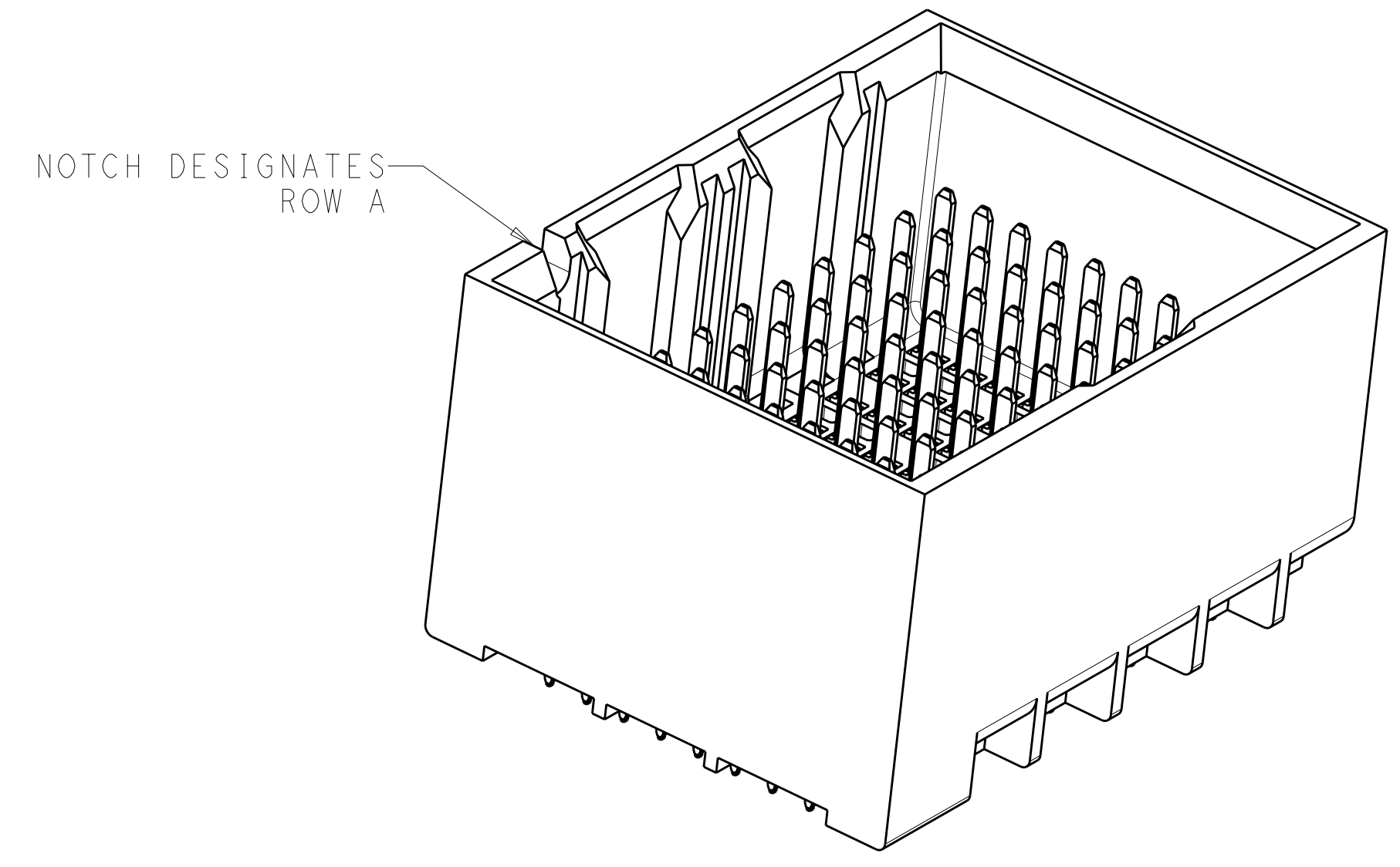
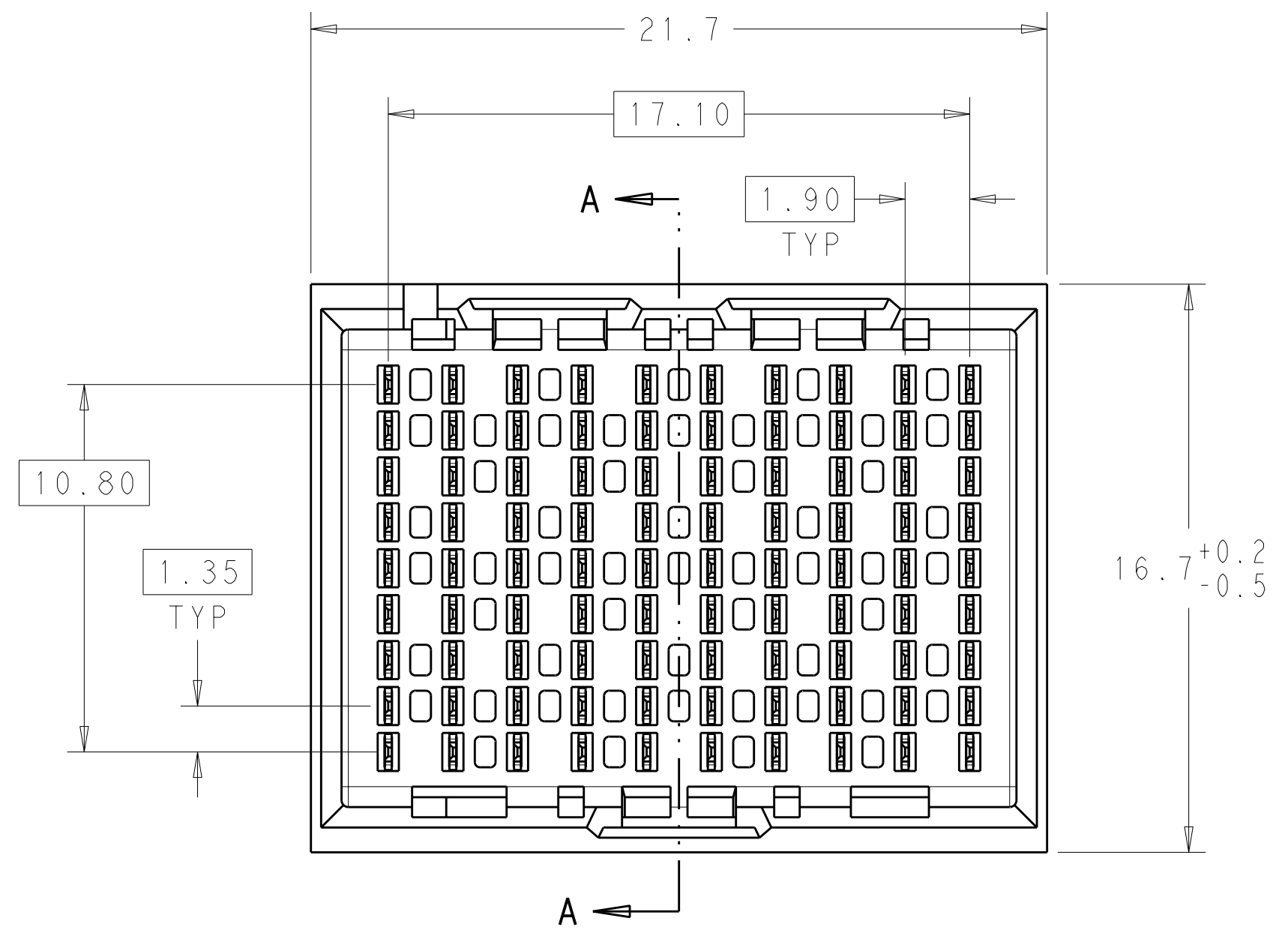
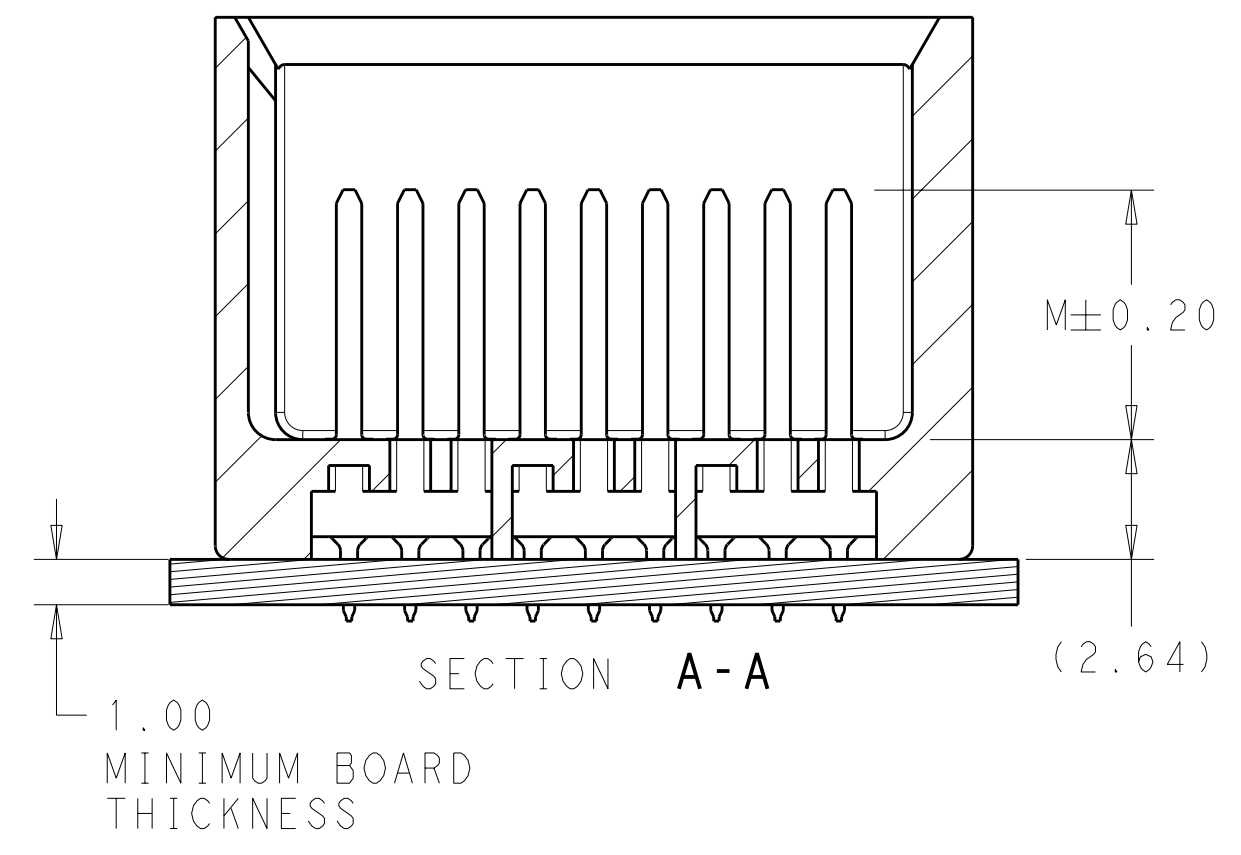
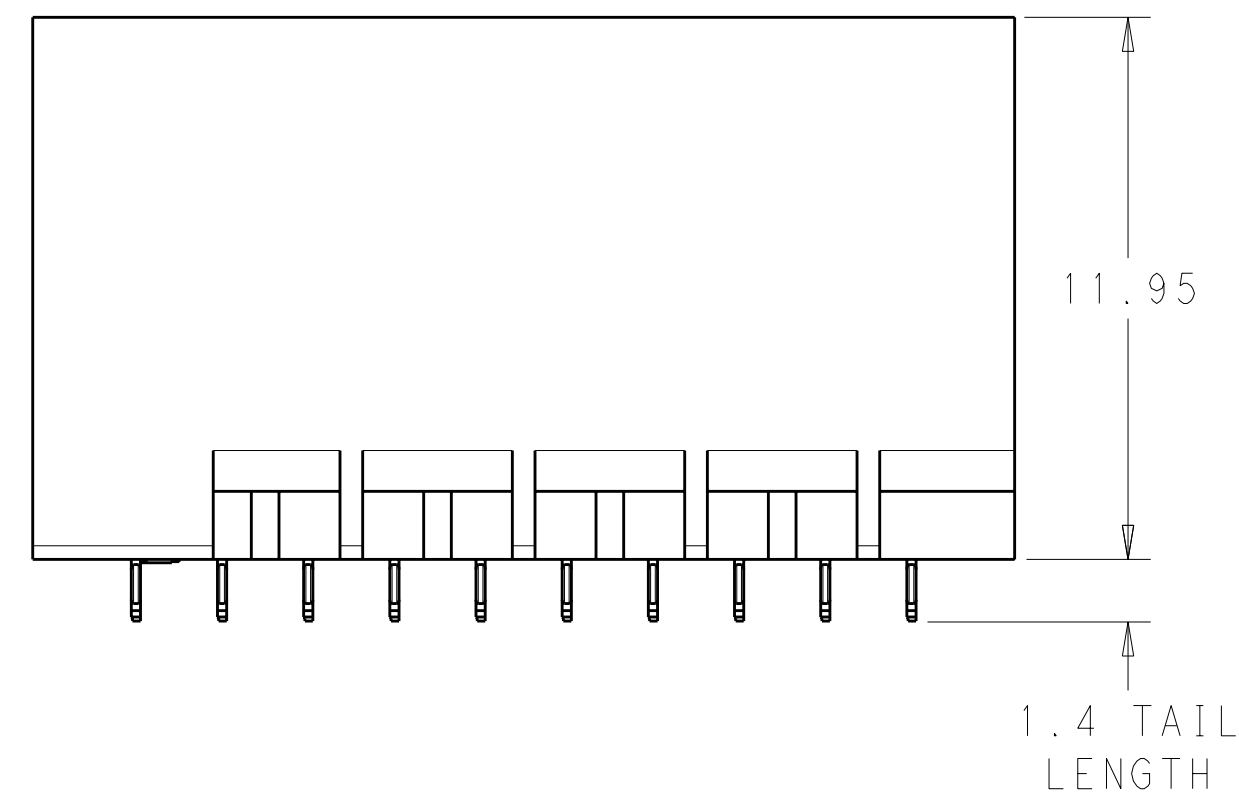
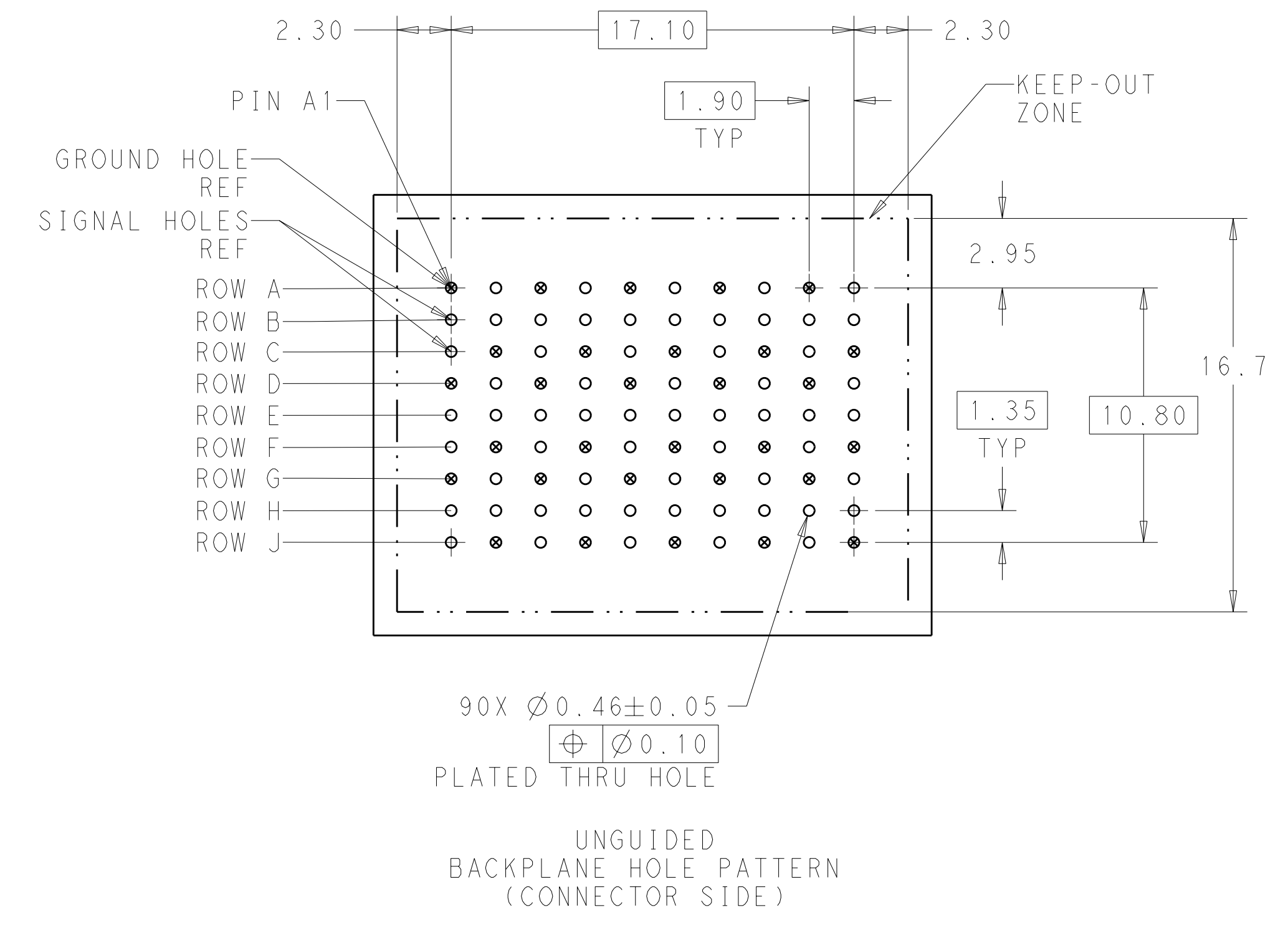


LOC		DIST		REVISIONS			
AD	00	P	LTR	DESCRIPTION	DATE	DWN	APVD
		C		REVISED PER ECO-11-025276	22DEC11	KH	DY



- 1 MATERIAL:
HOUSING: LCP, GLASS FILLED, UL94V-0.
TERMINALS: HIGH PERFORMANCE COPPER ALLOY.
- 2 FINISH:
30µ" MIN GOLD IN CONTACT AREA. SELECTIVE TIN
ON PCB TAILS, NICKEL OVERALL.
- 3 FINISH:
30µ" MIN GOLD IN CONTACT AREA. SELECTIVE TIN-LEAD
ON PCB TAILS, NICKEL OVERALL.




THIS DRAWING IS A CONTROLLED DOCUMENT.		DWN	J. K. SHOBER	22DEC11	TE Connectivity NAME: IMPACT, 3 PAIR, 10 COLUMN, HEADER UNGUIDED, DOUBLE END WALL SIGNAL MODULE, 0.46 PTH
DIMENSIONS:		CHK	J. EARY	22DEC11	
mm		APVD	J. EARY	22DEC11	
0 PLC ± 1 PLC ±0.25 2 PLC ±0.13 3 PLC ± 4 PLC ± ANGLES ± FINISH ±		PRODUCT SPEC			
MATERIAL		APPLICATION SPEC			SIZE
		WEIGHT			CAGE CODE
		CUSTOMER DRAWING			DRAWING NO
					A100779C=2007786
					RESTRICTED TO
					SCALE
					6:1
					SHEET
					1
					OF
					2
					REV
					C

THIS DRAWING IS UNPUBLISHED. RELEASED FOR PUBLICATION 2011
 © COPYRIGHT 2011 ALL RIGHTS RESERVED.

LOC	DIST	REVISIONS				
AD	00	P	LTG	DATE	DWN	APVD
		-	-	SEE SHEET 1	-	-

\triangle_3	5.5	2007786-6
\triangle_3	4.9	2007786-5
\triangle_3	4.5	2007786-4
\triangle_2	5.5	2007786-3
\triangle_2	4.9	2007786-2
\triangle_2	4.5	2007786-1
FINISH	DIM M	PART NUMBER

REFER TO WWW.TE.COM
FOR PRODUCT AVAILABILITY

THIS DRAWING IS A CONTROLLED DOCUMENT.		DWN J. K. SHOBER	22DECT1	 TE Connectivity
DIMENSIONS: mm		CHK J. EABY	22DECT1	
TOLERANCES UNLESS OTHERWISE SPECIFIED: 9 PLC ± 7 PLC ±0.25 5 PLC ±0.13 4 PLC ± ANGLES ±		APVD J. EABY	22DECT1	NAME IMPACT, 3 PAIR, 10 COLUMN, HEADER UNGUIDED, DOUBLE END WALL SIGNAL MODULE, 0.46 PTH
MATERIAL -	FINISH -	PRODUCT SPEC -		APPLICATION SPEC -
CUSTOMER DRAWING		WEIGHT -	SIZE A1100779	CAGE CODE C=2007786
SCALE 5:1		SHEET 2 OF 2		REV C

X-ON Electronics

Largest Supplier of Electrical and Electronic Components

Click to view similar products for [High Speed/Modular Connectors](#) category:

Click to view products by [TE Connectivity](#) manufacturer:

Other Similar products are found below :

[650827-1](#) [74040-1346](#) [1410191-1](#) [1410368-3](#) [1410964-2](#) [1410326-3](#) [1410367-3](#) [1410971-4](#) [1467833-1](#) [2000877-1](#) [2000878-1](#) [2041314-1](#)
[2065387-1](#) [2187307-1](#) [163P](#) [1934290-1](#) [2000875-1](#) [2065917-1](#) [2102736-2](#) [FSR-40](#) [2169868-2](#) [22354-8](#) [437-5040-000](#) [5-1393565-0](#) [039-](#)
[0246-000](#) [0761601016](#) [0784461022](#) [10123159-12ELF](#) [030-2415-003/100 PK](#) [030-7380-004](#) [030-2494-001](#) [532939-1](#) [5532901-3](#) [3-1469268-](#)
[7](#) [74748-102LF](#) [73670-0247](#) [10041743-101LF](#) [10066670-100002LF](#) [1-533915-1](#) [249-4515-000](#) [7-1469373-3](#) [DL2-2J/S](#) [2000713-8](#)
[2000713-7](#) [10124313-101LF](#) [3011-21](#) [757105208](#) [EBTF-4-10-2.0-S-RA-1](#) [430305-001](#) [4395800100](#)