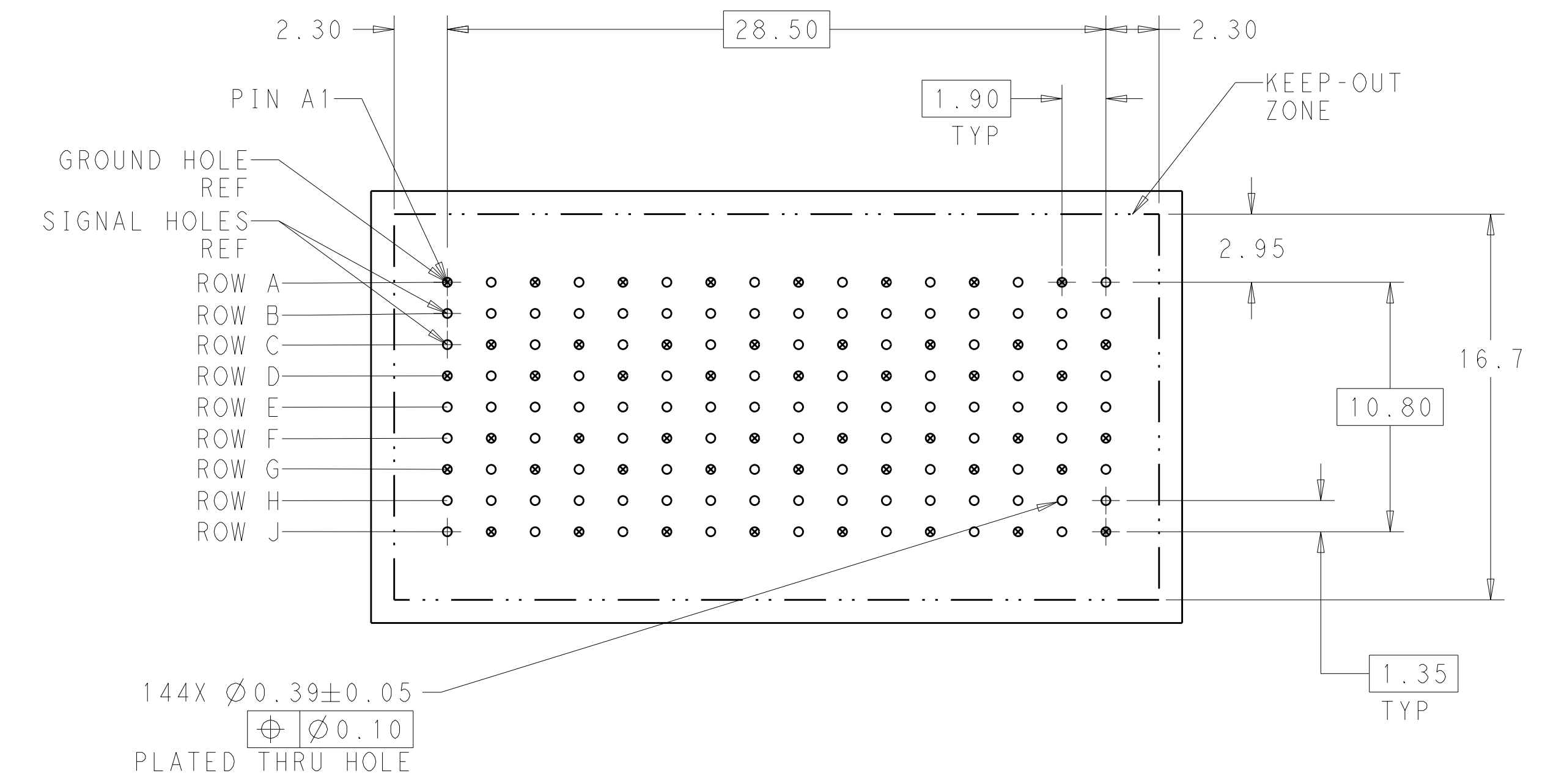
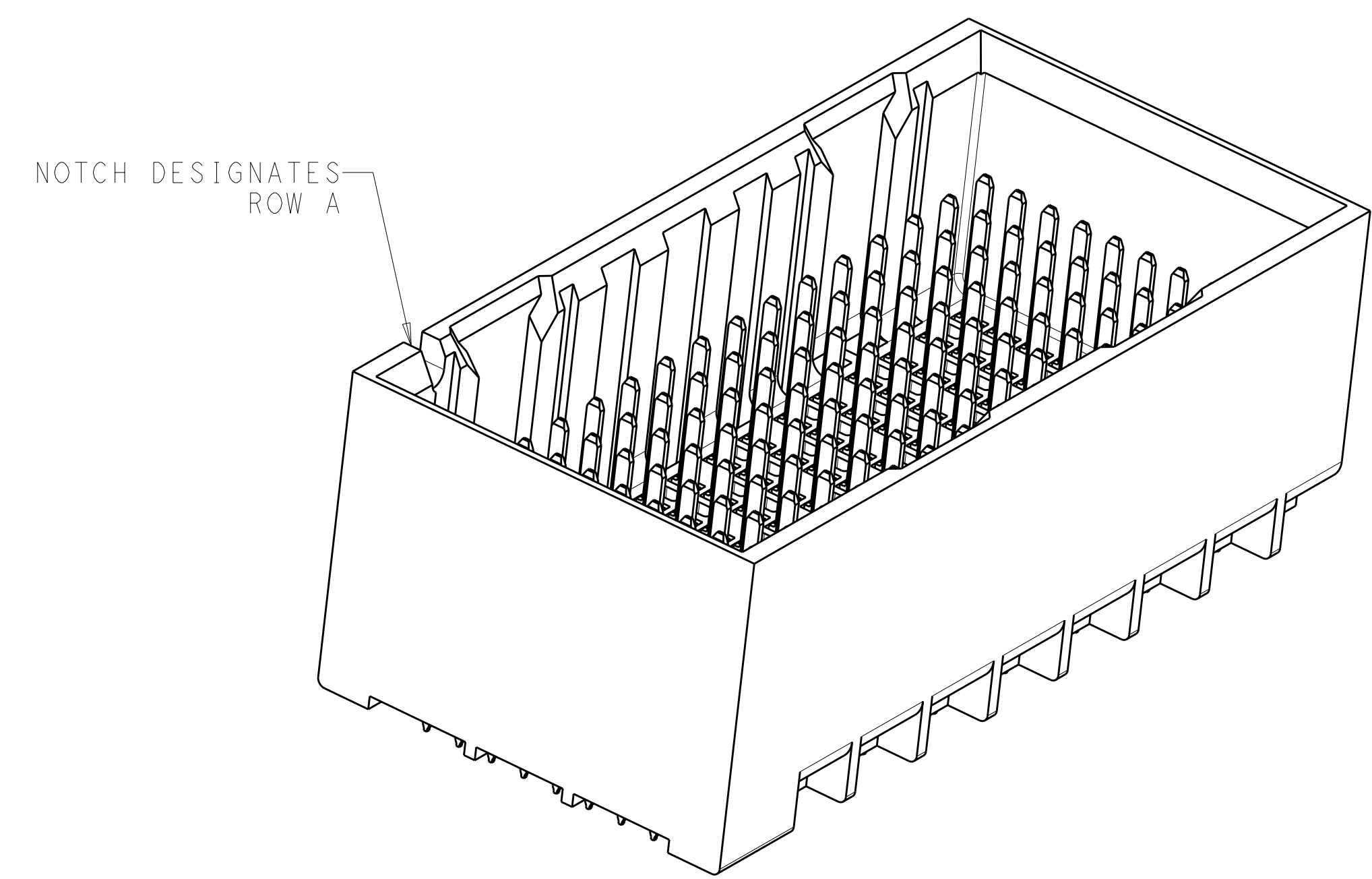
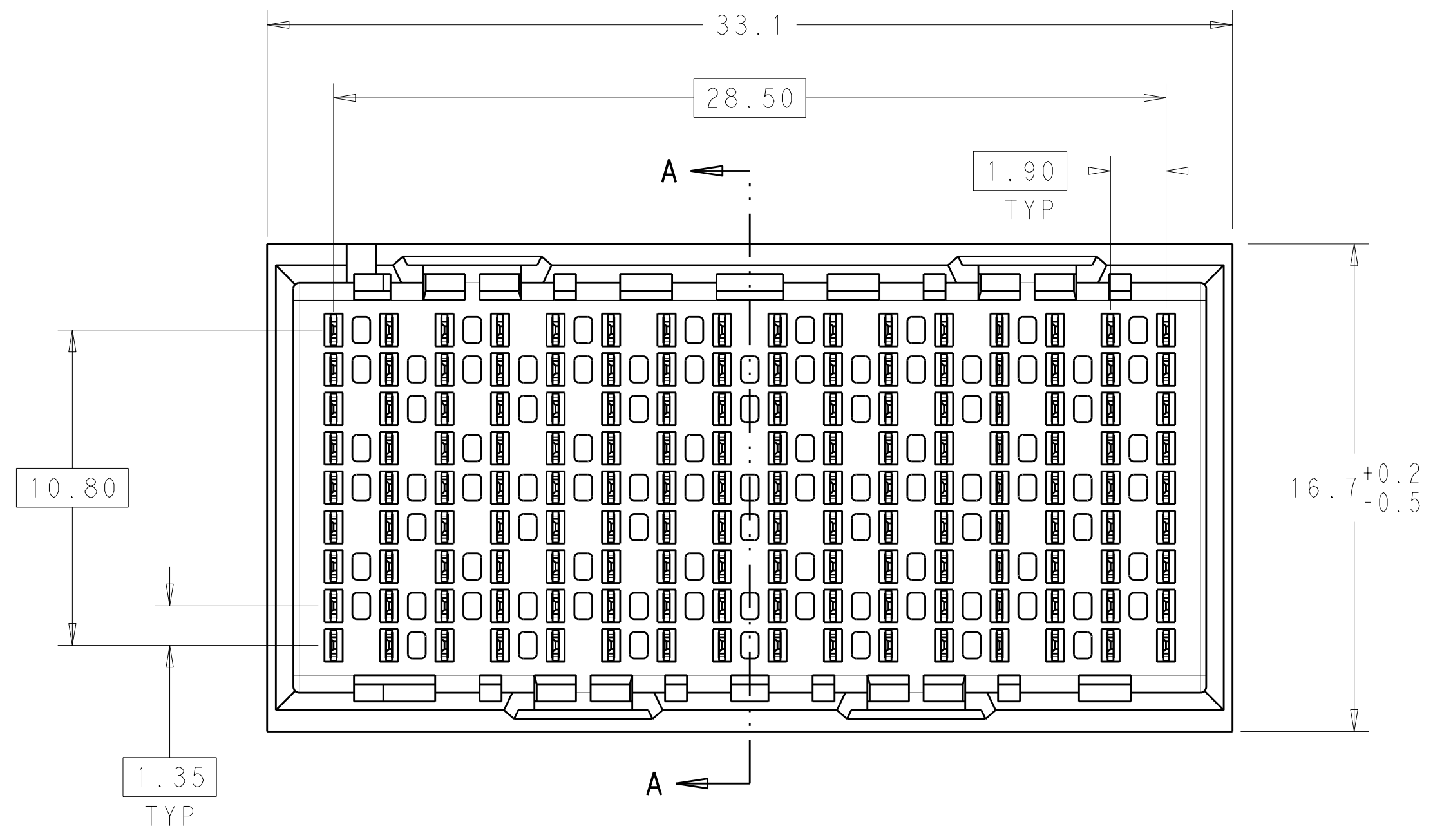
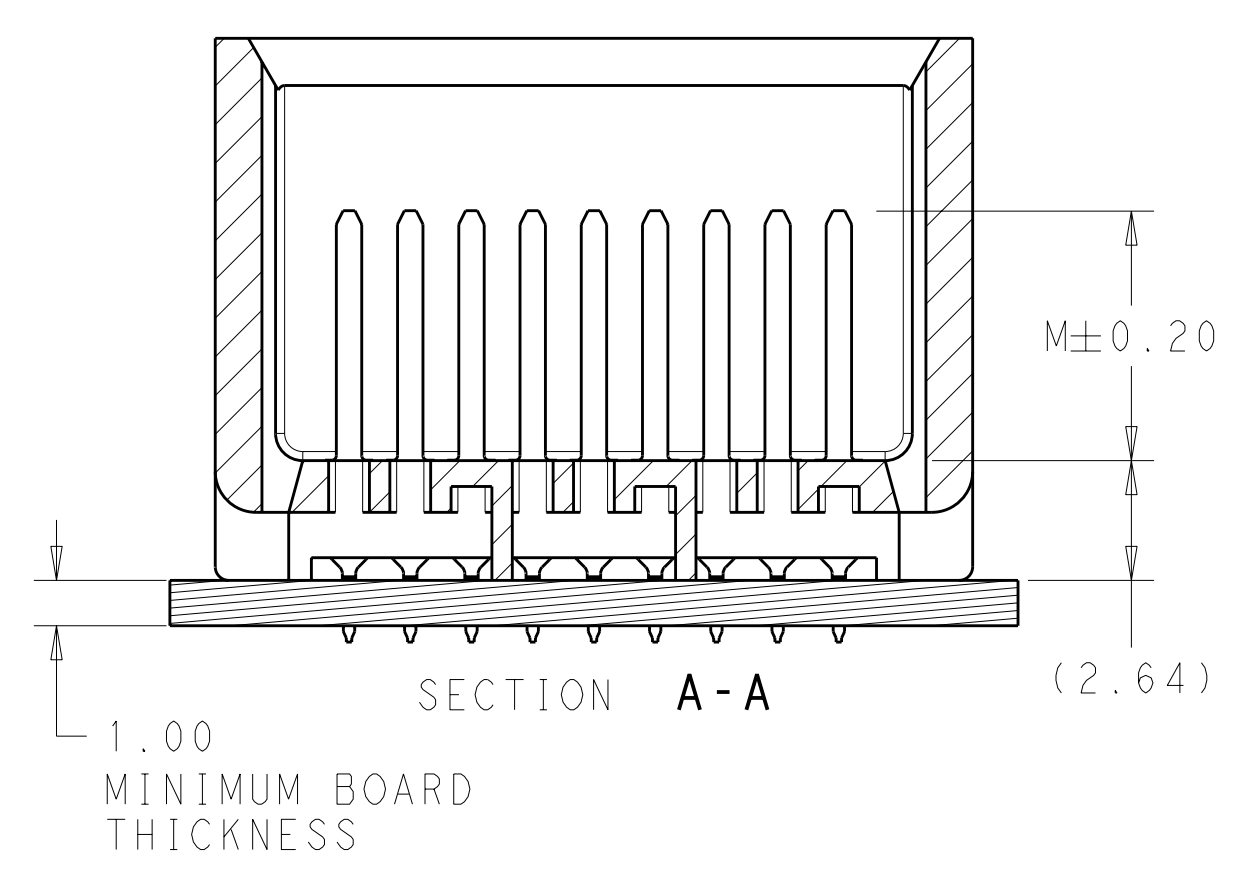
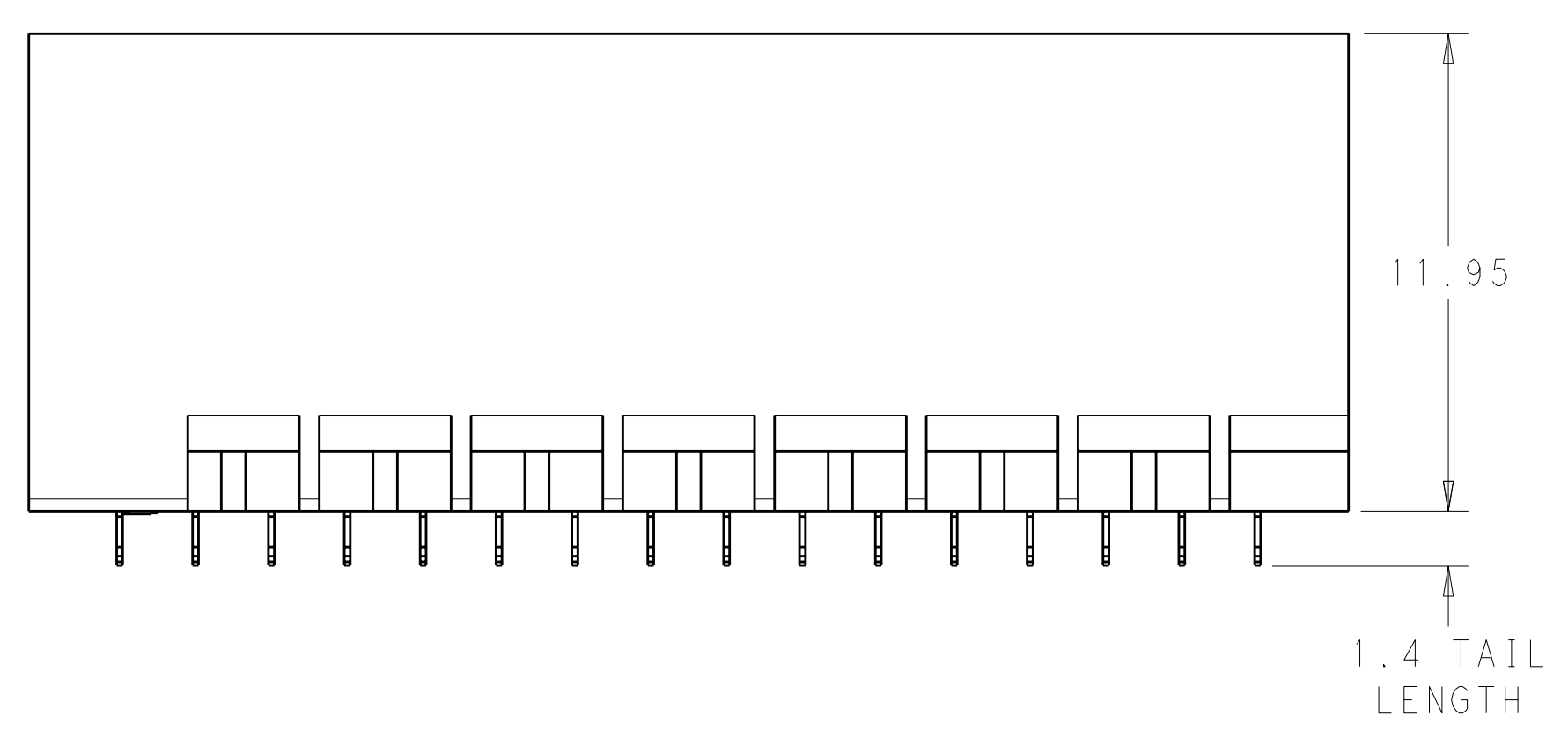


| LOC |    | DIST |     | REVISIONS                 |         |     |      |
|-----|----|------|-----|---------------------------|---------|-----|------|
| AD  | 00 | P    | LTB | DESCRIPTION               | DATE    | DWN | APVD |
|     |    | C    |     | REVISED PER ECO-11-025276 | 26DEC11 | KH  | DY   |



- 1 MATERIAL:  
HOUSING: LCP, GLASS FILLED, UL94V-0.  
TERMINALS: HIGH PERFORMANCE COPPER ALLOY.
- 2 FINISH:  
30µ" MIN GOLD IN CONTACT AREA. SELECTIVE TIN  
ON PCB TAILS, NICKEL OVERALL.
- 3 FINISH:  
30µ" MIN GOLD IN CONTACT AREA. SELECTIVE TIN-LEAD  
ON PCB TAILS, NICKEL OVERALL.



|  |  |                           |  |
|--|--|---------------------------|--|
| THIS DRAWING IS A CONTROLLED DOCUMENT. |  | DWN J. K. SHOBER 26DEC11  | TE Connectivity                        |
| DIMENSIONS: mm                         |  | CHK J. EBY 26DEC11        |  |
| TOLERANCES UNLESS OTHERWISE SPECIFIED: |  | APVD J. EBY 26DEC11       | NAME IMPACT, 3 PAIR, 16 COLUMN, HEADER |
| 0 PLC ±                                |  | PRODUCT SPEC              | UNGUIDED, DUAL END WALL                |
| 1 PLC ±0.25                            |  | APPLICATION SPEC          | SIGNAL MODULE, 0.39 PTH                |
| 2 PLC ±0.13                            |  | SIZE CAGE CODE DRAWING NO | A100779C=2007806                       |
| 3 PLC ±                                |  | WEIGHT                    | RESTRICTED TO                          |
| 4 PLC ±                                |  | CUSTOMER DRAWING          | SCALE 6:1 SHEET 1 OF 2 REV C           |
| ANGLES ±                               |  |                           |  |
| FINISH SEE TABLE                       |  |                           |  |

THIS DRAWING IS UNPUBLISHED. RELEASED FOR PUBLICATION 20  
 © COPYRIGHT 20 . . . ALL RIGHTS RESERVED.

| LOC | DIST | REVISIONS |     |             |     |      |
|-----|------|-----------|-----|-------------|-----|------|
| AD  | 00   | P         | LTB | DATE        | DWN | APVD |
|     |      | -         | -   | SEE SHEET 1 | -   | -    |
|     |      |           |     |             |     |      |
|     |      |           |     |             |     |      |

|        |       |             |
|--------|-------|-------------|
|        | 5.5   | 2007806-6   |
|        | 4.9   | 2007806-5   |
|        | 4.5   | 2007806-4   |
|        | 5.5   | 2007806-3   |
|        | 4.9   | 2007806-2   |
|        | 4.5   | 2007806-1   |
| FINISH | DIM M | PART NUMBER |

REFER TO WWW.TE.COM  
FOR PRODUCT AVAILABILITY

|  |  |                     |         |                  |                 |
|--|--|---------------------|---------|------------------|-----------------|
| THIS DRAWING IS A CONTROLLED DOCUMENT.   |  | DWN<br>J. K. SHOBER | 26DECT1 |                  | TE Connectivity |
| DIMENSIONS:<br>mm  |  | CHK<br>J. EARY      | 26DECT1 |                  | NAME            |
| TOLERANCES UNLESS OTHERWISE SPECIFIED:<br>9 PLC ±<br>7 PLC ±0.25<br>5 PLC ±0.13<br>4 PLC ±<br>ANGLES ± |  | APVD<br>J. EARY     | 26DECT1 | PRODUCT SPEC     |                 |
| MATERIAL<br>-  |  | FINISH<br>SEE TABLE |         | APPLICATION SPEC |                 |
|  |  | WEIGHT<br>-         |         | SIZE             | A100779         |
|  |  | CUSTOMER DRAWING    |         | DRAWING NO       | C=2007806       |
|  |  |                     |         | RESTRICTED TO    | -               |
|  |  |                     |         | SCALE            | 5:1             |
|  |  |                     |         | SHEET            | 2 OF 2          |
|  |  |                     |         | REV              | C               |

## X-ON Electronics

Largest Supplier of Electrical and Electronic Components

*Click to view similar products for [High Speed/Modular Connectors](#) category:*

*Click to view products by [TE Connectivity](#) manufacturer:*

Other Similar products are found below :

[650827-1](#) [74040-1346](#) [1410191-1](#) [1410368-3](#) [1410964-2](#) [1410326-3](#) [1410367-3](#) [1410971-4](#) [1467833-1](#) [2000877-1](#) [2000878-1](#) [2041314-1](#)  
[2065387-1](#) [2187307-1](#) [163P](#) [1934290-1](#) [2000875-1](#) [2065917-1](#) [2102736-2](#) [FSR-40](#) [2169868-2](#) [22354-8](#) [437-5040-000](#) [5-1393565-0](#) [039-](#)  
[0246-000](#) [0761601016](#) [0784461022](#) [10123159-12ELF](#) [030-2415-003/100 PK](#) [030-7380-004](#) [030-2494-001](#) [532939-1](#) [5532901-3](#) [3-1469268-](#)  
[7](#) [74748-102LF](#) [73670-0247](#) [10041743-101LF](#) [10066670-100002LF](#) [1-533915-1](#) [249-4515-000](#) [7-1469373-3](#) [DL2-2J/S](#) [2000713-8](#)  
[2000713-7](#) [10124313-101LF](#) [3011-21](#) [757105208](#) [EBTF-4-10-2.0-S-RA-1](#) [430305-001](#) [4395800100](#)