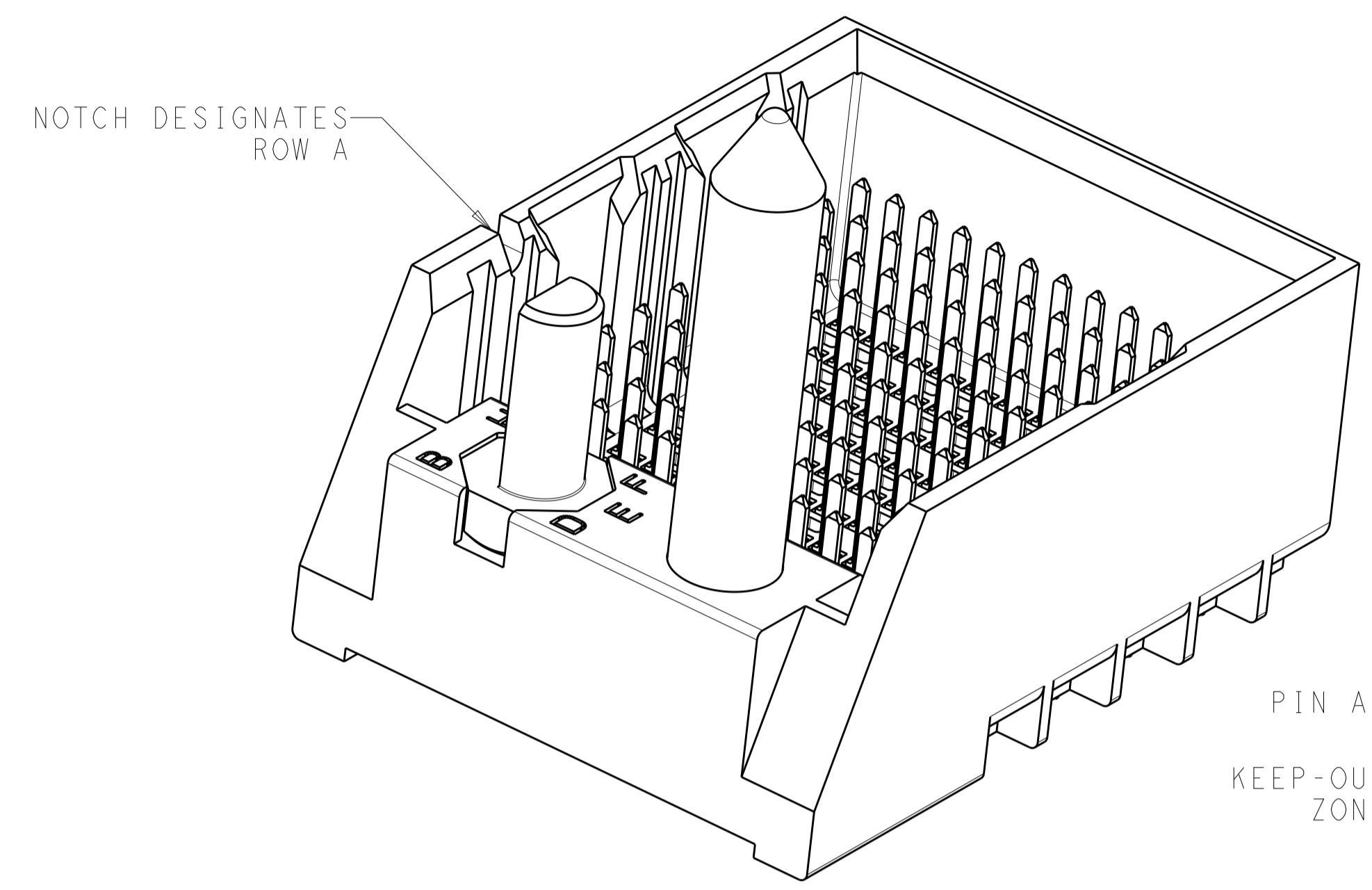
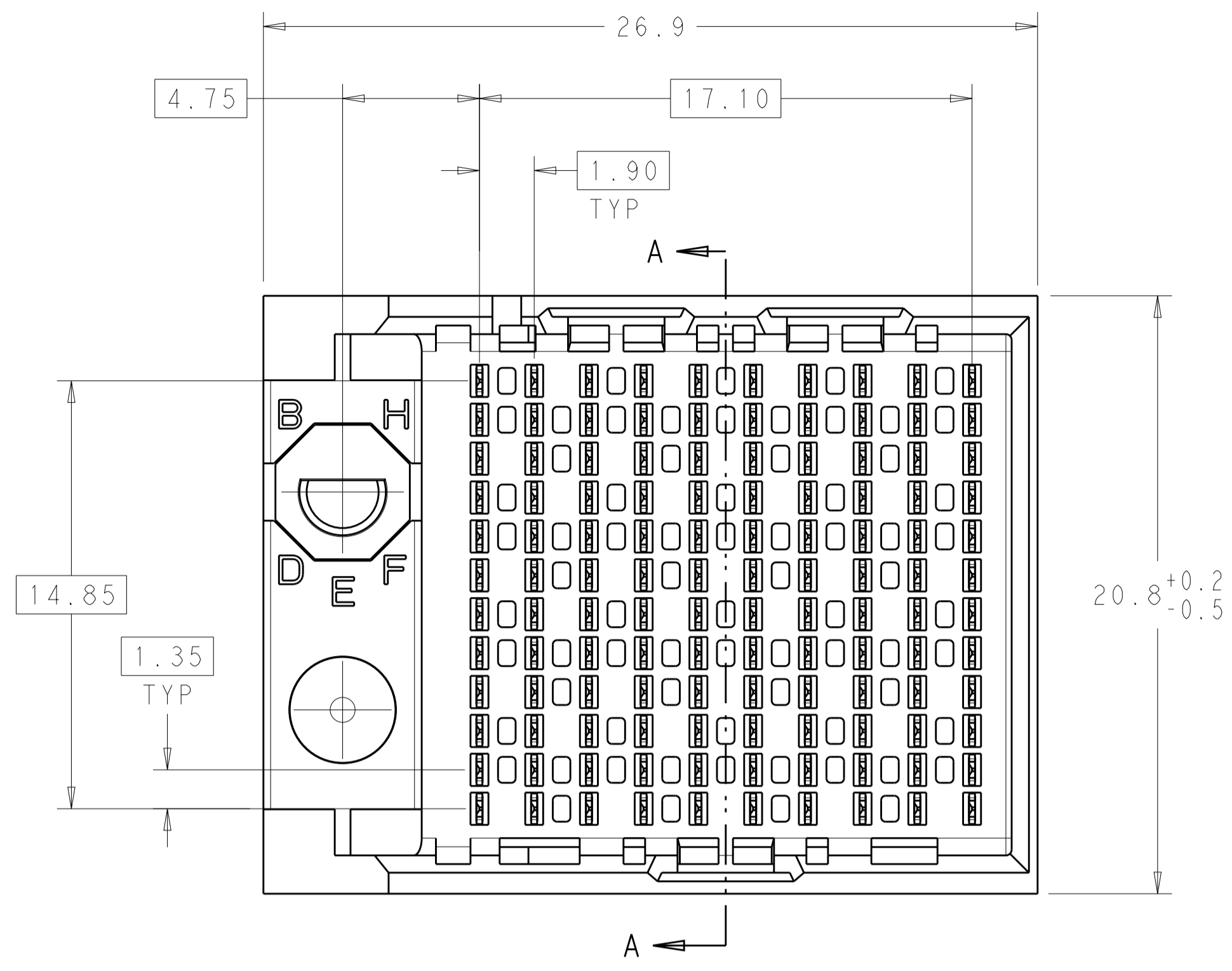
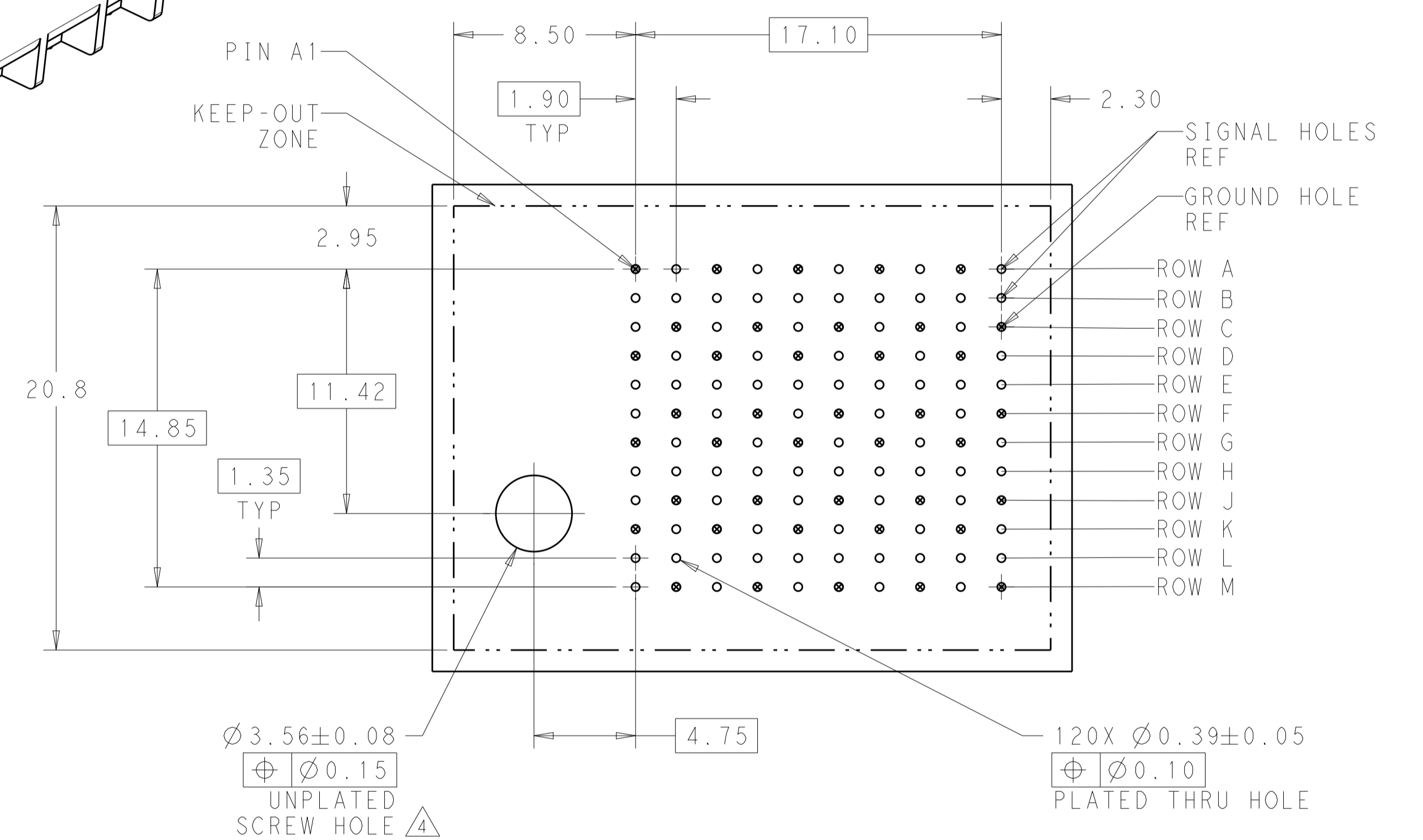


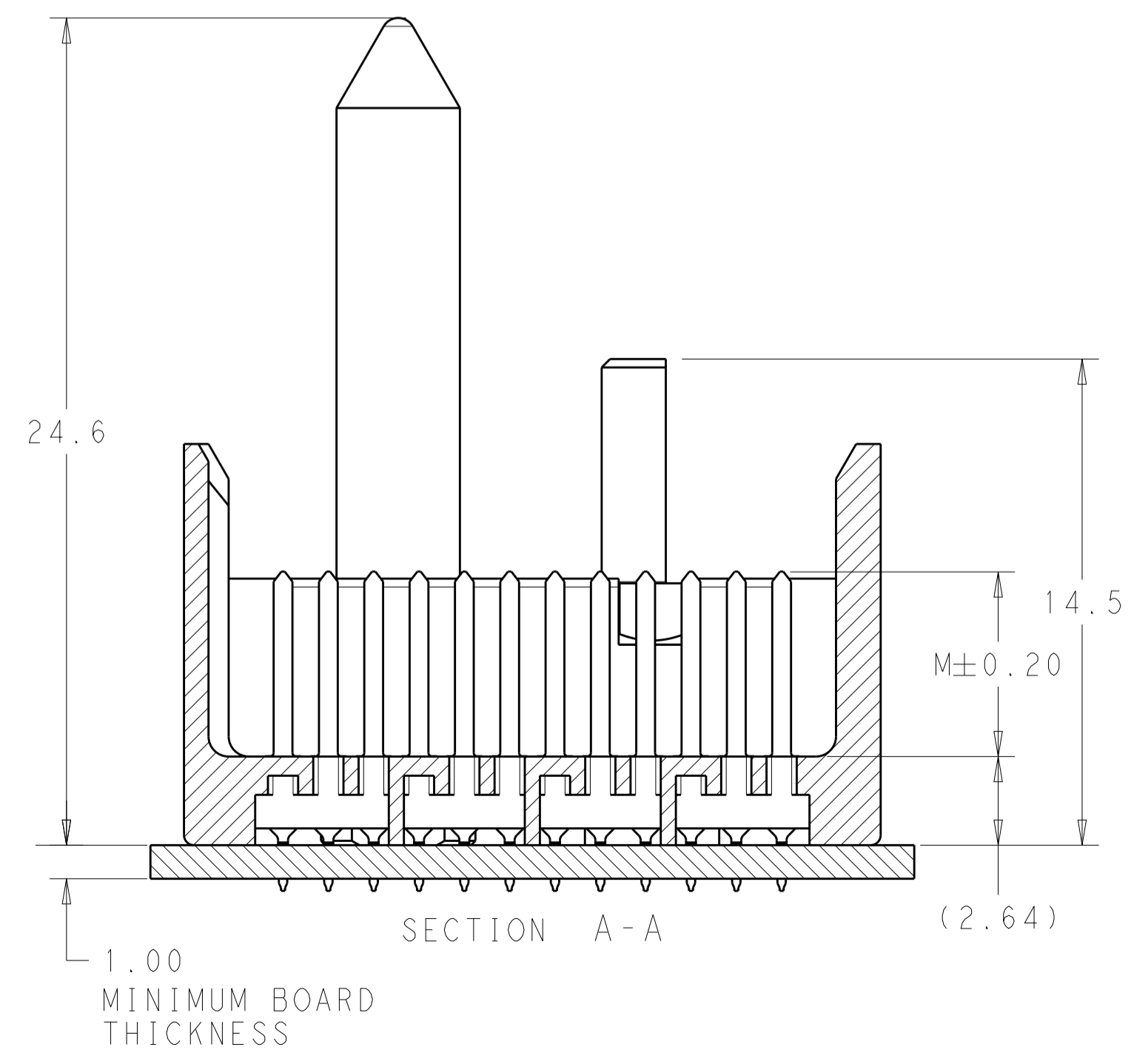
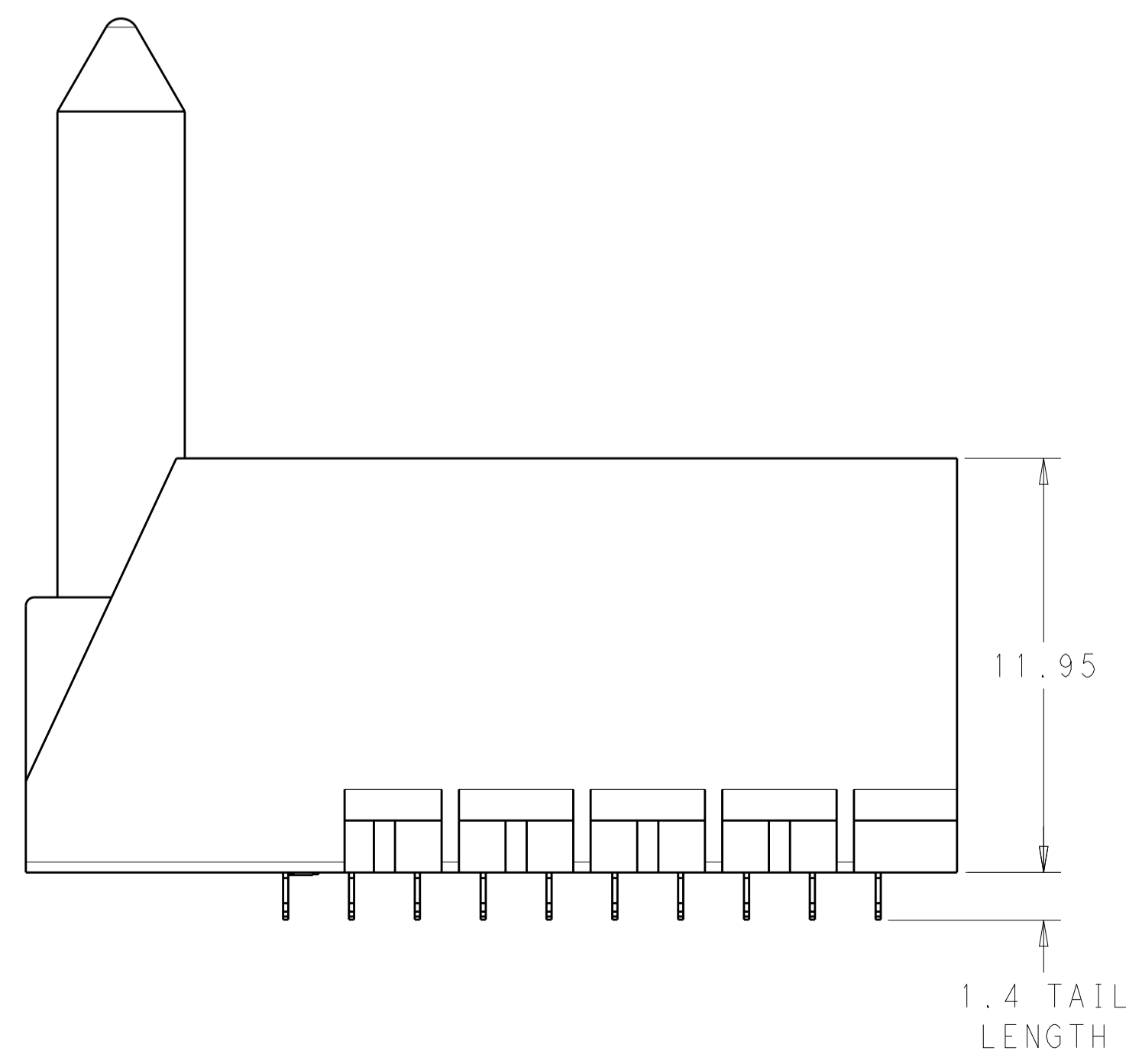
| LOC | | DIST | | REVISIONS | | | |
|-----|----|------|-----|---------------------------|-----------|-----|------|
| AD | 00 | P | LTN | DESCRIPTION | DATE | DWN | APVD |
| | | B1 | | REVISED PER ECO-15-001494 | 04FEB2015 | AP | DD |



- ⚠ MATERIAL:
HOUSING: LCP, GLASS FILLED, UL94V-0.
TERMINALS: HIGH PERFORMANCE COPPER ALLOY.
- ⚠ FINISH:
30μ" MIN GOLD IN CONTACT AREA. SELECTIVE TIN ON PCB TAILS, NICKEL OVERALL.
- 3. SCREWS PACKAGED IN END OF PACKAGING TUBE.
- ⚠ FOR GROUNDED GUIDE PIN USE Ø3.56±0.08 PTH, Ø3.66 DRILL, AND Ø6.5 PAD
- 5. KEYING PIN SHOWN IN POSITION A, SEE KEYING CHART ON SHEET 2 FOR OTHER POSITIONS.



LEFT GUIDED BACKPLANE HOLE PATTERN (CONNECTOR SIDE)



| | | | |
|--|--|--------------------------|---|
| THIS DRAWING IS A CONTROLLED DOCUMENT. | | DWN J. K. SHOBER 27DEC11 | TE Connectivity |
| DIMENSIONS: mm | | CHK J. EARY 27DEC11 | |
| TOLERANCES UNLESS OTHERWISE SPECIFIED: | | APVD J. EARY 27DEC11 | NAME: IMPACT, 4 PAIR, 10 COLUMN, HEADER LEFT GUIDED, RIGHT END WALL SIGNAL MODULE, 0.39 PTH |
| 0 PLC ±0.25 | | PRODUCT SPEC | |
| 1 PLC ±0.13 | | APPLICATION SPEC | SIZE: CAGE CODE DRAWING NO: A100779 ©=2007811 WEIGHT: - CUSTOMER DRAWING |
| 2 PLC ±0.10 | | SCALE: 6:1 | |
| 3 PLC ±0.08 | | SHEET 1 OF 2 | |
| 4 PLC ±0.05 | | REV: B1 | |
| ANGLES ±0.5 | | | |
| FINISH: SEE TABLE | | | |

THIS DRAWING IS UNPUBLISHED. RELEASED FOR PUBLICATION 20
 © COPYRIGHT 20 . ALL RIGHTS RESERVED.

| LOC | | DIST | | REVISIONS | | | |
|-----|----|------|-----|-------------|------|-----|------|
| AD | 00 | P | LTN | DESCRIPTION | DATE | DWN | APVD |
| | | - | | SEE SHEET 1 | | - | - |
| | | | | | | | |
| | | | | | | | |



| | | | |
|--------|--------------|-------|-------------|
| | H | 5.5 | 8-2007811-3 |
| | H | 4.9 | 8-2007811-2 |
| | H | 4.5 | 8-2007811-1 |
| | G | 5.5 | 7-2007811-3 |
| | G | 4.9 | 7-2007811-2 |
| | G | 4.5 | 7-2007811-1 |
| | F | 5.5 | 6-2007811-3 |
| | F | 4.9 | 6-2007811-2 |
| | F | 4.5 | 6-2007811-1 |
| | E | 5.5 | 5-2007811-3 |
| | E | 4.9 | 5-2007811-2 |
| | E | 4.5 | 5-2007811-1 |
| | D | 5.5 | 4-2007811-3 |
| | D | 4.9 | 4-2007811-2 |
| | D | 4.5 | 4-2007811-1 |
| | C | 5.5 | 3-2007811-3 |
| | C | 4.9 | 3-2007811-2 |
| | C | 4.5 | 3-2007811-1 |
| | B | 5.5 | 2-2007811-3 |
| | B | 4.9 | 2-2007811-2 |
| | B | 4.5 | 2-2007811-1 |
| | A | 5.5 | 1-2007811-3 |
| | A | 4.9 | 1-2007811-2 |
| | A | 4.5 | 1-2007811-1 |
| | - | 5.5 | 2007811-3 |
| | - | 4.9 | 2007811-2 |
| | - | 4.5 | 2007811-1 |
| FINISH | KEY POSITION | DIM M | PART NUMBER |

REFER TO WWW.TE.COM
FOR PRODUCT AVAILABILITY

| | | | |
|---|--|---------------------------|--|
| THIS DRAWING IS A CONTROLLED DOCUMENT. | | DWN J. K. SHOBER 27DECT11 | |
| DIMENSIONS: mm | | CHK J. EARY 27DECT11 | |
| TOLERANCES UNLESS OTHERWISE SPECIFIED: | | APVD J. EARY 27DECT11 | NAME IMPACT, 4 PAIR, 10 COLUMN, HEADER LEFT GUIDED, RIGHT END WALL SIGNAL MODULE, 0.39 PTH |
| 0 PLC ±0.25 1 PLC ±0.13 2 PLC ±0.13 3 PLC ±0.13 4 PLC ±0.13 ANGLES ±0.13 | | PRODUCT SPEC | |
| MATERIAL | | APPLICATION SPEC | SIZE CAGE CODE DRAWING NO RESTRICTED TO |
| FINISH SEE TABLE | | WEIGHT | A100779C=2007811 |
| CUSTOMER DRAWING | | SCALE 5:1 | SHEET 2 OF 2 REV B1 |

X-ON Electronics

Largest Supplier of Electrical and Electronic Components

Click to view similar products for [High Speed/Modular Connectors](#) category:

Click to view products by [TE Connectivity](#) manufacturer:

Other Similar products are found below :

[650827-1](#) [74040-1346](#) [1410191-1](#) [1410368-3](#) [1410964-2](#) [1410326-3](#) [1410367-3](#) [1410971-4](#) [1467833-1](#) [2000877-1](#) [2000878-1](#) [2041314-1](#)
[2065387-1](#) [2187307-1](#) [163P](#) [1934290-1](#) [2000875-1](#) [2065917-1](#) [2102736-2](#) [FSR-40](#) [2169868-2](#) [22354-8](#) [437-5040-000](#) [5-1393565-0](#) [039-](#)
[0246-000](#) [0740618502](#) [0761601016](#) [0784461022](#) [10123159-12ELF](#) [030-2415-003/100 PK](#) [030-7380-004](#) [030-2494-001](#) [532939-1](#) [5532901-](#)
[3](#) [3-1469268-7](#) [UMK-SE 11,25-1](#) [74748-102LF](#) [10041743-101LF](#) [10066670-100002LF](#) [1-533915-1](#) [249-4515-000](#) [7-1469373-3](#) [DL2-2J/S](#)
[2000713-8](#) [2000713-7](#) [10124313-101LF](#) [3011-21](#) [757105208](#) [430305-001](#) [4395800100](#)