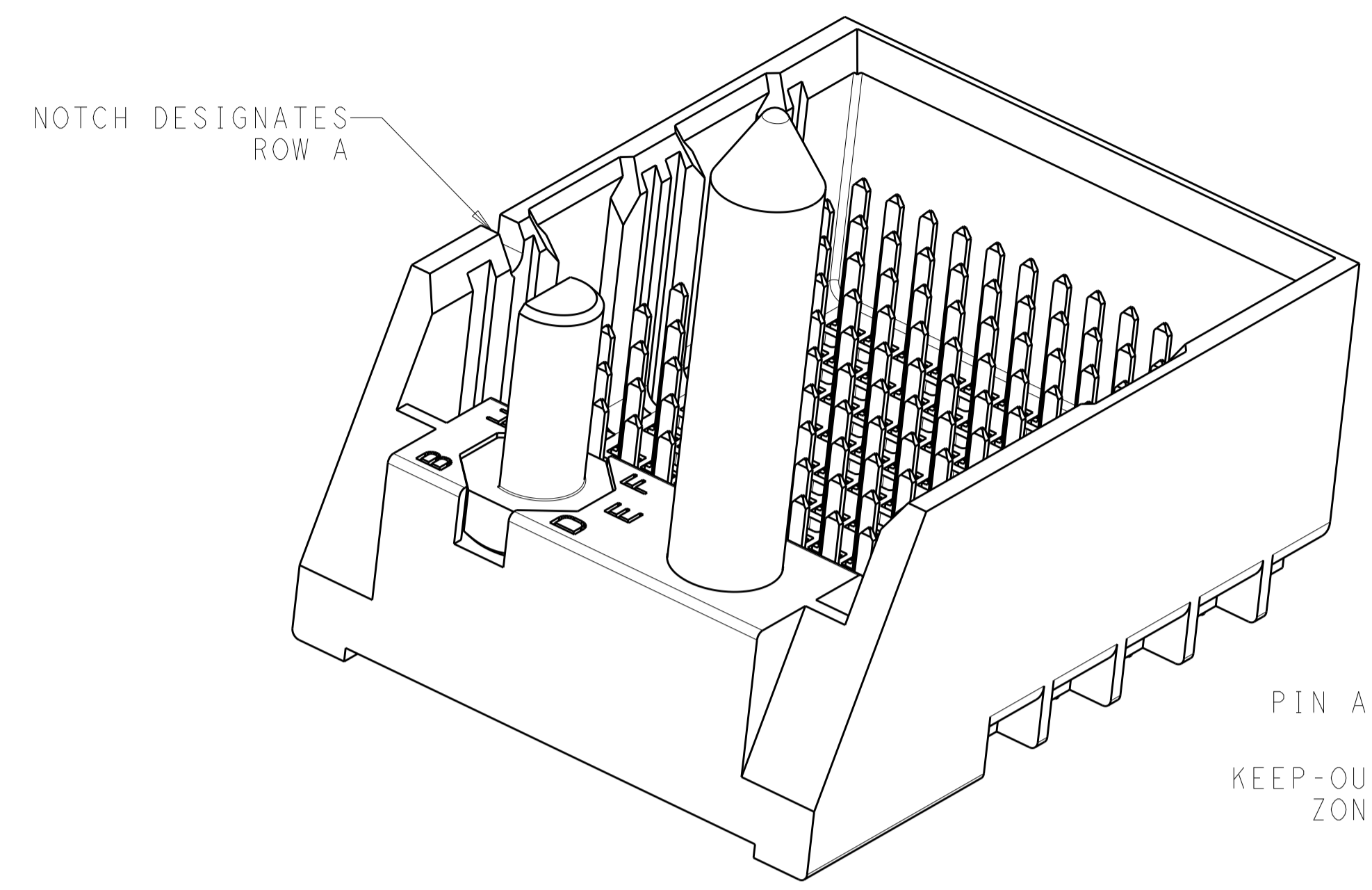
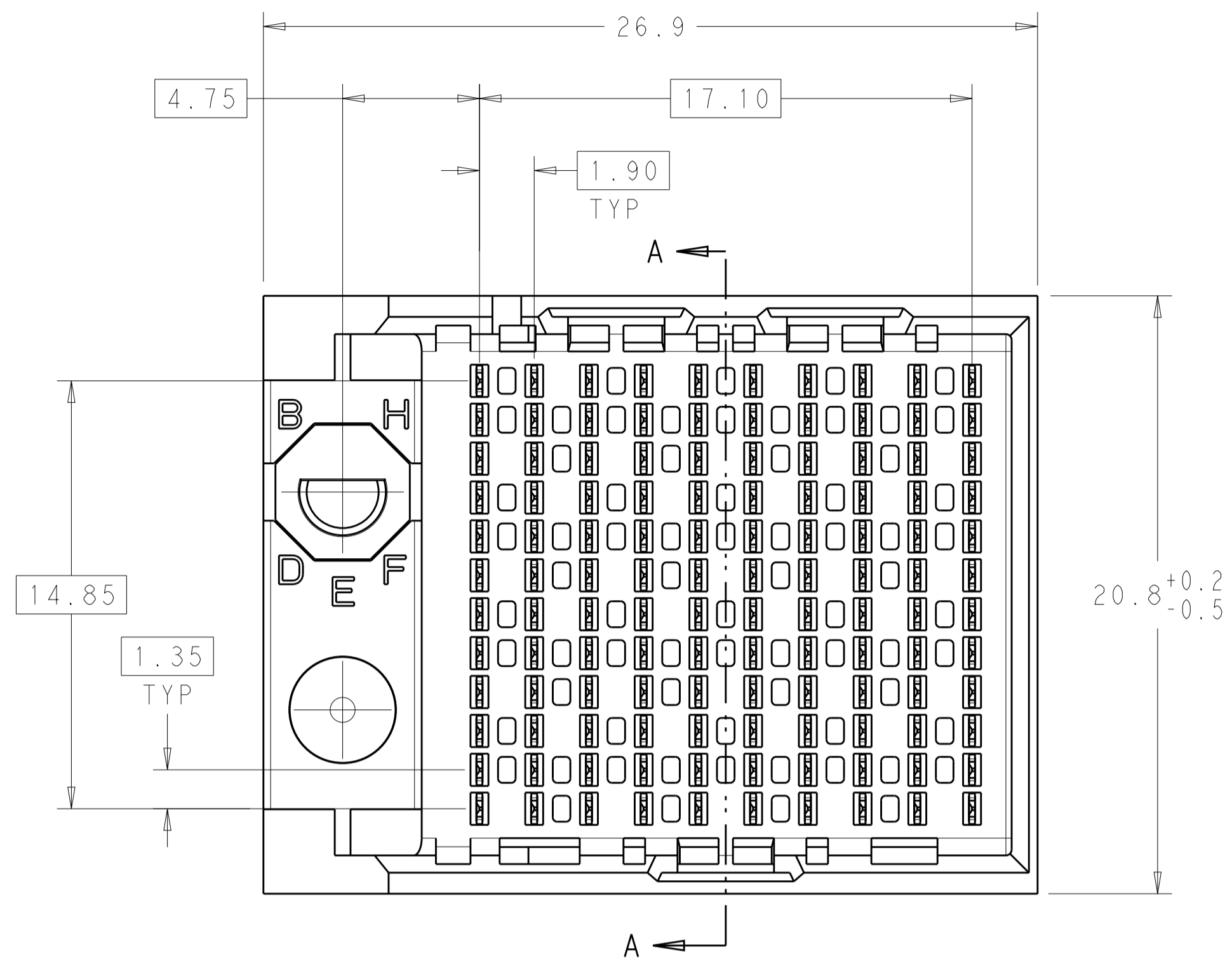
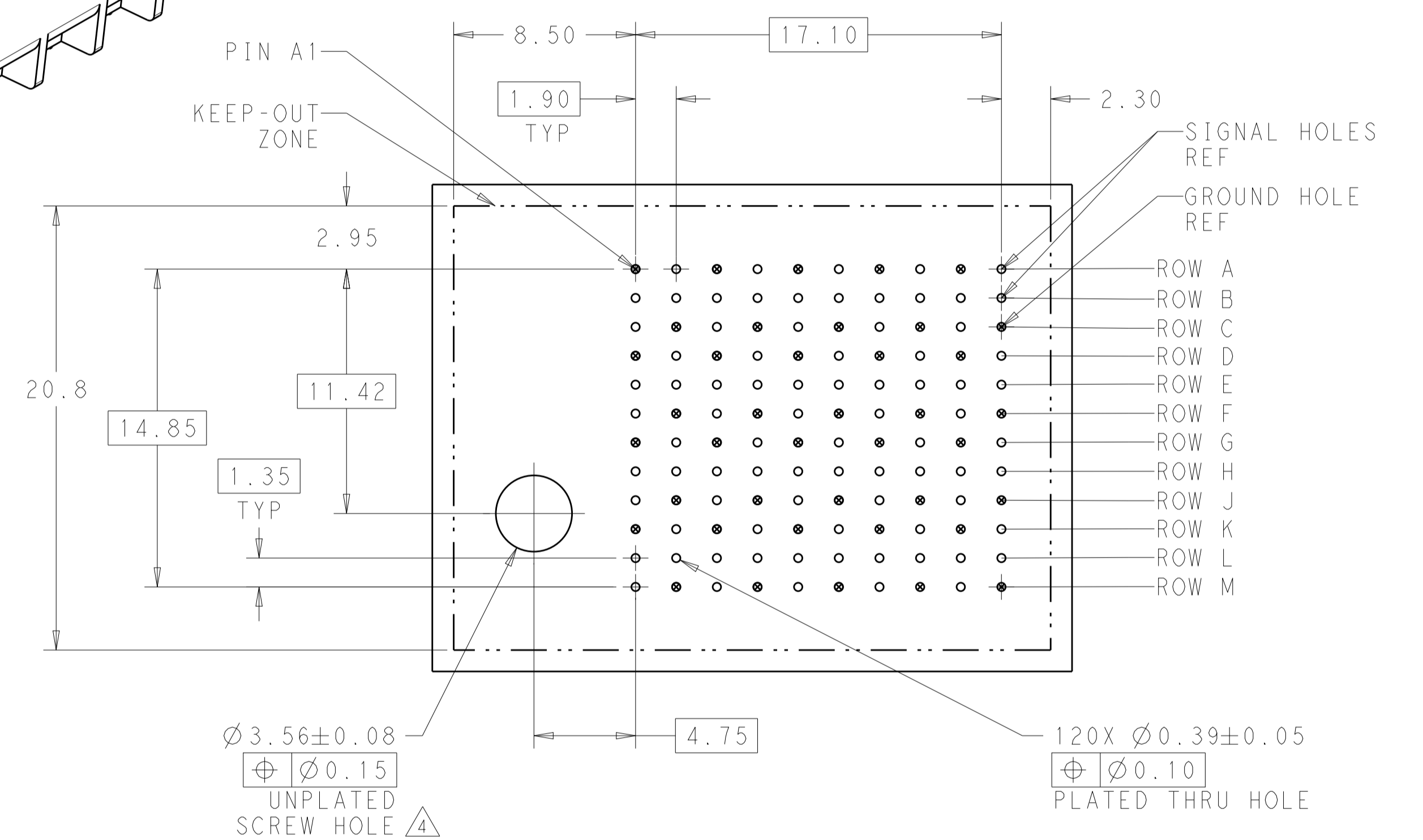


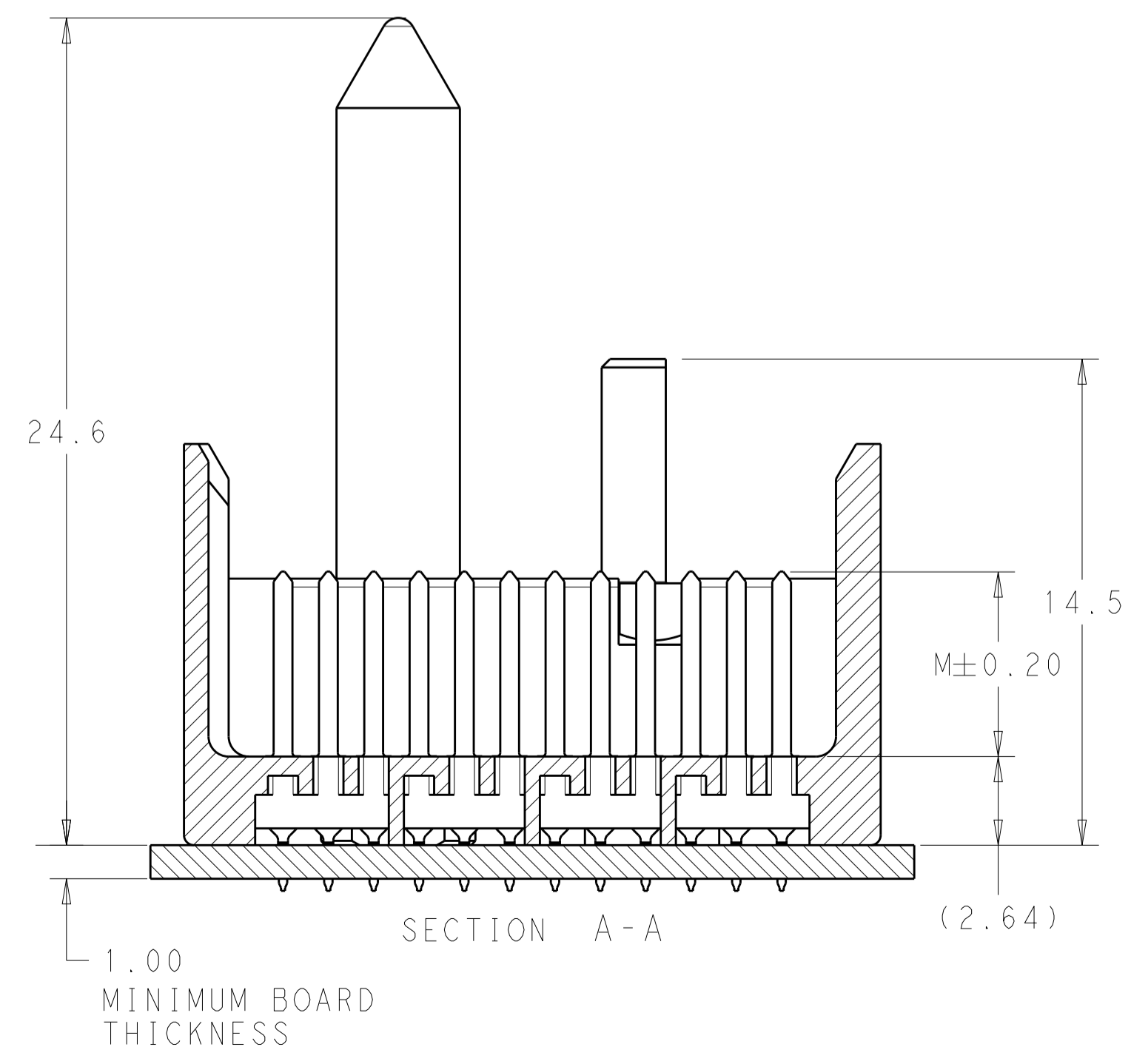
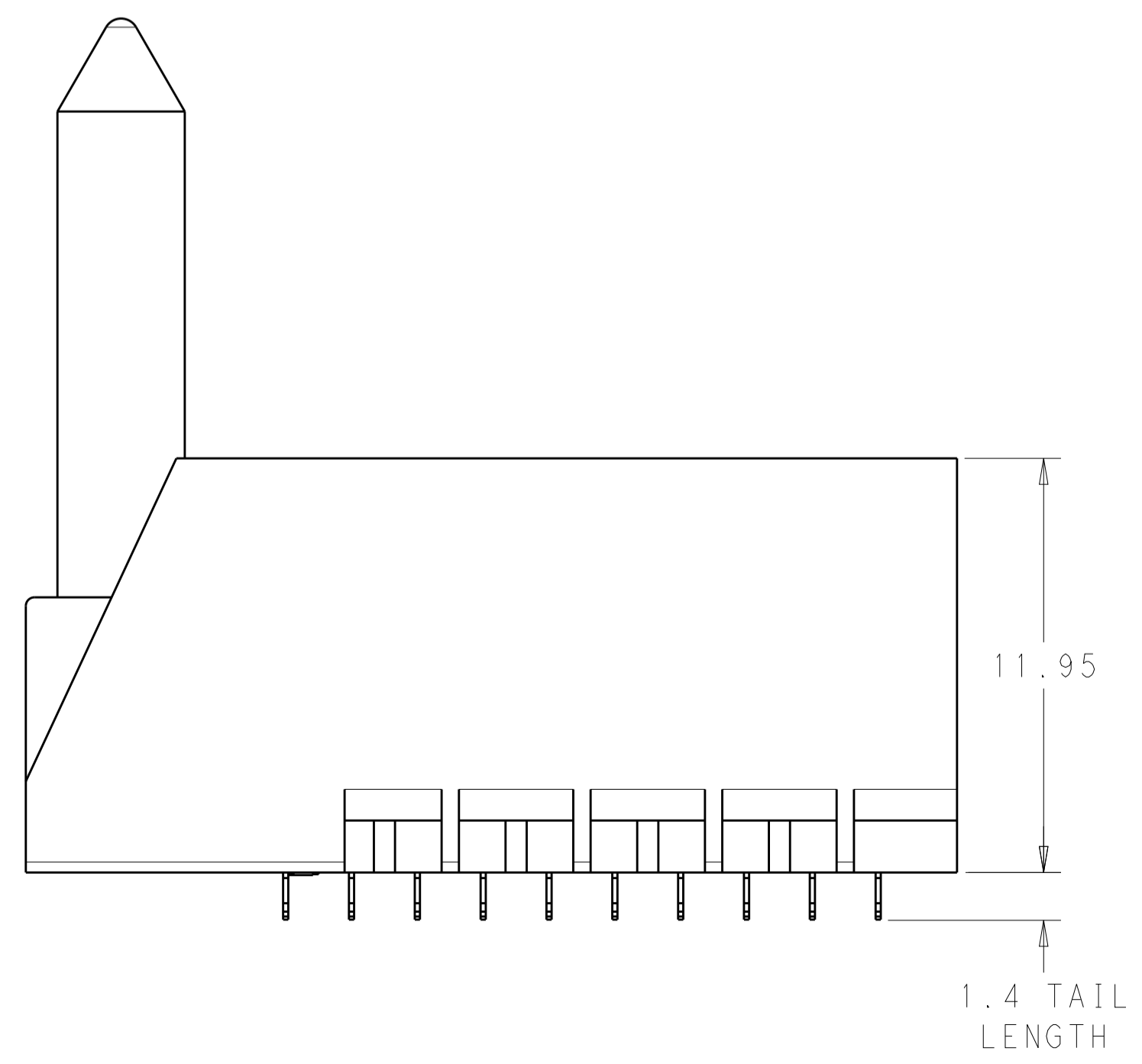
| LOC | | DIST | | REVISIONS | | | |
|-----|-----|---------------------------|-----------|-----------|----|--|--|
| P | LTN | DATE | DMN | APVD | | | |
| B1 | | REVISED PER ECO-15-001494 | 04FEB2015 | AP | DD | | |



- ⚠ MATERIAL:
HOUSING: LCP, GLASS FILLED, UL94V-0.
TERMINALS: HIGH PERFORMANCE COPPER ALLOY.
- ⚠ FINISH:
30μ" MIN GOLD IN CONTACT AREA. SELECTIVE TIN ON PCB TAILS, NICKEL OVERALL.
- 3. SCREWS PACKAGED IN END OF PACKAGING TUBE.
- ⚠ FOR GROUNDED GUIDE PIN USE Ø3.56±0.08 PTH, Ø3.66 DRILL, AND Ø6.5 PAD
- 5. KEYING PIN SHOWN IN POSITION A, SEE KEYING CHART ON SHEET 2 FOR OTHER POSITIONS.



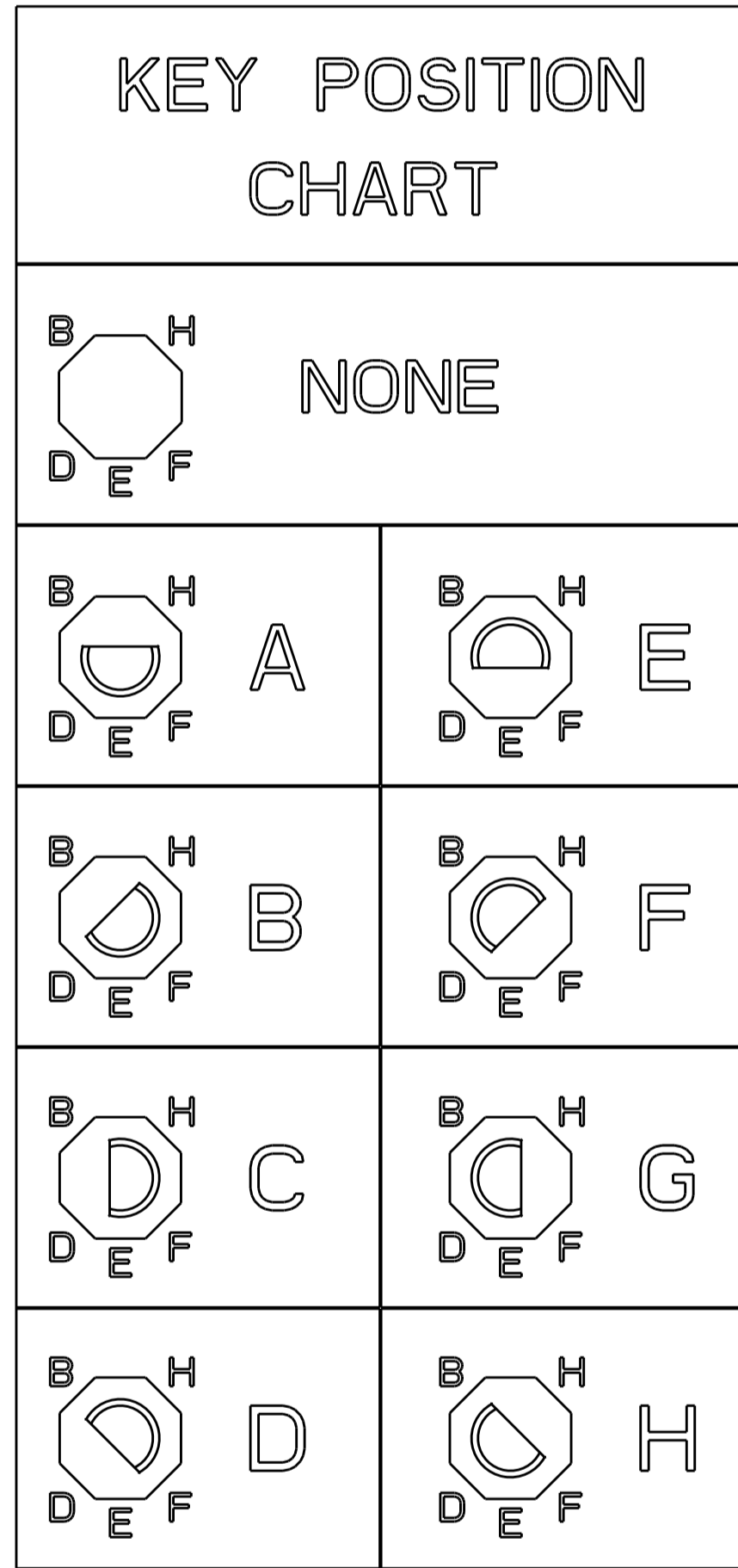
LEFT GUIDED BACKPLANE HOLE PATTERN (CONNECTOR SIDE)



| | | | |
|---|--|---------------------------|---|
| THIS DRAWING IS A CONTROLLED DOCUMENT. | | DMN: J. K. SHOBER 27DEC11 | TE Connectivity |
| DIMENSIONS: mm | | CHK: J. EARY 27DEC11 | |
| TOLERANCES UNLESS OTHERWISE SPECIFIED: | | APVD: J. EARY 27DEC11 | NAME: IMPACT, 4 PAIR, 10 COLUMN, HEADER LEFT GUIDED, RIGHT END WALL SIGNAL MODULE, 0.39 PTH |
| 0 PLC ±0.25 1 PLC ±0.13 2 PLC ±0.13 3 PLC ±0.13 4 PLC ±0.13 ANGLES ±0.13 | | PRODUCT SPEC | |
| MATERIAL: SEE TABLE | | APPLICATION SPEC | SIZE: A100779C=2007811 |
| FINISH: SEE TABLE | | WEIGHT | RESTRICTED TO |
| SEE TABLE | | CUSTOMER DRAWING | SCALE: 6:1 SHEET 1 OF 2 REV: B1 |

THIS DRAWING IS UNPUBLISHED. RELEASED FOR PUBLICATION 20
 © COPYRIGHT 20 . ALL RIGHTS RESERVED.

| LOC | | DIST | | REVISIONS | | | |
|-----|----|------|-----|-------------|------|-----|------|
| AD | 00 | P | LTN | DESCRIPTION | DATE | DWN | APVD |
| | | - | | SEE SHEET 1 | | - | - |
| | | | | | | | |
| | | | | | | | |



| | | | |
|--------|--------------|-------|-------------|
| | H | 5.5 | 8-2007811-3 |
| | H | 4.9 | 8-2007811-2 |
| | H | 4.5 | 8-2007811-1 |
| | G | 5.5 | 7-2007811-3 |
| | G | 4.9 | 7-2007811-2 |
| | G | 4.5 | 7-2007811-1 |
| | F | 5.5 | 6-2007811-3 |
| | F | 4.9 | 6-2007811-2 |
| | F | 4.5 | 6-2007811-1 |
| | E | 5.5 | 5-2007811-3 |
| | E | 4.9 | 5-2007811-2 |
| | E | 4.5 | 5-2007811-1 |
| | D | 5.5 | 4-2007811-3 |
| | D | 4.9 | 4-2007811-2 |
| | D | 4.5 | 4-2007811-1 |
| | C | 5.5 | 3-2007811-3 |
| | C | 4.9 | 3-2007811-2 |
| | C | 4.5 | 3-2007811-1 |
| | B | 5.5 | 2-2007811-3 |
| | B | 4.9 | 2-2007811-2 |
| | B | 4.5 | 2-2007811-1 |
| | A | 5.5 | 1-2007811-3 |
| | A | 4.9 | 1-2007811-2 |
| | A | 4.5 | 1-2007811-1 |
| | - | 5.5 | 2007811-3 |
| | - | 4.9 | 2007811-2 |
| | - | 4.5 | 2007811-1 |
| FINISH | KEY POSITION | DIM M | PART NUMBER |

REFER TO WWW.TE.COM
FOR PRODUCT AVAILABILITY

| | | | | | |
|--|--|------------------|--------------|---|-------------------------------|
| THIS DRAWING IS A CONTROLLED DOCUMENT. | | DWN | J. K. SHOBER | 27DECT1 | |
| DIMENSIONS: | | CHK | J. EARY | 27DECT1 | |
| mm | TOLERANCES UNLESS OTHERWISE SPECIFIED: | APVD | J. EARY | 27DECT1 | NAME |
| | 0 PLC ± .25 | PRODUCT SPEC | | IMPACT, 4 PAIR, 10 COLUMN, HEADER LEFT GUIDED, RIGHT END WALL SIGNAL MODULE, 0.39 PTH | |
| | 1 PLC ±0.13 | APPLICATION SPEC | | SIZE | CAGE CODE DRAWING NO |
| | 2 PLC ± . | MATERIAL | | A100779C=2007811 | |
| | 3 PLC ± . | FINISH | | WEIGHT | RESTRICTED TO |
| | 4 PLC ± . | SEE TABLE | | CUSTOMER DRAWING | SCALE 5:1 SHEET 2 OF 2 REV B1 |
| | ANGLES ± . | | | | |

X-ON Electronics

Largest Supplier of Electrical and Electronic Components

Click to view similar products for [High Speed/Modular Connectors](#) category:

Click to view products by [TE Connectivity](#) manufacturer:

Other Similar products are found below :

[650827-1](#) [74040-1346](#) [1410191-1](#) [1410368-3](#) [1410964-2](#) [1410326-3](#) [1410367-3](#) [1410971-4](#) [1467833-1](#) [2000877-1](#) [2000878-1](#) [2041314-1](#)
[2065387-1](#) [2187307-1](#) [163P](#) [1934290-1](#) [2000875-1](#) [2065917-1](#) [2102736-2](#) [FSR-40](#) [2169868-2](#) [22354-8](#) [437-5040-000](#) [5-1393565-0](#) [039-](#)
[0246-000](#) [0761601016](#) [0784461022](#) [10123159-12ELF](#) [030-2415-003/100 PK](#) [030-7380-004](#) [030-2494-001](#) [532939-1](#) [5532901-3](#) [3-1469268-](#)
[7](#) [74748-102LF](#) [10041743-101LF](#) [10066670-100002LF](#) [1-533915-1](#) [249-4515-000](#) [7-1469373-3](#) [DL2-2J/S](#) [2000713-8](#) [2000713-7](#)
[10124313-101LF](#) [3011-21](#) [757105208](#) [EBTF-4-10-2.0-S-RA-1](#) [430305-001](#) [4395800100](#) [8140115](#)